

## ADDENDUM NO. 1

TO: PLANS AND SPECIFICATIONS FOR STATE OF MISSOURI

Electrical Renovation and Battery Room  
National Guard – Lambert Airport  
Bridgeton, Missouri  
PROJECT NO. T1736-01

The Bid Opening is not changed: 1:30 PM, Thursday, May 24, 2018

### **GENERAL NOTES/CLARIFICATIONS:**

1. Any Bidding Contractors that would like to visit the facility prior to the Bid Due date may do so by contacting the facility to make an appointment – Mr. McDaniels, 314-423-1325 x15913.
2. No revised Specifications, Drawings or Drawing Sheets are included with this Addendum. All written changes are to be applied, as indicated, to the referenced Drawing Sheet.

### **DRAWING CHANGES:**

#### A. SHEET E-100

1. Modify Demolition note J to read as follows:

J. CONTRACTOR MAY REUSE ALL EXISTING CONDUIT AND WIRING TO THE GREATEST EXTENT POSSIBLE. FOR NEW ELECTRICAL DEVICES AND LIGHTING, PROVIDE NEW CONTROLS PER SHEET E-200.

#### B. SHEET E-200

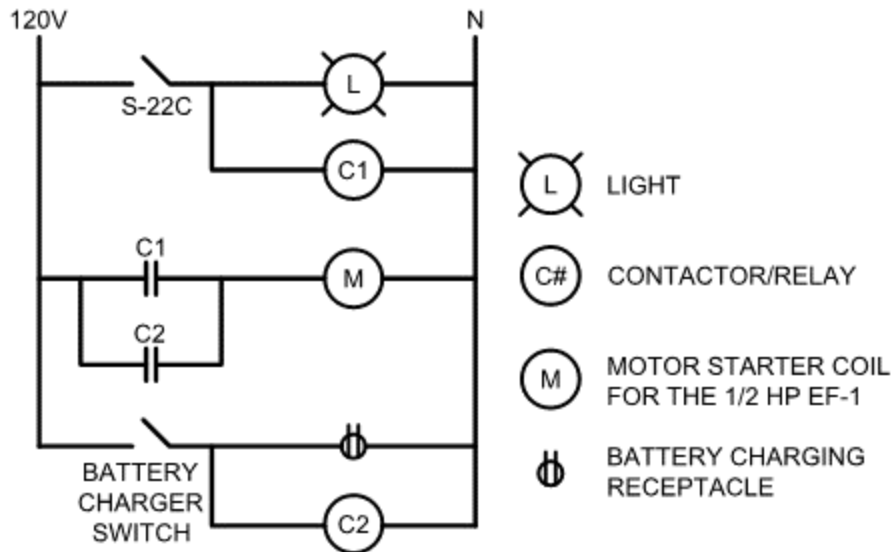
1. Modify Keyed Note 7 to read as follows:

7. PHOTOCELL EXISTING TO REMAIN. CONNECT TO FIXTURES INDICATED.

2. Add General Note H as follows:

H. EXISTING EXPLOSION PROOF SWITCHES WITHIN MAINTENANCE 115 AND 116 TO BE REPLACED WITH NEW WEATHER PROOF SWITCHES AND CIRCUITED PER DETAIL 1/E-200.

3. Modify detail 4/E-200 so that keyed note 3 for the switch is connected to circuit S-22c in lieu of S-20c. The current drawings have this switch connected to S-20C.
4. Delete detail 6/E-200 and replace with the following detail:



# BATTERY ROOM CONTROLS

6  
E-200

SCALE: NTS

Enclosures:  
CASCO Pre-Bid Sign-In Sheet (1 page)

**END ADDENDUM NO.1**

**May 15, 2018**



Architecture + Engineering

Project #T1736-01  
Electrical Renovation and Battery Room  
National Guard – Lambert Airport  
Bridgeton, Missouri  
Pre-Bid Meeting  
Date: 5/9/2018

Sign-In Sheet

Name	Company	Phone	Email
Andy Distler		573-690-4945	
HARRY AUMAN	CASCO	314-821-1100	harry.auman@cascoCorp.com
DAVID WISE	CASCO	314-821-1100	david.wise@cascoCorp.com
GEORGE COREY	PIPE WORK SYSTEMS	636-677-5700	GEORGECOREY@PIPESYSTEMSMECH.COM
MICHAEL PERI	SCHNEIDER	314-201-3307	mperi@SCHNEIDERELEC.COM
Mark Militzer	W.B.E. Aschinger Elec.	314-568-0006	mmilitzer@aschinger.com
JD Jackson	Jackson Building group	314-578-6633	cmjackson@jacksonbuildinggroup.com
Jason Wood	Lexicon Construc	636-699-7411	jwood@lexiconconstruction.com
Kelly Copeland	DA/FMPC	573-522-2283	Kelly.Copeland@ca.mo.gov
Deon Anderson	Anderson & Sons Contracting	314-625-4848	andersonsc2009@gmail.com
Bob Enjeszcs	RESOURCE ELEC	314-620-1859	R.Enjeszcs@grarl.com
Stuart Skillington	Bazan Painting	314-568-7163	sskillington@bazanpainting.com
SHERMAN McCoy	RESOURCE ELECTRICAL	314-599-0987	smccofe@RESOURCEELECTRIC.COM

DBE