



11/06/17

Taylor Structural
Engineering, LLC

3100 Brown Station Rd., Suite A,
Columbia, MO 65202
(573) 886-0833
tse.engrs@gmail.com

Taylor Structural Engineering, LLC
Missouri State Certificate of Authority #202022546



3100 Brown Station Rd., Suite D
Columbia, MO. 65202
(573) 875-0045 Phone
(573) 875-0046 FAX
WWW.MOENGINEERING.COM

Midwest Engineering & Design
Missouri State Certificate of Authority #2010032487

OFFICE OF ADMINISTRATION
DIVISION OF FACILITIES
MANAGEMENT,
DESIGN AND CONSTRUCTION

MISSOURI DEPARTMENT
OF CORRECTIONS

ABATE AND REPLACE
PIPING VARIOUS

MOBERLY CORRECTIONAL
CENTER (I-3)
5201 S. MORLEY STREET
MOBERLY, MO

PROJECT # C1601-01
SITE # 2305
FACILITY # 27250/27265

REVISION: _____
DATE: _____
REVISION: _____
DATE: _____
REVISION: _____
DATE: _____
ISSUE DATE: 11/06/2017

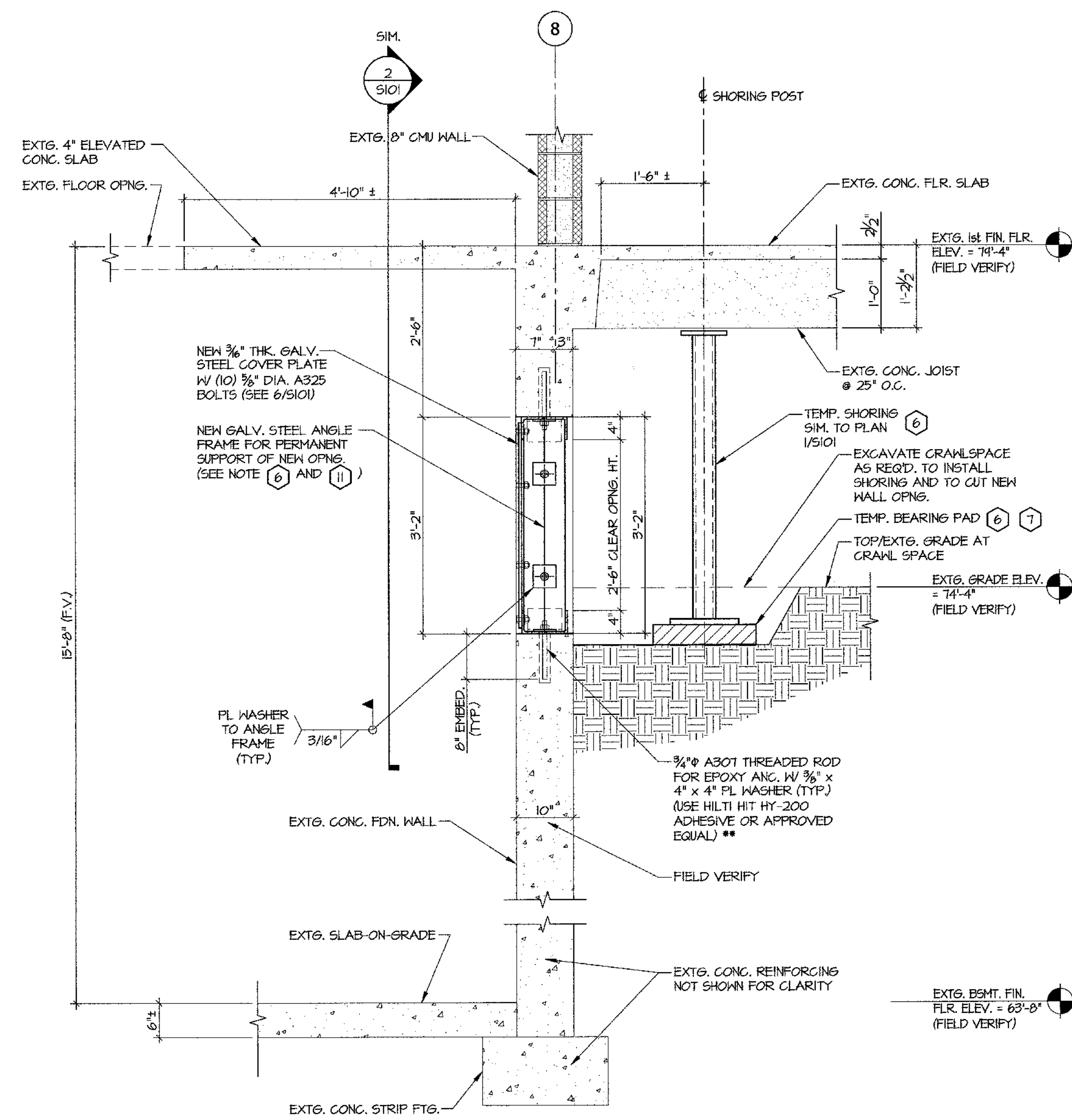
CAD DWG FILE: S102
DRAWN BY: TDT
CHECKED BY: TDT
DESIGNED BY: TDT

SHEET TITLE:
STEEL FRAME FOR
NEW OPENINGS IN
EXTG. FDN. WALL

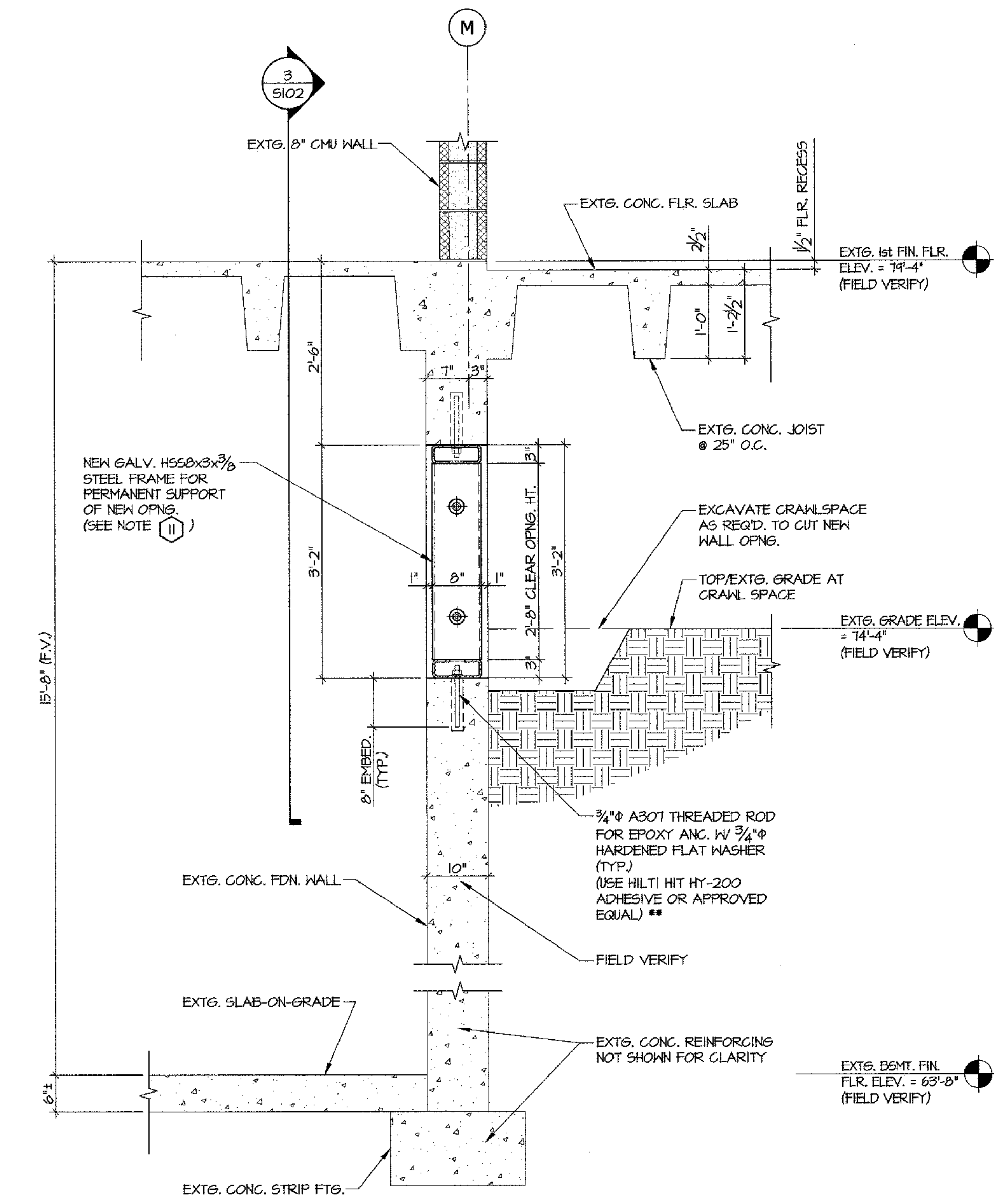
SHEET NUMBER:

S-102

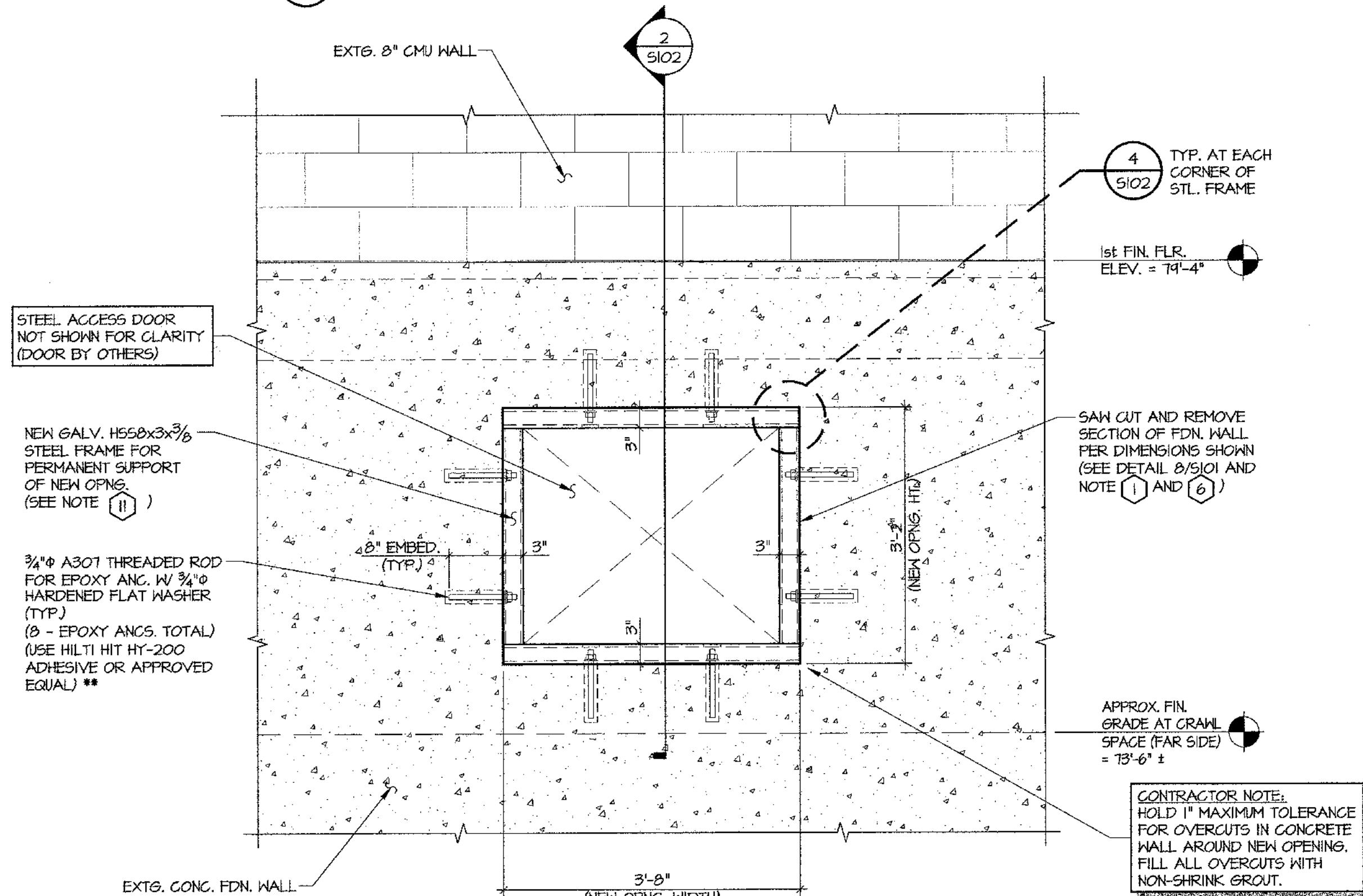
8 OF 30 SHEETS



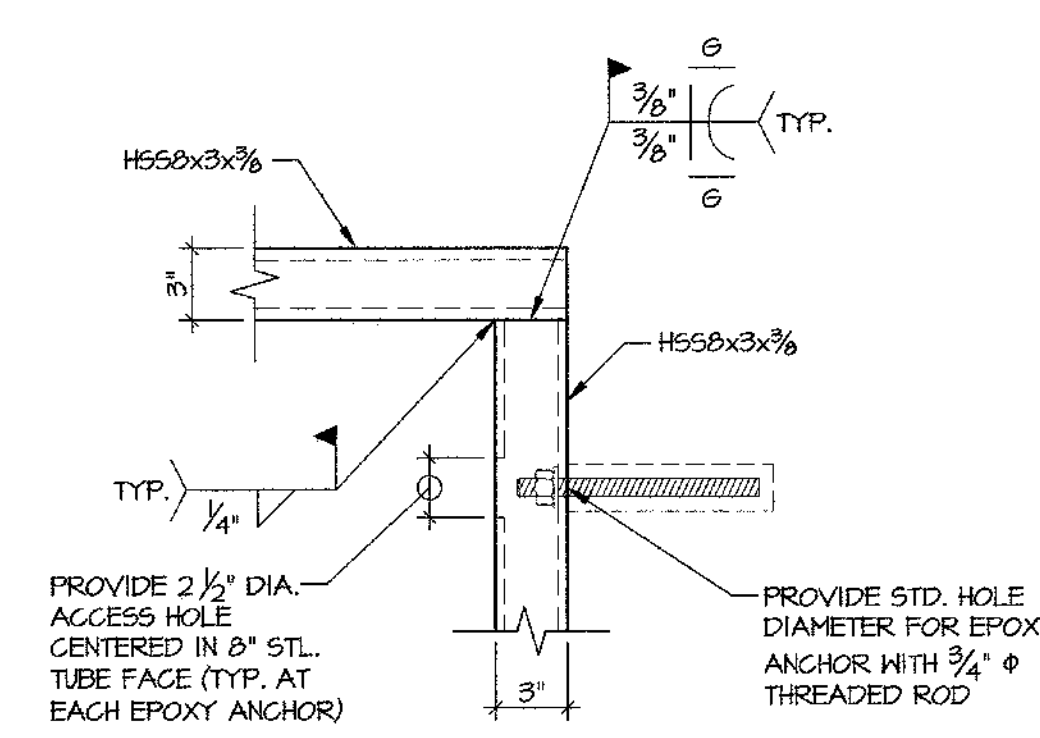
1 FDN. WALL SECTION VIEW AT NEW OPENING
SCALE: 3/4" = 1'-0"



2 FDN. WALL SECTION VIEW AT NEW OPENING
SCALE: 3/4" = 1'-0"



3 FDN. WALL ELEVATION AT NEW OPENING
SCALE: 3/4" = 1'-0"



4 TYP. WELDING DETAIL AT CORNER OF HSS8x3 FRAME
SCALE: 1 1/2" = 1'-0"

** MANUFACTURER / EQUIPMENT LISTED SHALL BE "BASIS-OF-DESIGN";
ACCEPTABLE MANUFACTURERS FOR POST-INSTALLED ANCHORS
SHALL BE HILTI, INC., SIMPSON STRONG-TIE CO., INC., OR POWERS
FASTENERS, INC.

SEE SHEET H-101 FOR NEW OPENING LOCATIONS
WHERE THE SECTIONS ON THIS SHEET APPLY.

CONTRACTOR NOTE:
HOLD 1" MAXIMUM TOLERANCE
FOR OVERCUTS IN CONCRETE
WALL AROUND NEW OPENING.
FILL ALL OVERCUTS WITH
NON-SHRINK GROUT.