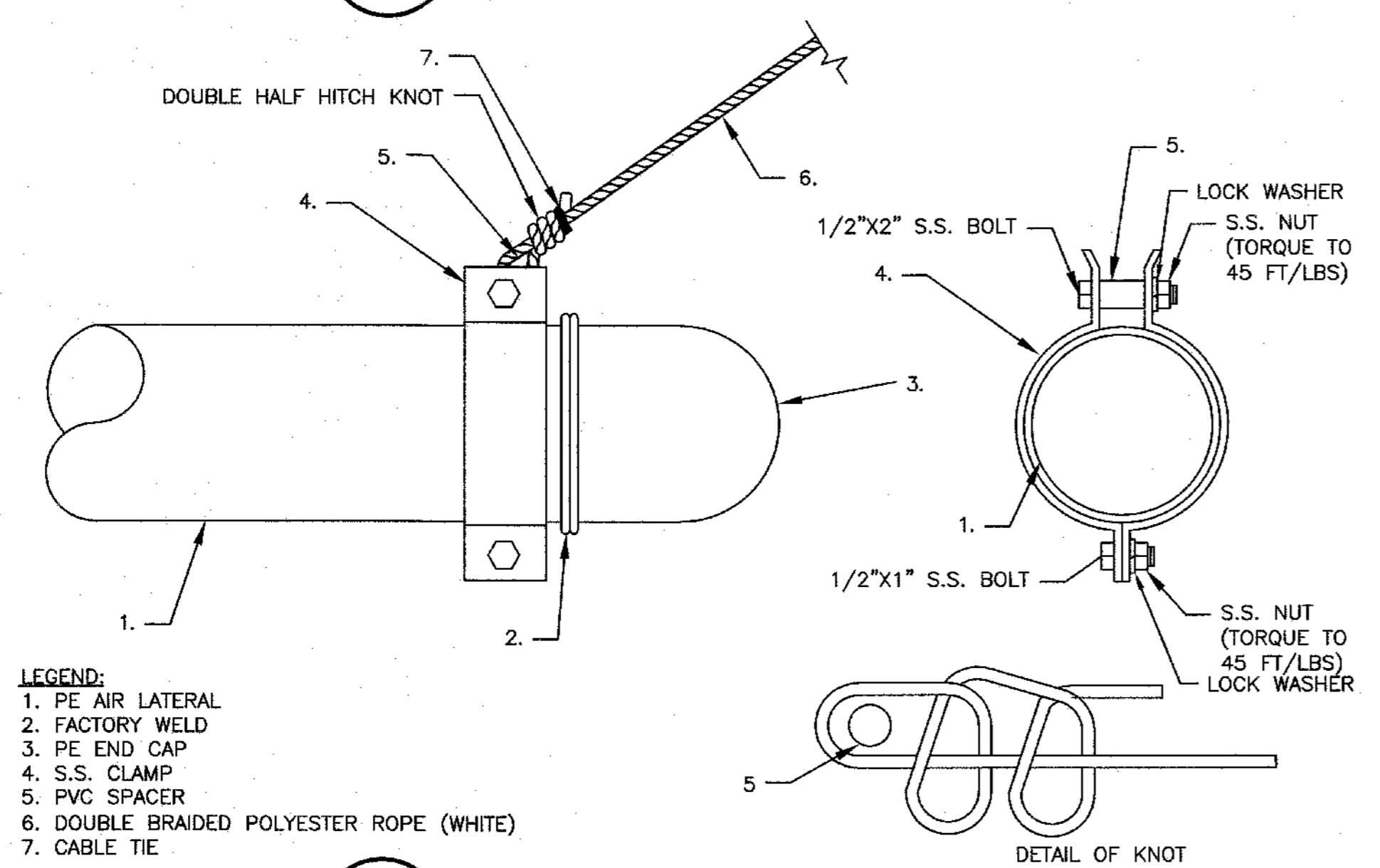
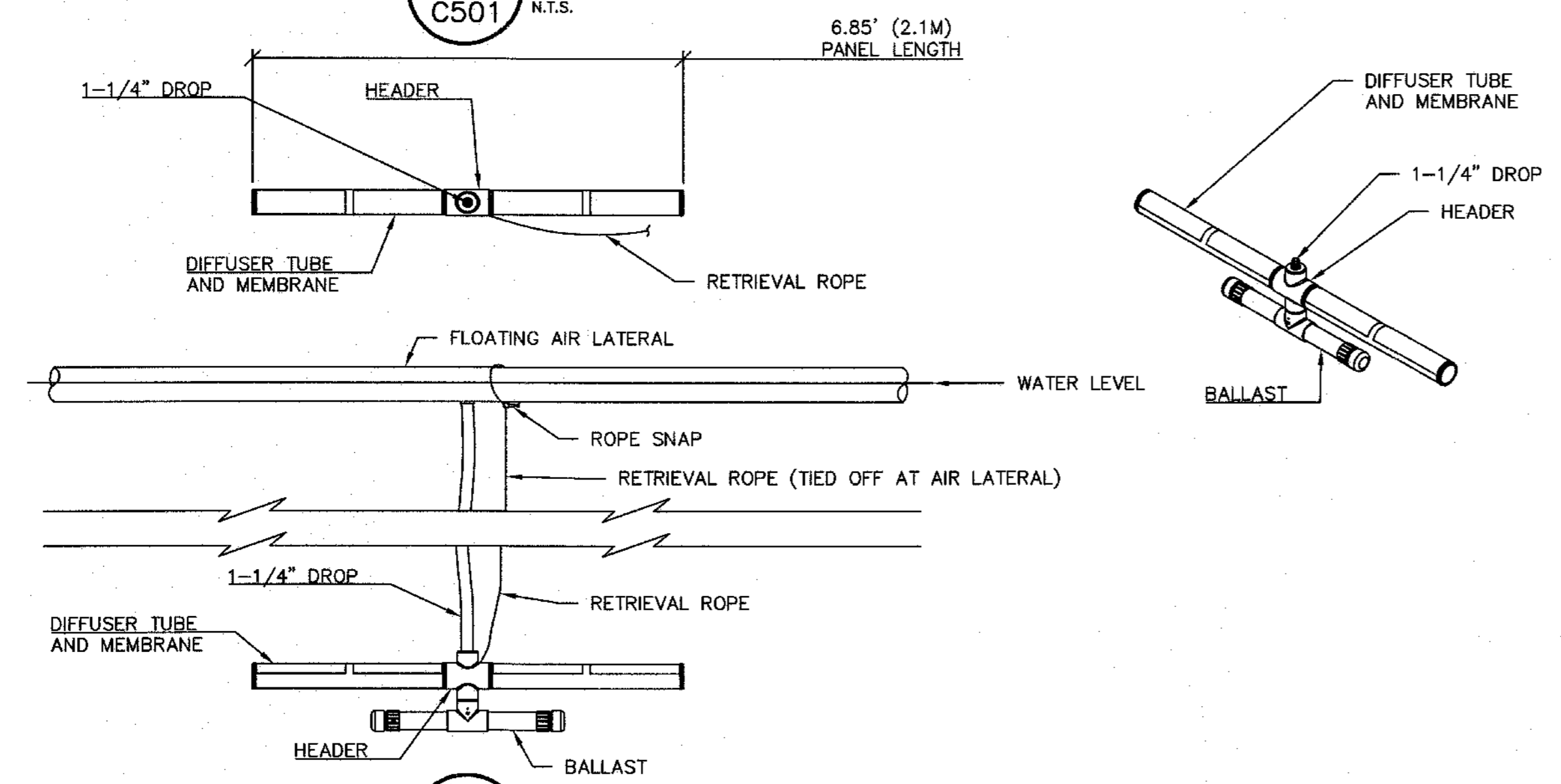


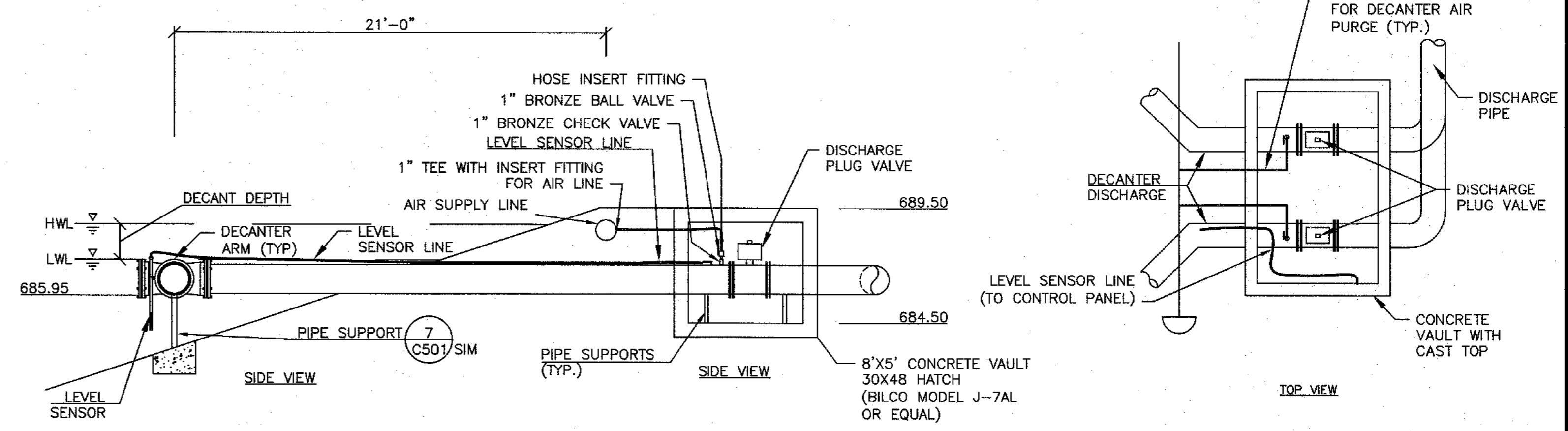
1 DEADMAN ANCHOR
C501 N.T.S.



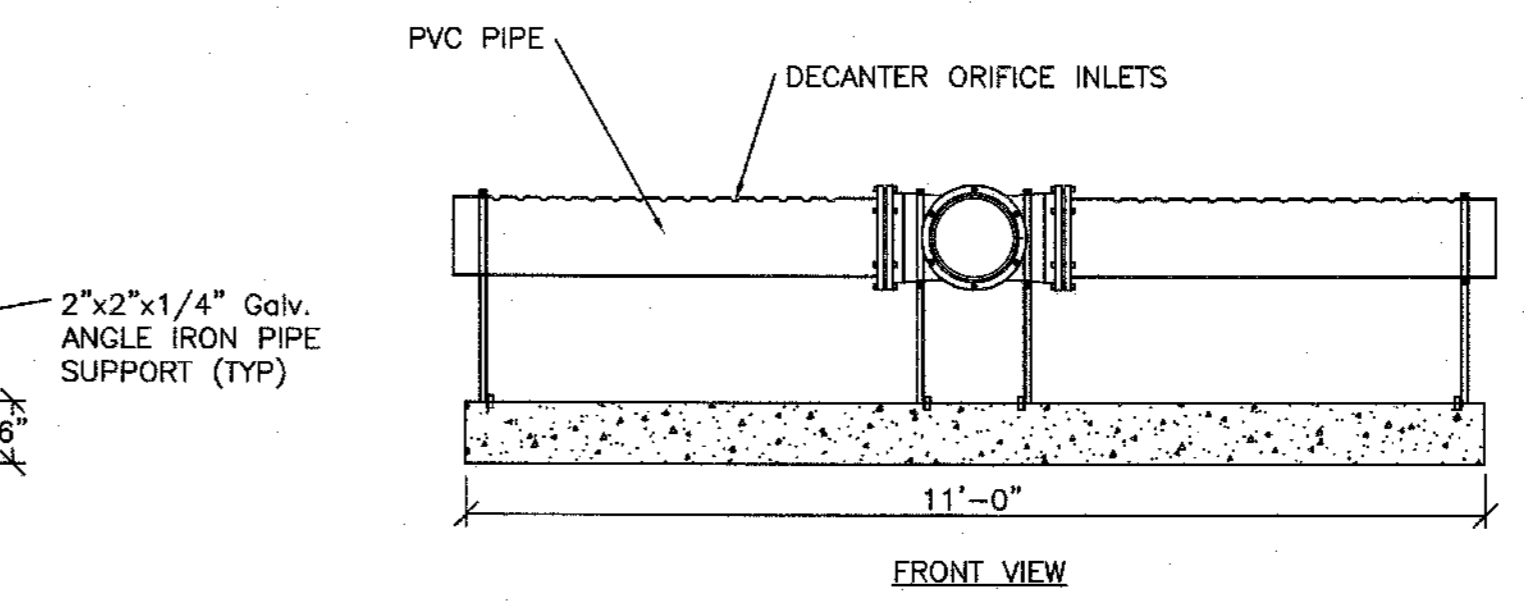
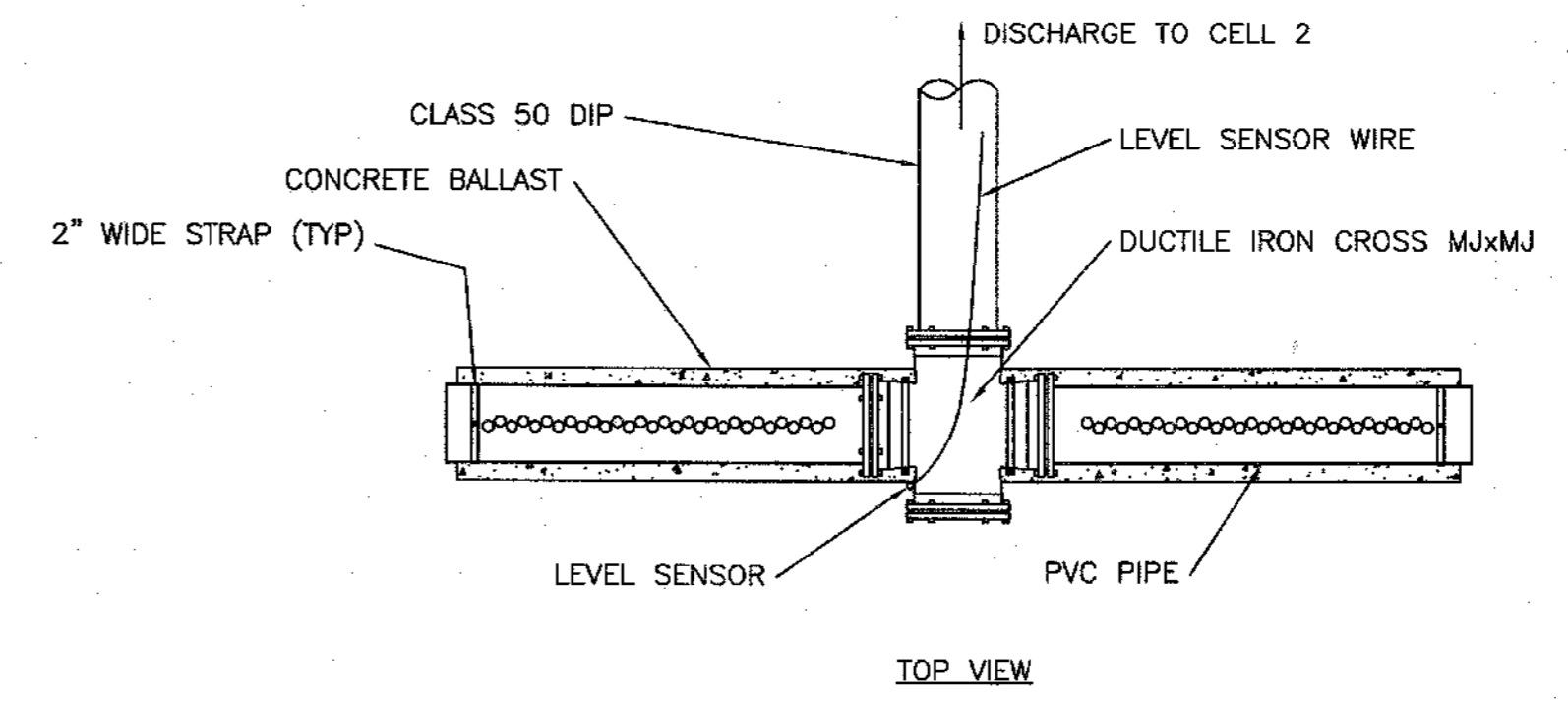
2 TETHER ROPE CONNECTION
C501 N.T.S.



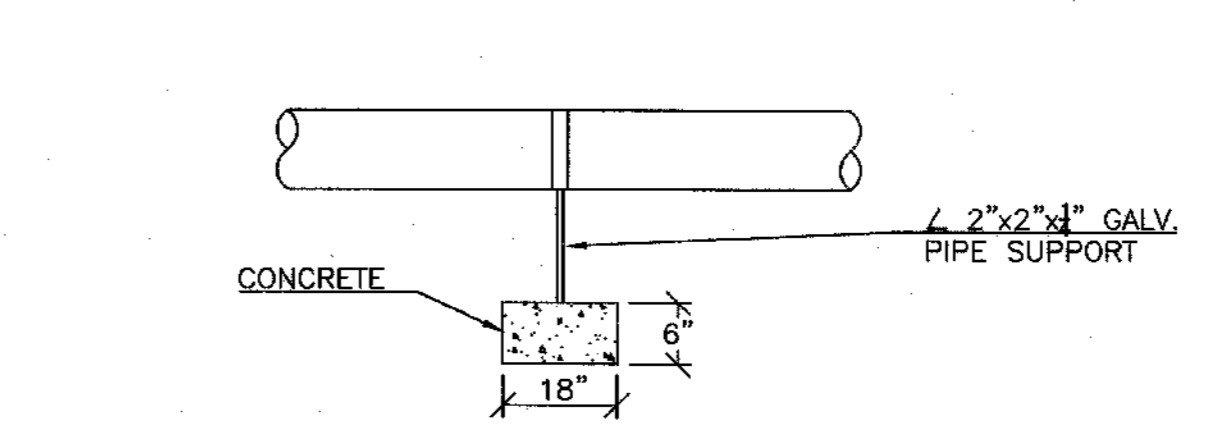
3 SIDE SLOPE DIFFUSER ASSEMBLY
C501 N.T.S.



4 DECANter ACTUATED VALVE DETAIL
C501 N.T.S.

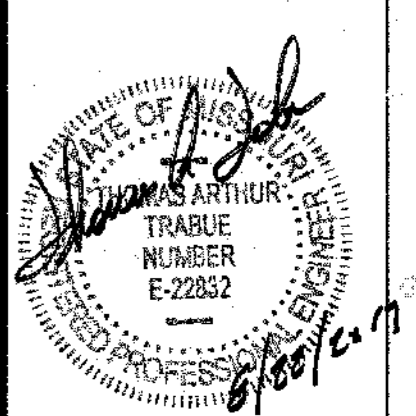


5 DECANter ASSEMBLY
C501 N.T.S.



7 PIPE SUPPORT
C501 N.T.S.

Revisions	No.	Date	Description



Thomas A. Trabue
MO-E 22832
Expires: 12-31-2018

McCLURE
ENGINEERING CO.
building strong communities.
1901 Pennsylvania Drive
Columbia, MO 65202
P 573-814-1568
F 573-814-1128
MISSOURI CERTIFICATE OF AUTHORITY NO. E-2096023253
EXPIRES: DECEMBER 31, 2018

City of Sweet Springs
Wastewater Treatment Improvements
Details

Client Proj # 007380
THHinc Proj # 007380
Engineer: TPW
Designer: TPW
Drafter: GRK
Plotted:

DWG. C501
SHT. 11 OF 15