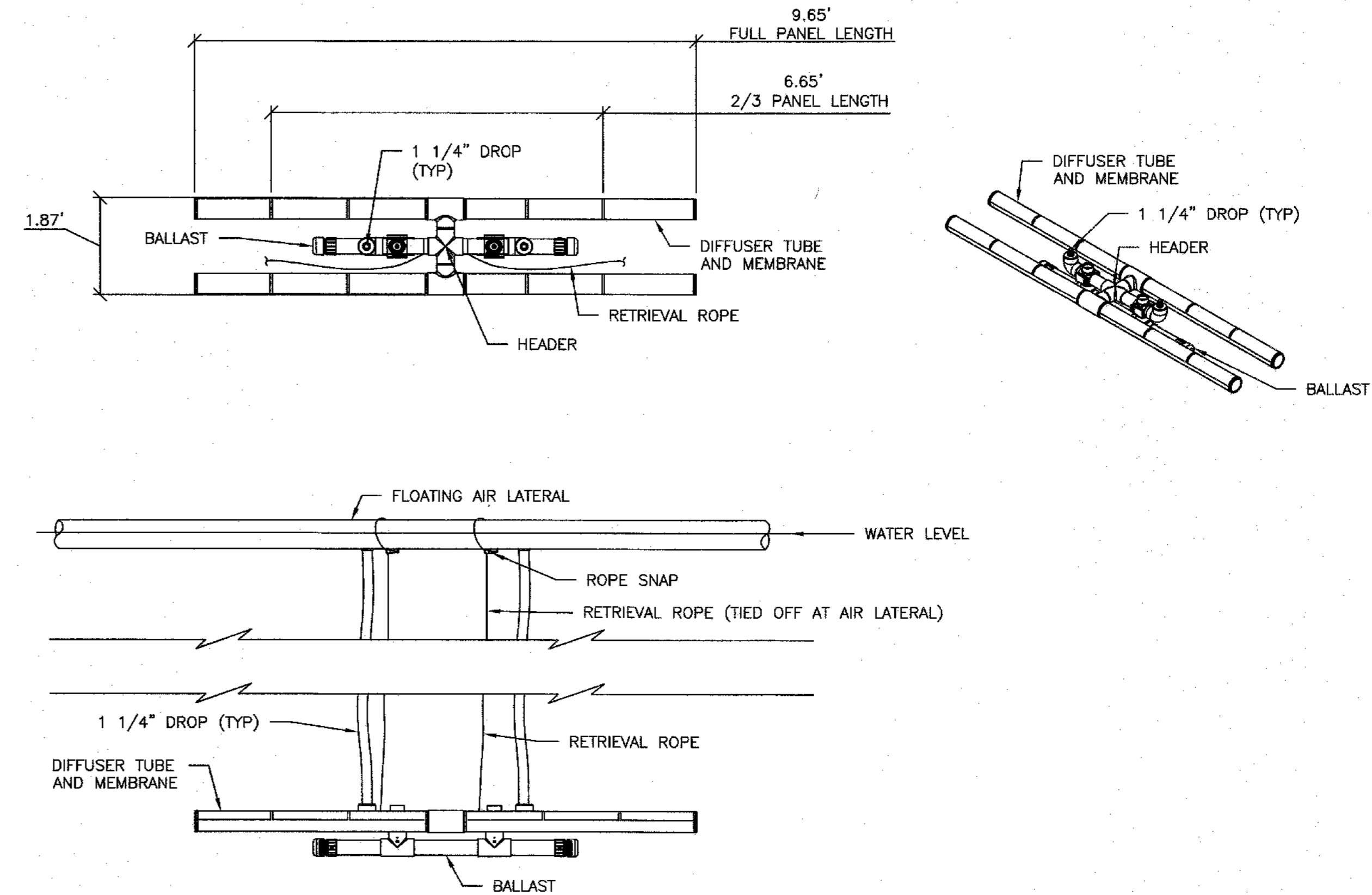
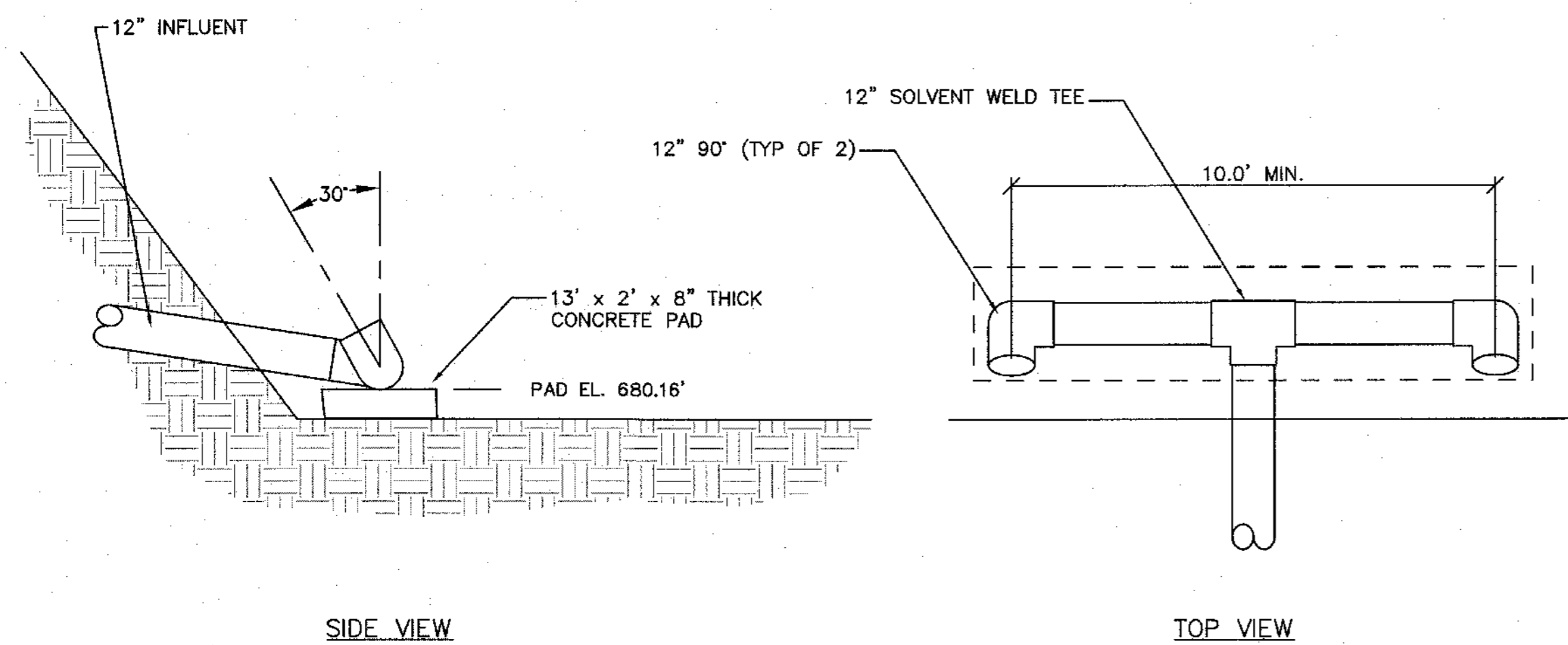


- NOTES:
1. FLANGE CONNECTION TO BE LOCATED AT WATER LEVEL.
  2. BACKUP RING MUST BE ON PE PIPE BEFORE FLANGE ADAPTER IS WELDED TO PE PIPE.
  3. INSURE END OF ROPE IS FUSED AFTER CUTTING PROCESS.

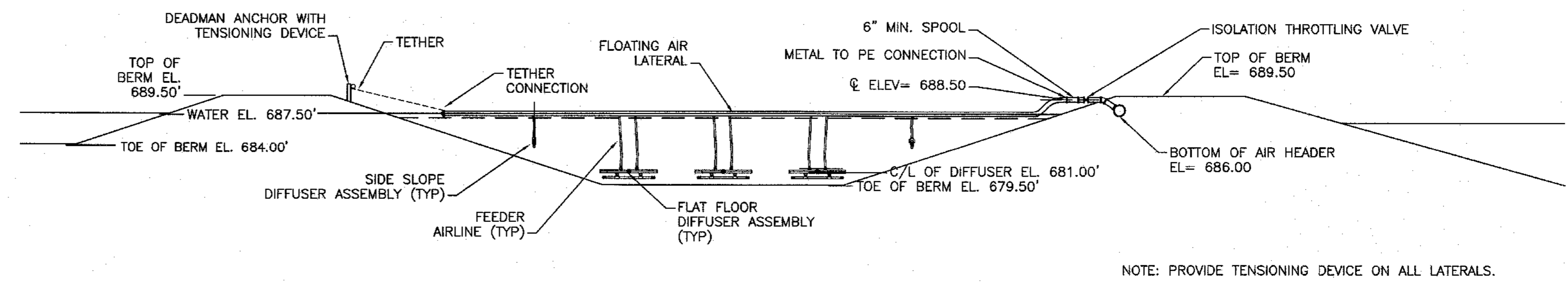
**1 METAL TO PE (Exploded Diagram)**  
C502 N.T.S.



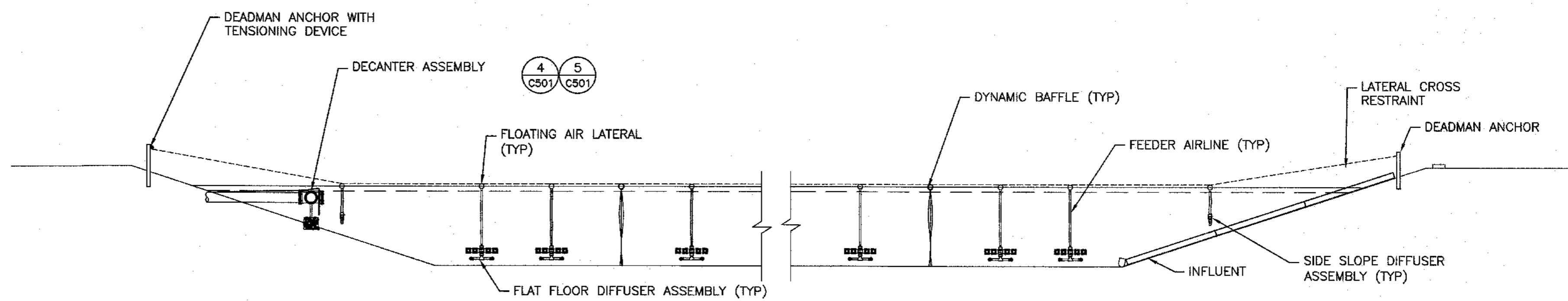
**3 FLAT FLOOR DIFFUSER ASSEMBLY**  
C502 N.T.S.



**2 INLET PIPING**  
C502 N.T.S.

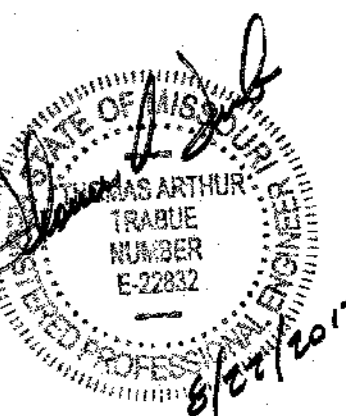


**4 EQUIPMENT CROSS-SECTION**  
C502 N.T.S.



**5 EQUIPMENT CROSS SECTION - LONGITUDINAL**  
C502 N.T.S.

Revisions	No.	Date	Description
	1	12-31-2018	ISSUE REVISIONS



Thomas A. Trube  
MO-E 22832  
Expires: 12-31-2018

**McCLURE**  
ENGINEERING CO.  
building strong communities.  
1901 Pennsylvania Drive  
Columbia, MO 65202  
P 573-814-1568  
F 573-814-1128  
MISSOURI CERTIFICATE OF  
AUTHORITY NO. E-2006023253  
EXPIRES: DECEMBER 31, 2018

City of Sweet Springs  
Wastewater Treatment  
Improvements  
Details

Client Proj # 007380  
THHinc Proj # 007380  
Engineer: TPW  
Designer: TPW  
Drafter: GRK  
Plotted:

DWG. C502  
SHT. 12 OF 15