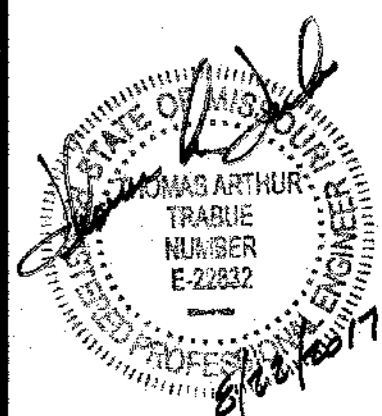


Revisions	No.	Date	Description



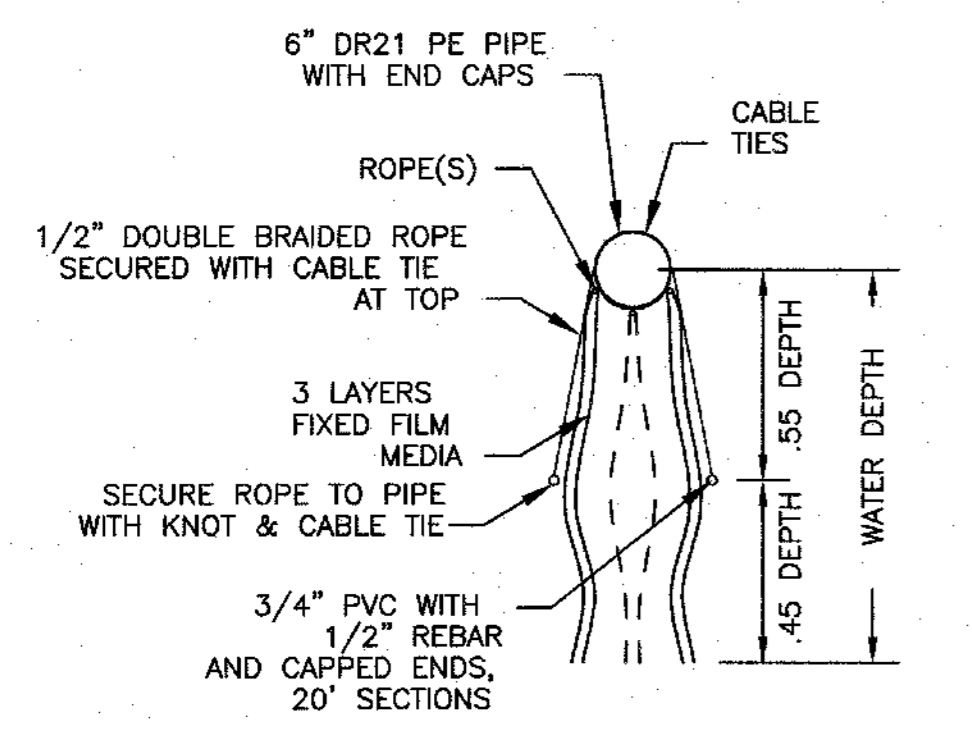
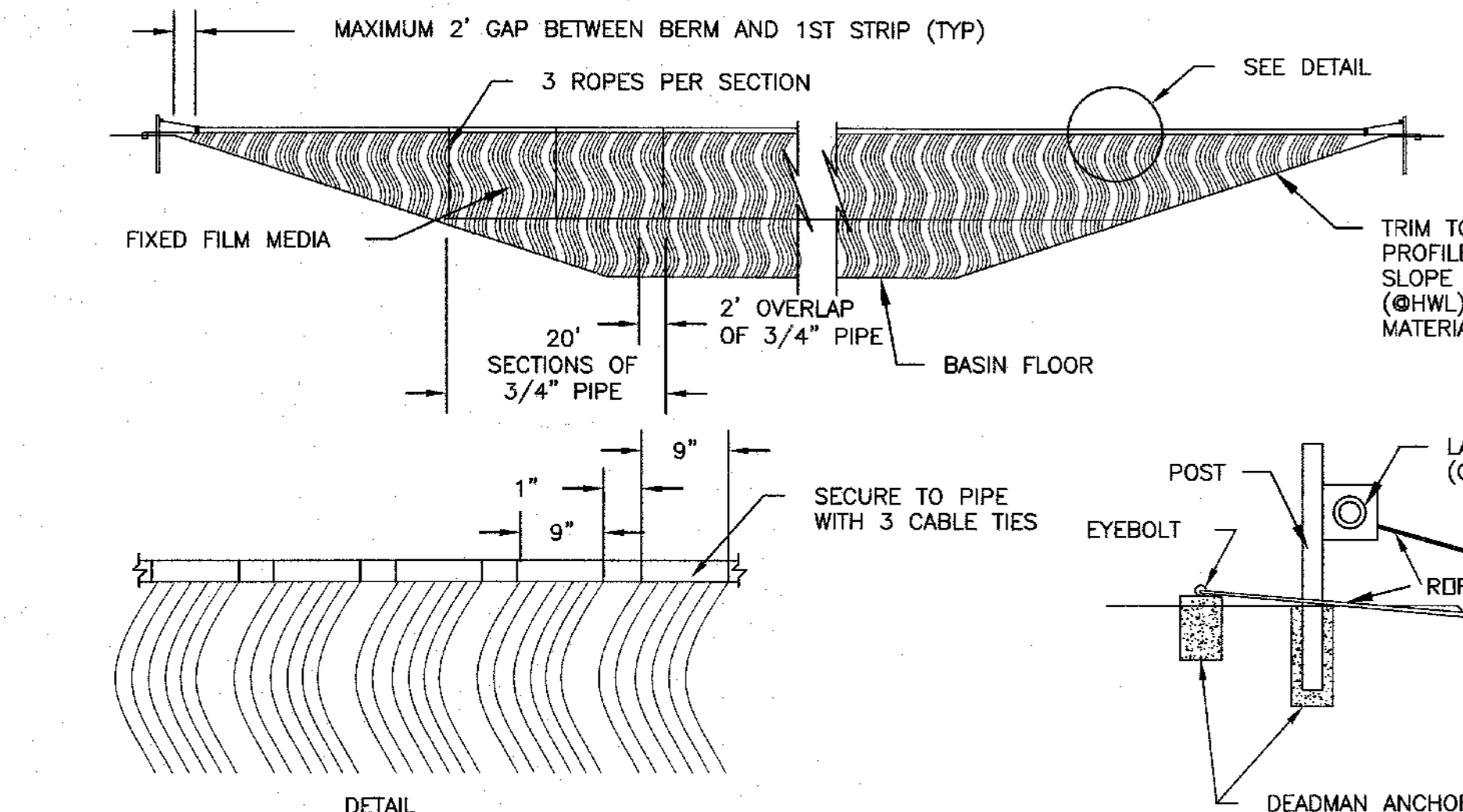
Thomas A. Trabe  
MO-E 22832  
Expires: 12-31-2018

**McCLURE**  
ENGINEERING CO.  
building strong communities.  
1901 Pennsylvania Drive  
Columbia, MO 65202  
P 573-814-1568  
F 573-814-1128  
MISSOURI CERTIFICATE OF  
AUTHORITY NO. E-2006023253  
EXPIRES: DECEMBER 31, 2018

City of Sweet Springs  
Wastewater Treatment  
Improvements  
Details

Client Proj # 007380  
THinc Proj # 007380  
Engineer: TPW  
Designer: TPW  
Drafter: GRK  
Plotted:

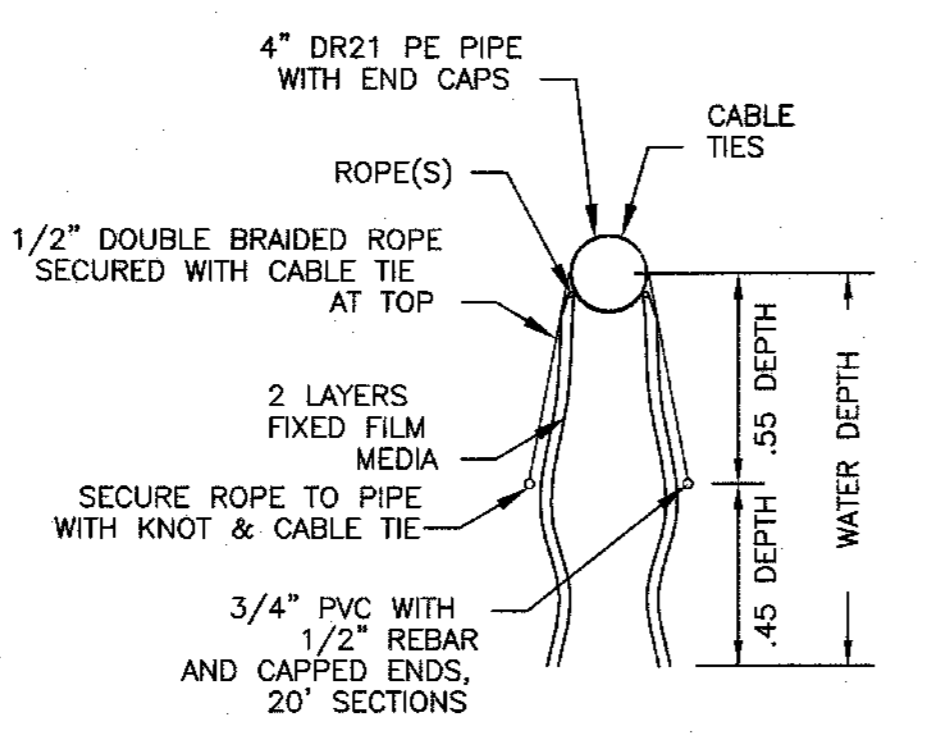
DWG. C503  
SHT. 13 OF 15



**1 ATTACHED GROWTH CURTAIN**  
C503 N.T.S.

**INLET PIPE CURTAIN INSTALLATION**

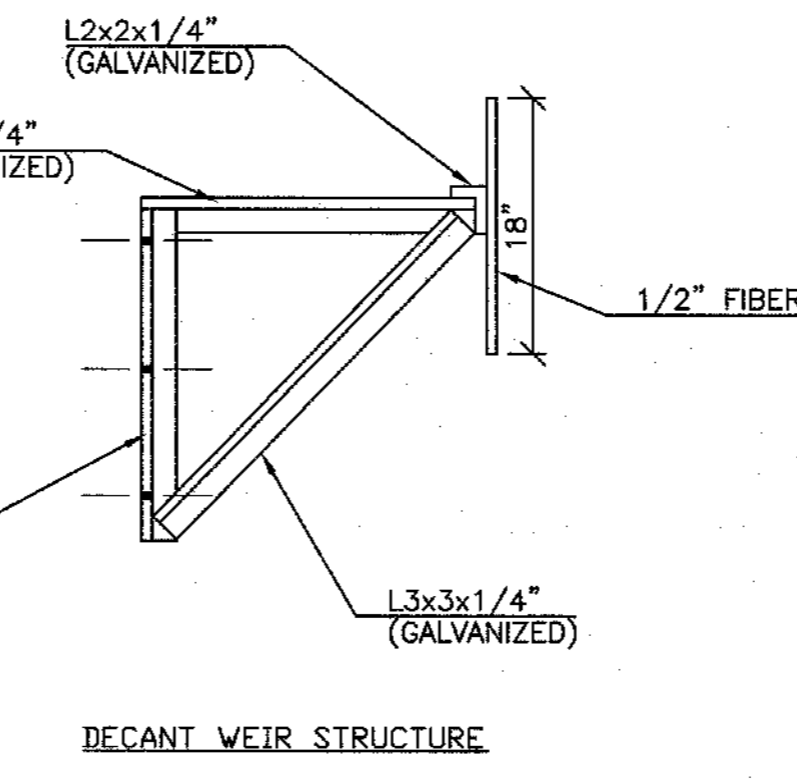
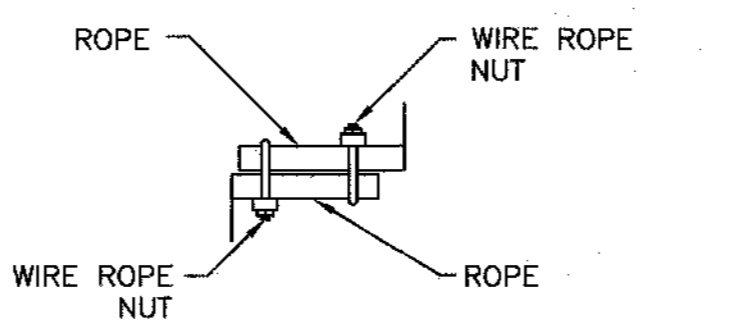
1. WELD 6" DR21 PE PIPE FLOAT EQUAL TO THE WIDTH OF THE BASIN AT LOW WATER ELEVATION.
2. SECURE 3 ATTACHED GROWTH CURTAIN STRANDS, TRIMMED TO MATCH THE BERM SLOPE, TO THE FLOAT 1 STRAND AT A TIME. SECURE WITH CABLE TIES INSTALLED AT 2' INTERVALS FOR EACH STRAND. INSURE THAT THE BEGINNING EDGE OF THE MEDIA WILL EXTEND FROM BERM TO BERM AT HIGH WATER LEVEL.
3. CONTINUE ADDING STRANDS TIED TOGETHER WITH WIRE ROPE NUTS AND SECURED TO THE LATERAL WITH CABLE TIES PLACED AT 2' INTERVALS. PLACE THE LAST SECTIONS TRIMMED TO MATCH THE BERM SLOPE INSURING THE MEDIA EXTENDS FROM BERM TO BERM AT THE HIGH WATER LEVEL.
4. SECURE THE MEDIA RESTRAINT SYSTEM TO THE PE FLOAT WITH CABLE TIES. THE MEDIA RESTRAINT SYSTEM CONSISTS OF 2 PARALLEL 3/4" WEIGHTED PVC PIPE SECTIONS CONNECTED AT THE ENDS AND MIDDLE OF THE SECTIONS WITH DOUBLE BRAIDED ROPE.



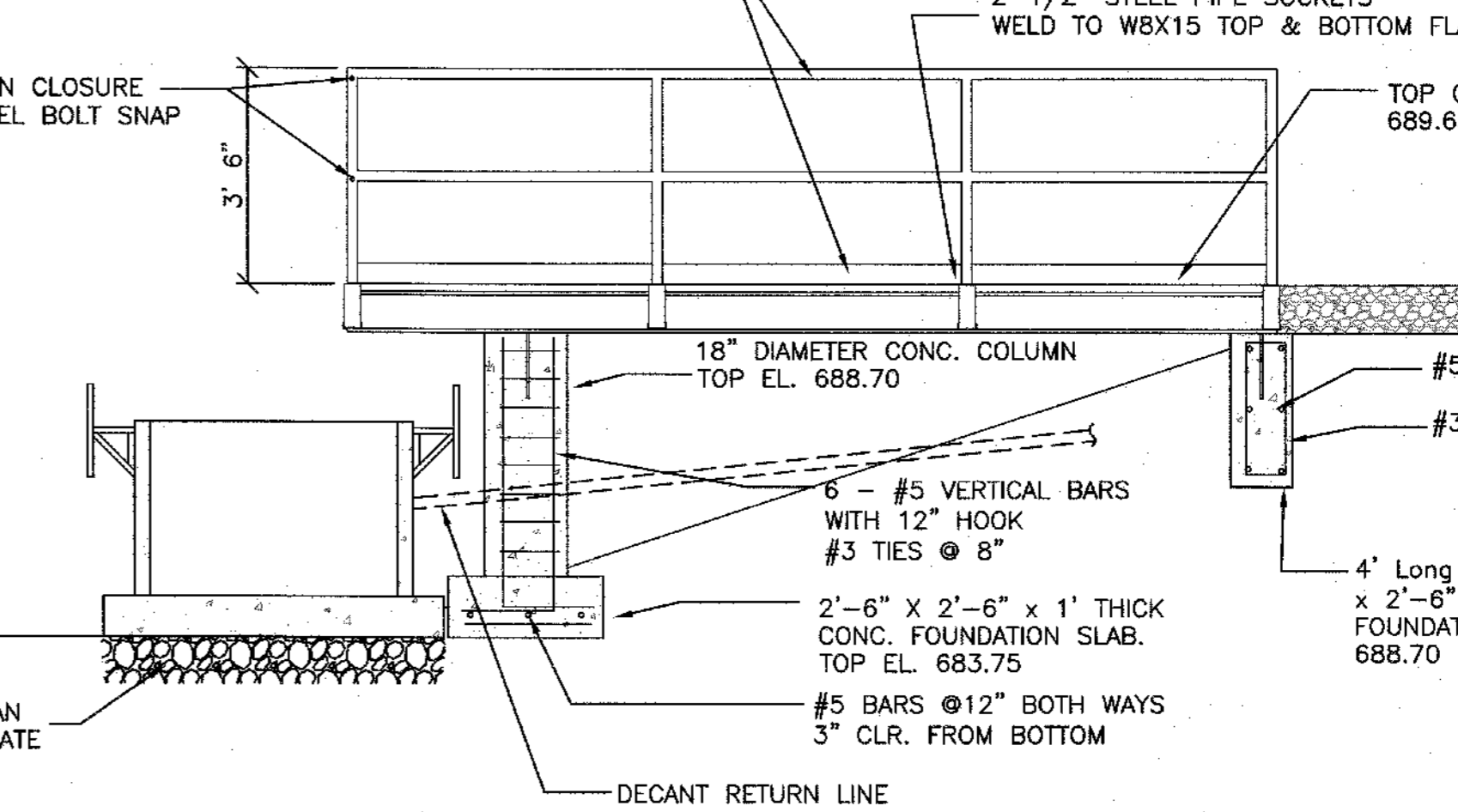
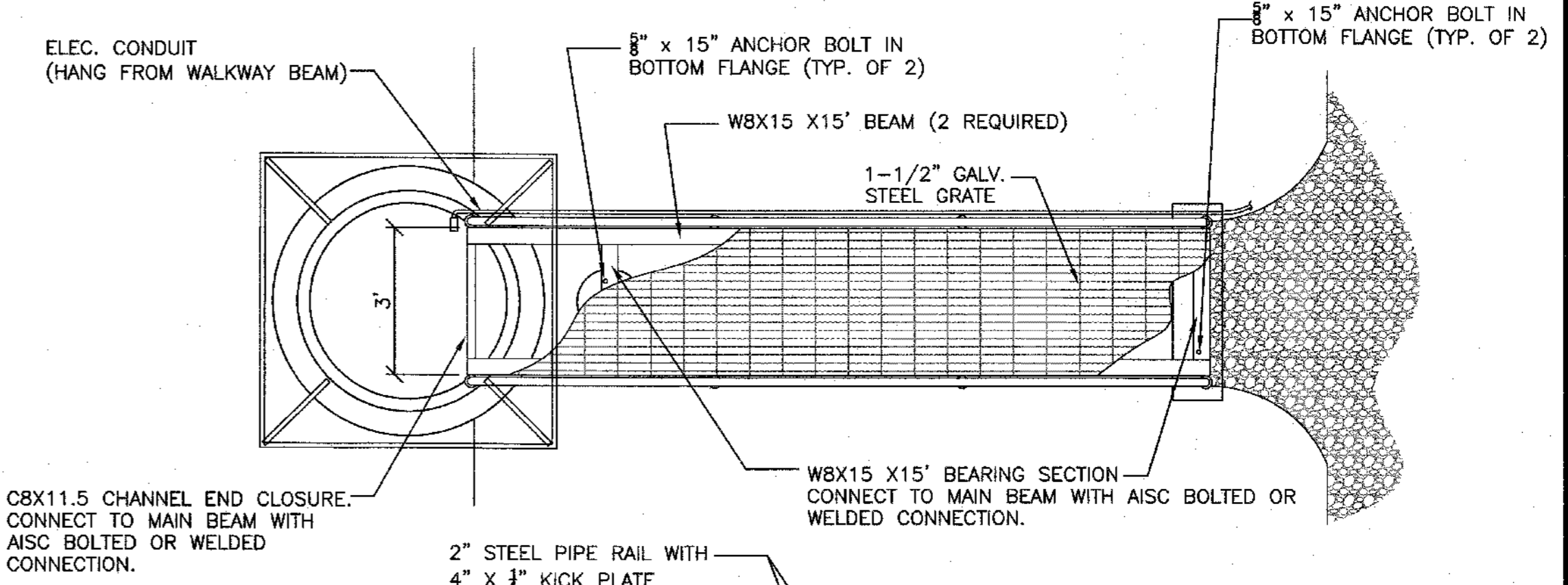
**2 NOT USED**  
C503 N.T.S.

**OUTLET PIPE CURTAIN INSTALLATION**

1. WELD 4" DR17 PE PIPE FLOAT EQUAL TO THE WIDTH OF THE BASIN AT LOW WATER ELEVATION.
2. SECURE 2 ATTACHED GROWTH CURTAIN STRANDS, TRIMMED TO MATCH THE BERM SLOPE, TO THE FLOAT 1 STRAND AT A TIME. SECURE WITH CABLE TIES INSTALLED AT 2' INTERVALS FOR EACH STRAND. INSURE THAT THE BEGINNING EDGE OF THE MEDIA WILL EXTEND FROM BERM TO BERM AT HIGH WATER LEVEL.
3. CONTINUE ADDING STRANDS TIED TOGETHER WITH WIRE ROPE NUTS AND SECURED TO THE LATERAL WITH CABLE TIES PLACED AT 2' INTERVALS. PLACE THE LAST SECTIONS TRIMMED TO MATCH THE BERM SLOPE INSURING THE MEDIA EXTENDS FROM BERM TO BERM AT THE HIGH WATER LEVEL.
4. SECURE THE MEDIA RESTRAINT SYSTEM TO THE PE FLOAT WITH CABLE TIES. THE MEDIA RESTRAINT SYSTEM CONSISTS OF 2 PARALLEL 3/4" WEIGHTED PVC PIPE SECTIONS CONNECTED AT THE ENDS AND MIDDLE OF THE SECTIONS WITH DOUBLE BRAIDED ROPE.



**5 SLUDGE DECANT PUMP IN DECANT STRUCTURE**  
C503 N.T.S.



**4 DECANT STRUCTURE**  
C503 N.T.S.

**6 DECANT STRUCTURE ACCESS WALKWAY**  
C503 N.T.S.

NOTE: ALL STEEL SHAPES AND RAILS HOT DIP GALVANIZED AFTER FABRICATION.

P:\Civil - Structural\7380 - Sweet Springs - WW Improvements\DWG\7380-Cox\_Leq\_Det.dwg