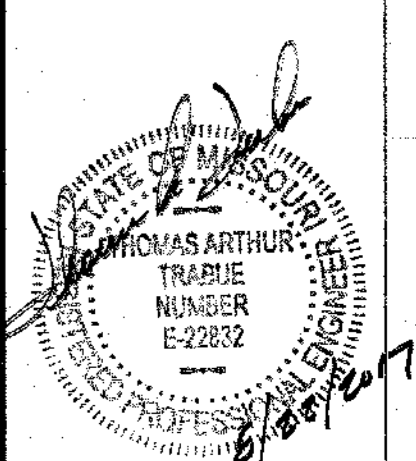


Revisions No.	Date	Description



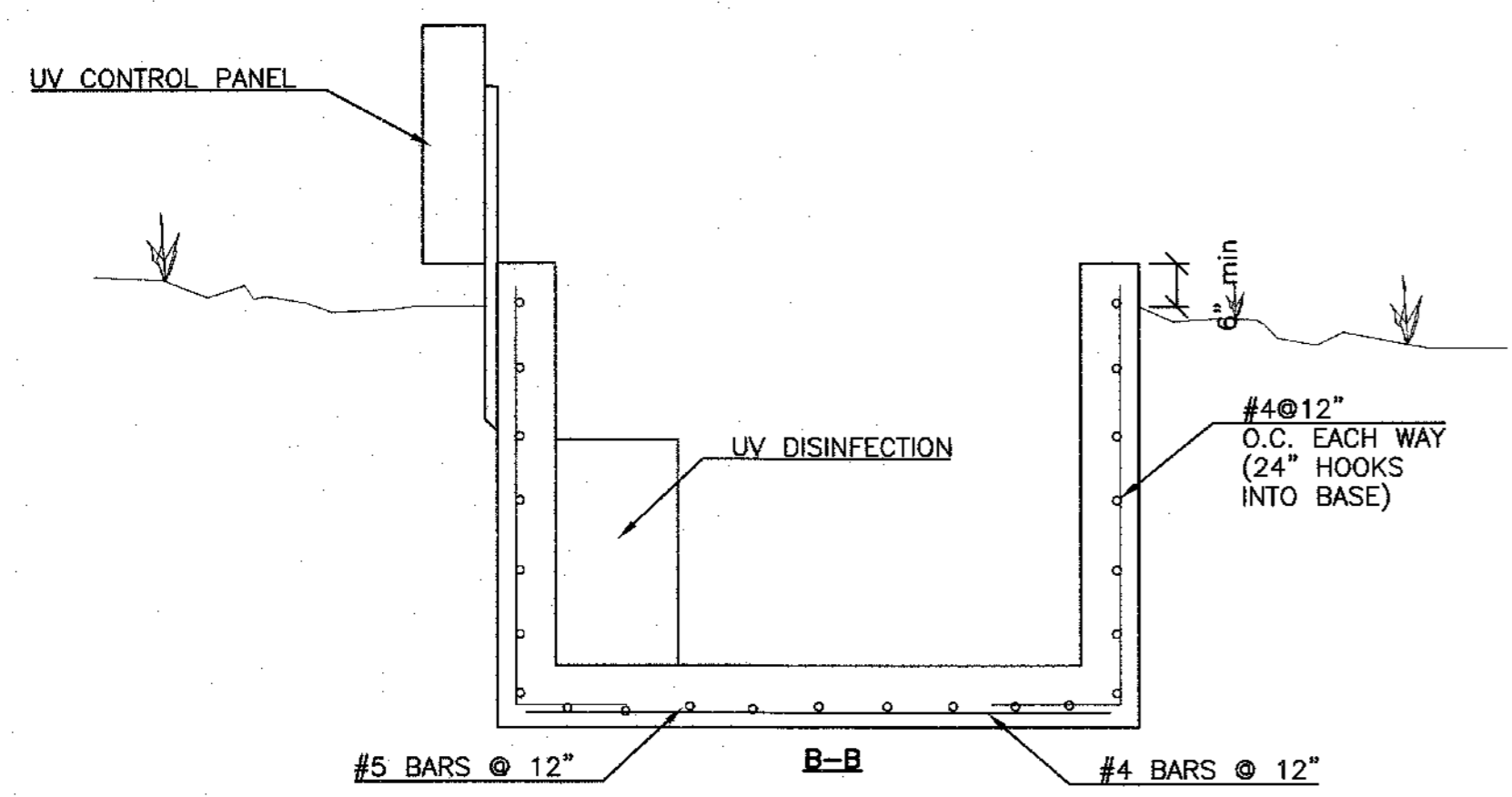
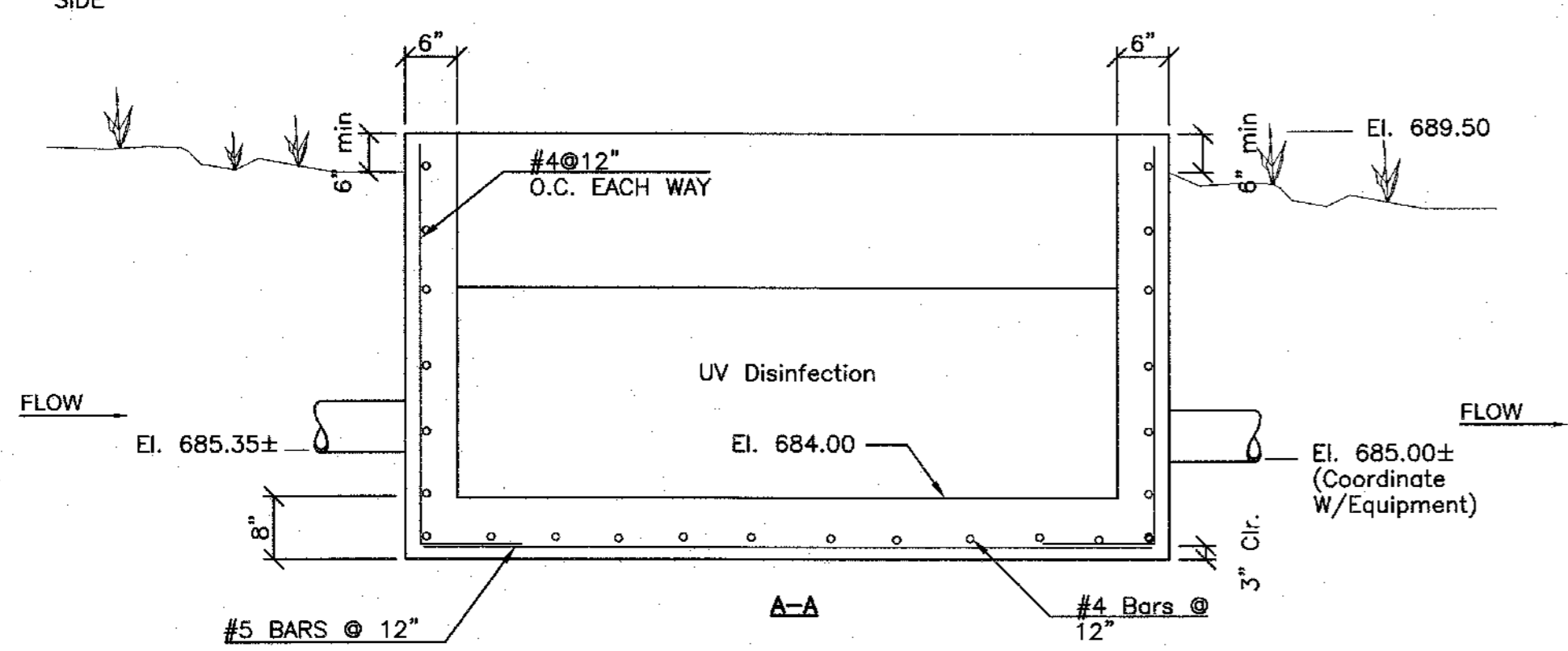
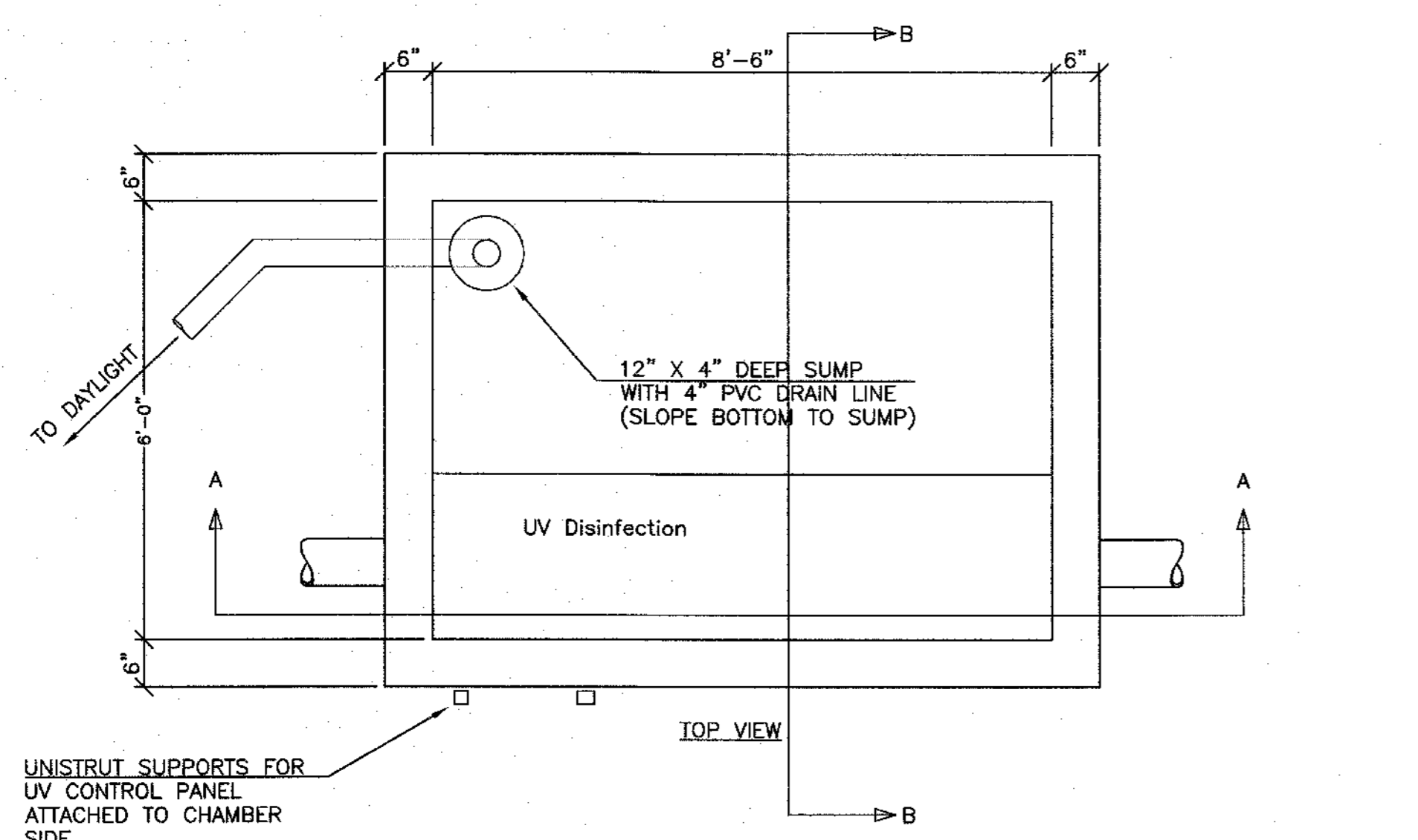
Thomas A. Trabue
MO-E 22832
Expires: 12-31-2018

McCLURE
ENGINEERING CO.
building strong communities
1901 Pennsylvania Drive
Columbia, MO 65202
P 573-814-1568
F 573-814-1128
MISSOURI CERTIFICATE OF
AUTHORITY NO. E-2006023253
EXPIRES: DECEMBER 31, 2018

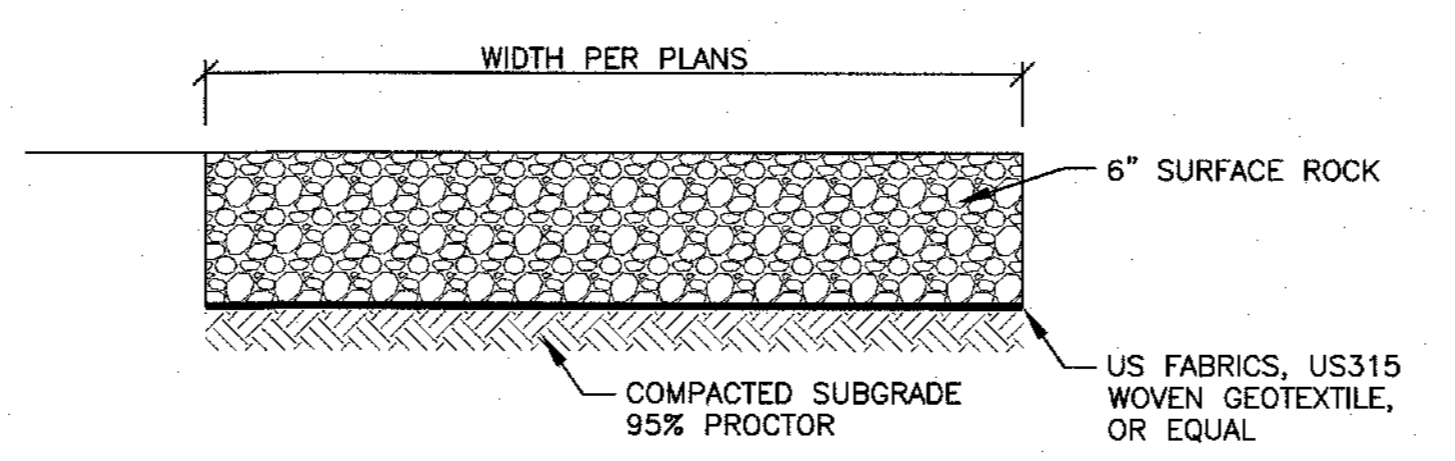
City of Sweet Springs
Wastewater Treatment
Improvements
Details

Client Proj # 007380
THInc Proj # 007380
Engineer: TPW
Designer: TPW
Drafter: GRK
Plotted:

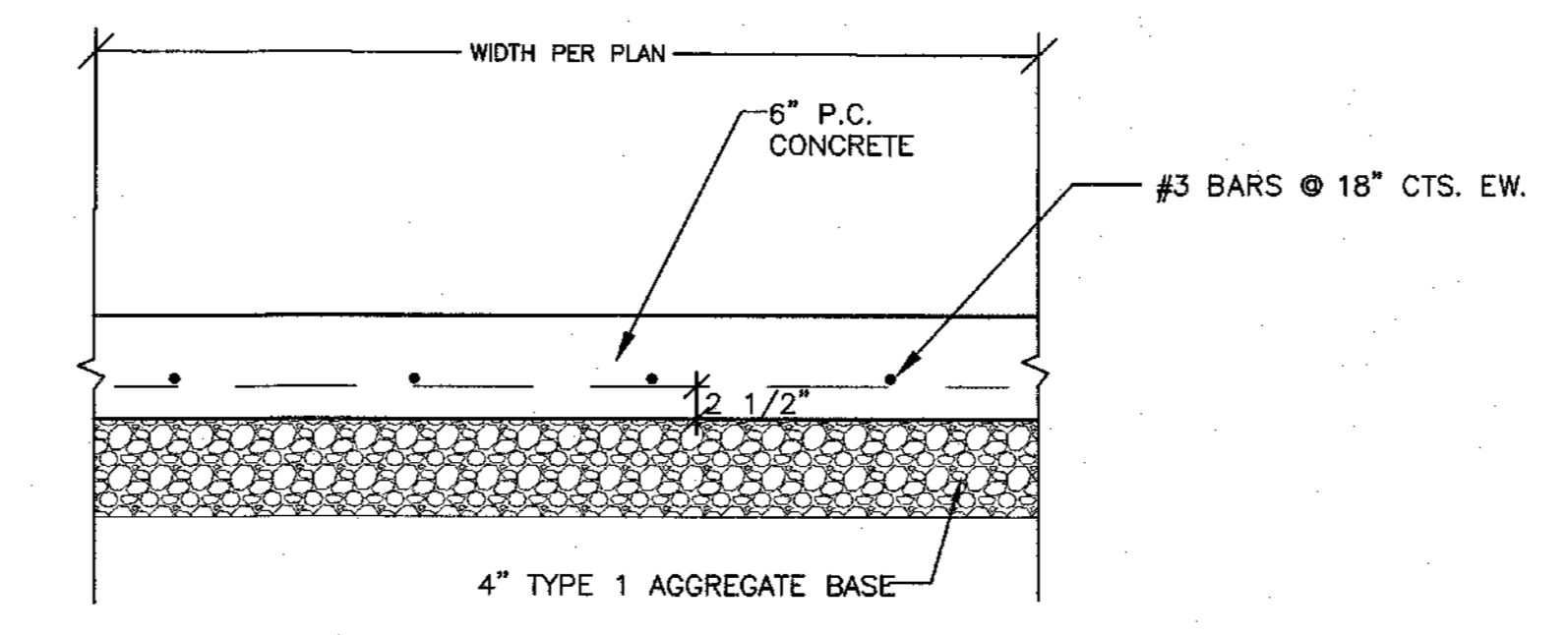
DWG. C504
SHT. 14 OF 15



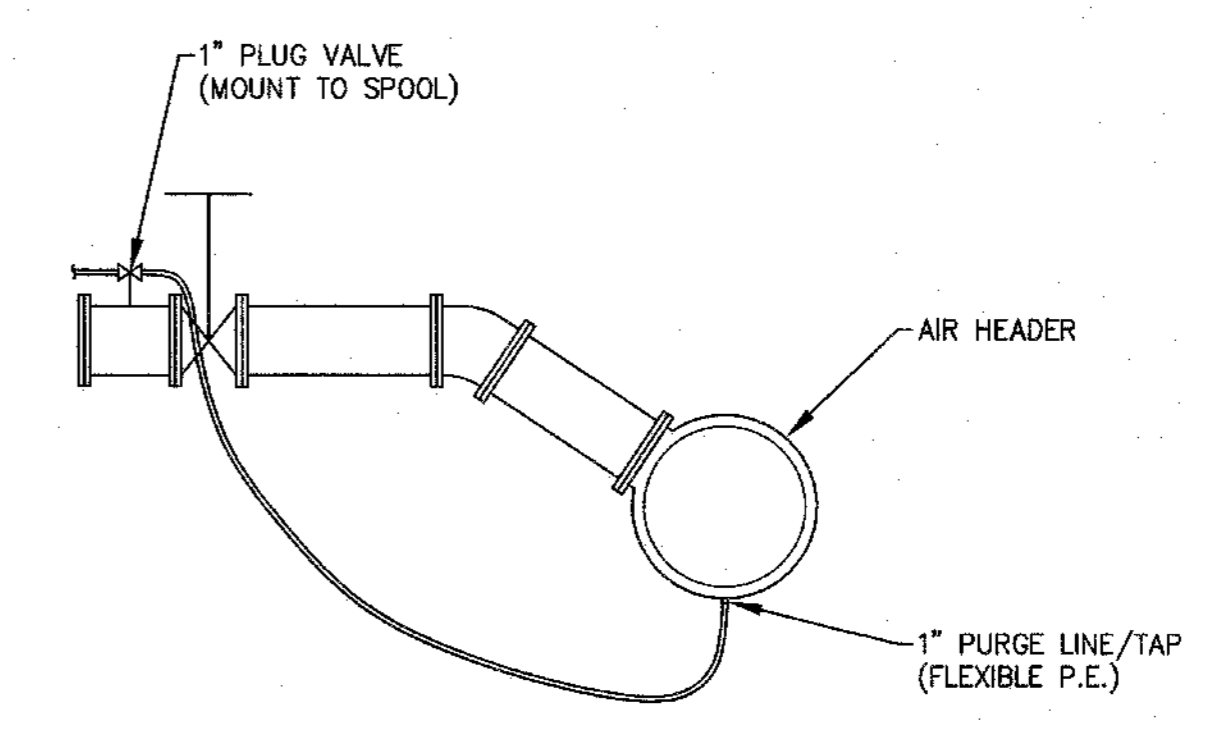
1 UV DISINFECTION CHAMBER
C504 N.T.S.
CHAMBER CONFIGURATION MAY VARY FOR DIFFERING APPROVED EQUIPMENT. FULL SHOP DRAWING SUBMITTALS ARE REQUIRED FOR APPROVAL FOR ANY CHAMBER PROVIDED.
CHAMBER MAY BE PRECAST OR CAST-IN-PLACE.



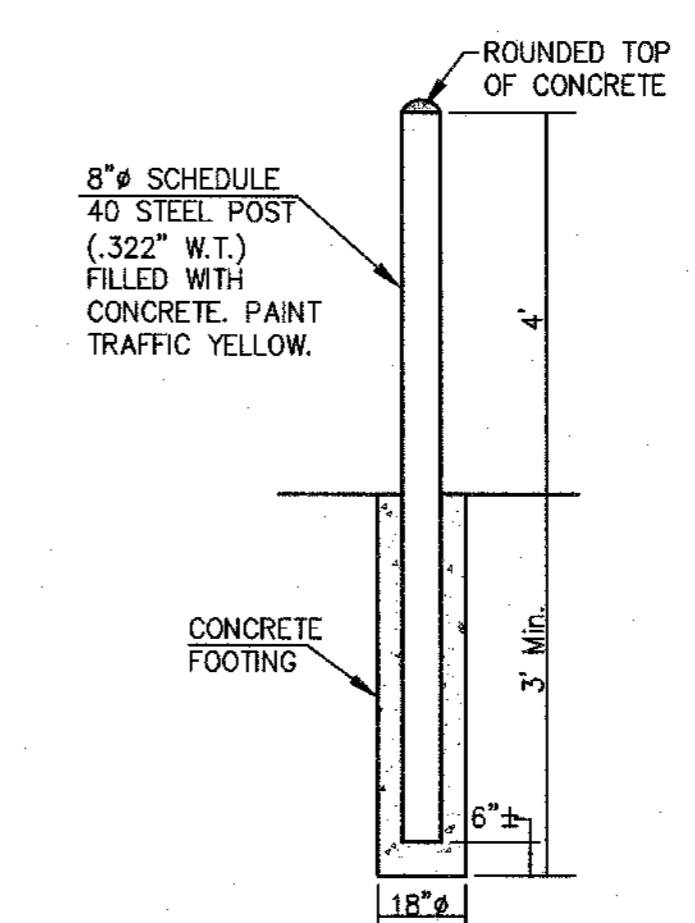
2 GRAVEL PAVEMENT
C504 N.T.S.



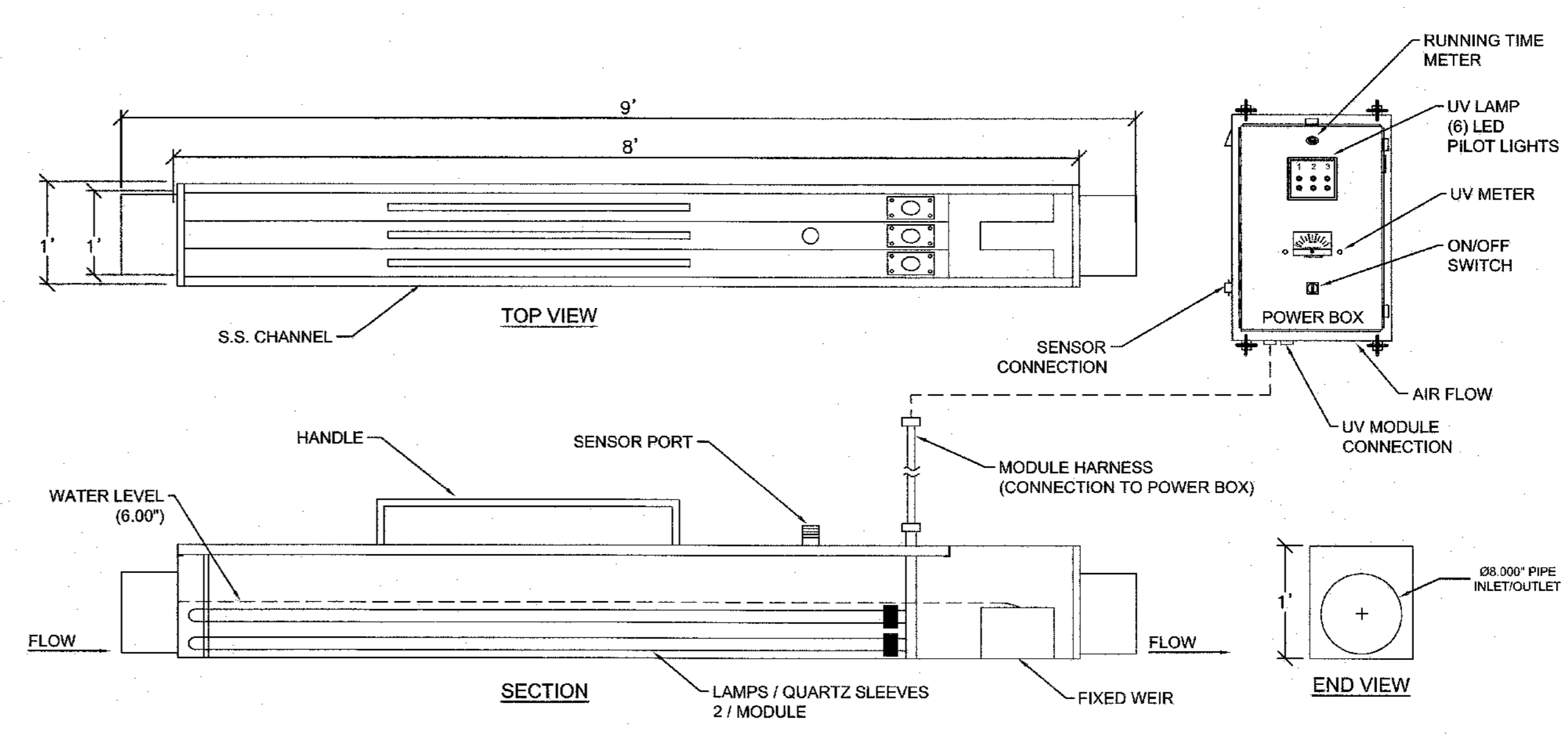
3 P.C.C. BLOWER PAD
C504 N.T.S.



5 CONDENSATE BLOW OFF
C504 N.T.S.



6 BOLLARD DETAIL
C504 N.T.S.



- SPECIFICATIONS:**
1. TYPE OF LIQUID: WASTE WATER
 2. AVERAGE FLOW RATE: 105 GPM (150,000 GPD)
 3. HEAD LOSS: LESS THAN 4" AT RATED FLOW
 4. TRANSMISSION: 65%
 5. QUALITY: 30 BOD / 30 TSS MAX.
 6. ELECTRICAL: 120 VAC / 60 HZ - 3.2 AMPS
220 VAC / 50 HZ - 1.7 AMPS
 7. POWER SUPPLY BOX: FAN COOLED
 8. REDUNDANT OPERATION REQUIRED. SYSTEM CAPABLE OF RATED TREATMENT PERFORMANCE WITH ANY SINGLE UNIT OUT OF SERVICE.

4 UV DISINFECTION SYSTEM
C504 N.T.S.

P:\Civil - Structural\7380 - Sweet Springs - WW Improvements\DWG\7380-Cov. Leg. Det.dwg