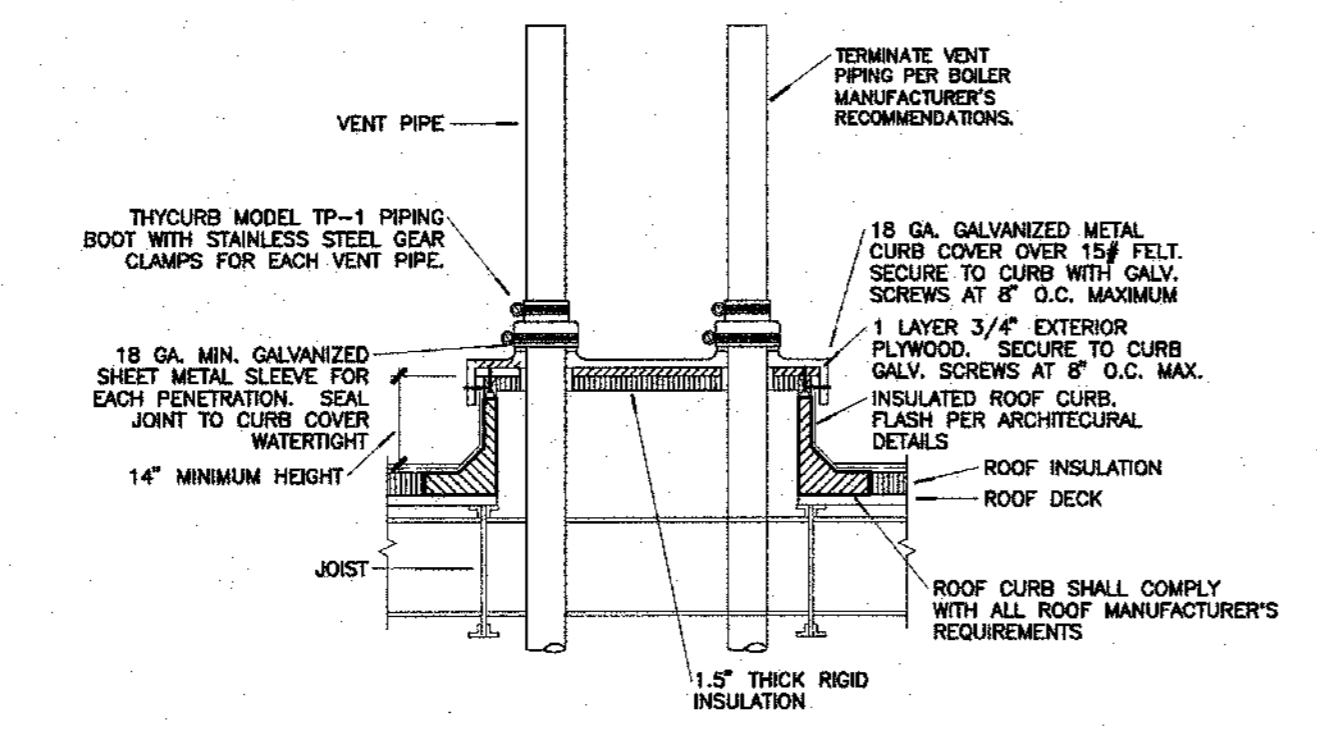


Missouri State Certificate of Authority #001075
 PROFESSIONAL SEAL

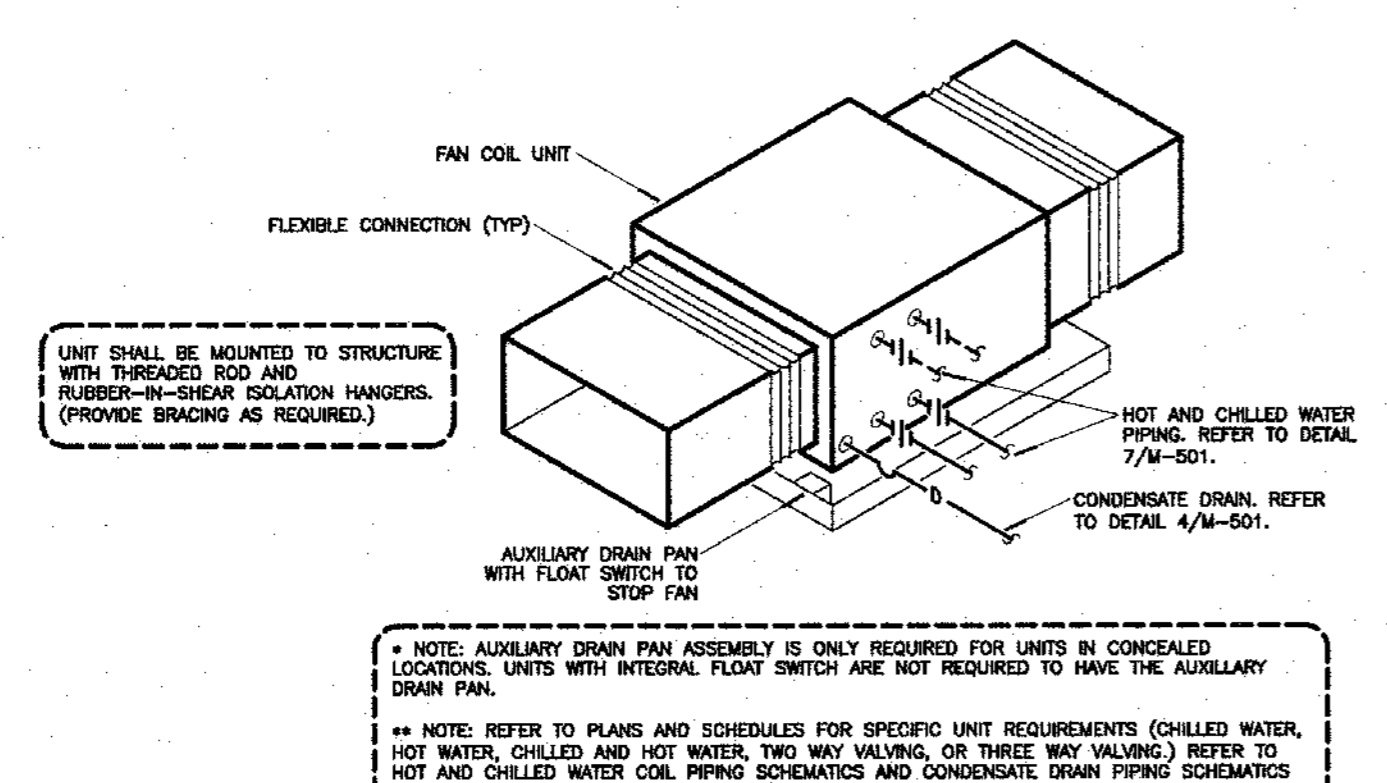
1736 East Sunshine, Suite 417
 Springfield, Missouri 65804
 417.862.0558
 Fax: 417.862.3265
 e-mail: architect@esterlyscneider.com
 Certificate of Authority #000718

**ESTERLY
 SCHNEIDER
 &
 ASSOCIATES, INC.**
 AIA architects & planners

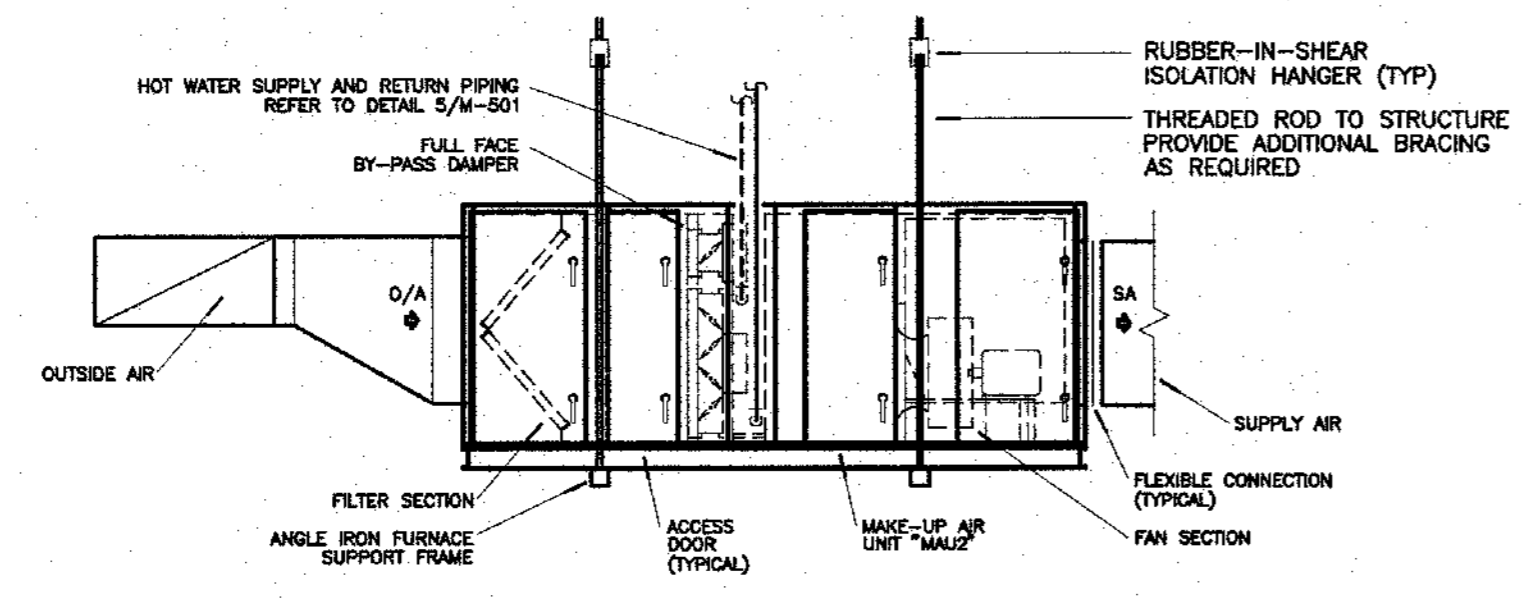
COMM. # 4092



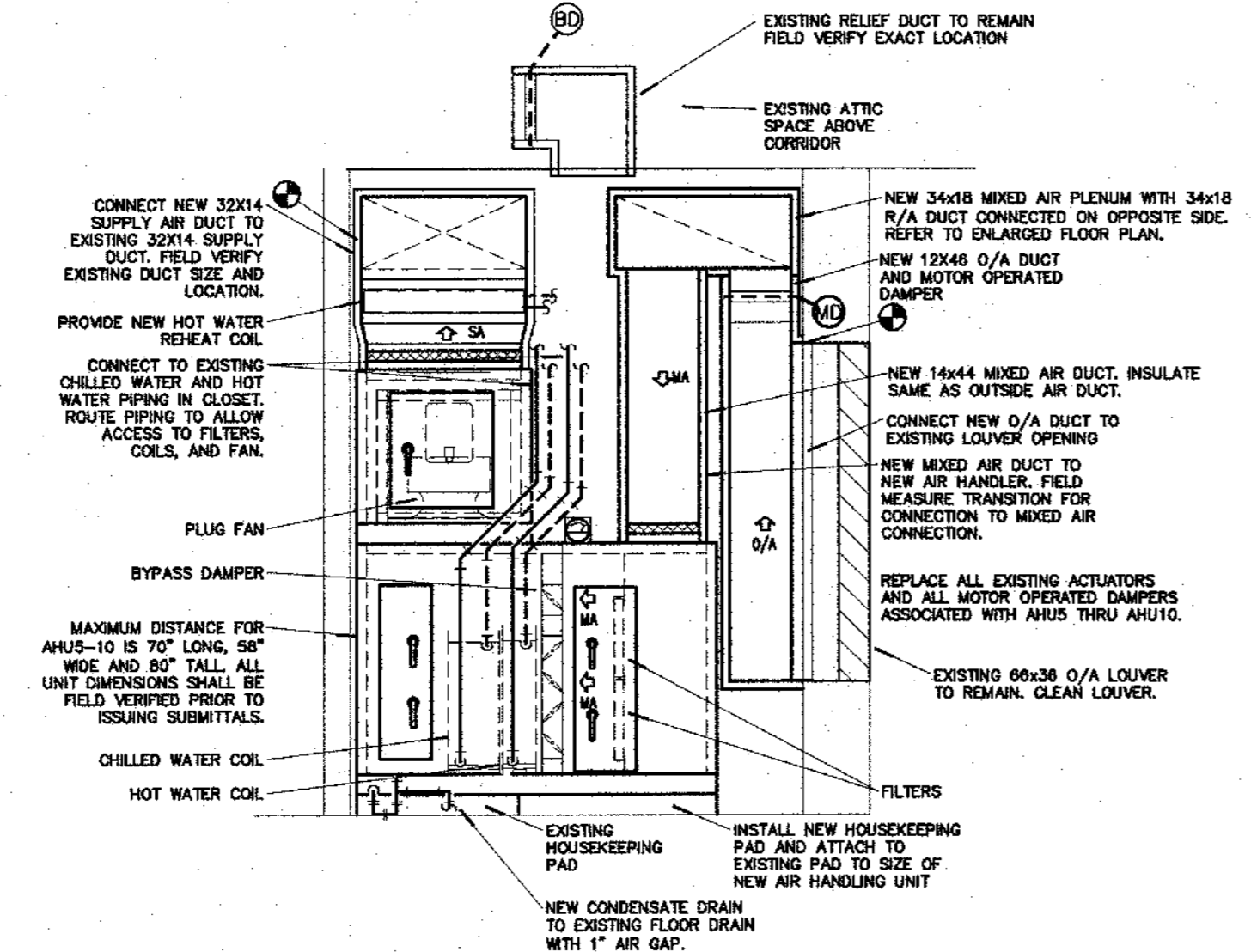
12 WATER HEATER AND BOILER VENT PIPING DETAIL
 M-500 NO SCALE



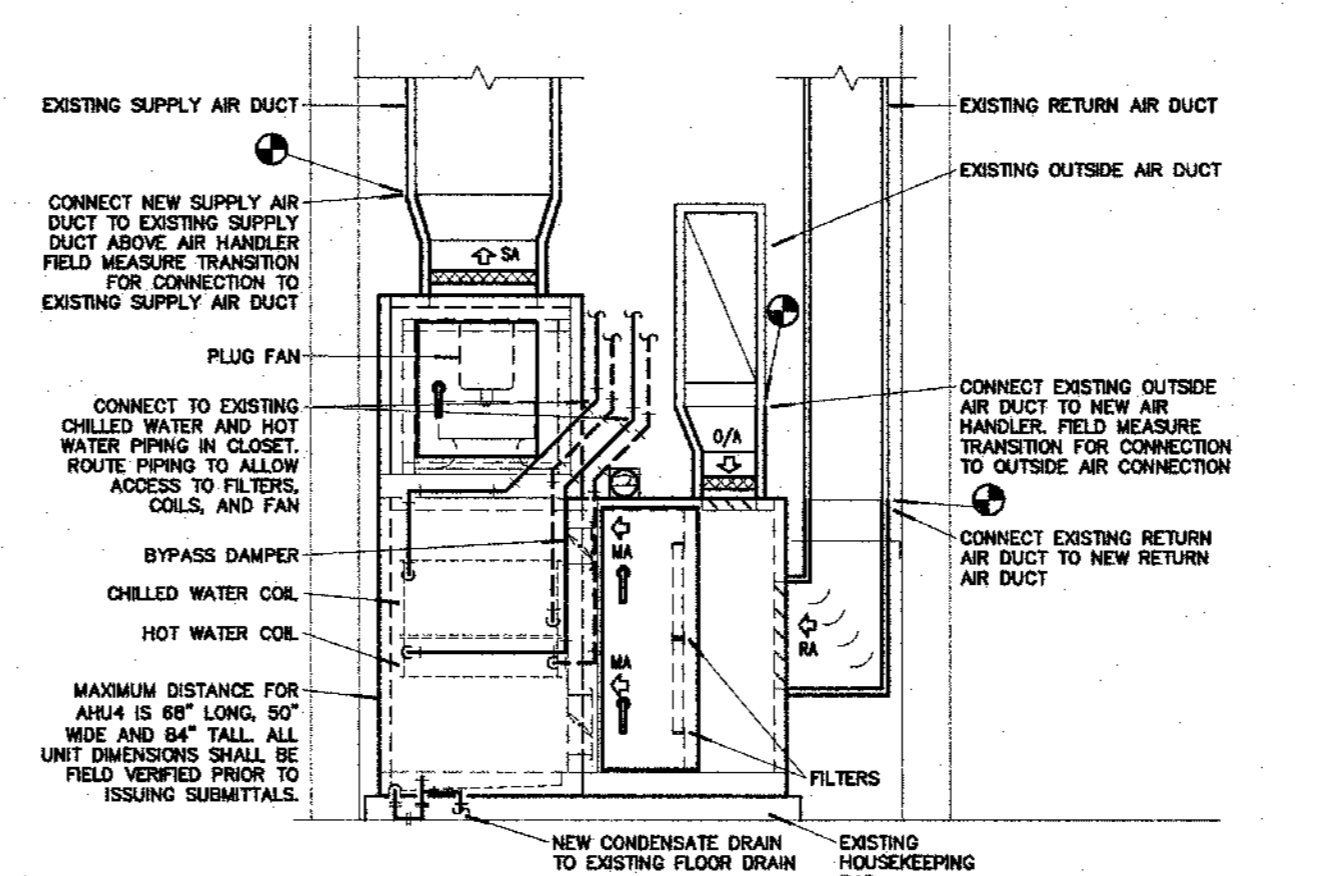
11 FAN COIL UNIT 'FCU-003' DETAIL
 M-500 NO SCALE



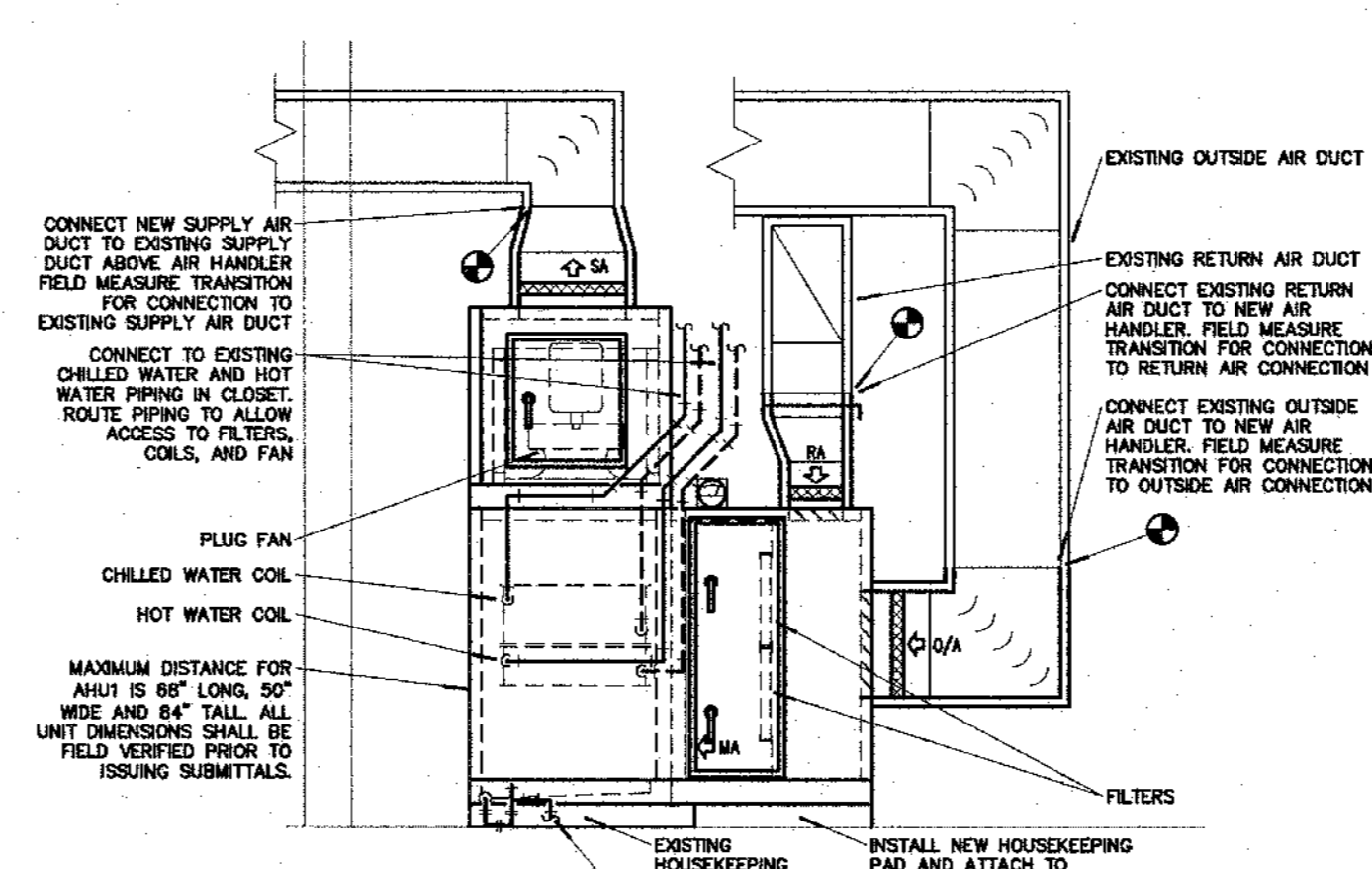
10 'MAU2' DETAIL
 M-500 NO SCALE



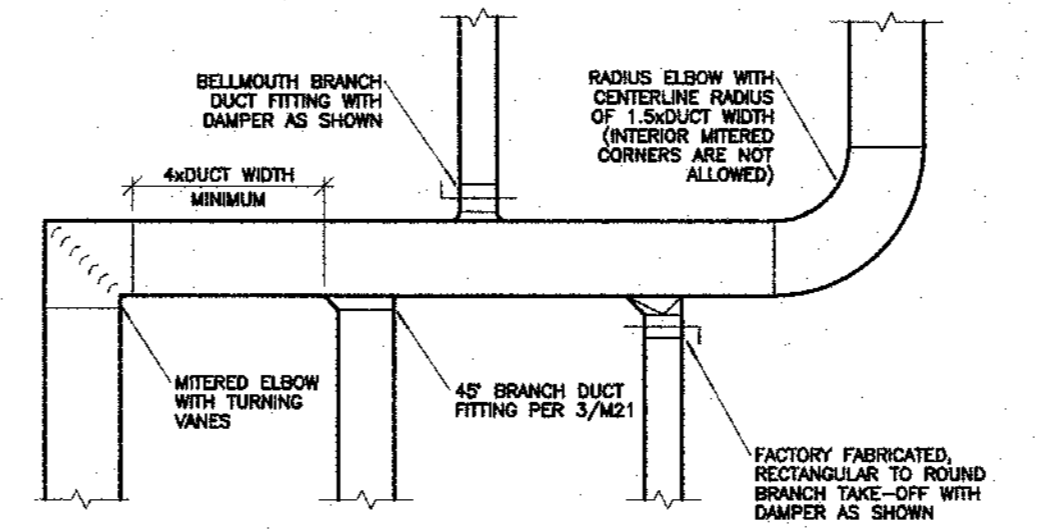
9 AHU 5 THRU 10 ELEVATION
 M-500 NO SCALE



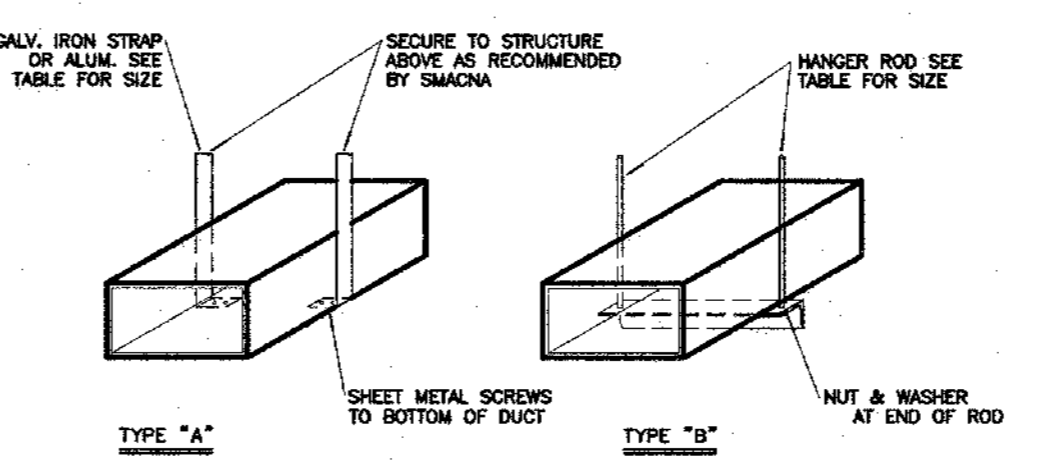
8 AHU 4 ELEVATION
 M-500 NO SCALE



7 AHU 1 ELEVATION
 M-500 NO SCALE



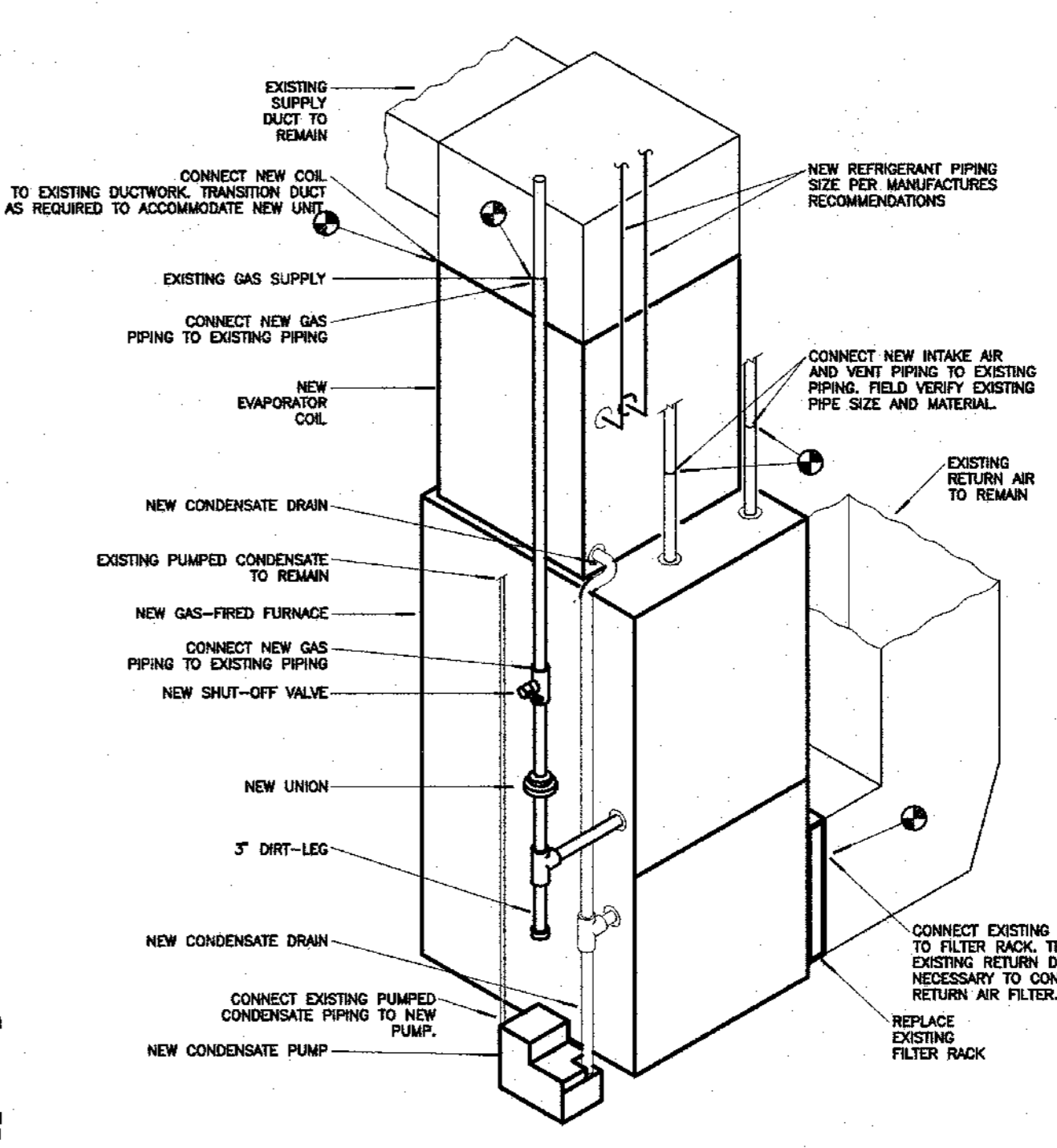
6 DUCTWORK CONSTRUCTION DETAIL
 M-500 NO SCALE



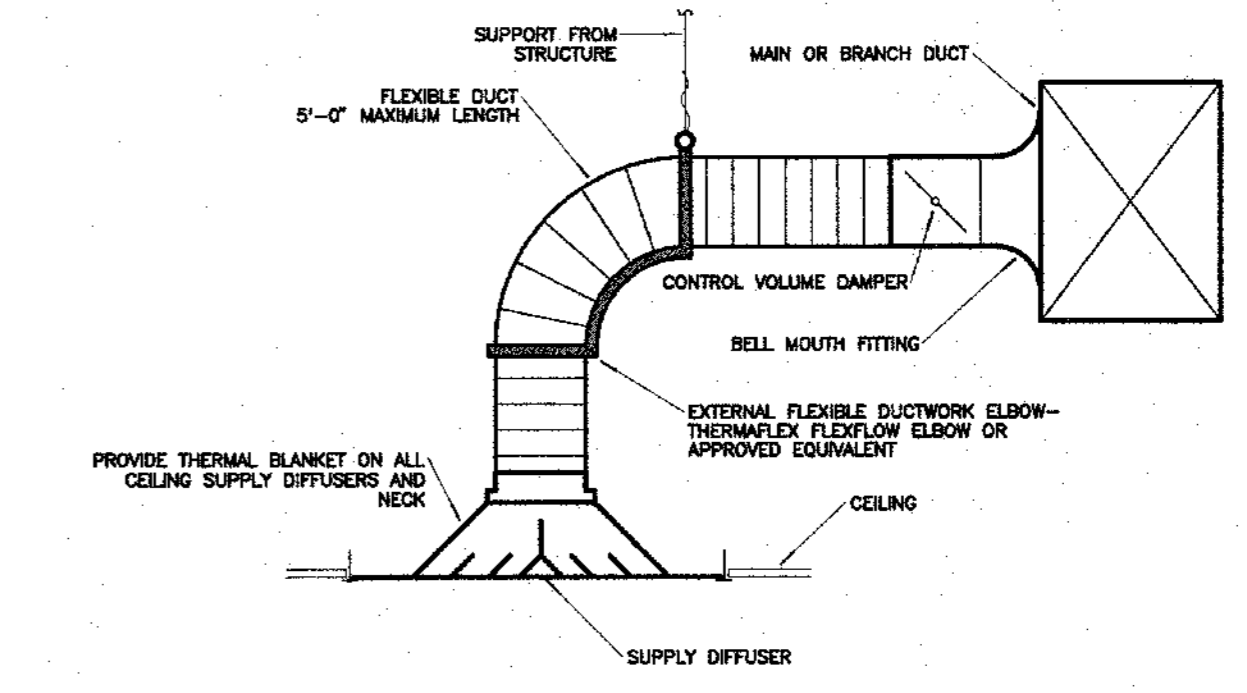
DUCT HANGER SCHEDULE					
DUCT SIZE (INCH)	TYPE OF HANGER	HANGER SPACING (FT)	STRAP SIZE	ROD SIZE (INCH)	ANGLE FOR BRACING
UP TO 12	A	8'-0"	1"x1/8"	N.A.	N.A.
13 TO 18	A	8'-0"	1"x1/8"	N.A.	N.A.
19 TO 30	A/B	8'-0"	1"x1/8"	1/2"	1/2"-1/2" / 1/2"-1/2"
31 TO 42	B	8'-0"	N.A.	1/2"	1/2"-1/2" / 1/2"-1/2"
43 TO 54	B	8'-0"	N.A.	1/2"	1/2"-1/2" / 1/2"-1/2"
55 TO 60	B	8'-0"	N.A.	1/2"	1/2"-1/2" / 1/2"-1/2"
61 TO 84	B	8'-0"	N.A.	1/2"	1/2"-1/2" / 1/2"-1/2"
85 TO 96	B	8'-0"	N.A.	3/8"	2"x2" / 17/4"

NOTES:
 1) FOR SEVERAL DUCTS ON ONE HANGER, TYPE "B" MAY BE USED. SIZE OF HANGER WILL BE SELECTED ON THE BASIS OF DUCT WIDTHS EQUAL TO MAX WIDTH OF DUCT SCHEDULE.
 2) ON TYPE "A" HANGER, PROVIDE 3 HANGERS AT EACH TAKE-OFF OR BRANCH.

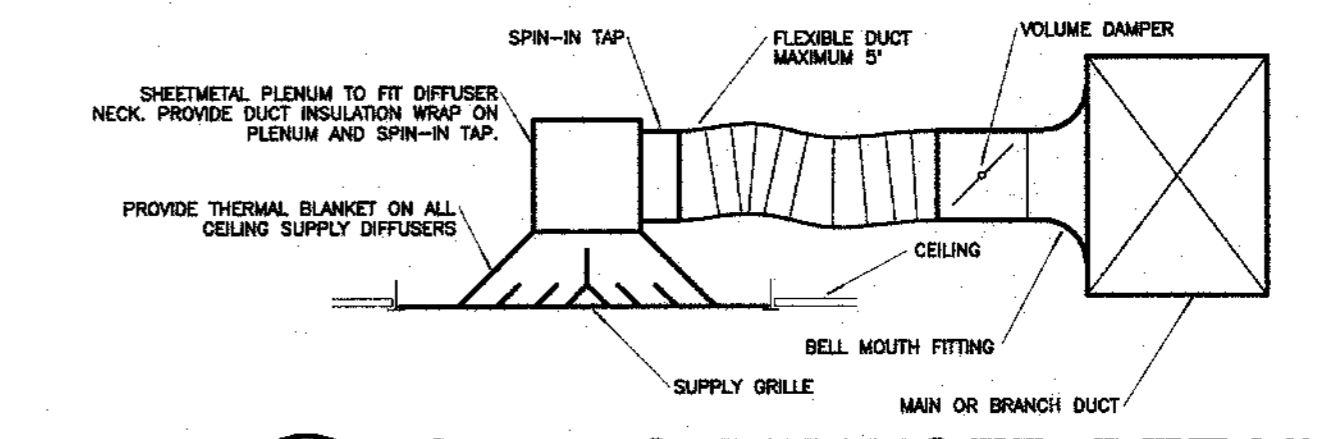
5 DUCT SUPPORT DETAIL
 M-500 NO SCALE



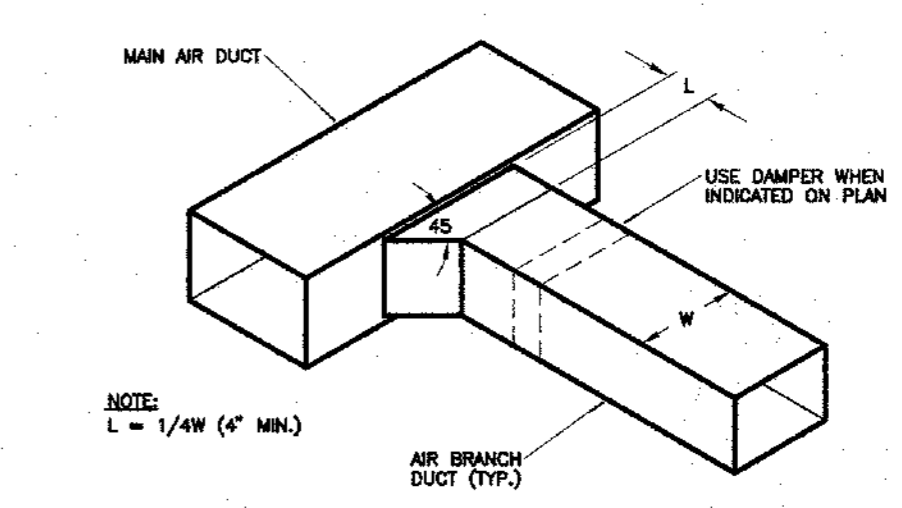
4 FURNACE 'F1' DETAIL
 M-500 NO SCALE



3 CEILING DIFFUSER DETAIL
 M-500 NO SCALE



2 CEILING DIFFUSER DETAIL
 M-500 NO SCALE



1 BRANCH DUCT DETAIL
 M-500 NO SCALE

OFFICE OF ADMINISTRATION
 DIVISION OF FACILITIES
 MANAGEMENT,
 DESIGN AND CONSTRUCTION

DEPARTMENT OF
 PUBLIC SAFETY,
 MISSOURI VETERANS
 COMMISSION

HVAC REPLACEMENT
 PROJECT

MISSOURI VETERANS
 HOME

620 N. JEFFERSON
 ST. JAMES, MO 65559

PROJECT # U1503-03
 FAI # 29-051
 SITE # 4700
 FACILITY # 55019

REVISION: _____
 DATE: _____
 REVISION: _____
 DATE: _____
 REVISION: _____
 DATE: _____
 ISSUE DATE: 10-27-17

CAD DWG FILE: M-500.DWG
 DRAWN BY: JMO
 CHECKED BY: CRO
 DESIGNED BY: JMO

SHEET TITLE:

**MECHANICAL
 DETAILS**

SHEET NUMBER:

M-500
 27 OF 41 SHEETS

10-27-17