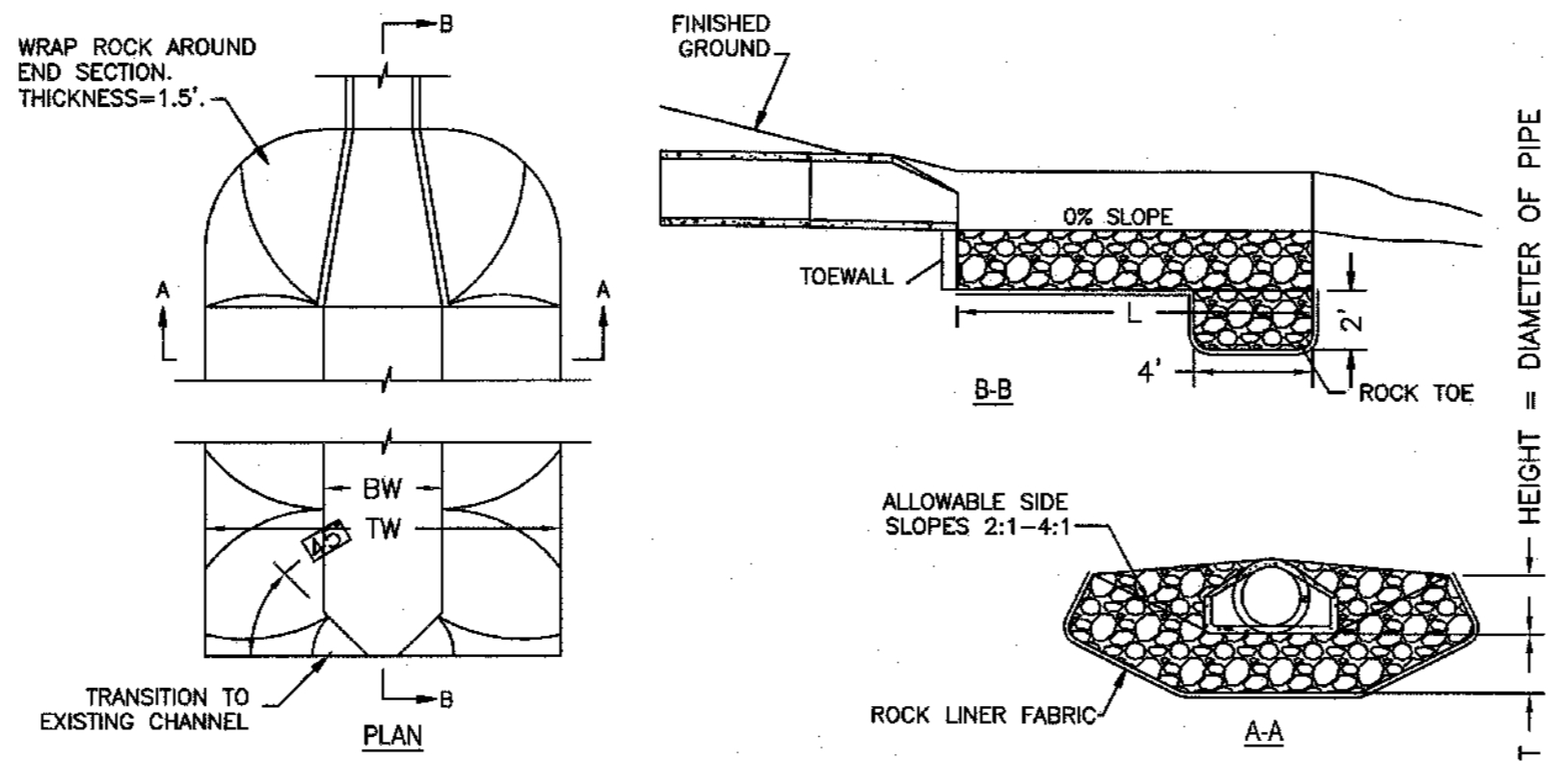


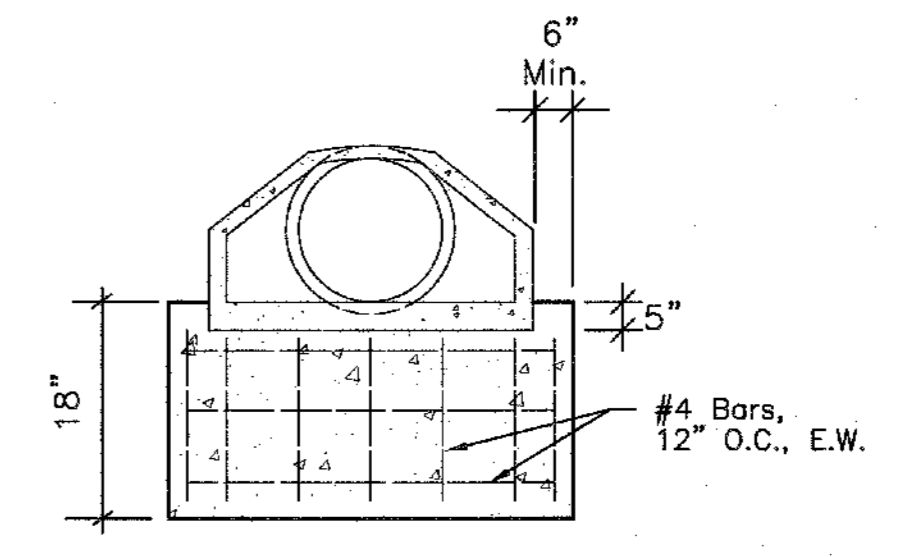
1 STORM DRAIN INLET PROTECTION
C0.52 N.T.S.



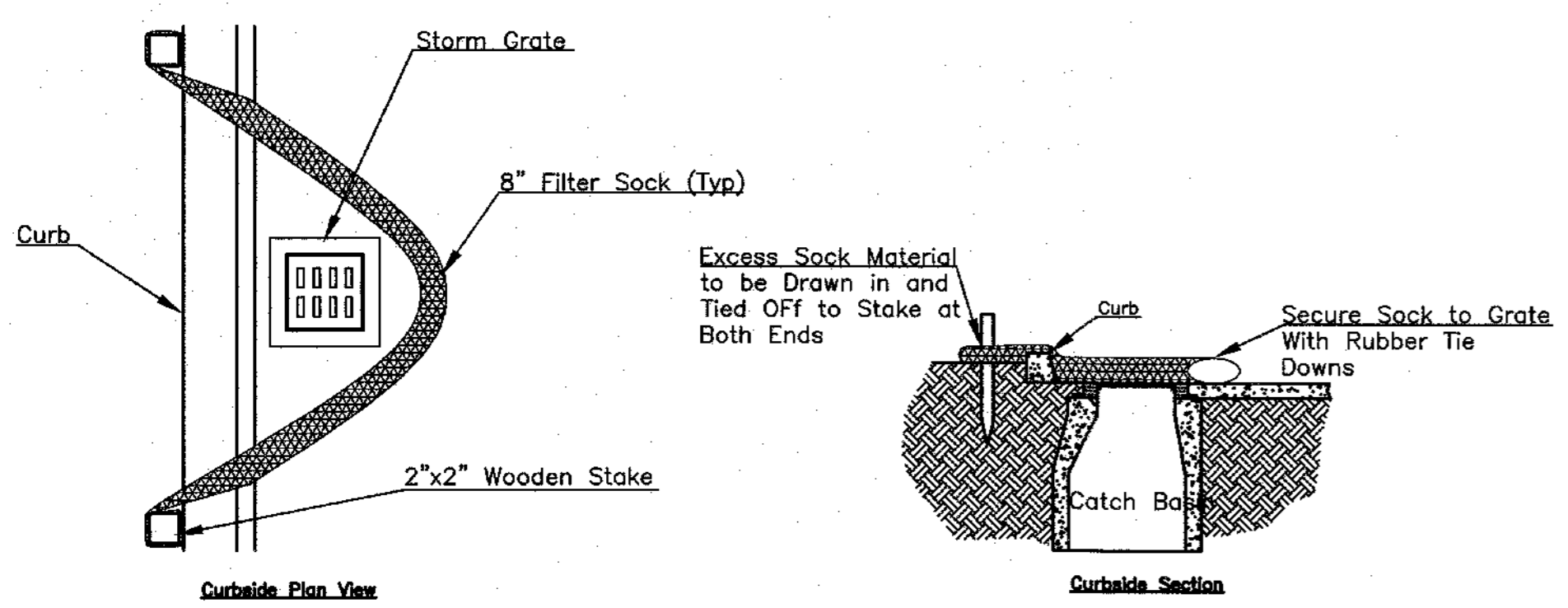
4 ROCK DITCH LINER
C0.52 N.T.S.

Pipe Size (in)	Maximum Slope (%)	Length L (ft)	Bottom Width BW (ft)	Top Width TW (ft)	Thickness T (ft)
12	3.50	12	4	8	2
15	2.60	15	4	9	2
18	2.00	18	4	10	2
24	1.70	20	4	12	2
30	1.50	24	6	16	2
36	1.00	28	6	18	2
42	0.85	32	6	20	3
48	0.85	36	6	22	3
54	0.55	40	8	26	3
60	0.45	42	8	28	3
72	0.40	48	8	32	3

RIP RAP TO BE TYPE 1: ROCK MUST BE ANGULAR, HARD AND DURABLE.
ROCK LINER FABRIC SHALL BE PROPEX GEOTEX 801 OR APPROVED EQUAL. ALTERNATIVELY, AN 8 INCH BED OF WELL GRADED SAND AND GRAVEL WITH GRAVEL UP TO 3" IS ACCEPTABLE.
WHERE BEDROCK IS ENCOUNTERED, RIP RAP MAY BE OMITTED.

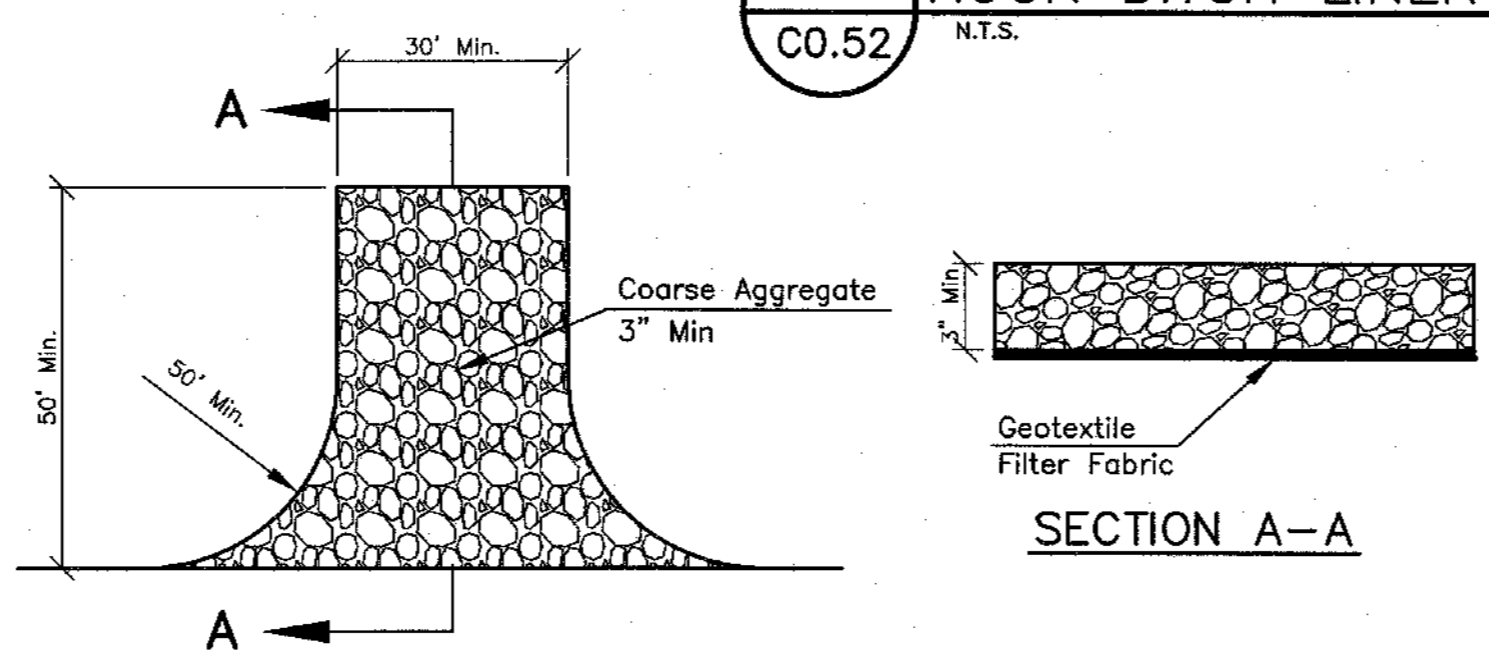


8 RCP END SECTION
C0.52 N.T.S.

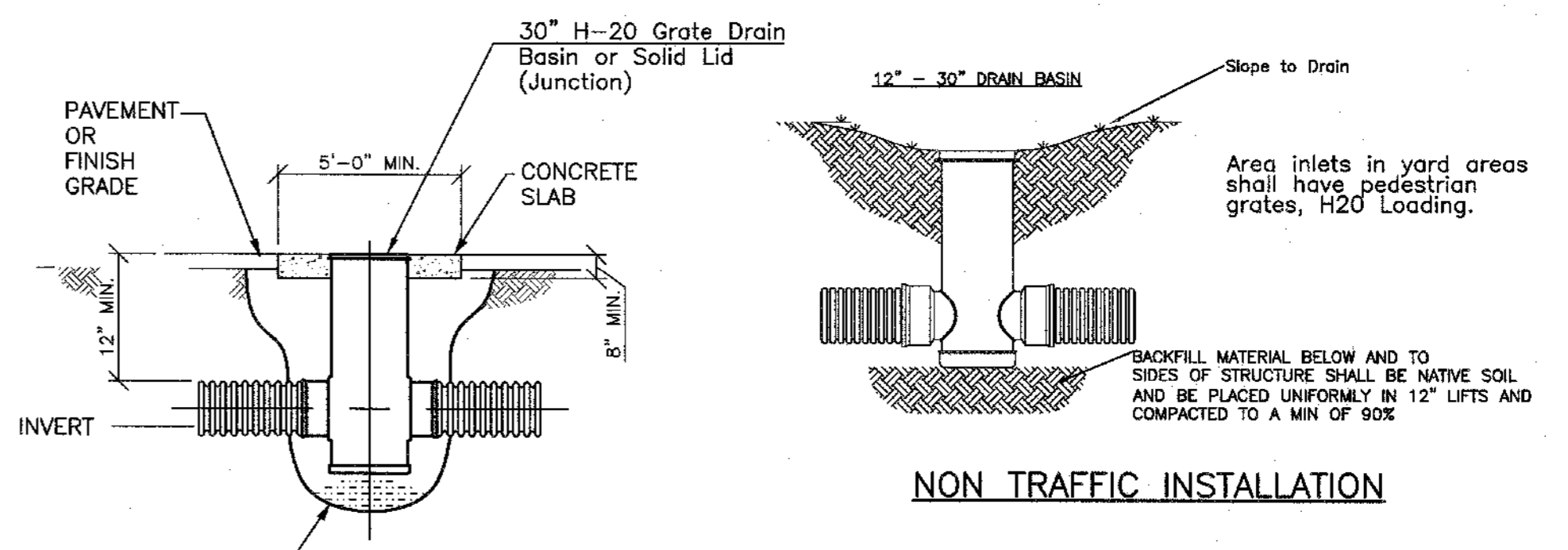


- Notes:**
- All material and installation methods must meet manufacturer's recommendations.
 - Filter socks are to be compost filled. Compost must meet State and Federal regulations for compost.
 - For drains and inlets that have only curb cuts without street grates a spacer is required in order to keep the filter sock away from the drain opening. This spacer should be hog wire screen bend to overlap the drain opening and keep the sock from falling into the opening. Use at least one spacer for every 4 feet of curb drain opening.
 - During installation compact filter sock to be slightly shorter than curb height.

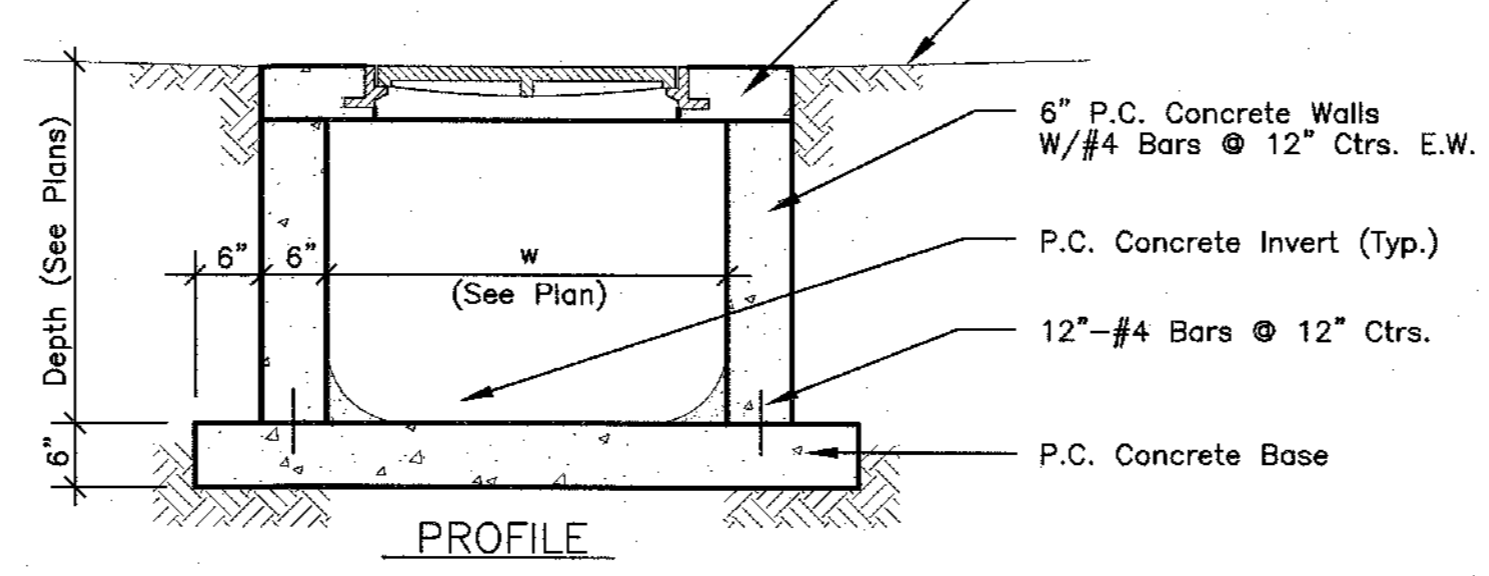
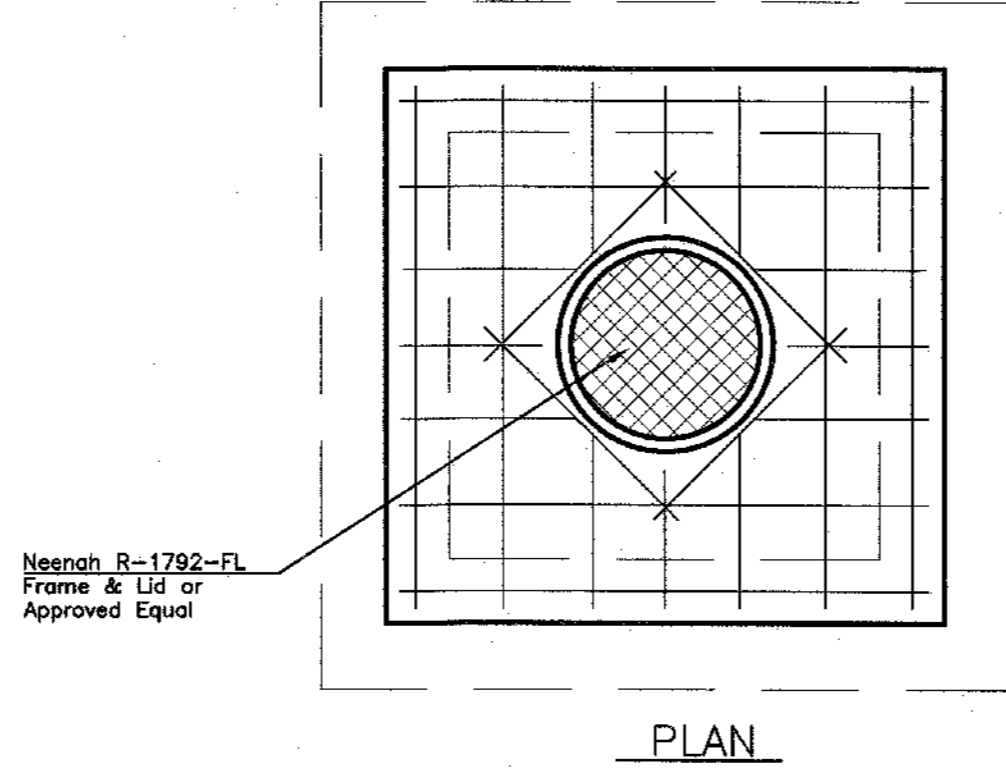
2 FILTER SOCK-CURB INLET
C0.52 N.T.S.



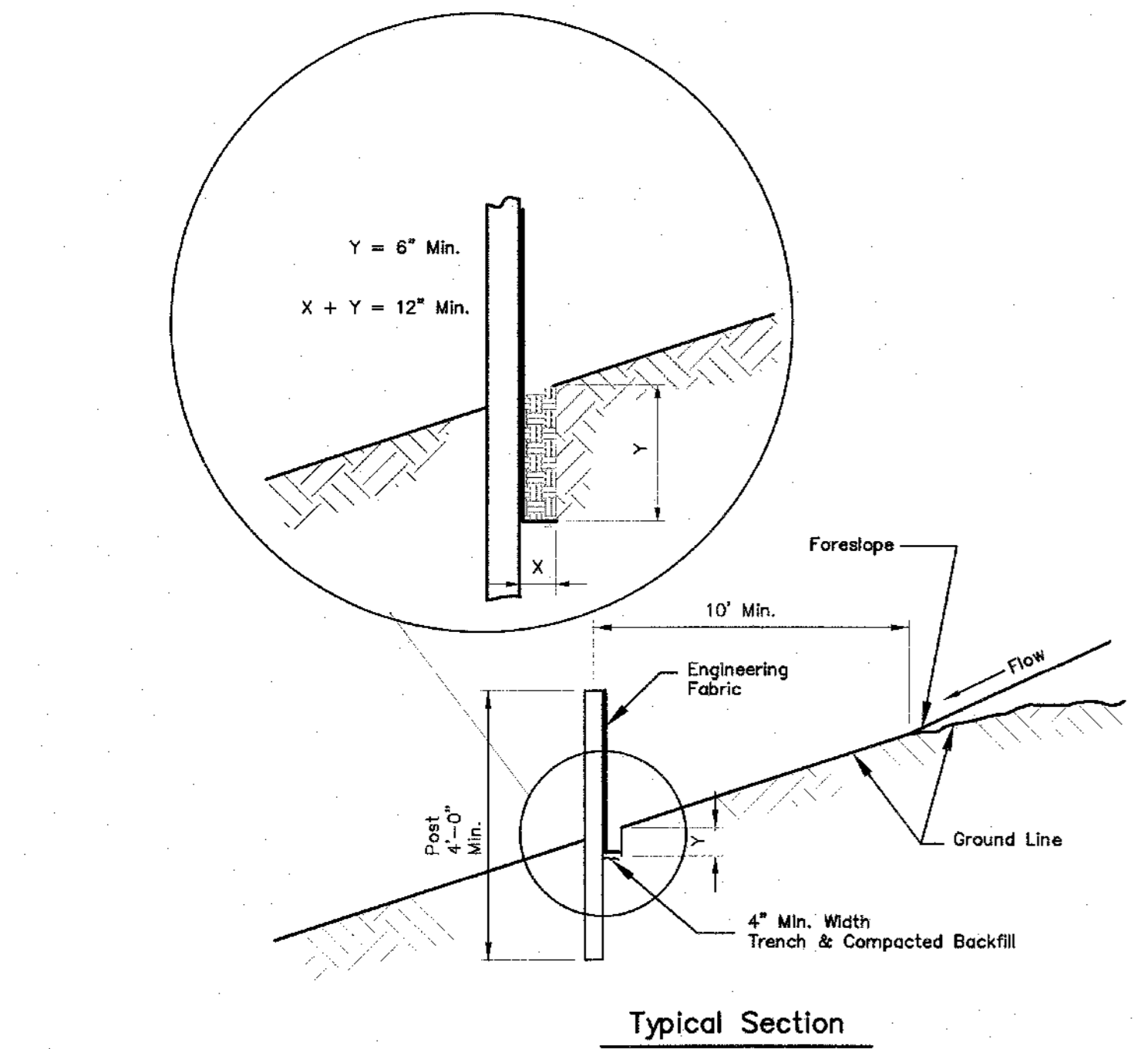
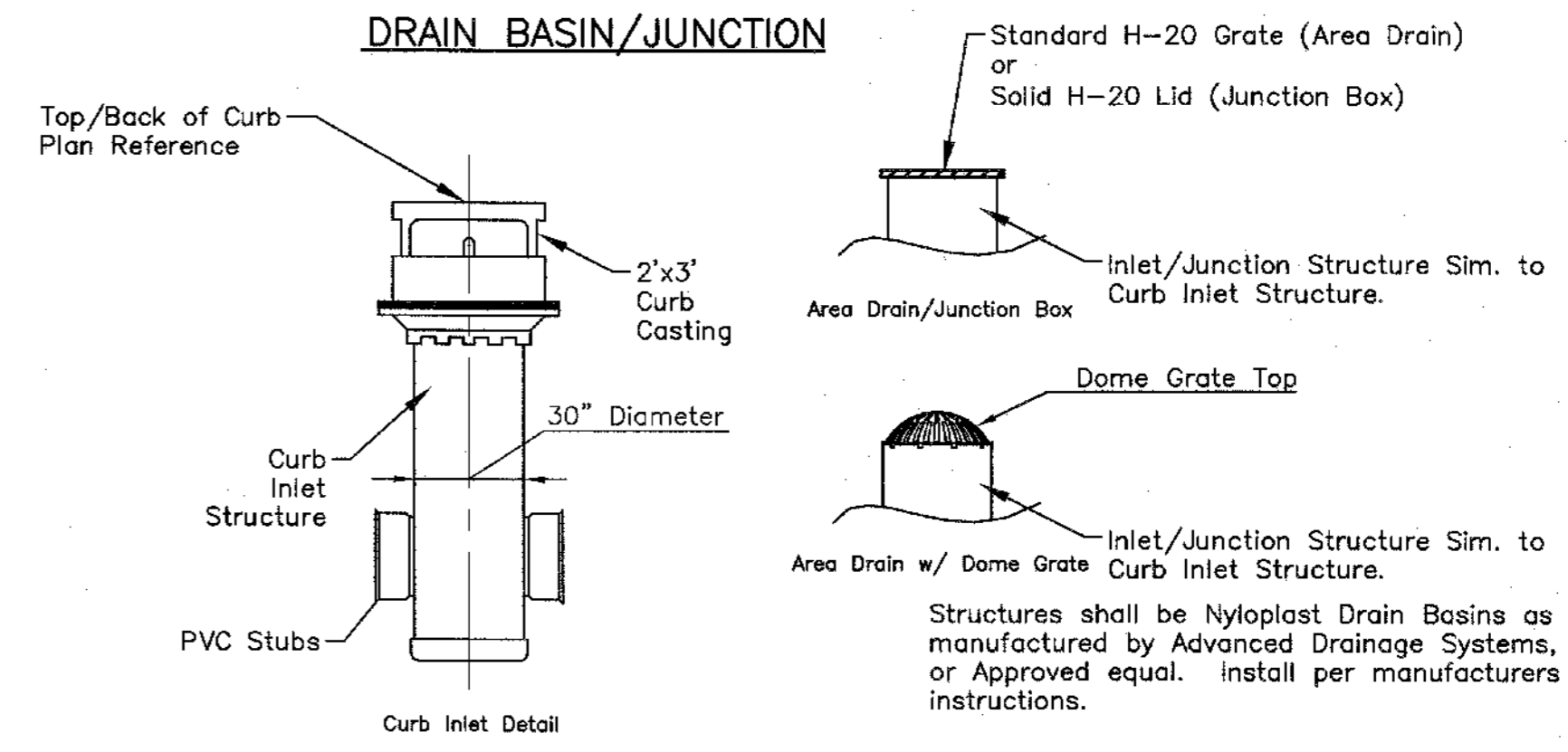
5 STABILIZED CONSTRUCTION ENTRANCE
C0.52 N.T.S.



9 NYLOPLAST STRUCTURES & GRATES
C0.52 N.T.S.

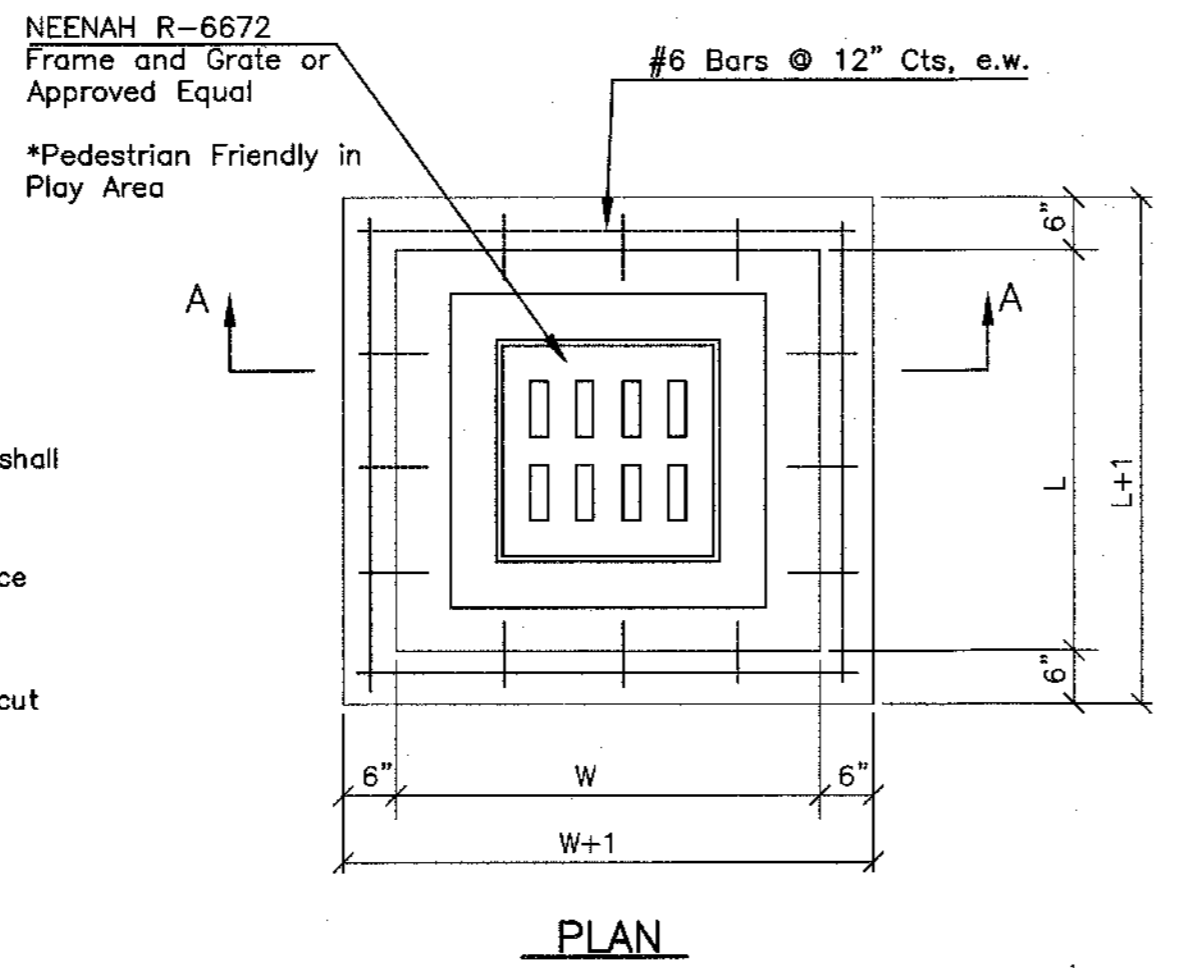


6 JUNCTION BOX
C0.52 N.T.S.

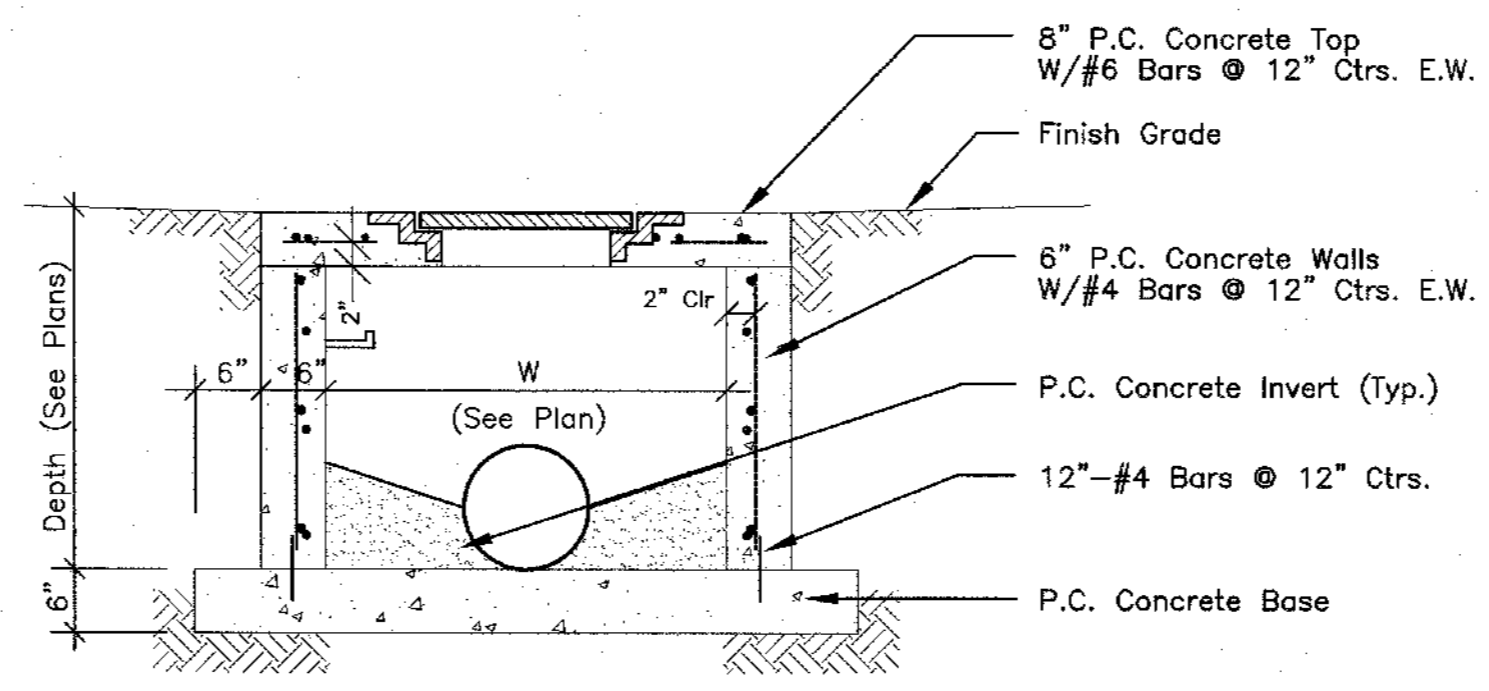


- General Notes**
- Minimum longitudinal splice overlap shall be 2' with a post at each end. Secure fabric to posts.
 - Support fence required with silt fence around drop inlet or when used across ditch.
 - Install around inlets and additional out areas.

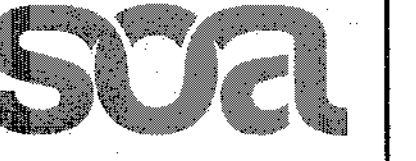
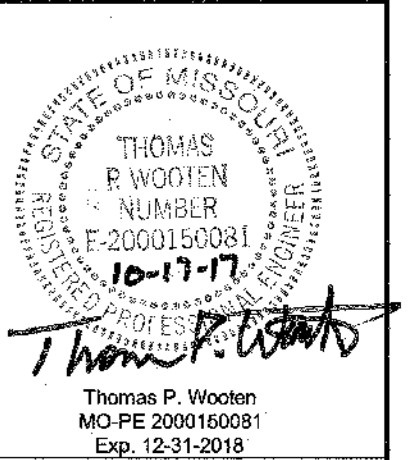
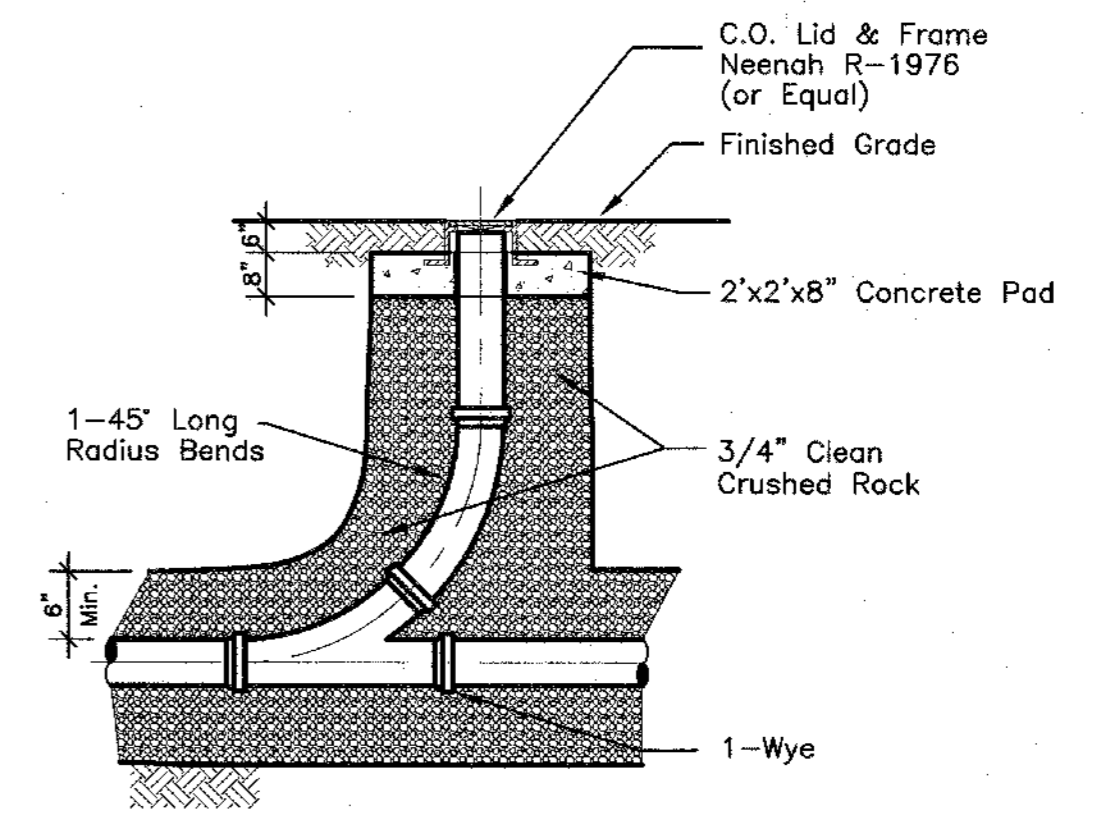
3 SILT FENCE
C0.52 N.T.S.



7 AREA INLET
C0.52 N.T.S.



10 TYPICAL CLEANOUT
C0.52 N.T.S.



Architecture
Interior Design
Planning
Sustainability
2801 Woodard Drive, Suite 103
Columbia, MO 65202
573.443.1407
www.soa-inc.com

Missouri Certificate of Authority Number: 000826



2801 Woodard Drive, Suite 105
Columbia, MO 65202
573.443.1407



1901 Pennsylvania Dr.
Columbia, MO 65202
573.814.1568
MO COA No. E-2006023253
Exp. December, 31 2018

City of Columbia Parks and Recreation Department
Clary Shy Agriculture Park
1751, 1769, & 1857 WEST ASH ST
COLUMBIA, MO 65203

ISSUE FOR PERMIT	
REVISION	DATE

DETAILS

C0.52

SOA PROJECT 16052
If you must print this drawing, please recycle.