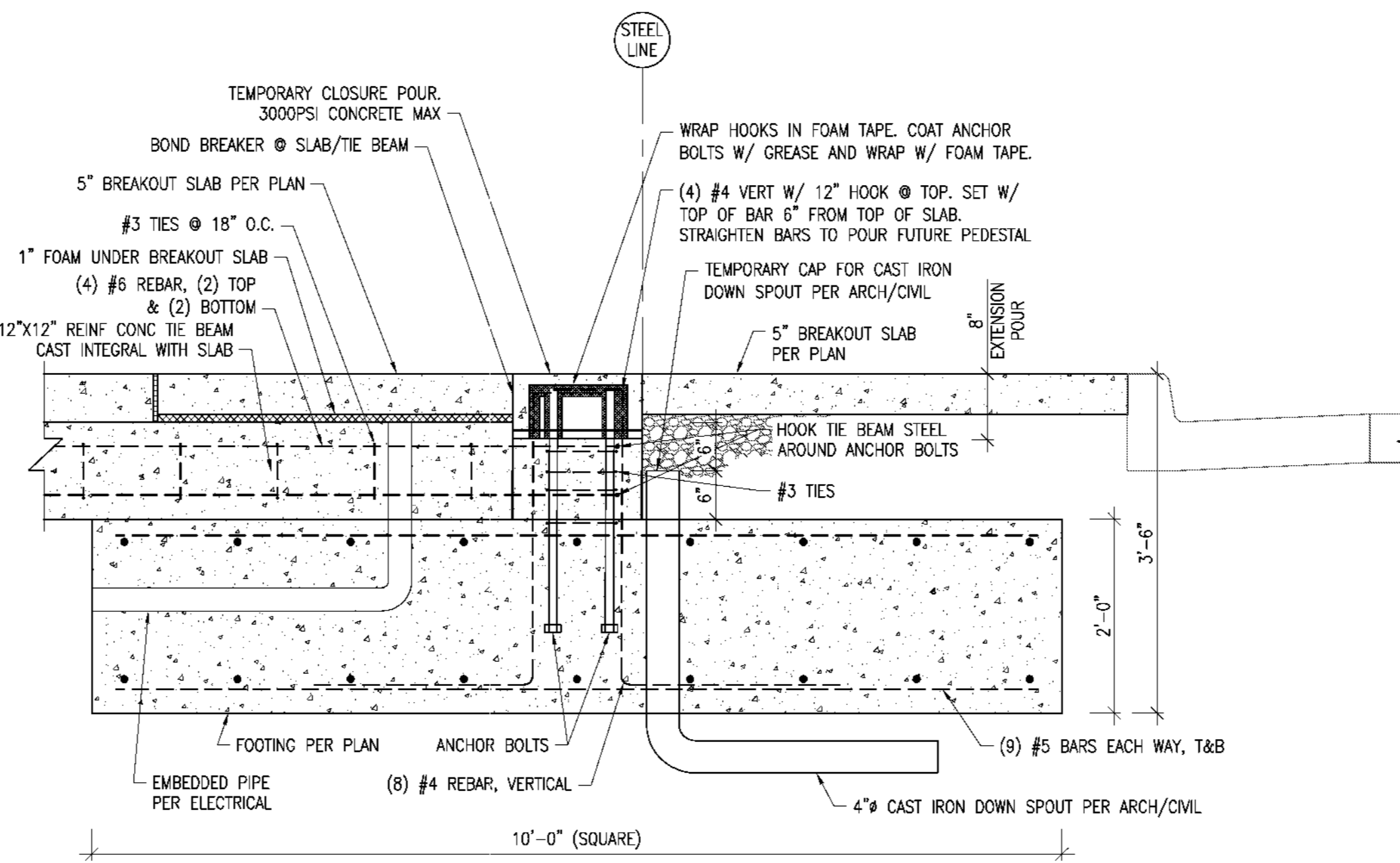
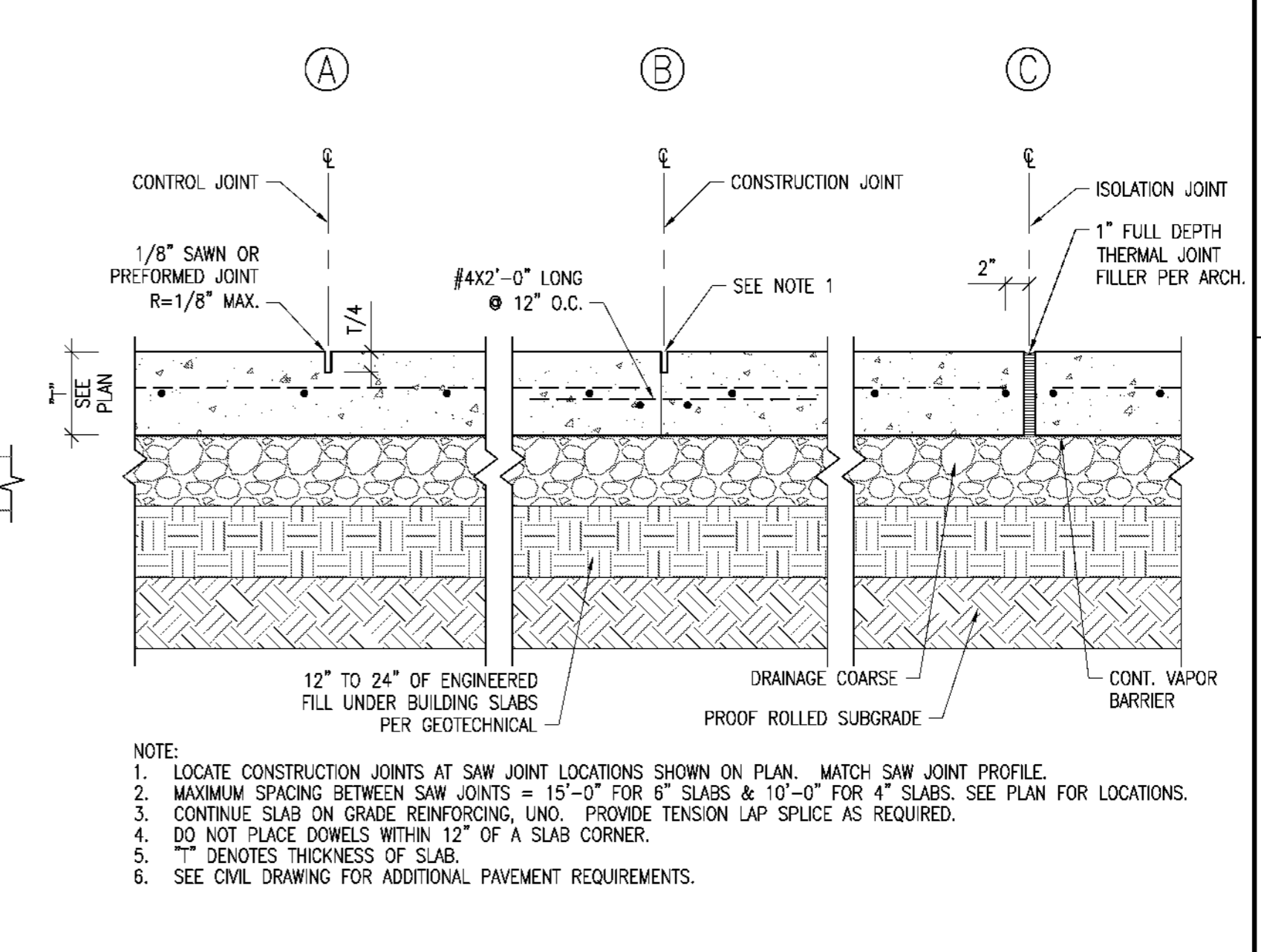


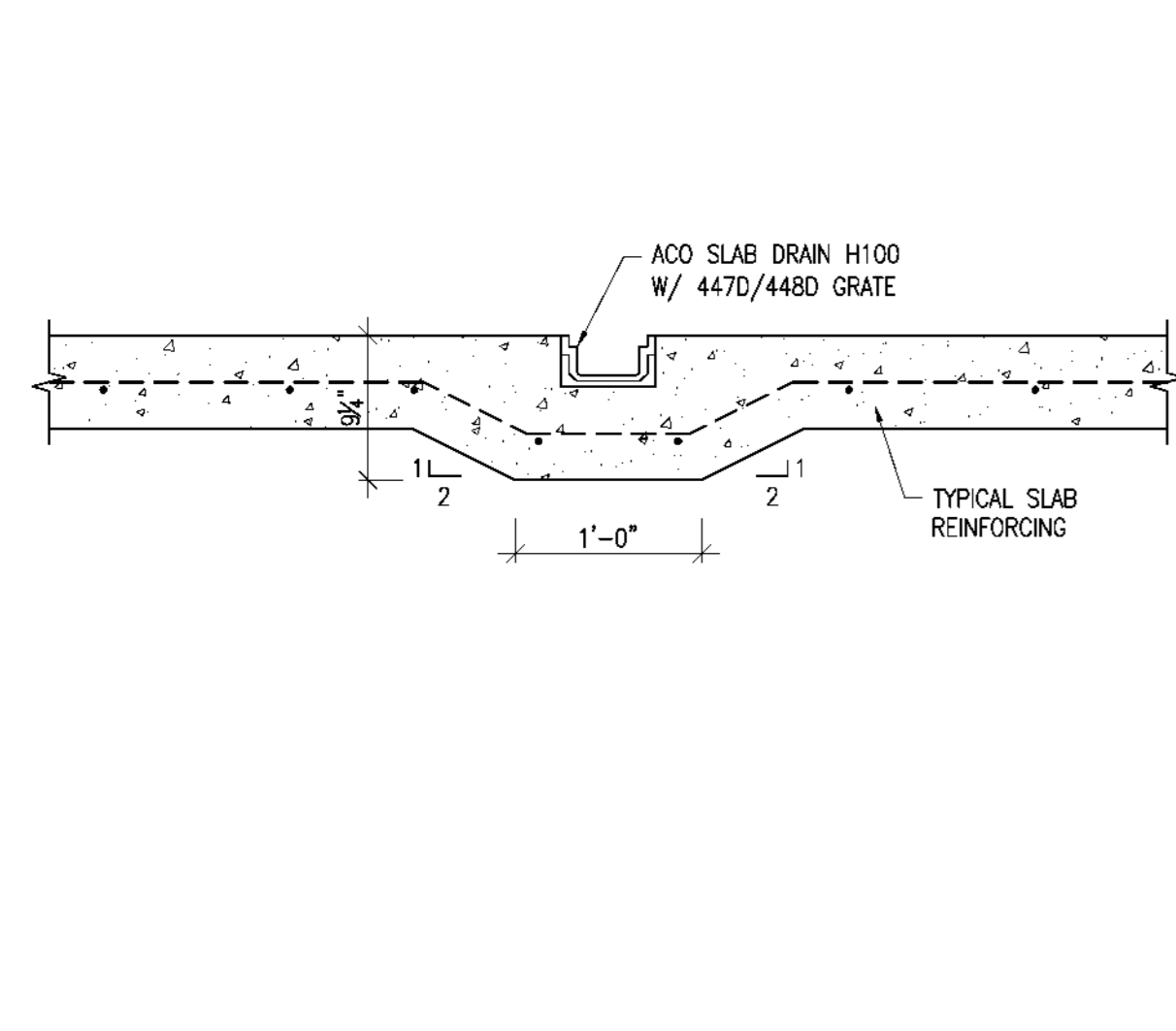
1 SECTION AT FOOTING
S1.51



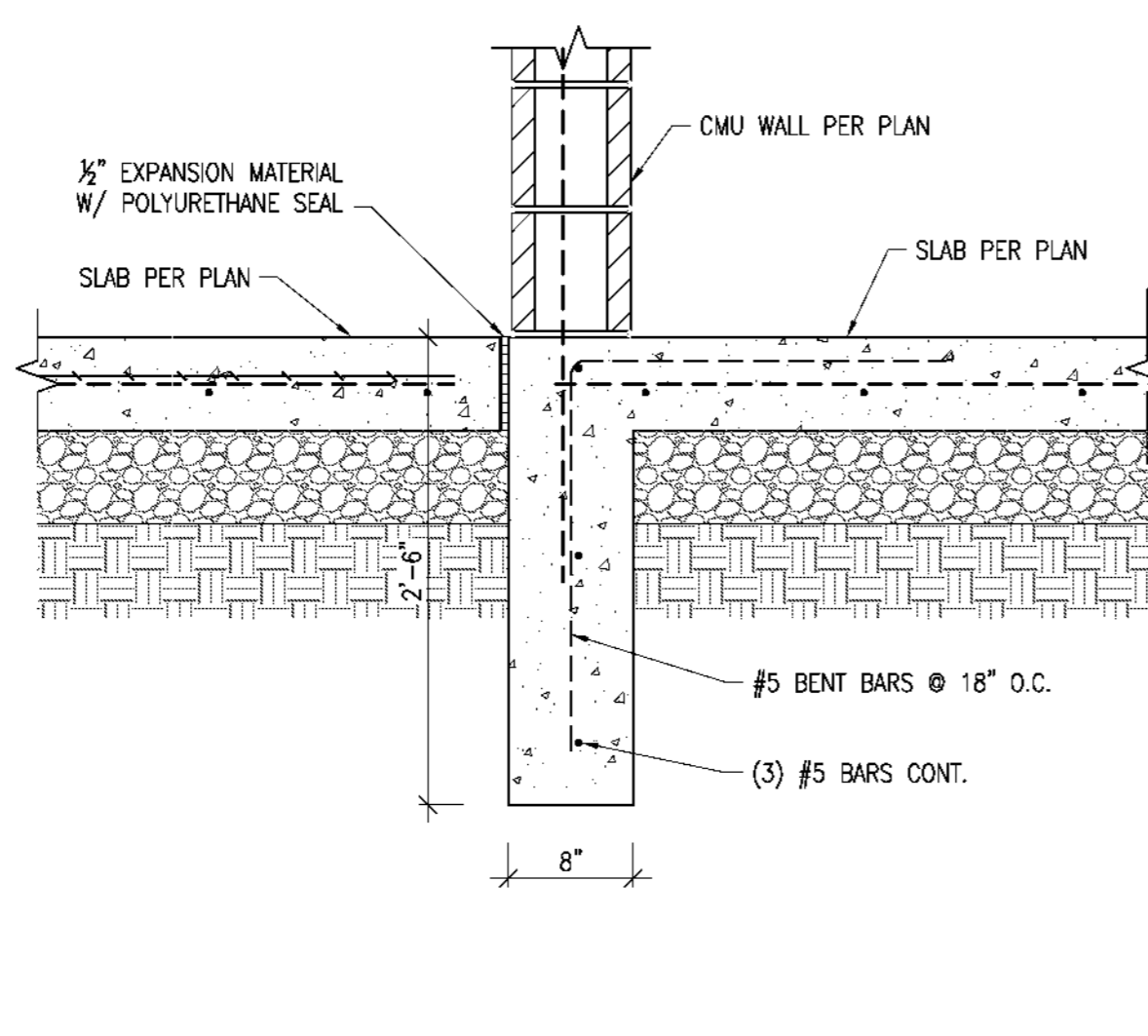
2 SECTION AT FUTURE COLUMN LOCATION
S1.51



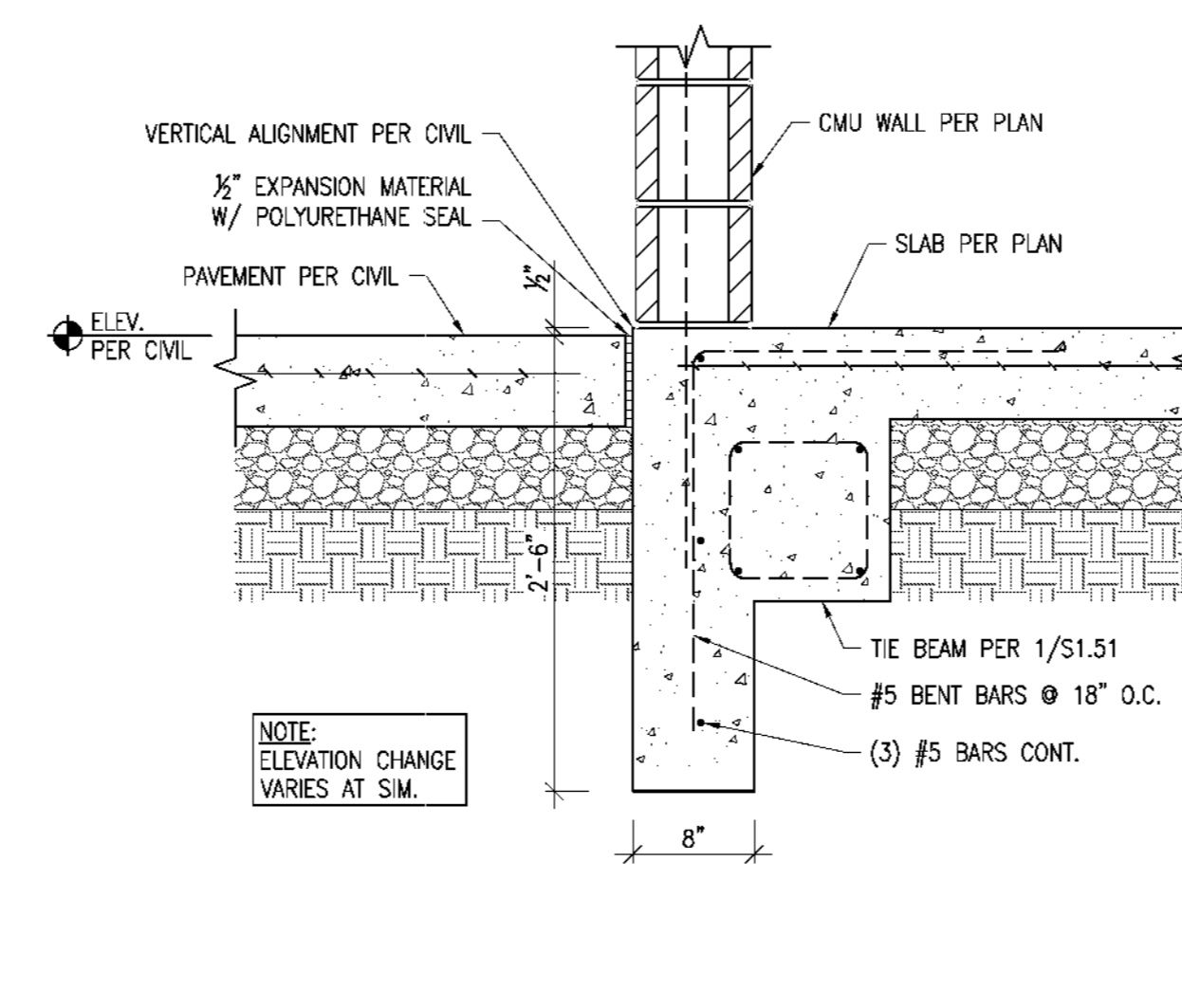
3 TYPICAL CONTROL/CONSTRUCTION JOINTS
S1.51



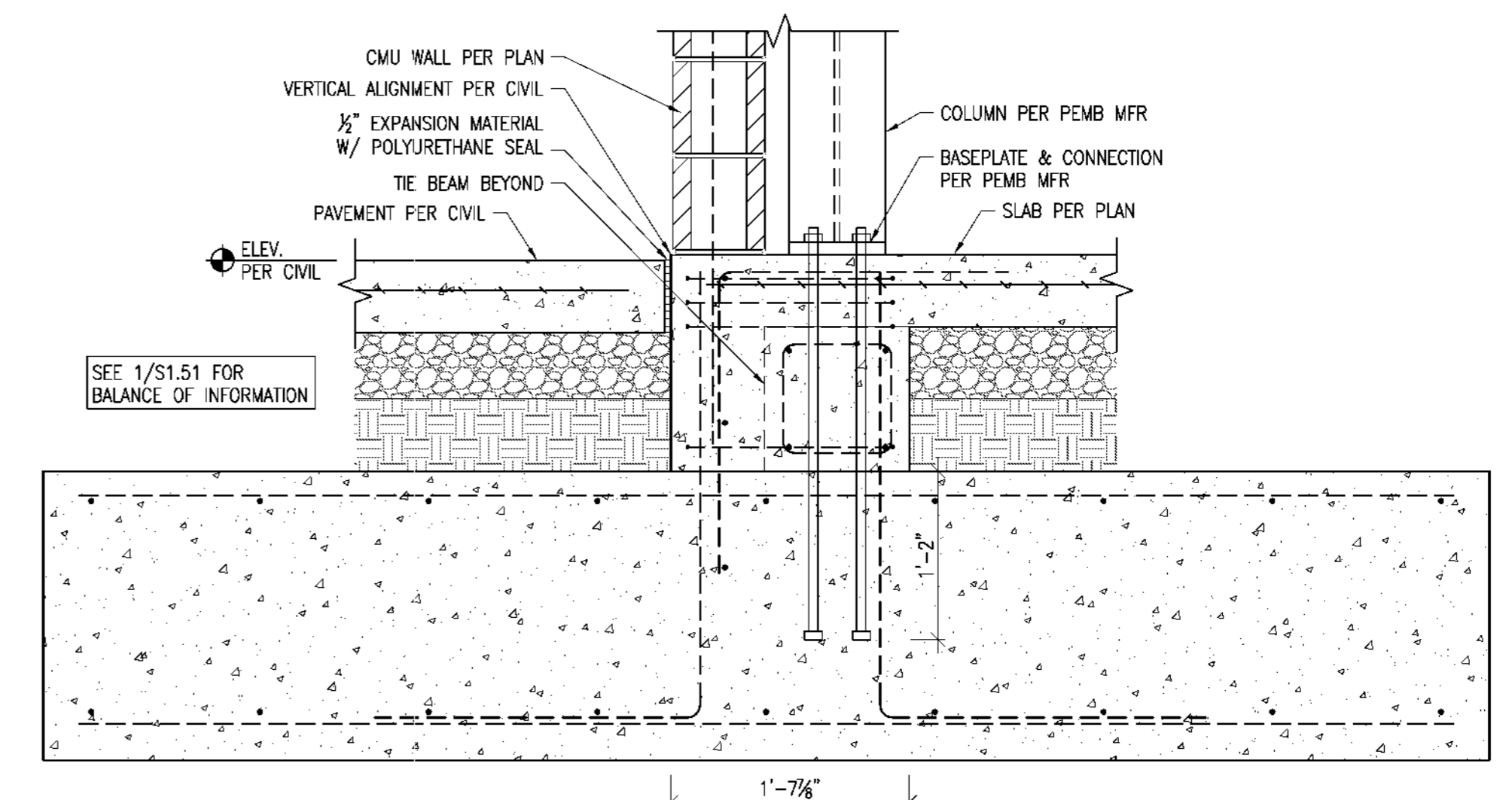
4 SECTION AT TRENCH DRAIN
S1.51



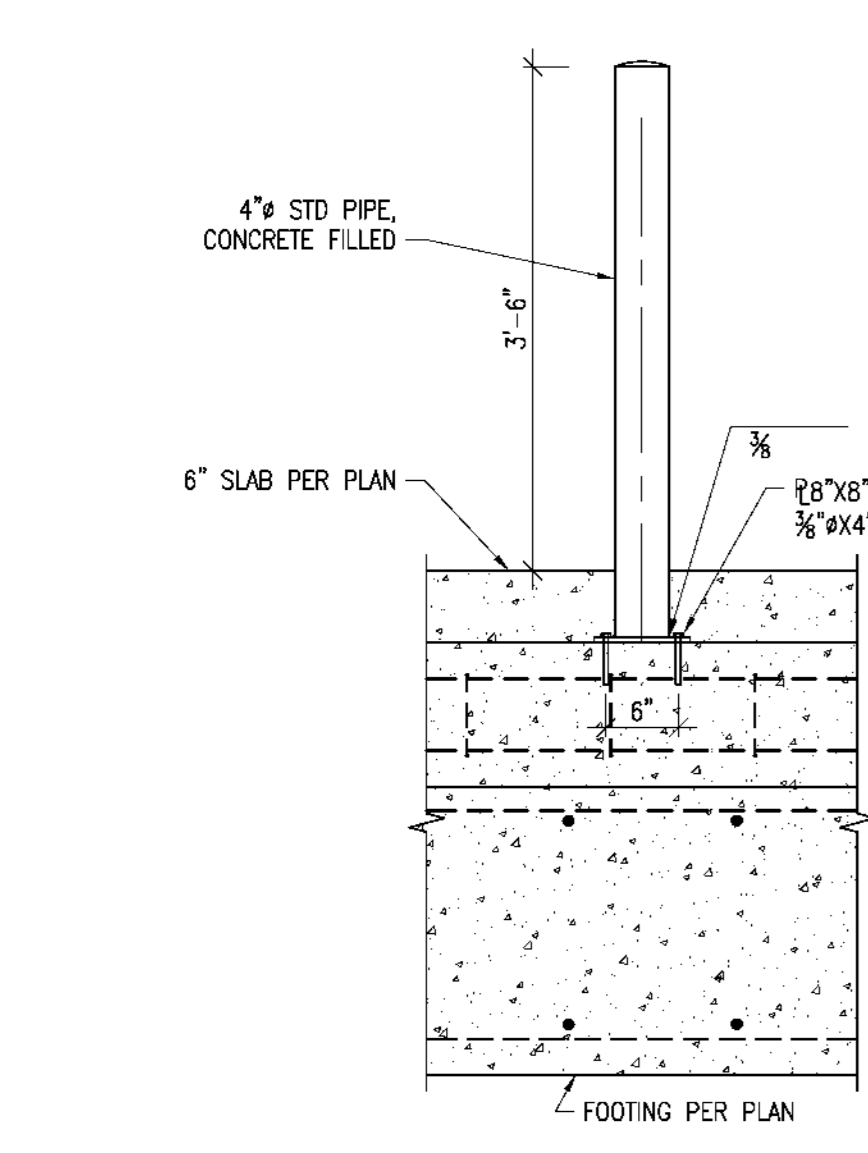
5 SECTION AT CMU
S1.51



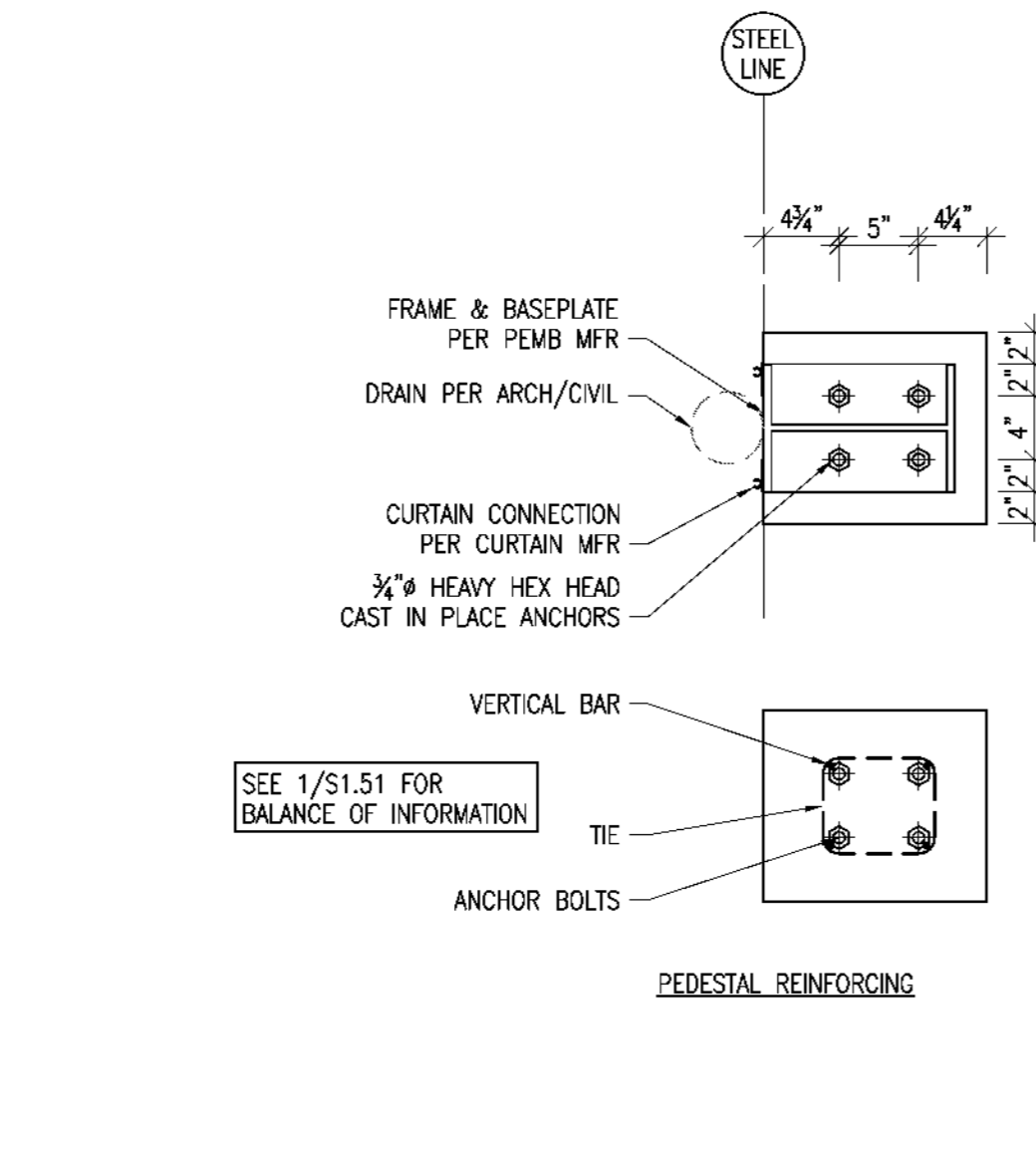
6 SECTION AT CMU
S1.51



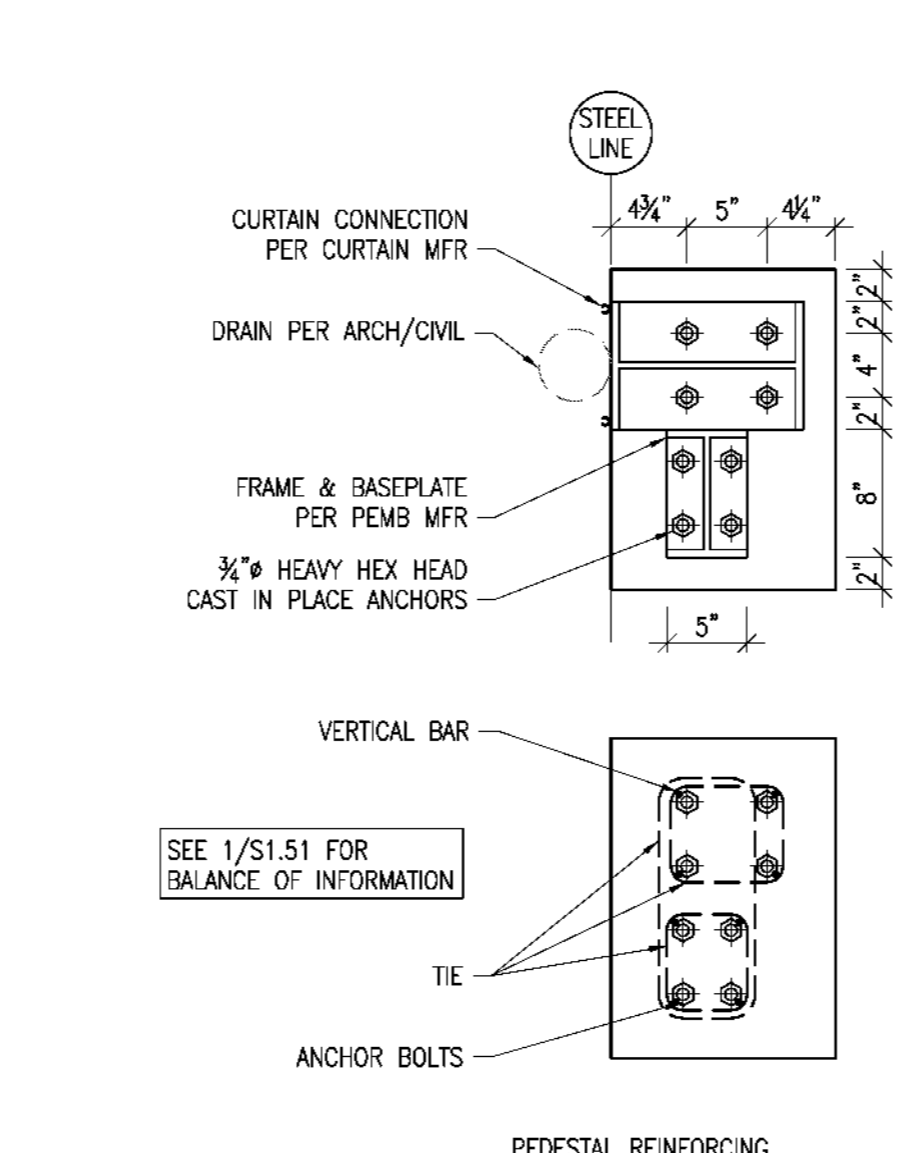
7 SECTION AT COLUMN BY CMU
S1.51



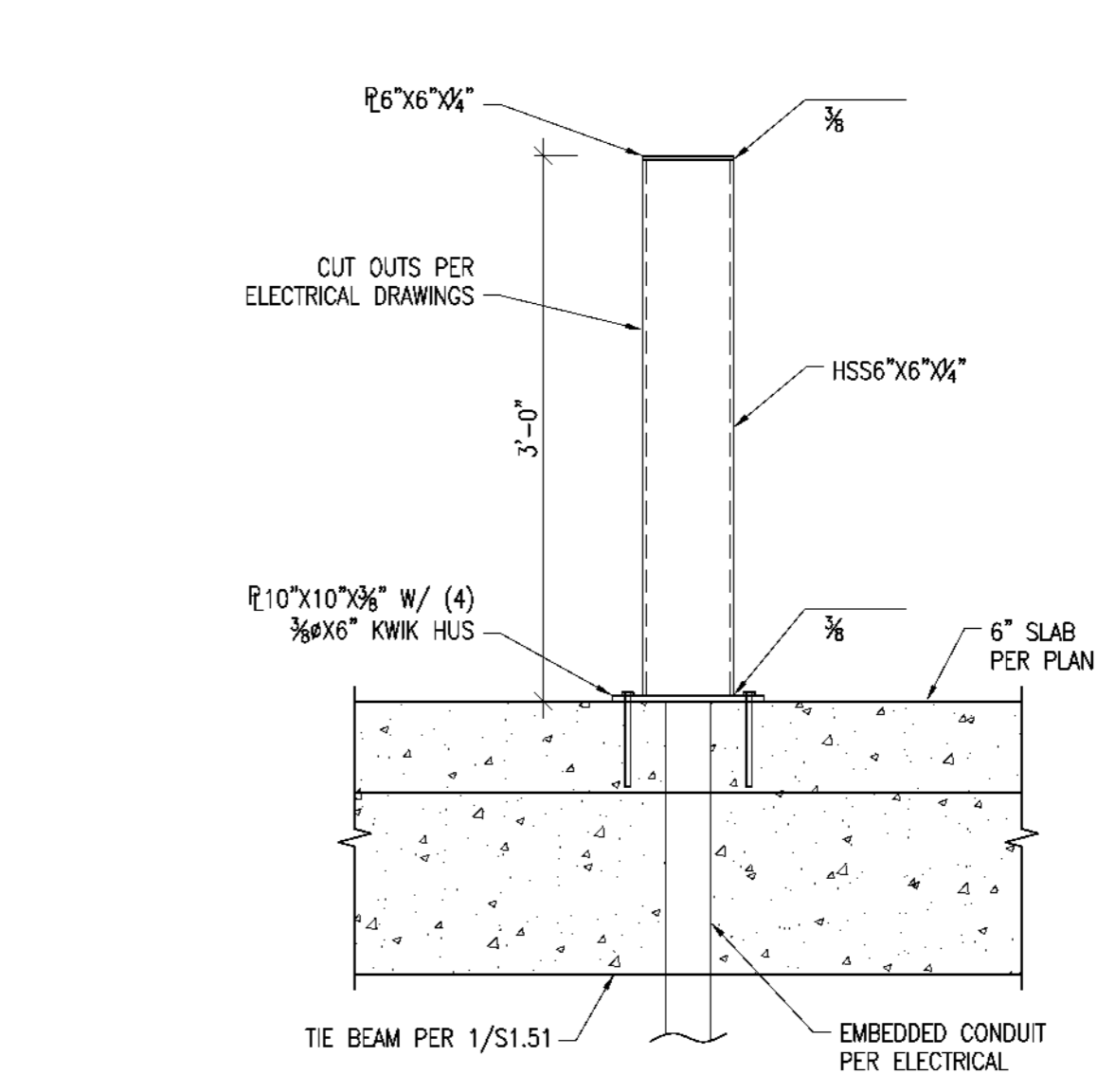
8 SAFETY BOLLARD DETAIL
S1.51



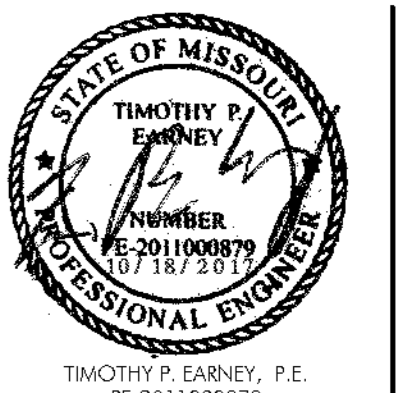
9 BASE CONNECTION AT TYPICAL COLUMN
S1.51



10 BRACE CONNECTION AT BRACE FRAME
S1.51



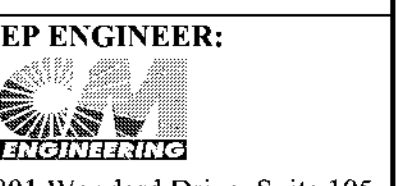
11 ELECTRICAL BOLLARD
S1.51



Architecture
Interior Design
Planning
Sustainability

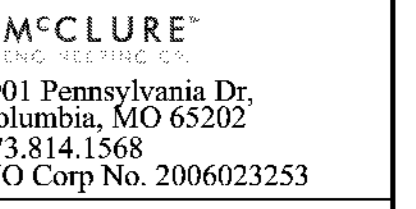
2801 Woodard Drive, Suite 103
Columbia, MO 65202
573.443.1407
www.soa-inc.com

Missouri Certificate of Authority Number: 000826



2801 Woodard Drive, Suite 105
Columbia, MO 65202
573.443.1407

CIVIL & STRUCTURAL:



1901 Pennsylvania Dr.
Columbia, MO 65202
573.814.1568
MO Corp No. 2006023253

City of Columbia Parks and Recreation Department
Clary Shy Agriculture Park
1751, 1769, & 1857 WEST ASH ST
COLUMBIA, MO 65203

ISSUE FOR PERMIT

October 19, 2017	DATE
REVISION	DATE

FARMER'S MARKET BUILDING DETAILS

S1.51

SOA PROJECT 16052

If you must print this drawing, please recycle.

10/18/2017 6:17 PM