

TIMOTHY P. EARNEY, P.E.
E-2011000879
EXPIRES 12/31/17



Architecture
Interior Design
Planning
Sustainability

2801 Woodard Drive, Suite 103
Columbia, MO 65202
573.443.1407

www.soa-inc.com

Missouri Certificate of
Authority Number: 000826

MEP ENGINEER:



2801 Woodard Drive, Suite 105
Columbia, MO 65202
573.443.1407

CIVIL & STRUCTURAL:



1901 Pennsylvania Dr.
Columbia, MO 65202
573.814.1568
MO Corp No. 2006023253

City of Columbia Parks and
Recreation Department
Clary Shy Agriculture Park
1751, 1769, & 1857 WEST ASH ST
COLUMBIA, MO 65203

ISSUE FOR PERMIT

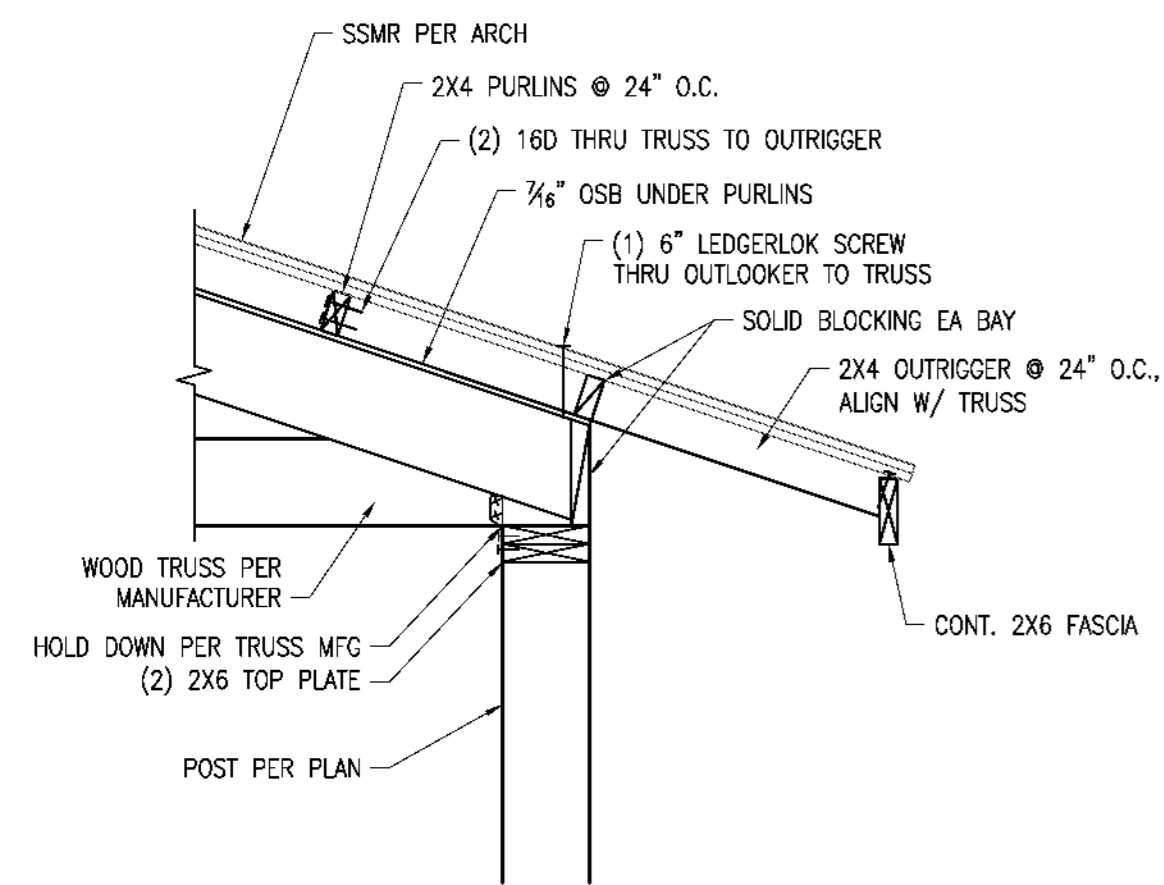
October 19, 2017
REVISION DATE

OUTDOOR
CLASSROOM DETAILS

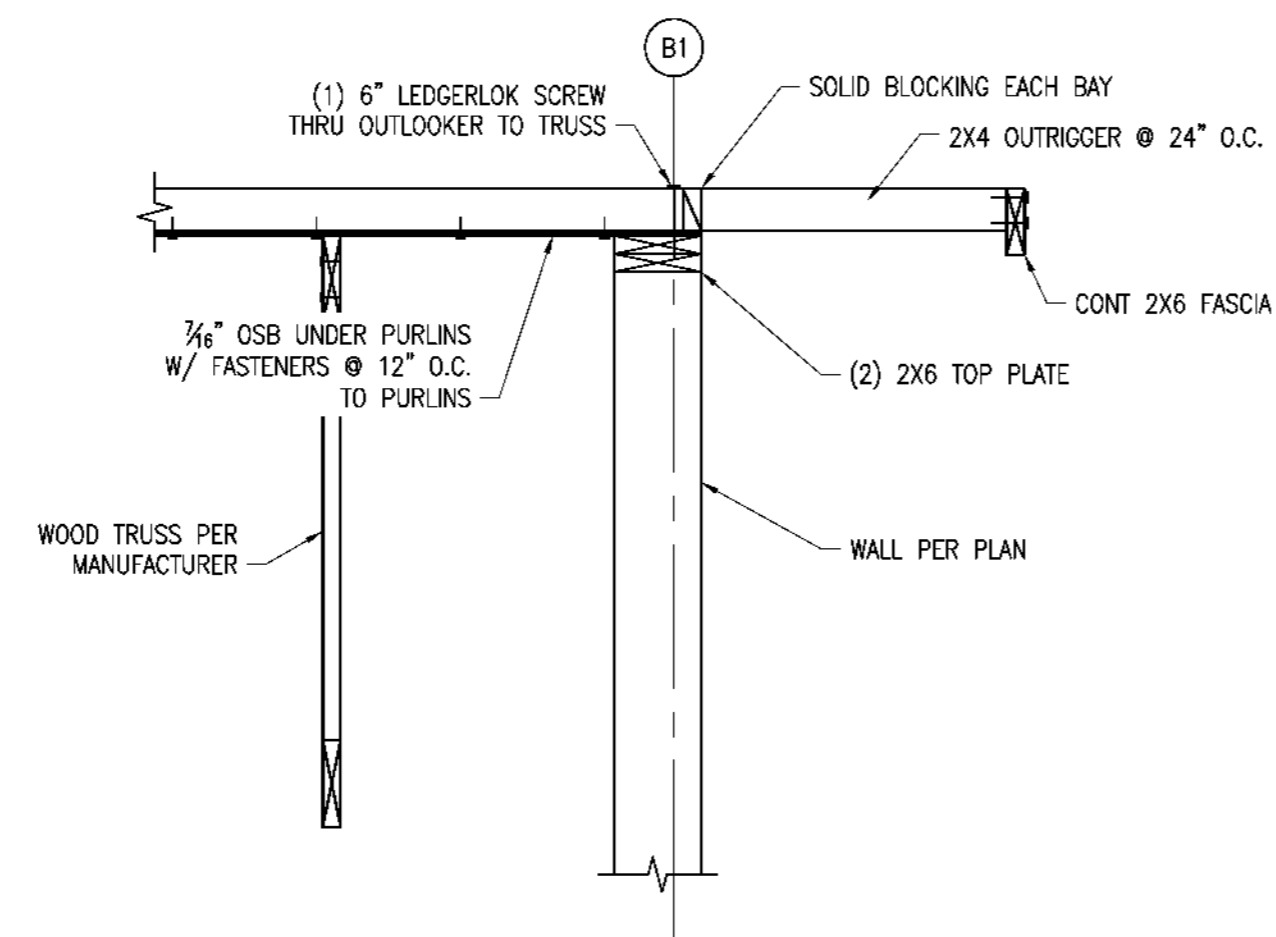
S3.52

SOA PROJECT 16052

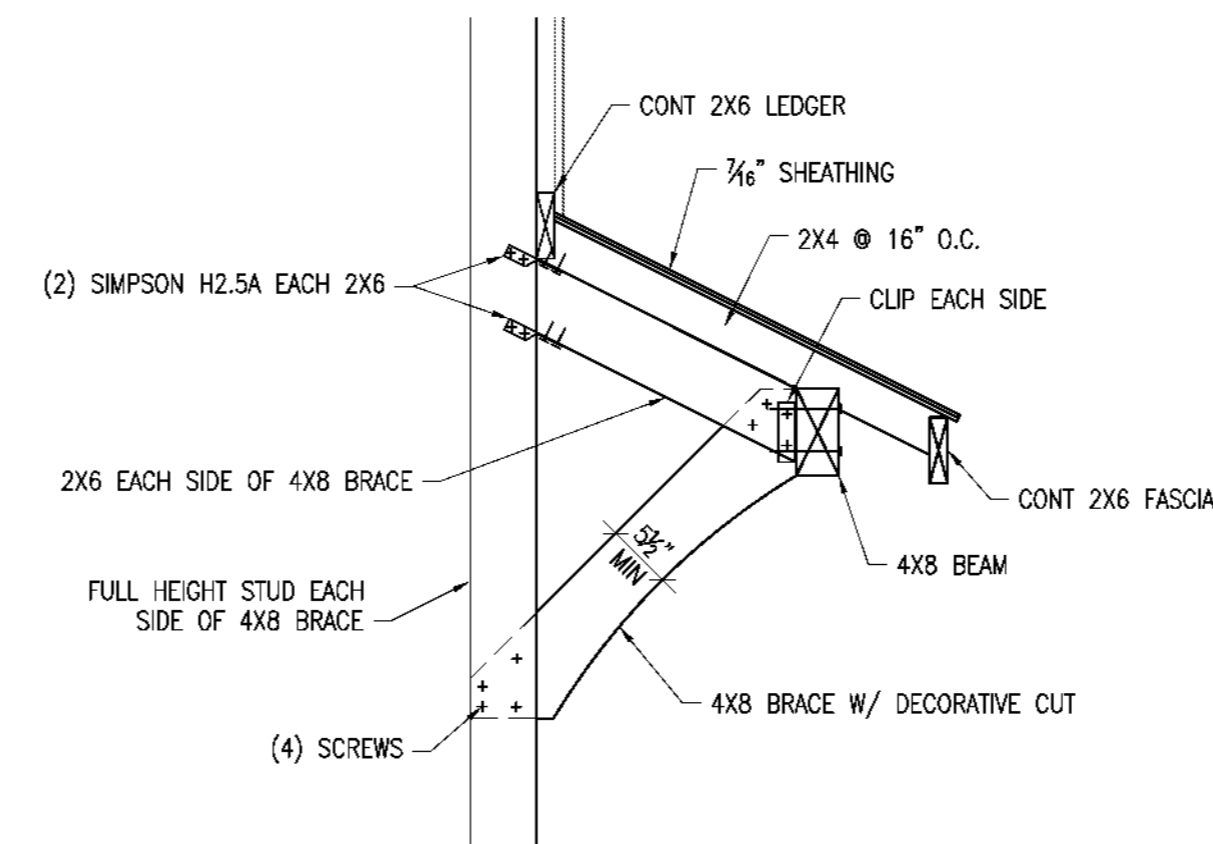
If you must print this drawing, please
recycle



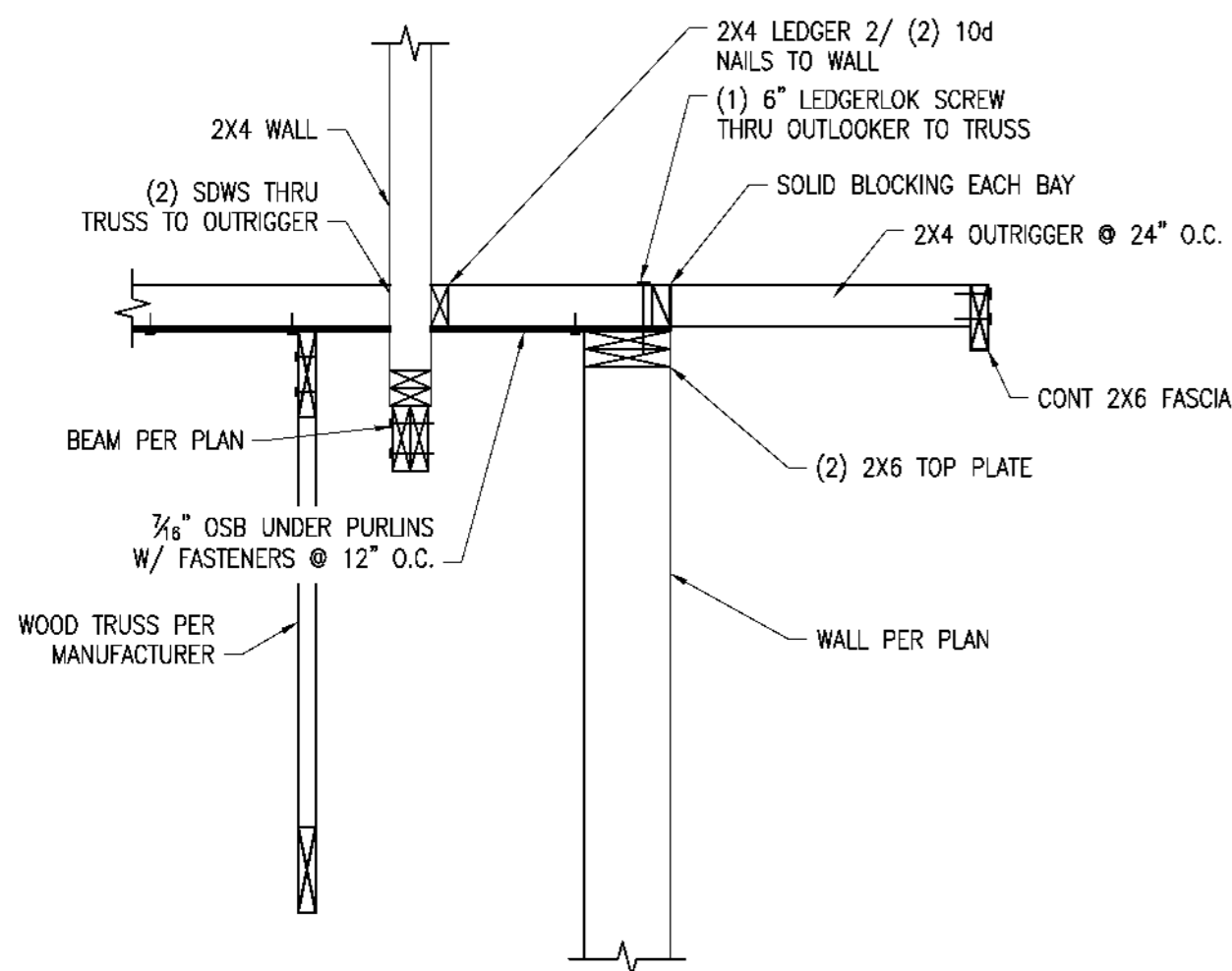
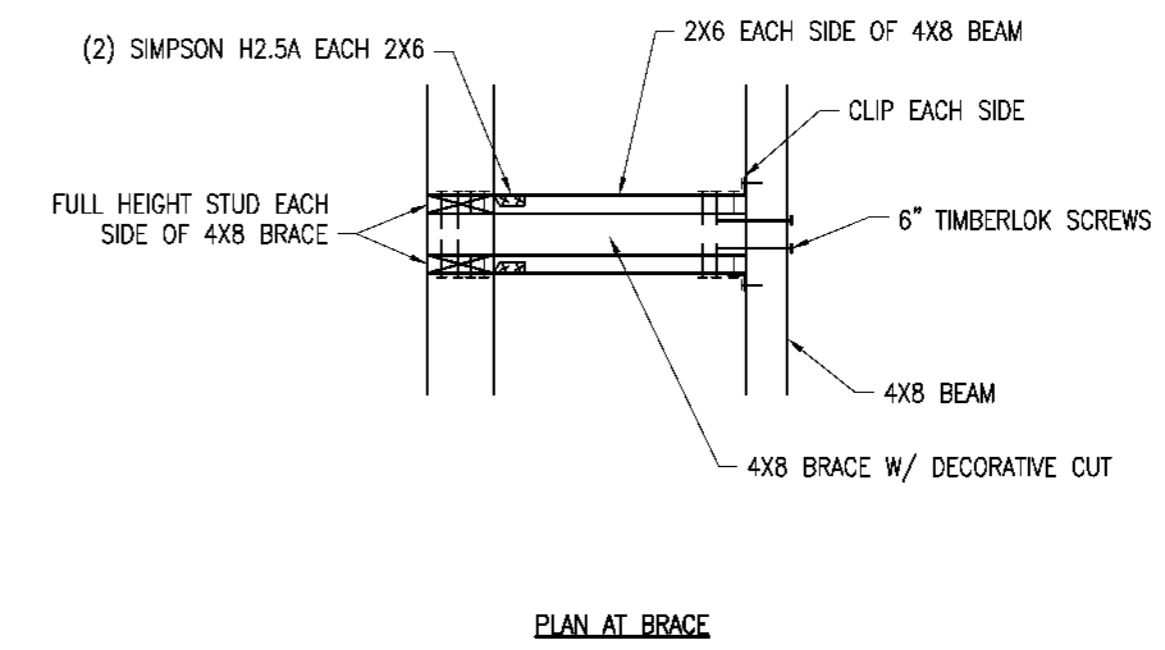
1 TYPICAL TRUSS BEARING AT WALL
S3.52 3/4"=1'-0"



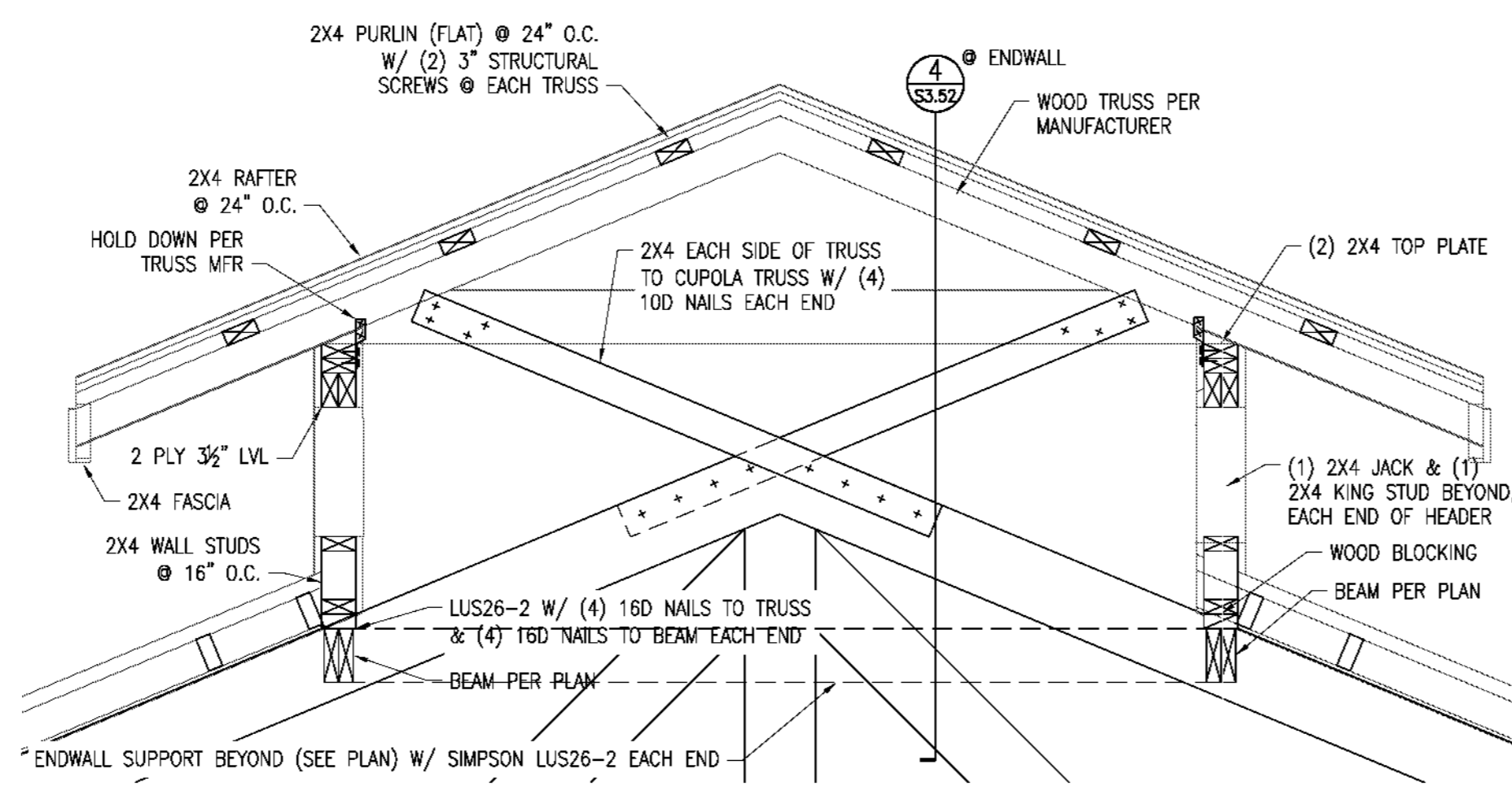
2 RAKE AT WALL
S3.52 3/4"=1'-0"



3 CANOPY SUPPORT
S3.52 3/4"=1'-0"



4 CANOPY SUPPORT
S3.52 3/4"=1'-0"



5 SECTION AT CUPOLA
S3.52 3/4"=1'-0"