

MIDWEST ENGINEERING & DESIGN  
MECH / ELEC / PLUMBING ENGINEER  
Missouri State Certificate of Authority #2010032467

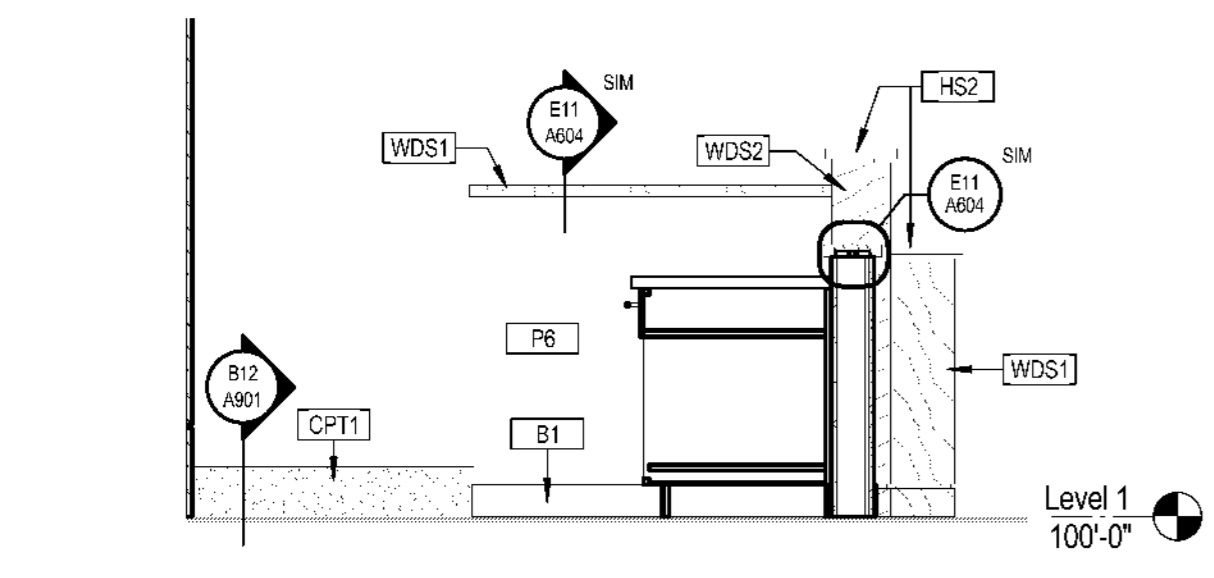
The Architects Alliance inc.  
Missouri State Certificate of Authority # 000143  
631 West Main Street  
Jefferson City, Missouri  
(573) 636-5000 phone

INTERIOR DETAILS

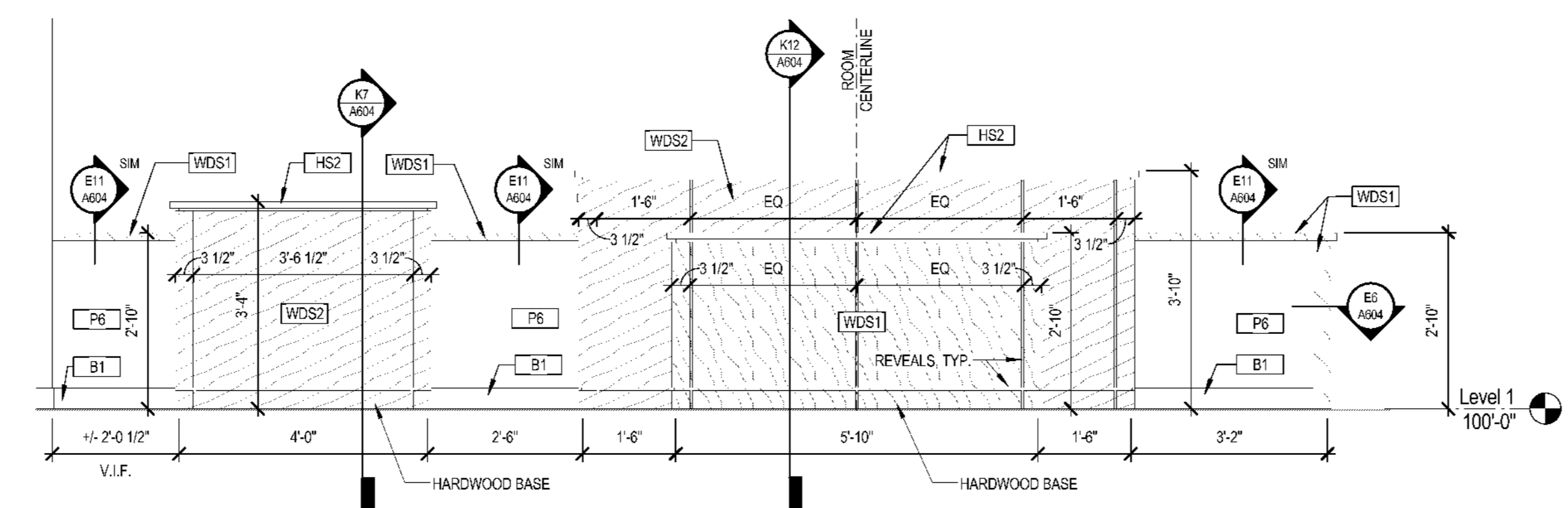
JEFFERSON CITY MUNICIPAL COURT  
RELOCATION AND RENOVATION  
427 Monroe Street  
Jefferson City, Missouri

PROJECT NO. 1637  
DATE: 03-01-2018

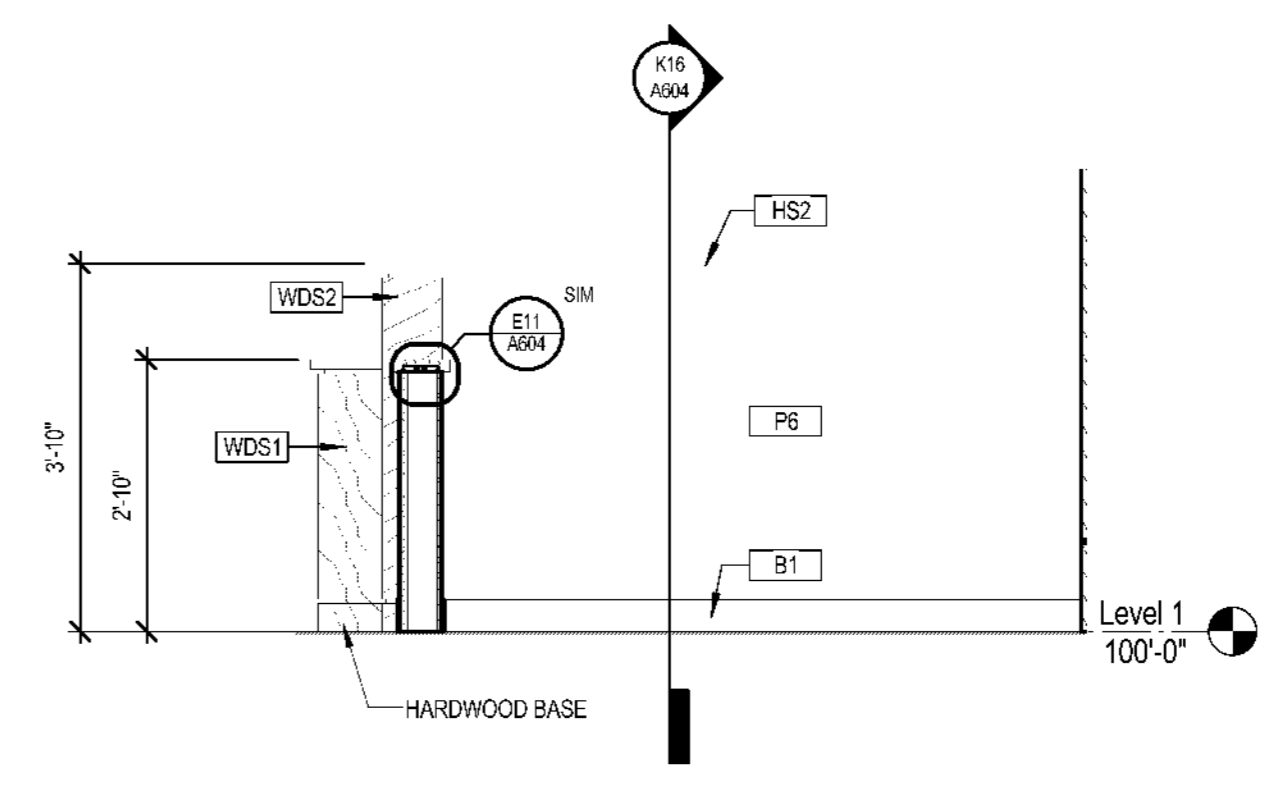
A604



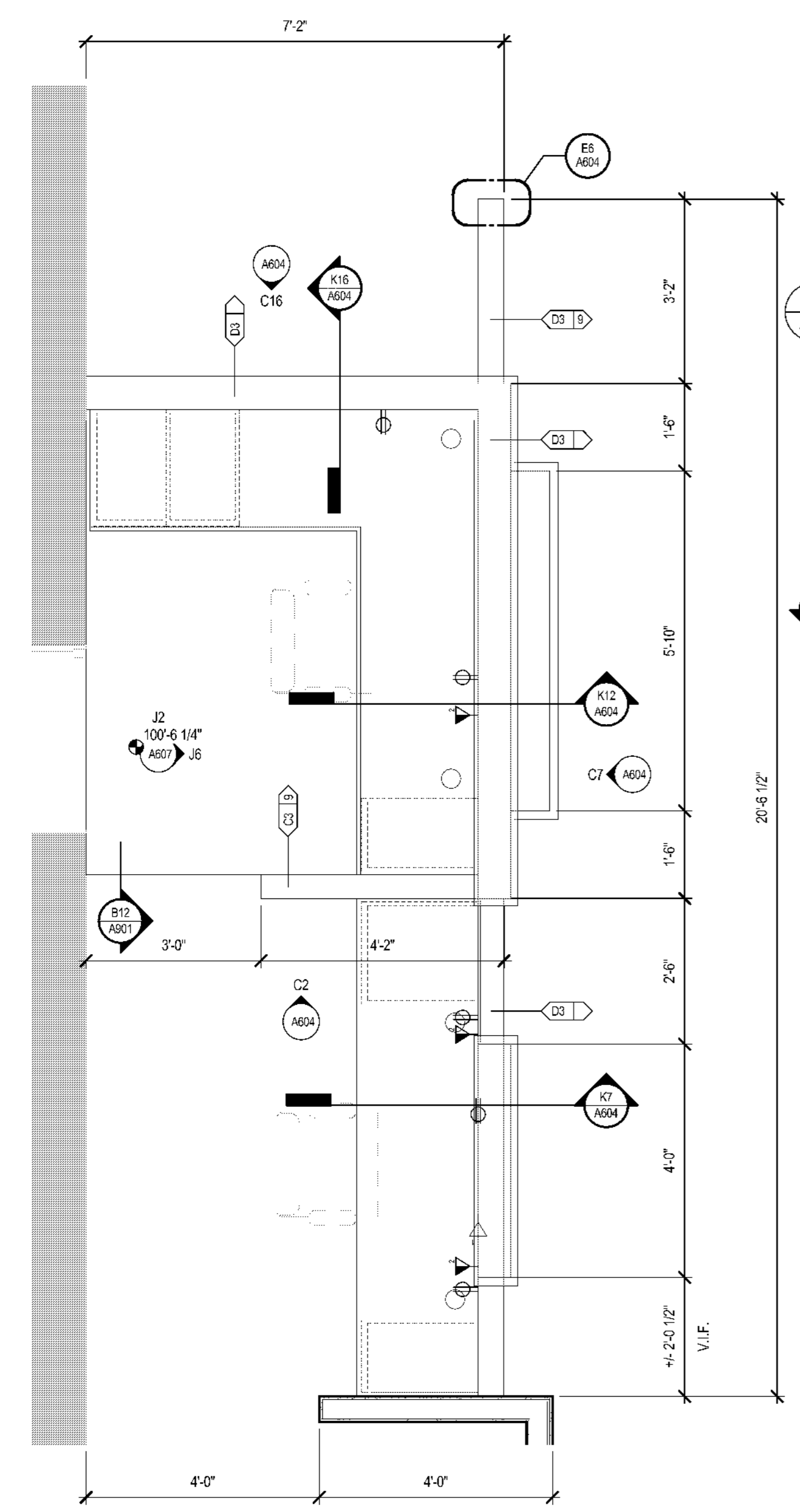
C2 ELEVATION- JUDGE'S BENCH SOUTH  
SCALE: 1/2" = 1'-0"



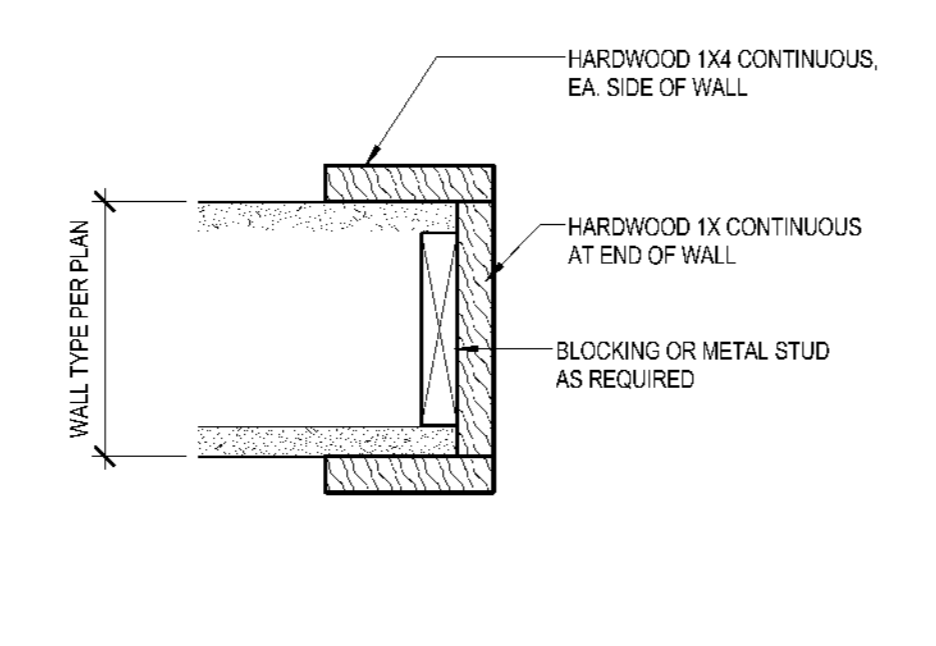
C7 ELEVATION- JUDGE'S BENCH FRONT  
SCALE: 1/2" = 1'-0"



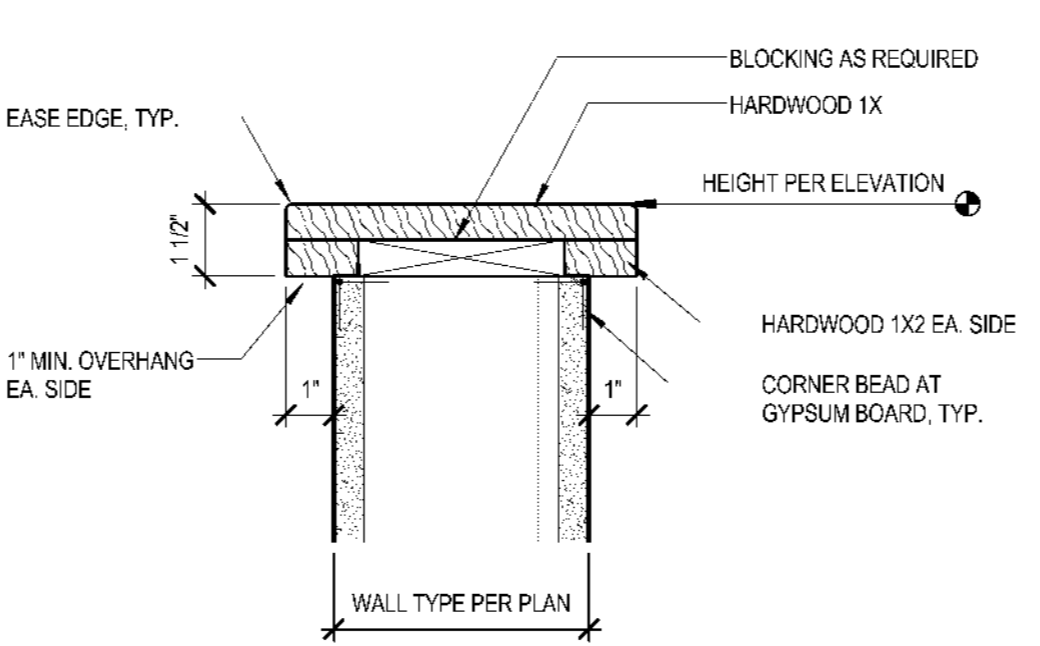
C16 ELEVATION- JUDGE'S BENCH NORTH  
SCALE: 1/2" = 1'-0"



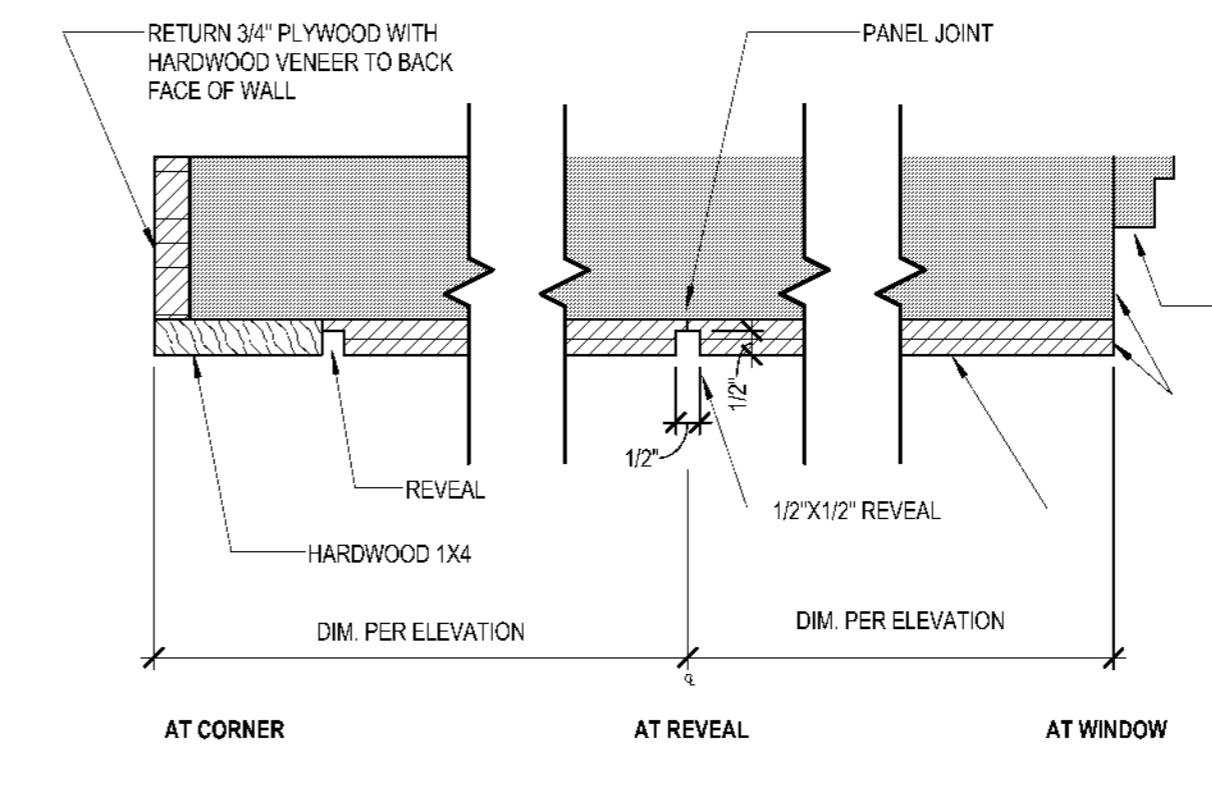
K1 ENLARGED PLAN- JUDGE'S BENCH AND CLERK  
SCALE: 1/2" = 1'-0"



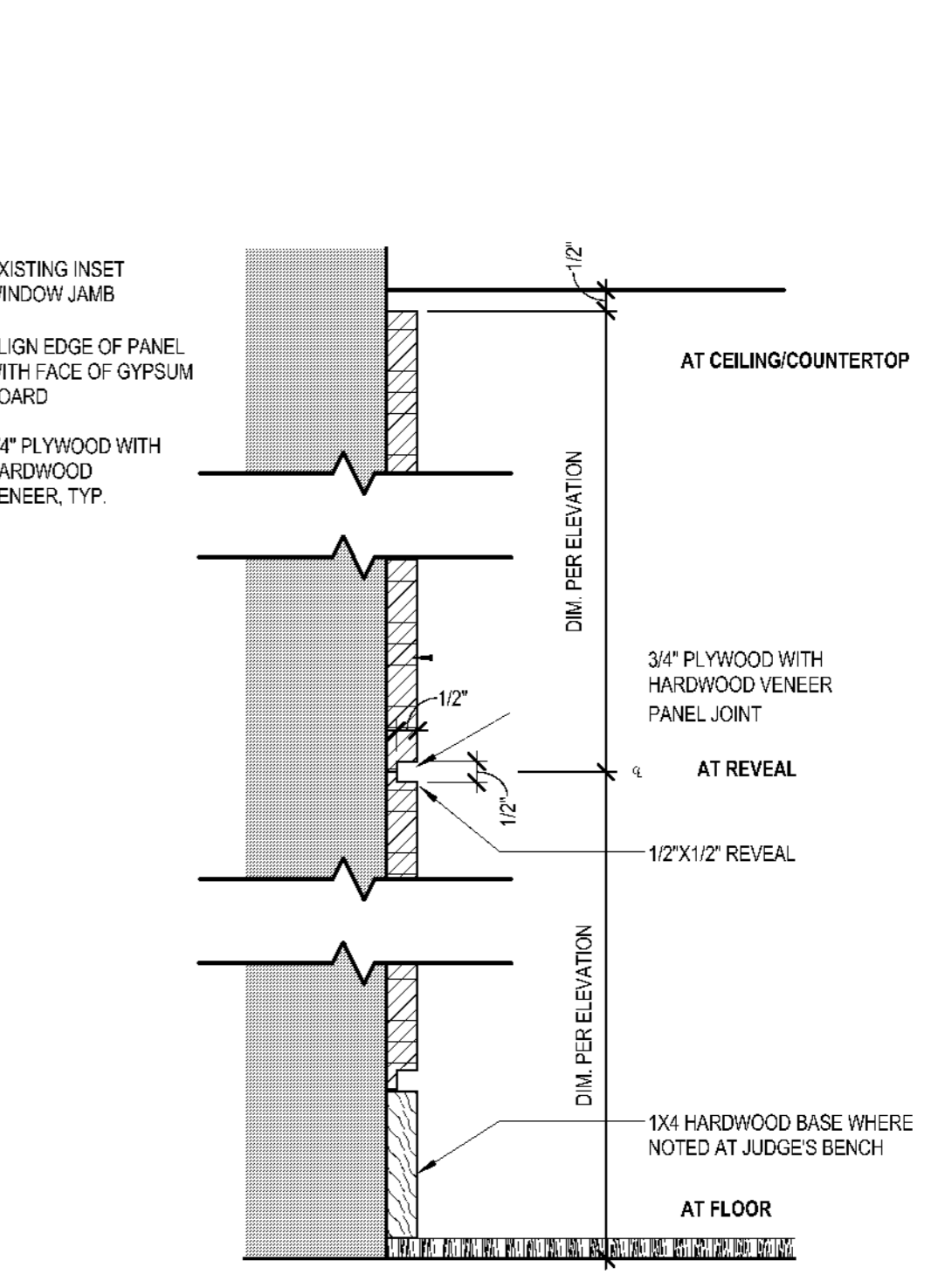
E6 PLAN DETAIL- END CAP  
SCALE: 3" = 1'-0"



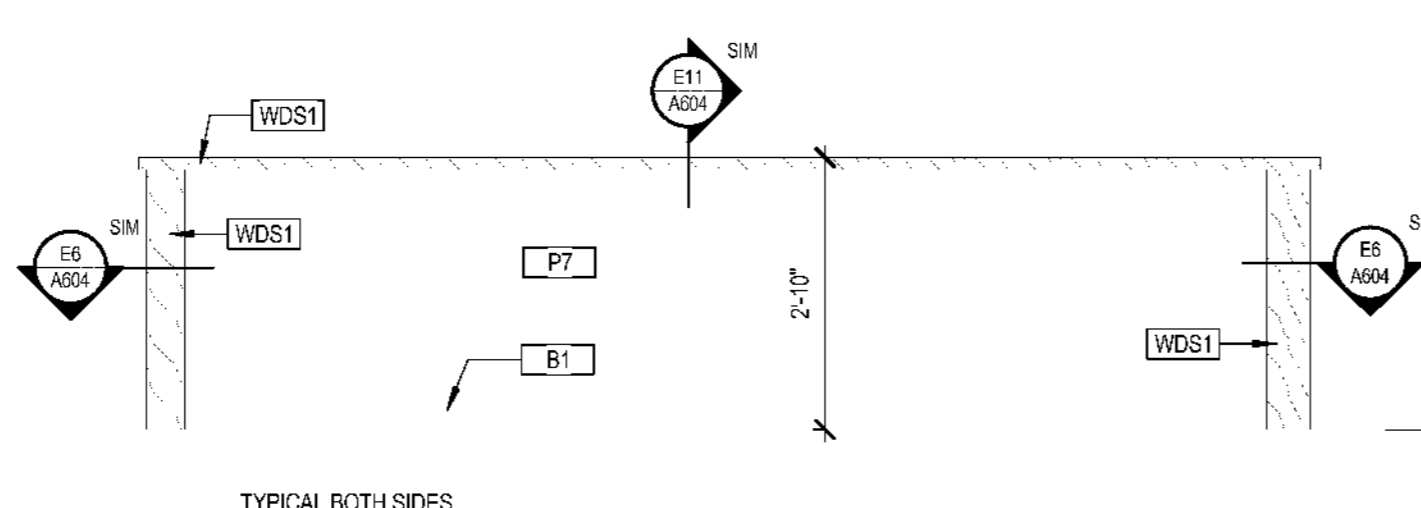
E11 SECTION DETAIL- WOOD CAP  
SCALE: 3" = 1'-0"



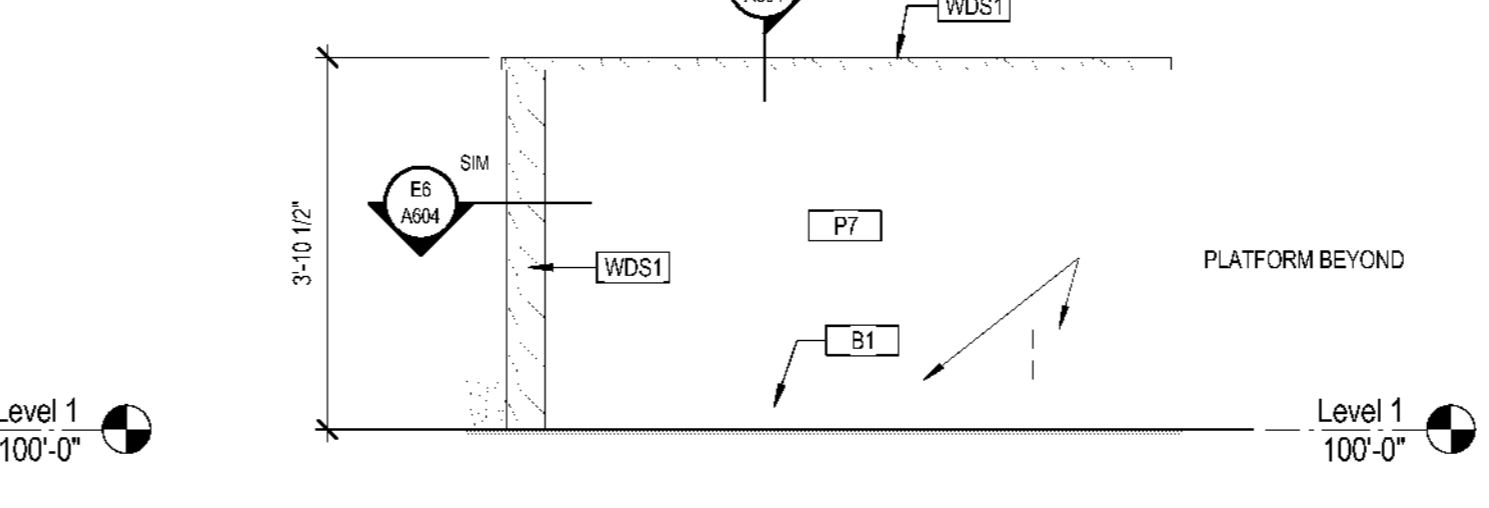
E14 VERTICAL REVEAL AT WOOD PANEL  
SCALE: 3" = 1'-0"



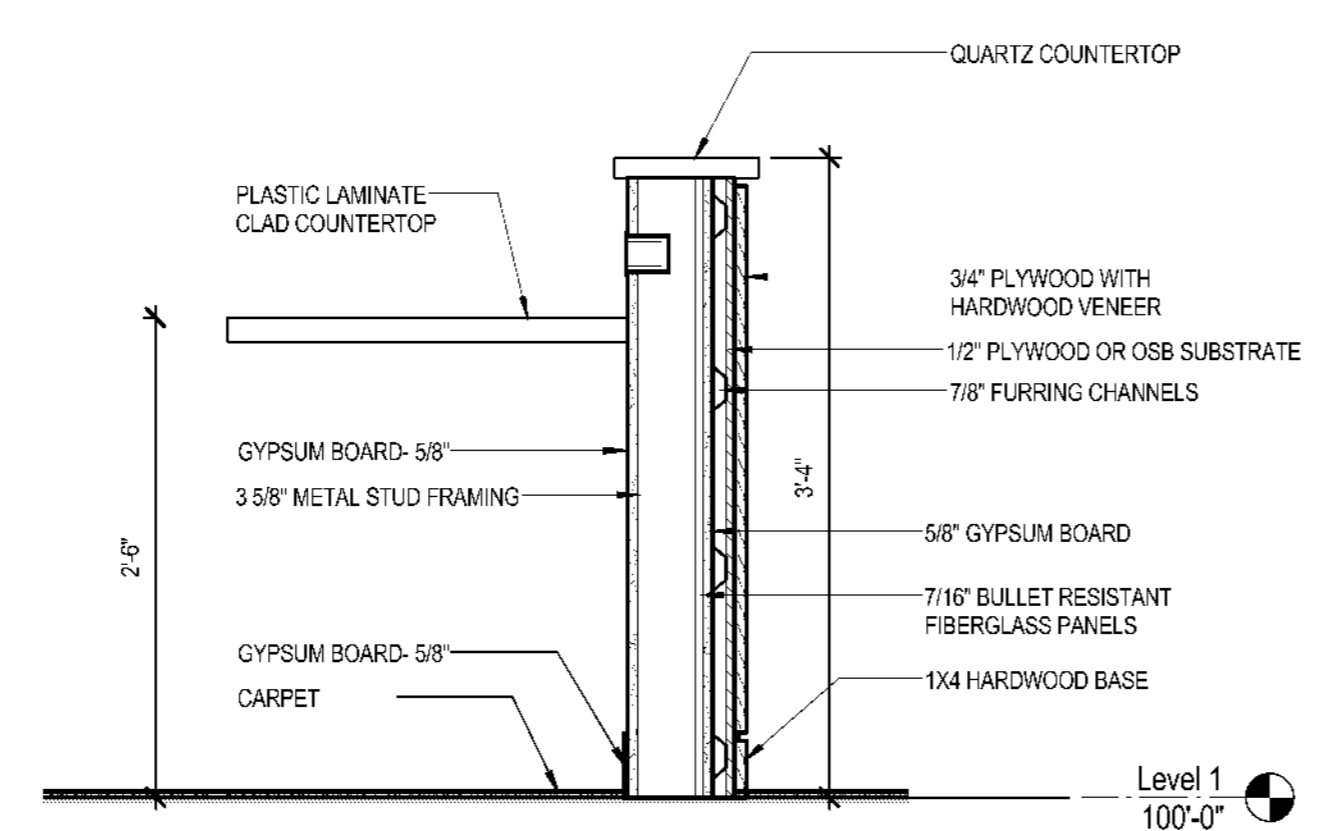
G16 HORIZONTAL REVEAL AT WOOD PANEL  
SCALE: 3" = 1'-0"



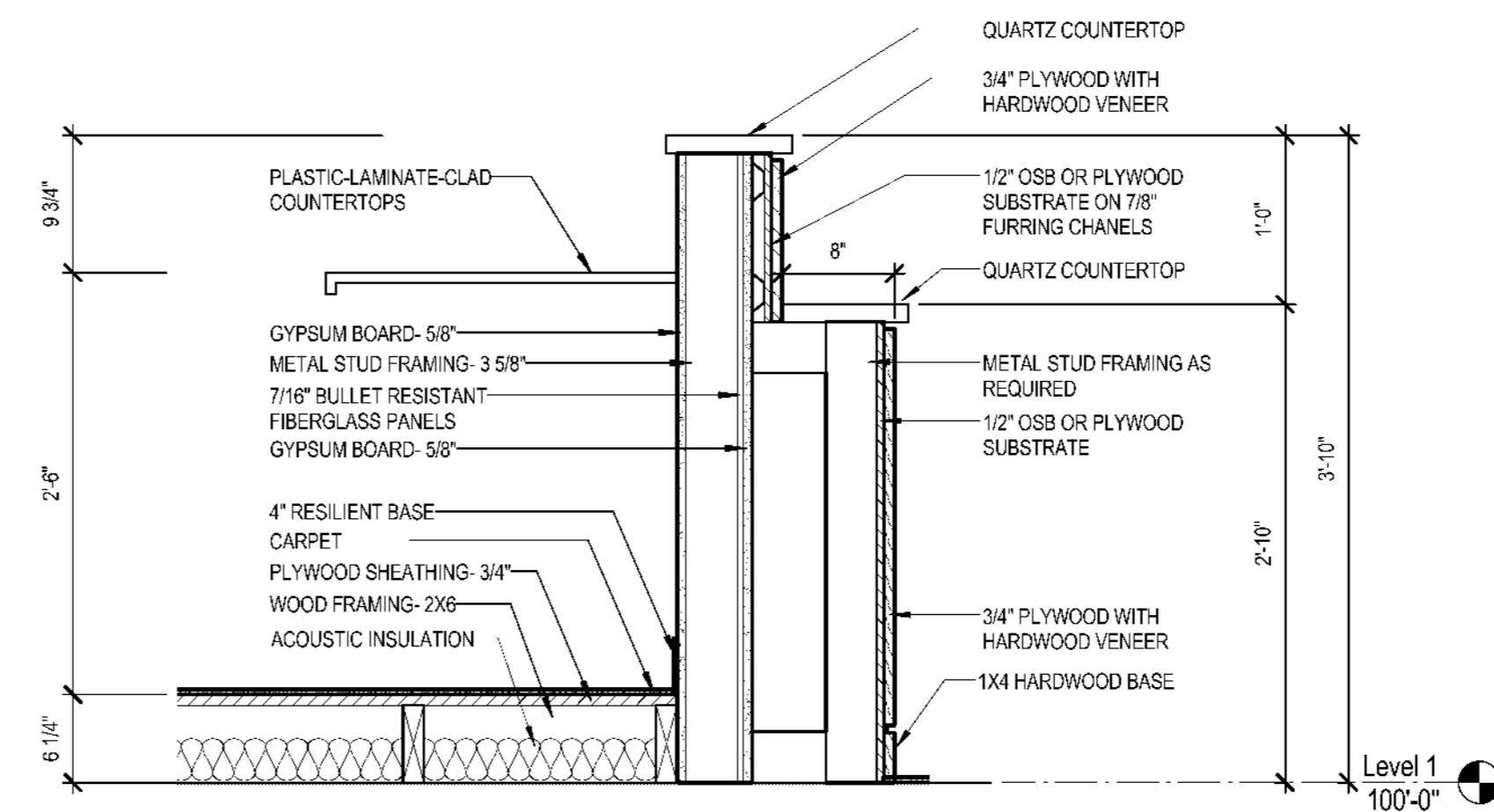
G6 ELEVATION- BAR  
SCALE: 1/2" = 1'-0"



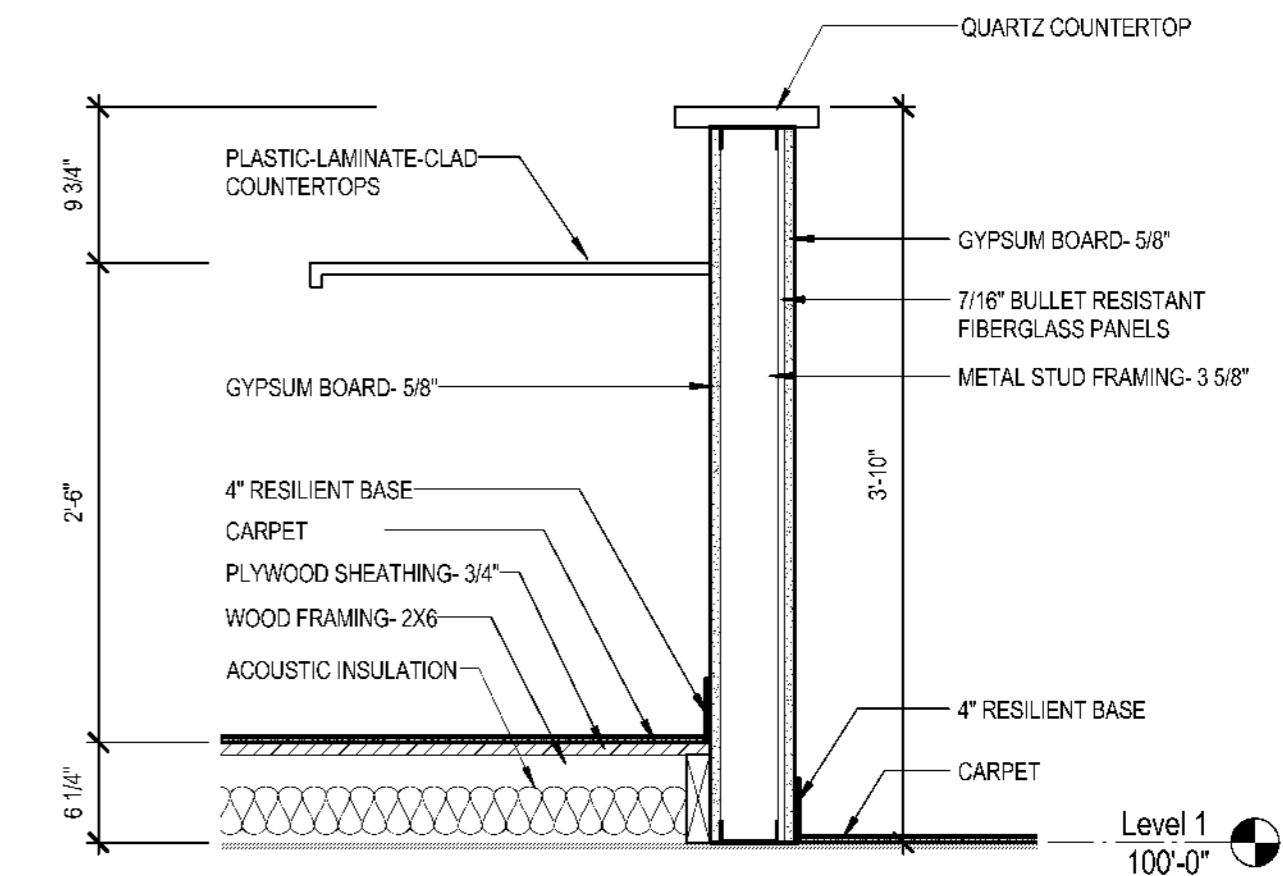
G13 ELEVATION- RAILING  
SCALE: 1/2" = 1'-0"



K7 SECTION DETAIL AT CLERK  
SCALE: 1" = 1'-0"



K12 SECTION DETAIL AT JUDGE'S BENCH- FRONT  
SCALE: 1" = 1'-0"



K16 SECTION DETAIL AT JUDGE'S BENCH- SIDE  
SCALE: 1" = 1'-0"