

MIDWEST ENGINEERING & DESIGN
 MECH / ELEC / PLUMBING ENGINEER
 Missouri State Certificate of Authority #2010032467

The Architects Alliance inc.
 Missouri State Certificate of Authority # 000143
 631 West Main Street
 Jefferson City, Missouri
 (573) 636-5000 phone

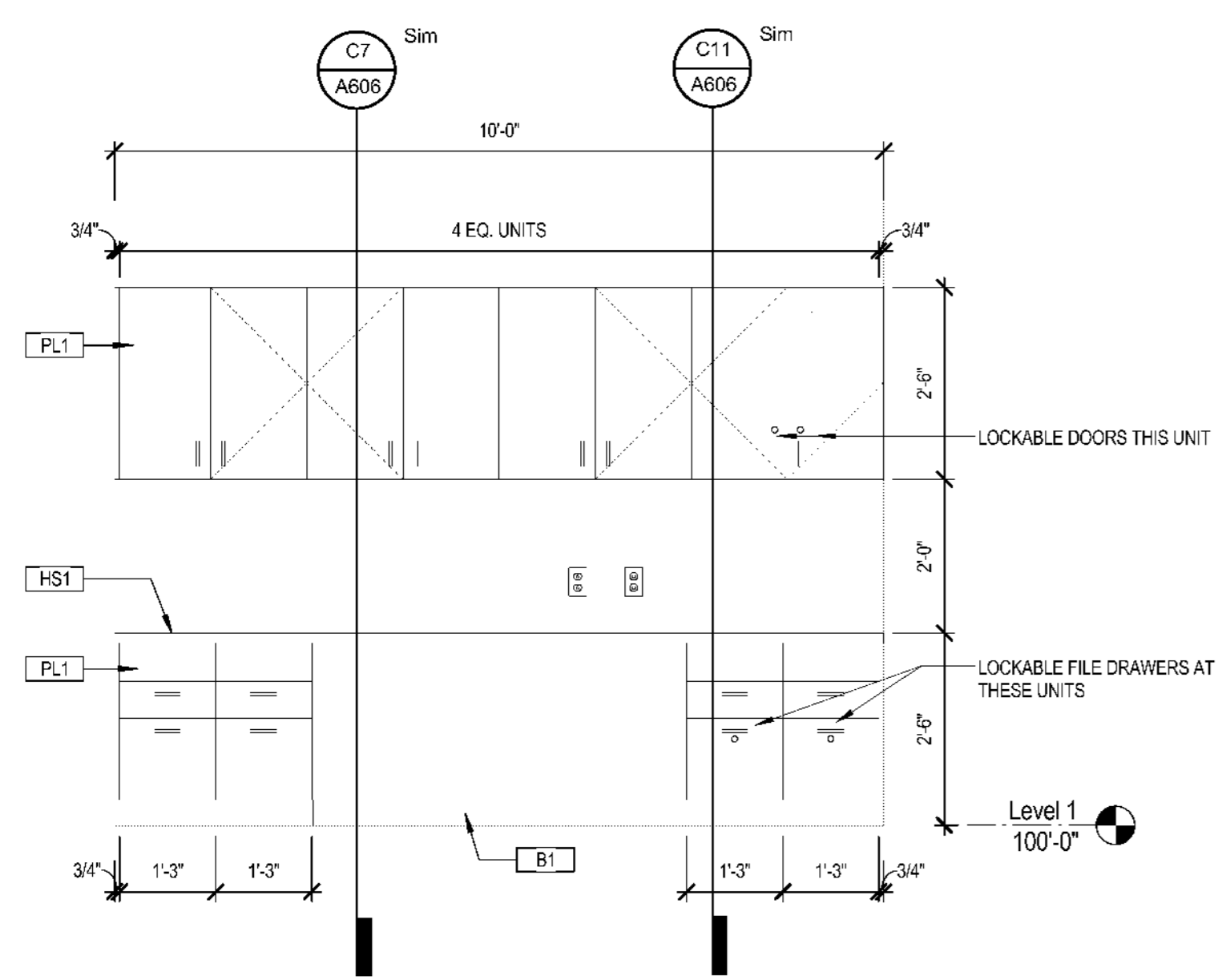
CASEWORK ELEVATIONS AND DETAILS

JEFFERSON CITY MUNICIPAL COURT
 RELOCATION AND RENOVATION
 427 Monroe Street
 Jefferson City, Missouri

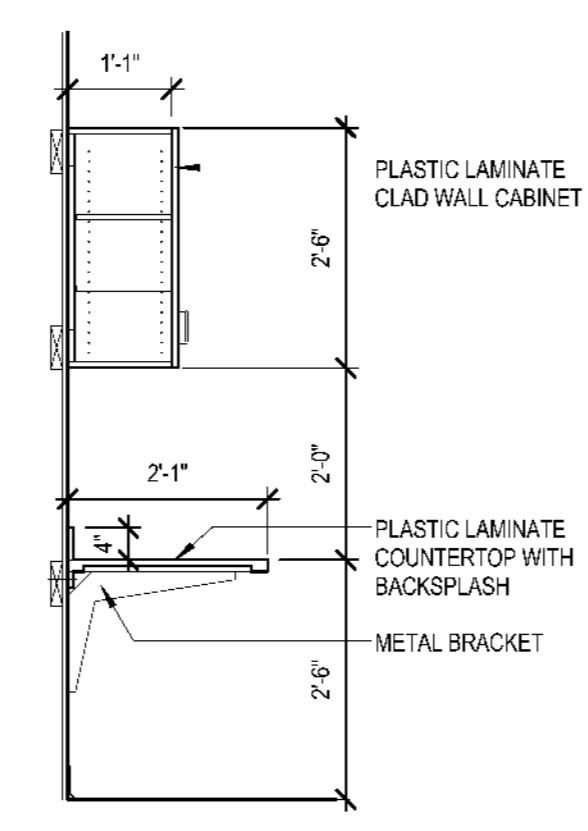
PROJECT NO. 1637
 DATE: 03-01-2018
A606

CASEWORK GENERAL NOTES:

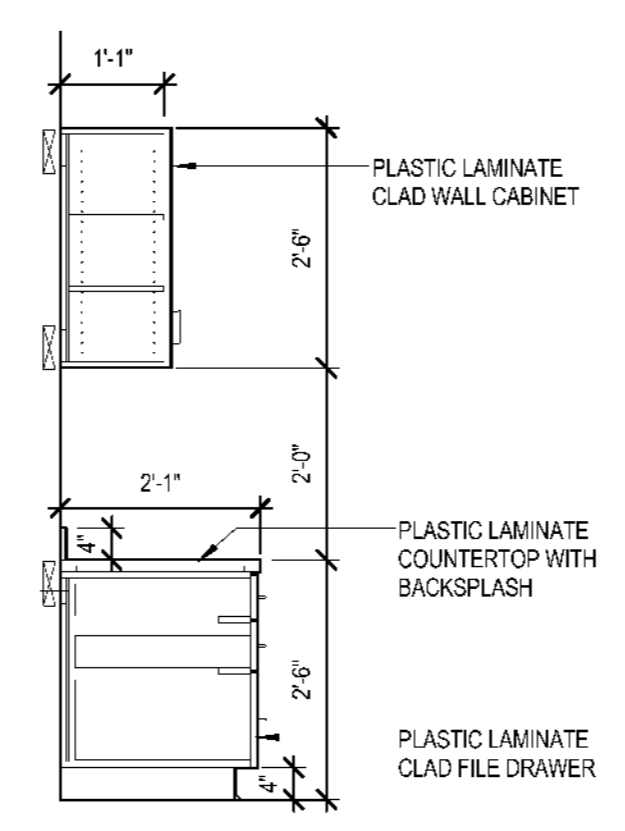
1. ALL VERTICAL SURFACES OF MILLWORK TO BE PL1 UNLESS NOTED OR TAGGED OTHERWISE
2. ALL HORIZONTAL SURFACES OF MILLWORK TO BE HSI UNLESS NOTED OR TAGGED OTHERWISE
3. ALL PLUM DOORS AND DRAWERS TO BE PL1, UNO
4. ELECTRICAL AND DATA FIXTURES: SHOWN FOR REFERENCE ONLY. REF: ELECTRICAL DRAWINGS FOR SPECIFICATIONS. PLUM SYMBOLS MAY BE OMITTED IN CONGESTED AREAS. REFER TO INTERIOR ELEVATIONS AND ELECTRICAL DRAWINGS.
5. PROVIDE BLOCKING AS REQUIRED FOR CASEWORK
6. RESILIENT BASE B1 TO BE APPLIED TO THE KICK AND ALL EXPOSED EDGES OF BASE CABINETS



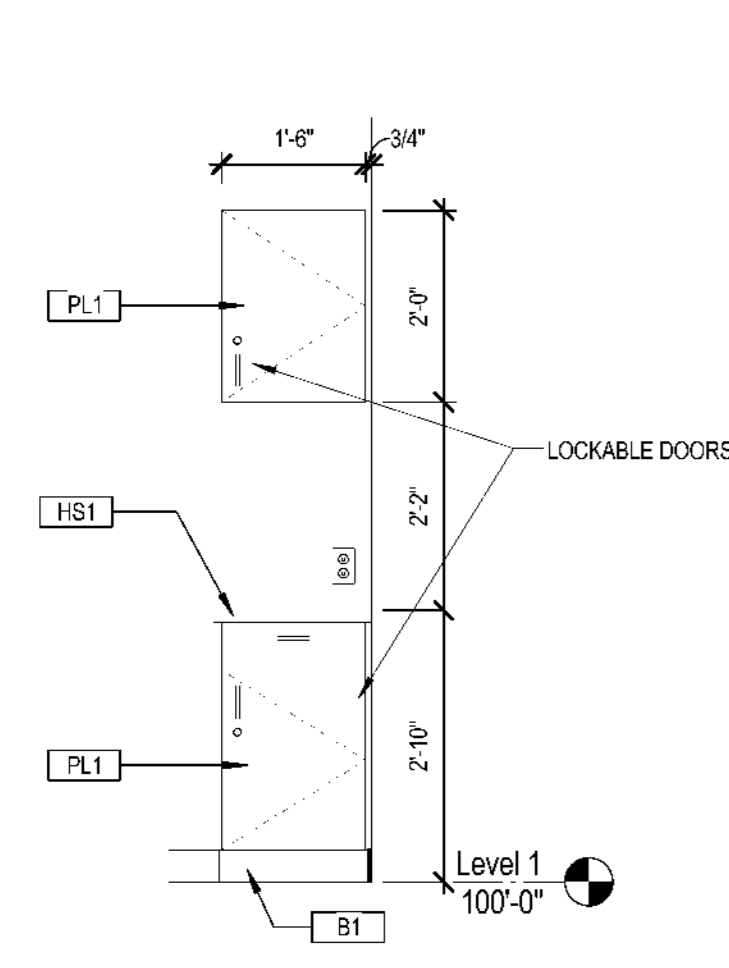
C2 CASEWORK ELEVATION - ADMIN 105 - MNGR
 SCALE: 1/2" = 1'-0"



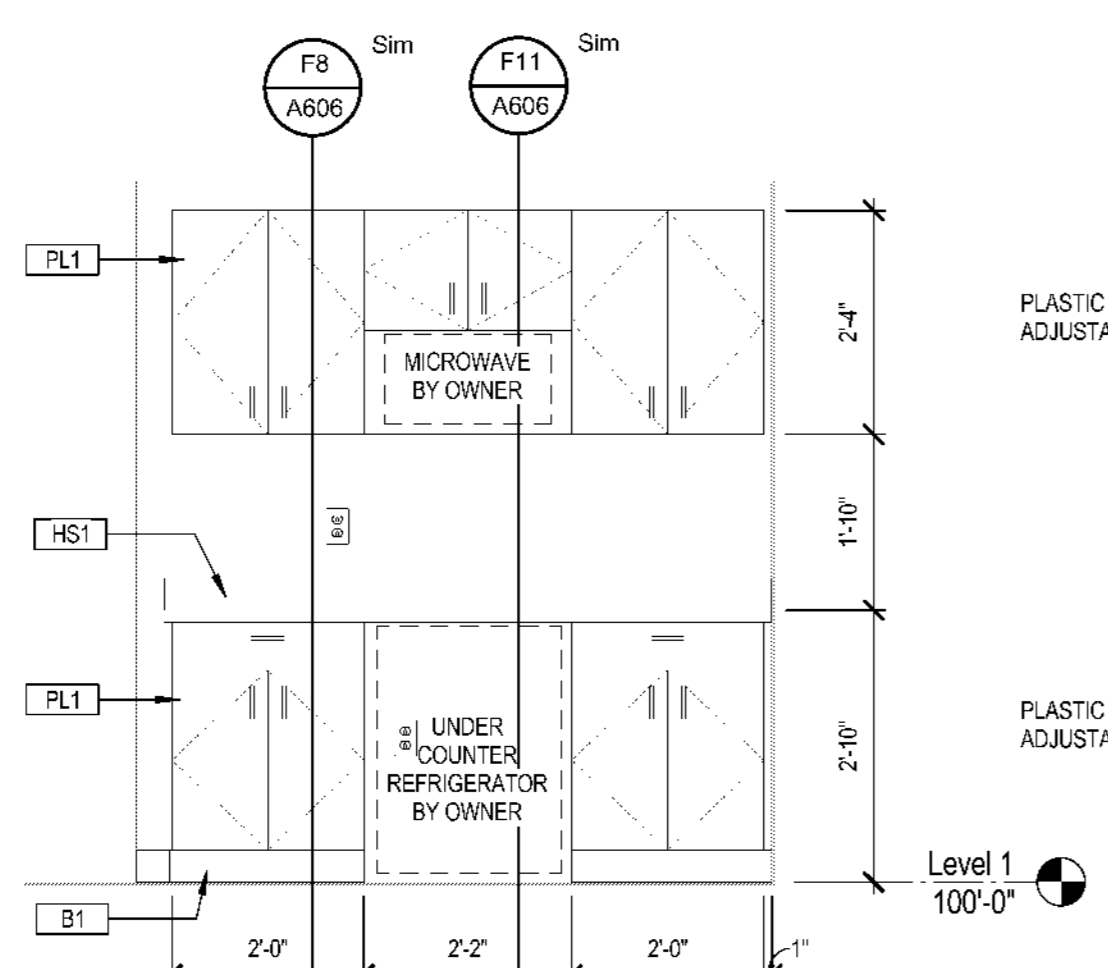
C7 CASEWORK SECTION
 SCALE: 1/2" = 1'-0"



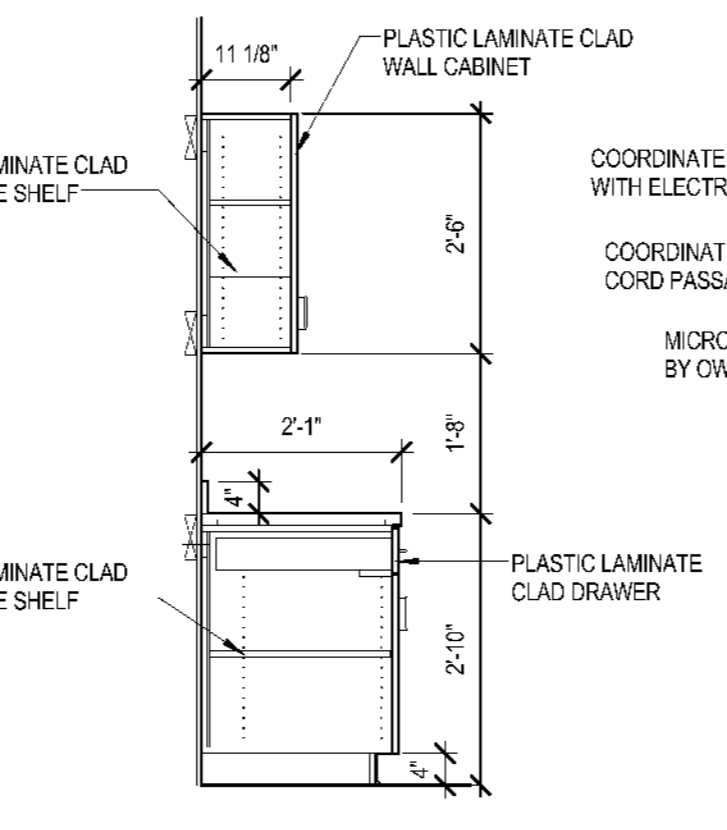
C11 CASEWORK SECTION
 SCALE: 1/2" = 1'-0"



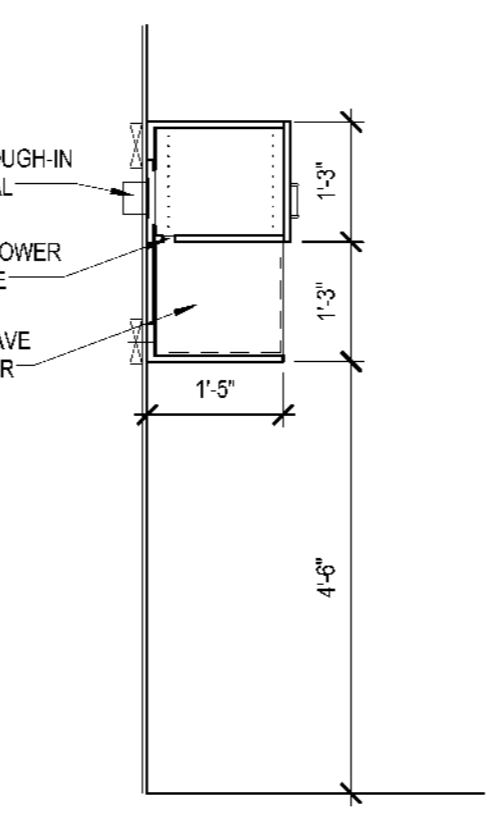
F2 CASEWORK ELEVATION - SECURITY
 SCALE: 1/2" = 1'-0"



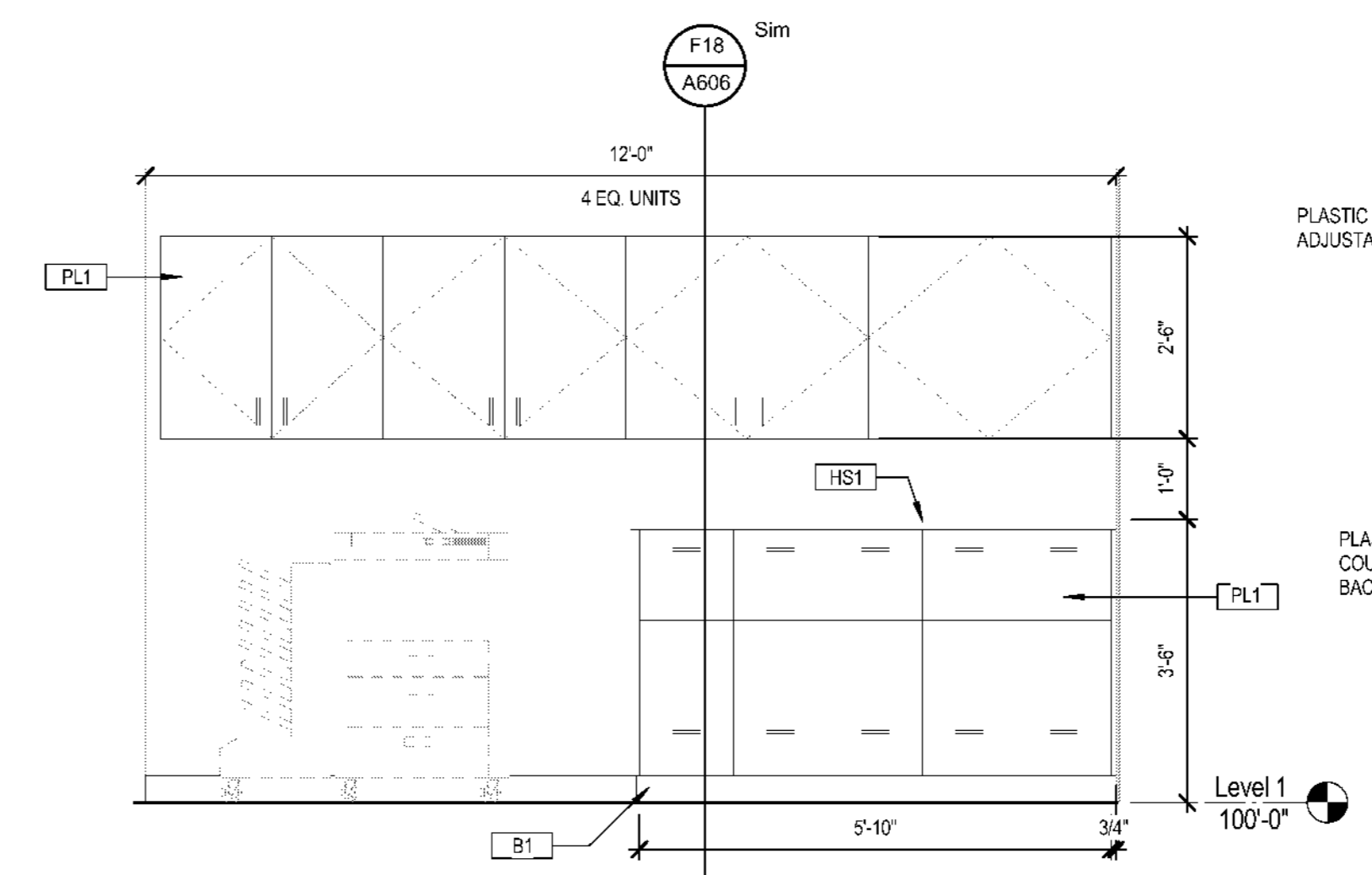
F5 CASEWORK ELEVATION - ADMIN 105 - BREAK AREA
 SCALE: 1/2" = 1'-0"



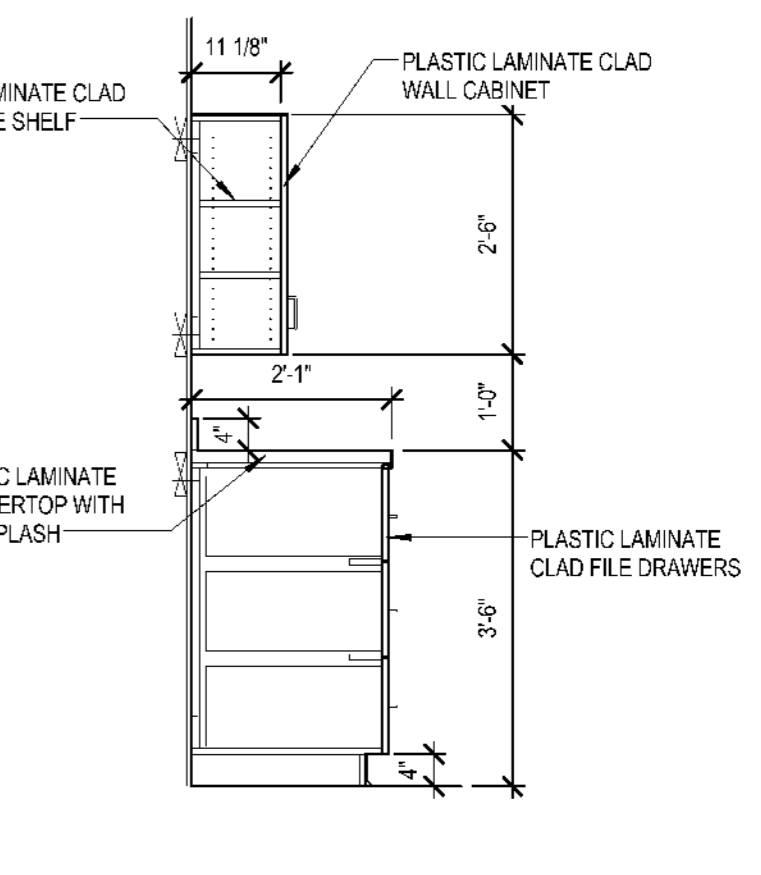
F8 CASEWORK SECTION
 SCALE: 1/2" = 1'-0"



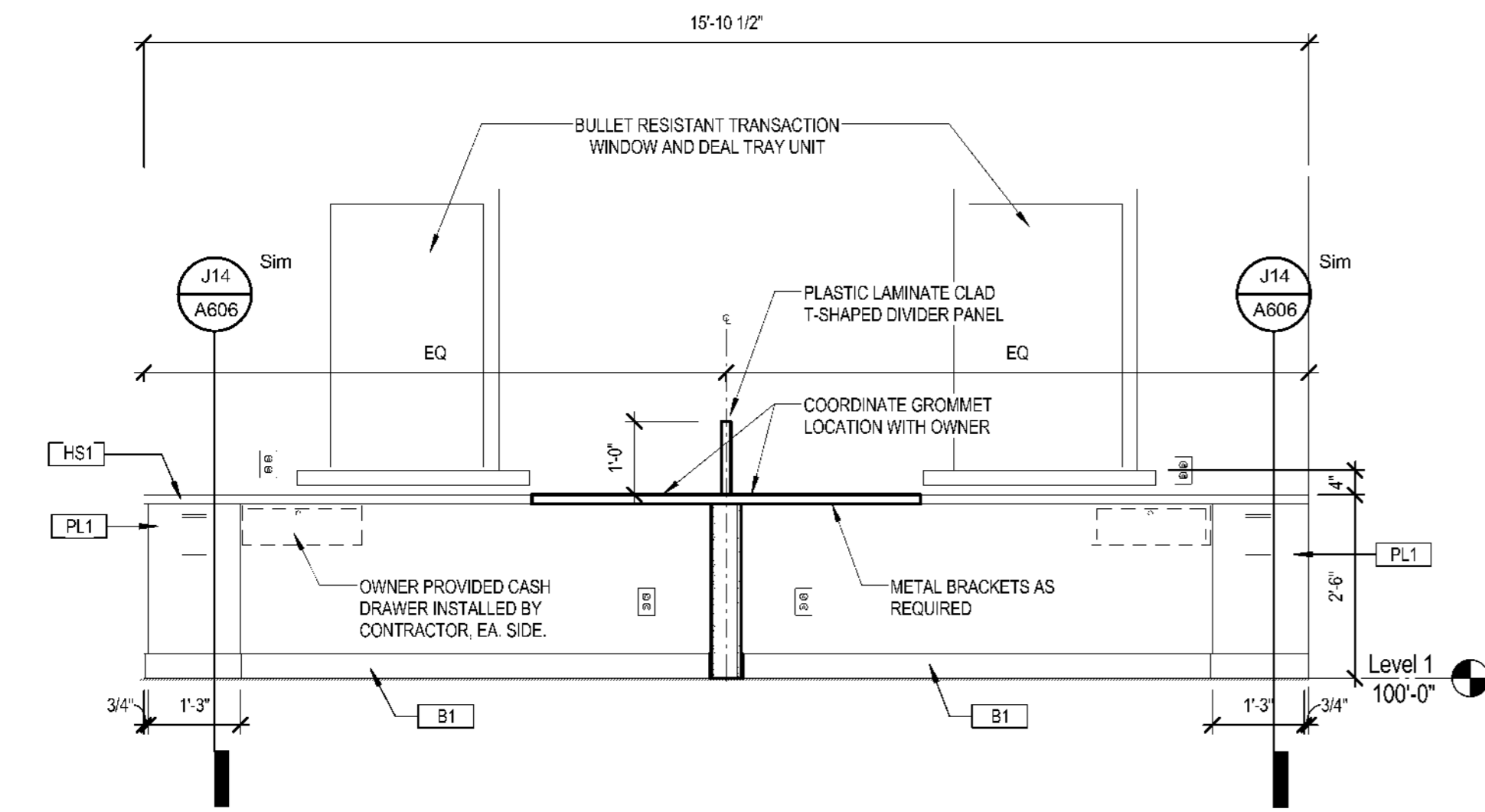
F11 CASEWORK SECTION
 SCALE: 1/2" = 1'-0"



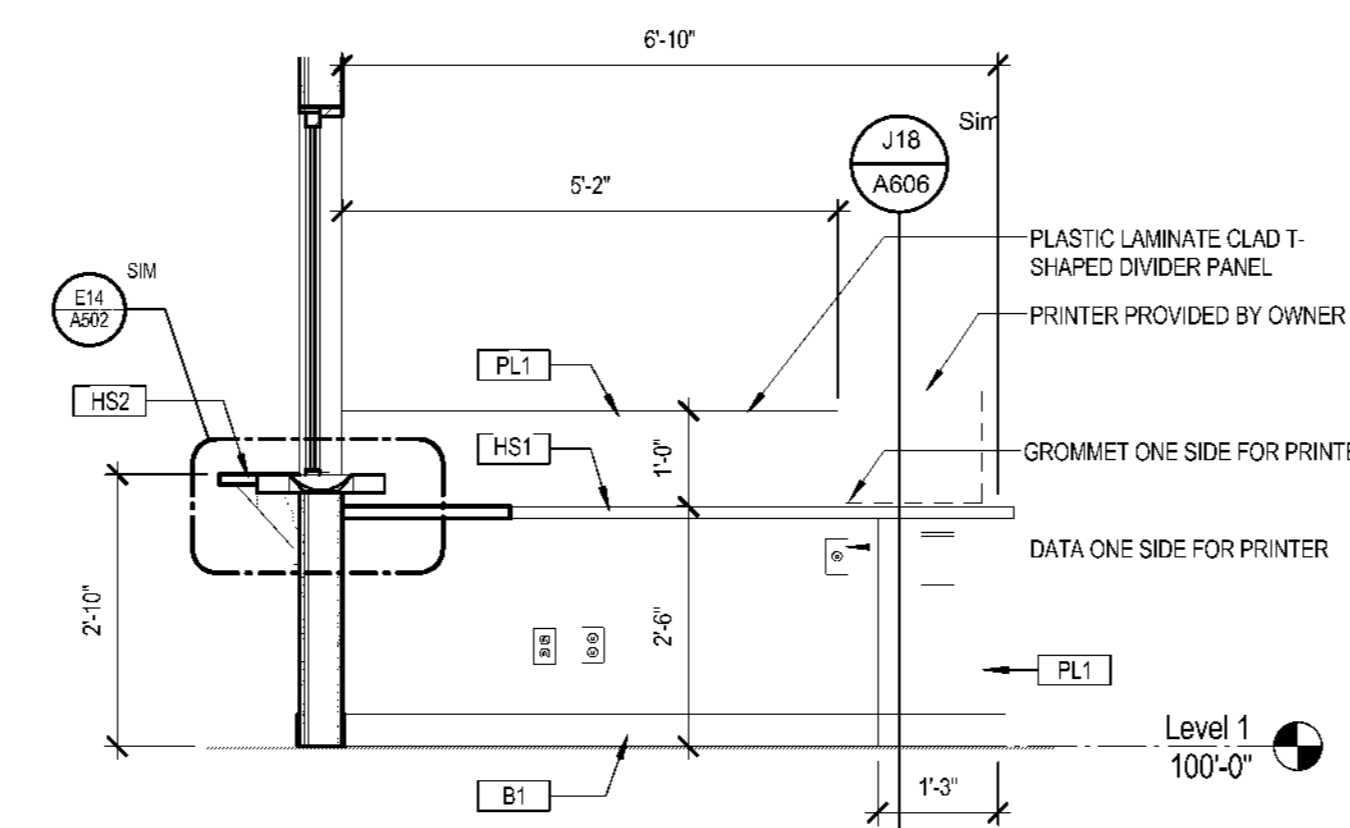
F13 CASEWORK ELEVATION - ADMIN 105 - WORK AREA
 SCALE: 1/2" = 1'-0"



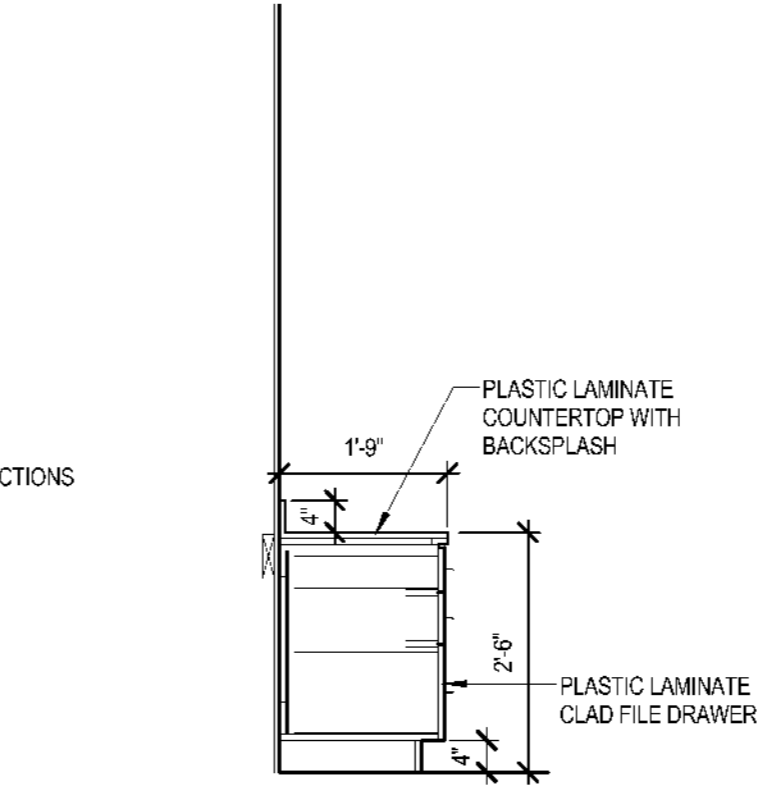
F18 CASEWORK SECTION
 SCALE: 1/2" = 1'-0"



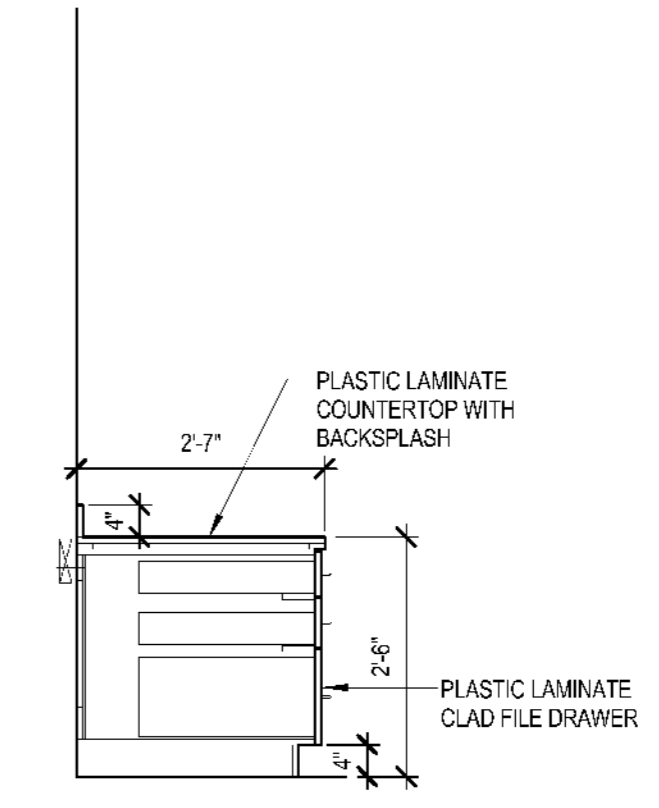
J2 CASEWORK ELEVATION - ADMIN 105 - TRANSACTION
 SCALE: 1/2" = 1'-0"



J9 CASEWORK ELEVATION - ADMIN 105 - TRANSACTION
 SCALE: 1/2" = 1'-0"



J14 CASEWORK SECTION
 SCALE: 1/2" = 1'-0"



J18 CASEWORK SECTION
 SCALE: 1/2" = 1'-0"