

**MIDWEST ENGINEERING & DESIGN**  
 MECH / ELEC / PLUMBING ENGINEER  
 Missouri State Certificate of Authority #2010032467

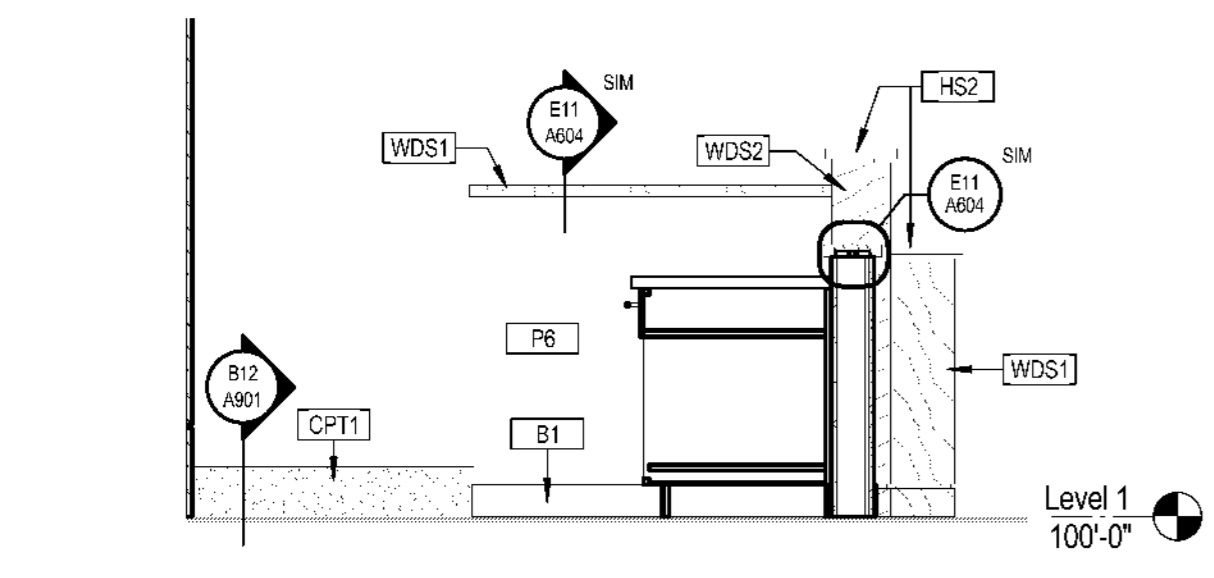
**The Architects Alliance inc.**  
 Missouri State Certificate of Authority # 000143  
 631 West Main Street  
 Jefferson City, Missouri  
 (573) 636-5000 phone

**INTERIOR DETAILS**

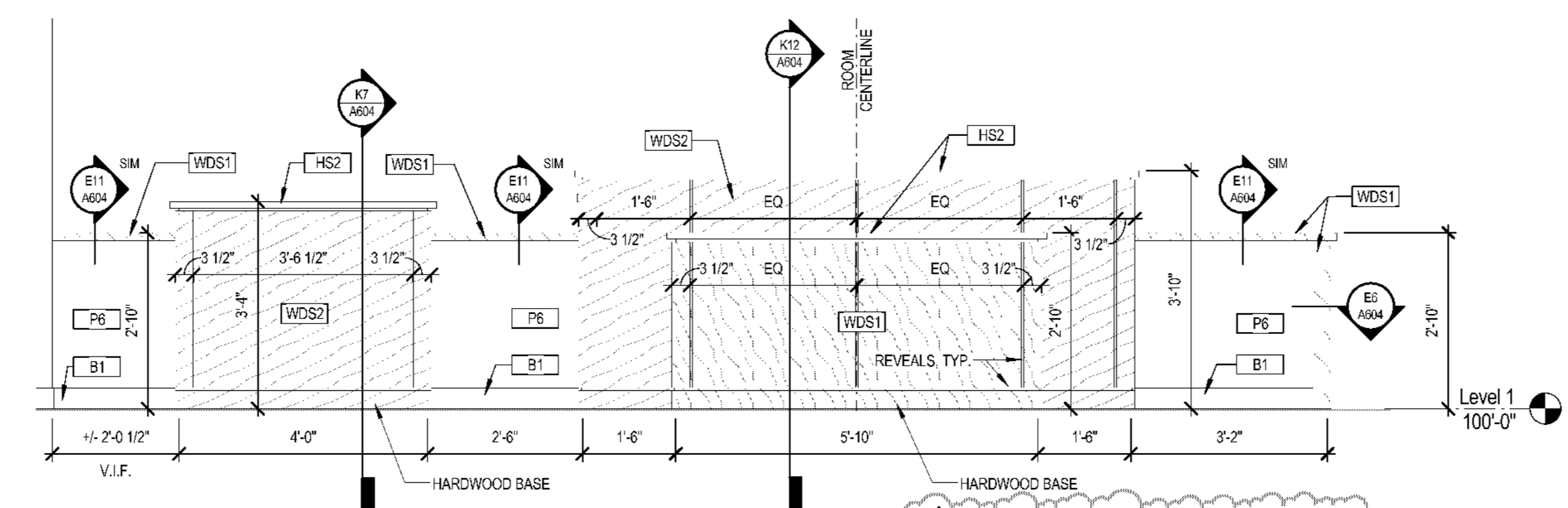
**JEFFERSON CITY MUNICIPAL COURT  
 RELOCATION AND RENOVATION**  
 427 Monroe Street  
 Jefferson City, Missouri

PROJECT NO. 1637  
 DATE: 04-17-18

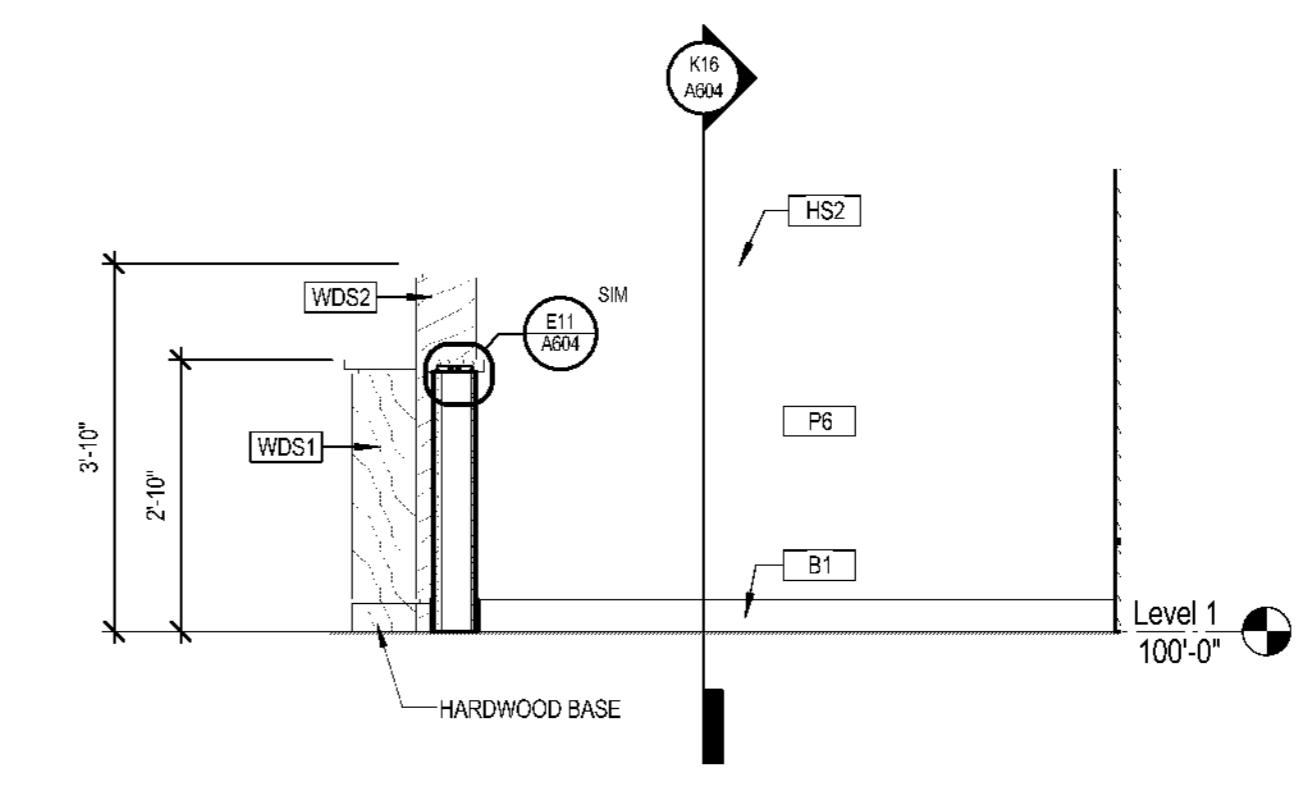
**A604**



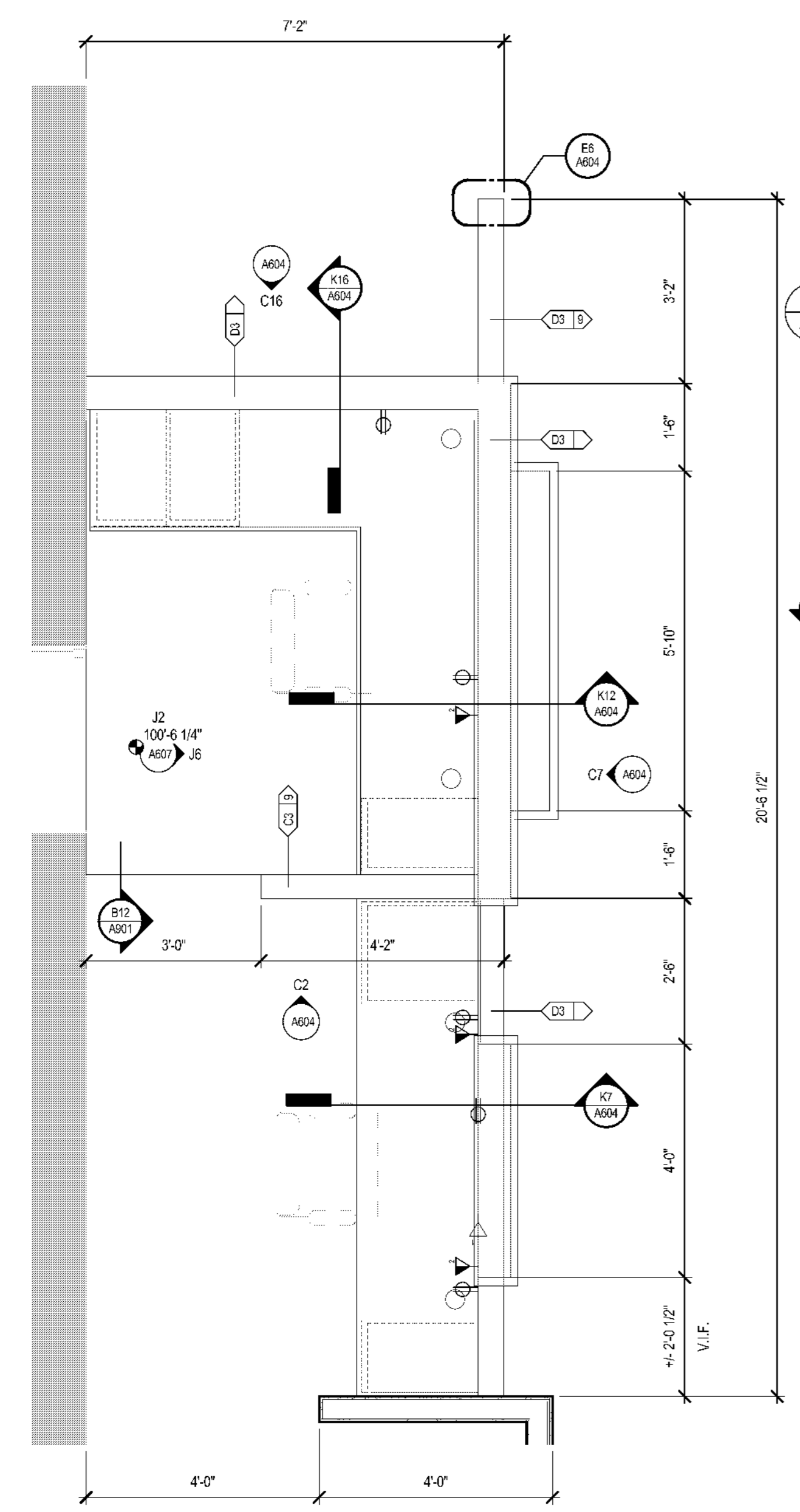
**C2 ELEVATION- JUDGE'S BENCH SOUTH**  
 SCALE: 1/2" = 1'-0"



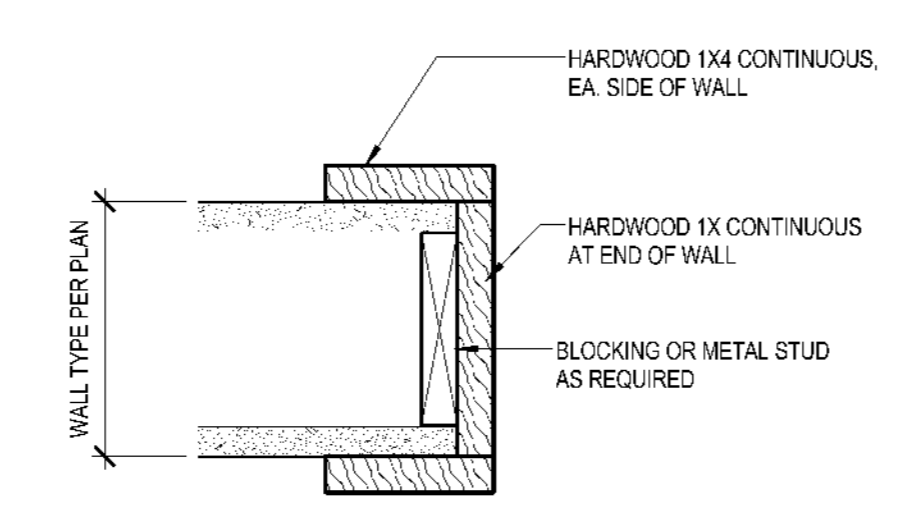
**C7 ELEVATION- JUDGE'S BENCH FRONT**  
 SCALE: 1/2" = 1'-0"



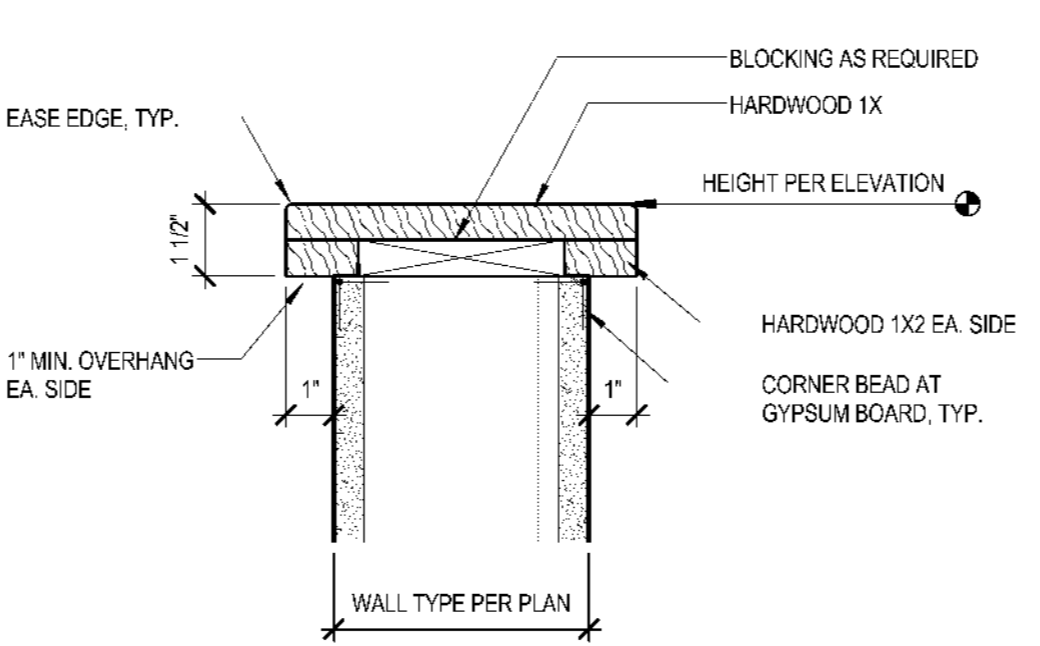
**C16 ELEVATION- JUDGE'S BENCH NORTH**  
 SCALE: 1/2" = 1'-0"



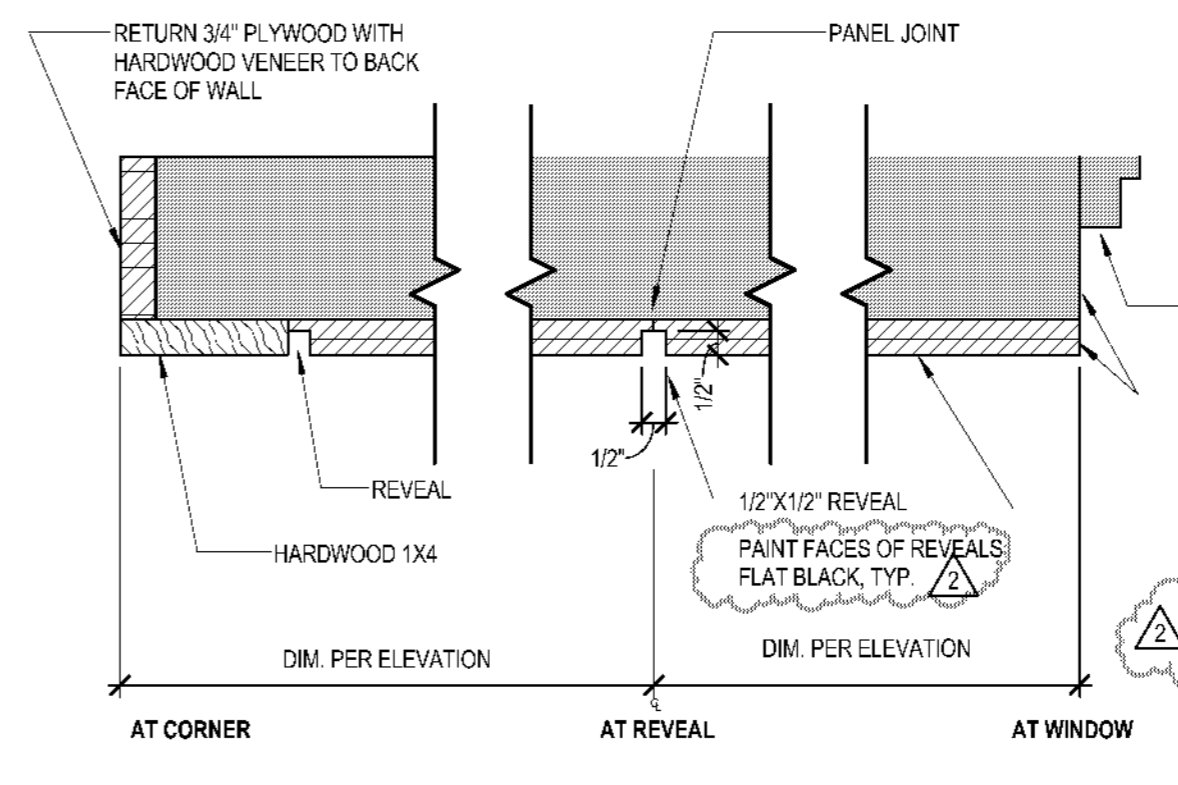
**K1 ENLARGED PLAN- JUDGE'S BENCH AND CLERK**  
 SCALE: 1/2" = 1'-0"



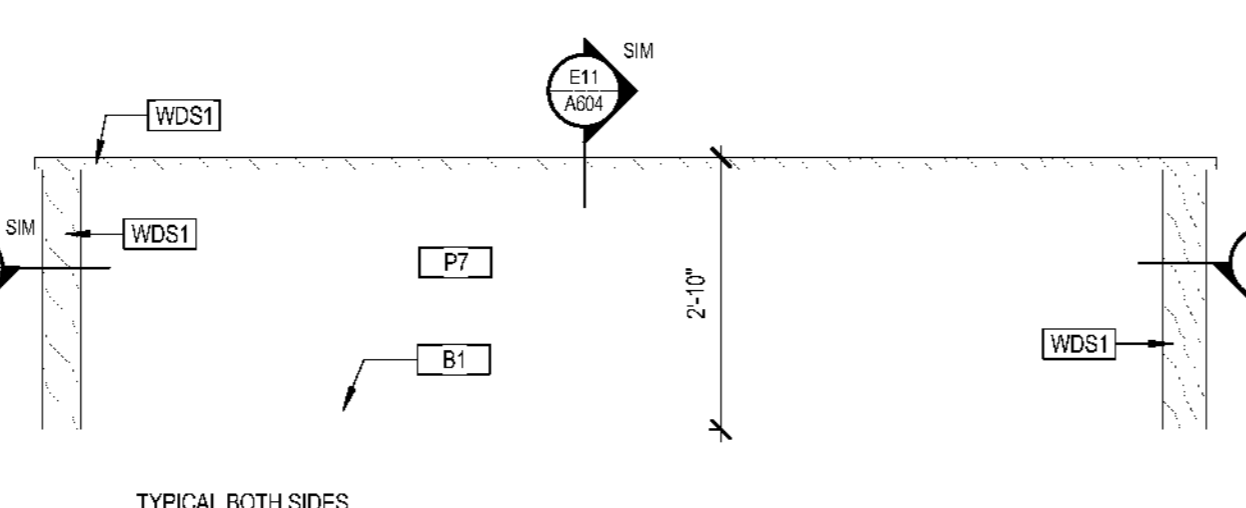
**E6 PLAN DETAIL- END CAP**  
 SCALE: 3" = 1'-0"



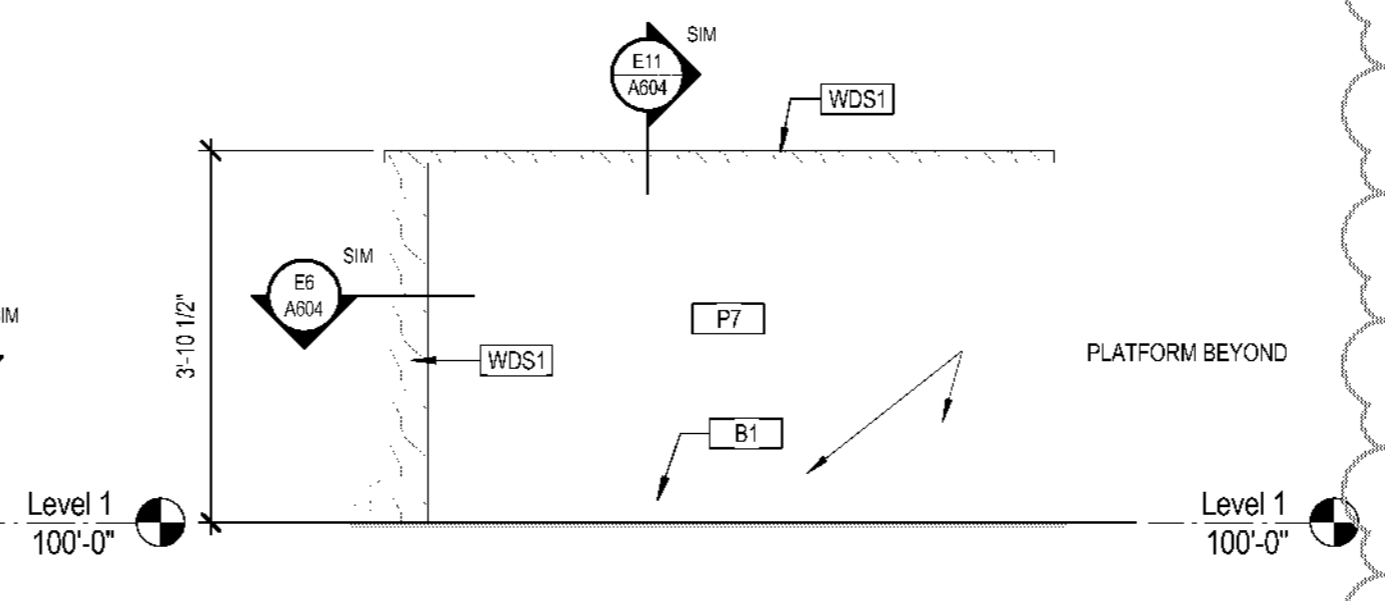
**E11 SECTION DETAIL- WOOD CAP**  
 SCALE: 3" = 1'-0"



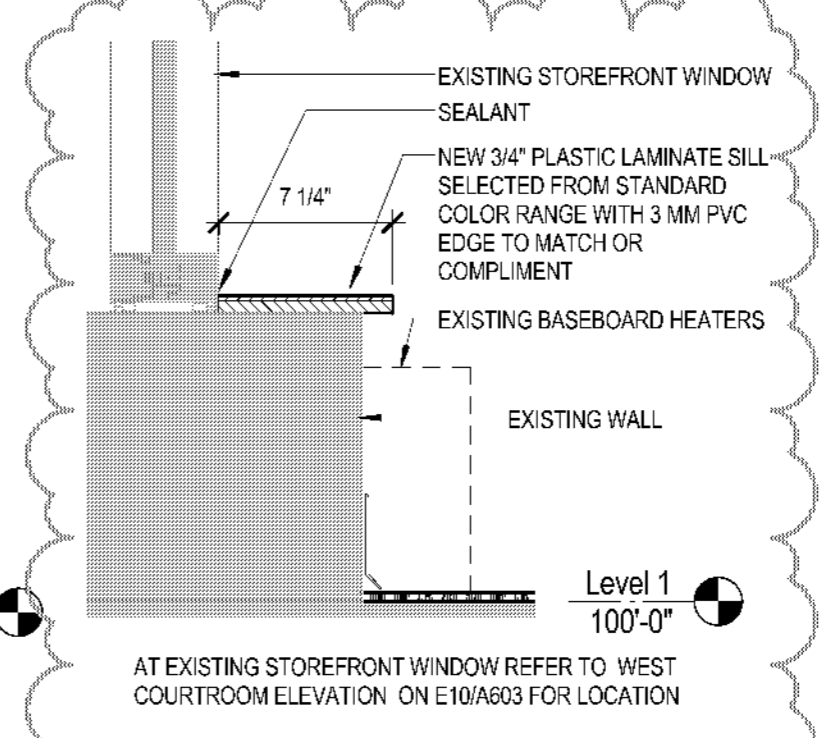
**E14 VERTICAL REVEAL AT WOOD PANEL**  
 SCALE: 3" = 1'-0"



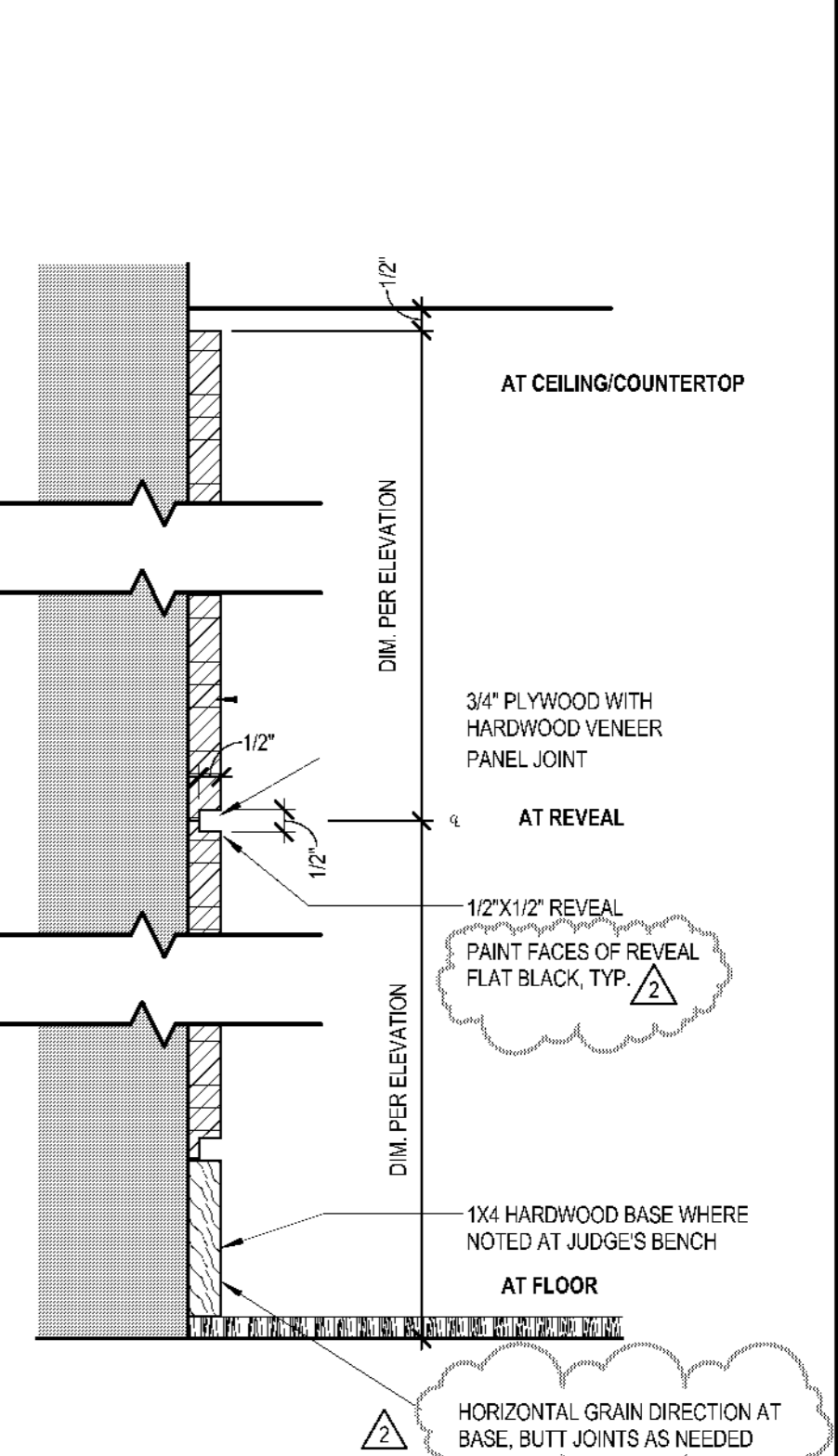
**G6 ELEVATION- BAR**  
 SCALE: 1/2" = 1'-0"



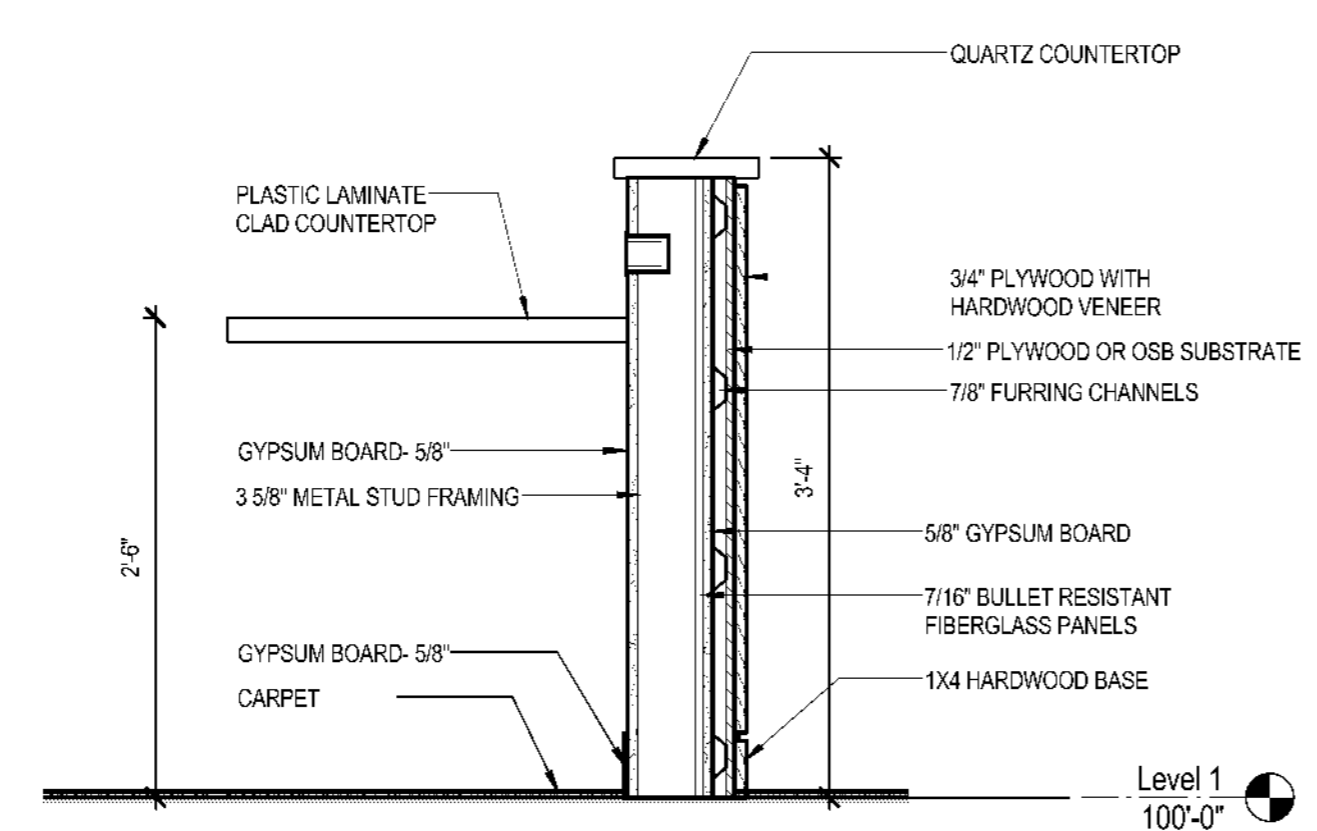
**G13 ELEVATION- RAILING**  
 SCALE: 1/2" = 1'-0"



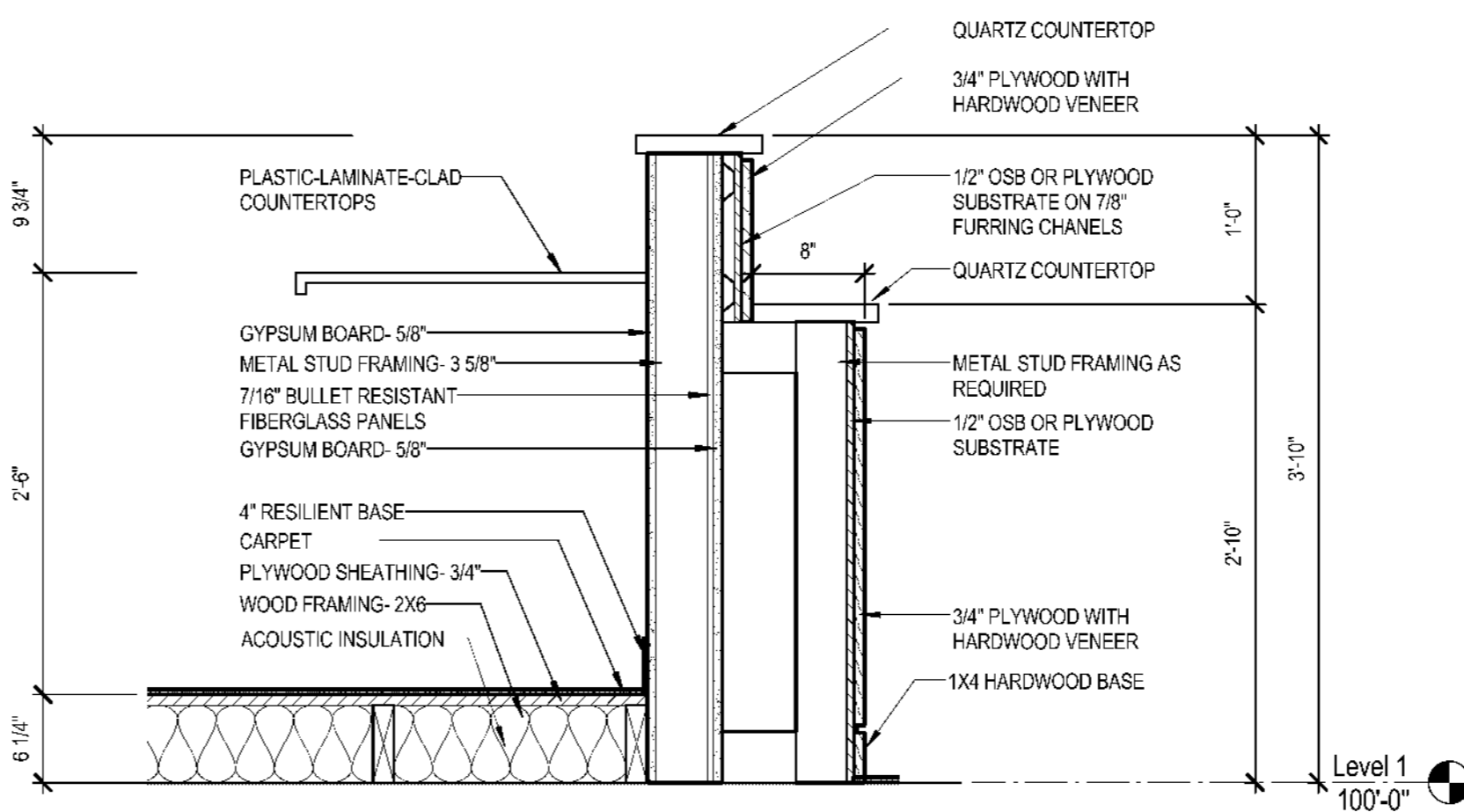
**G15 PLASTIC LAMINATE SILL**  
 SCALE: 1 1/2" = 1'-0"



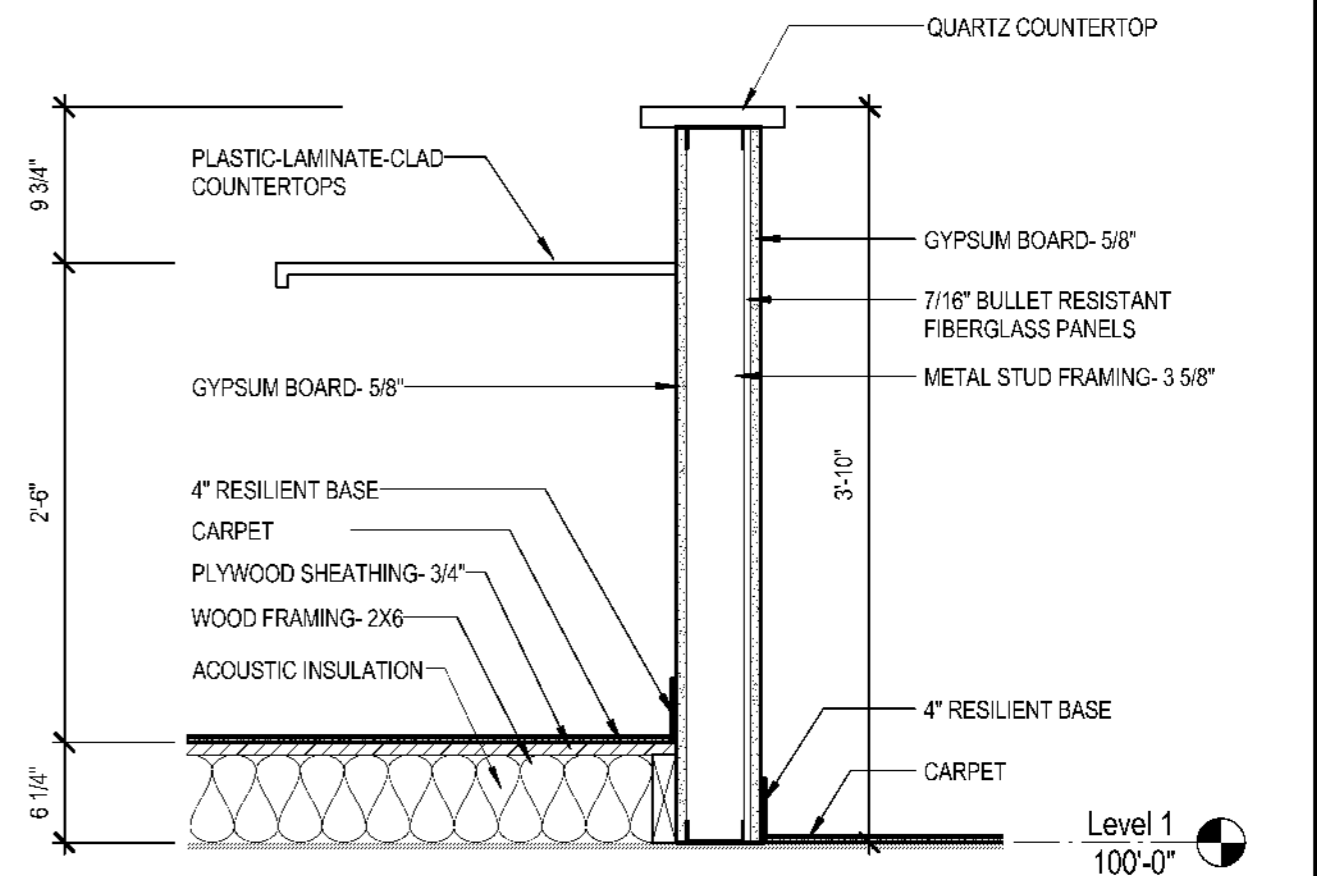
**G16 HORIZONTAL REVEAL AT WOOD PANEL**  
 SCALE: 3" = 1'-0"



**K7 SECTION DETAIL AT CLERK**  
 SCALE: 1" = 1'-0"



**K12 SECTION DETAIL AT JUDGE'S BENCH- FRONT**  
 SCALE: 1" = 1'-0"



**K16 SECTION DETAIL AT JUDGE'S BENCH- SIDE**  
 SCALE: 1" = 1'-0"