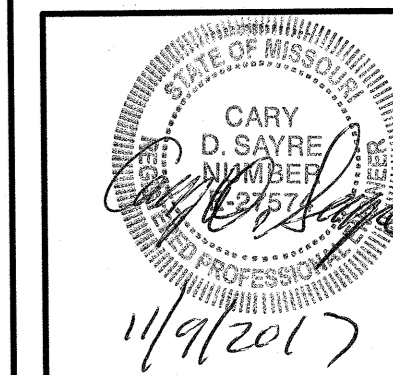


**ALLSTATE CONSULTANTS**  
 P.O. BOX 156, 30601 HIGHWAY 5  
 MARCELINE, MO. 64658  
 (660) 376-2941  
 allstateconsultants.net

MISSOURI STATE CERTIFICATE  
 OF AUTHORITY #200704004

REUSE OF THIS DRAWING IN ANY MANNER IS  
 STRICTLY PROHIBITED WITHOUT THE WRITTEN  
 APPROVAL OF  
 ALLSTATE CONSULTANTS LLC

STRUCTURE DETAILS  
 CITY OF GILMAN CITY  
 WASTEWATER TREATMENT FACILITY  
 GILMAN CITY, MISSOURI



DATE  
 JULY 2017

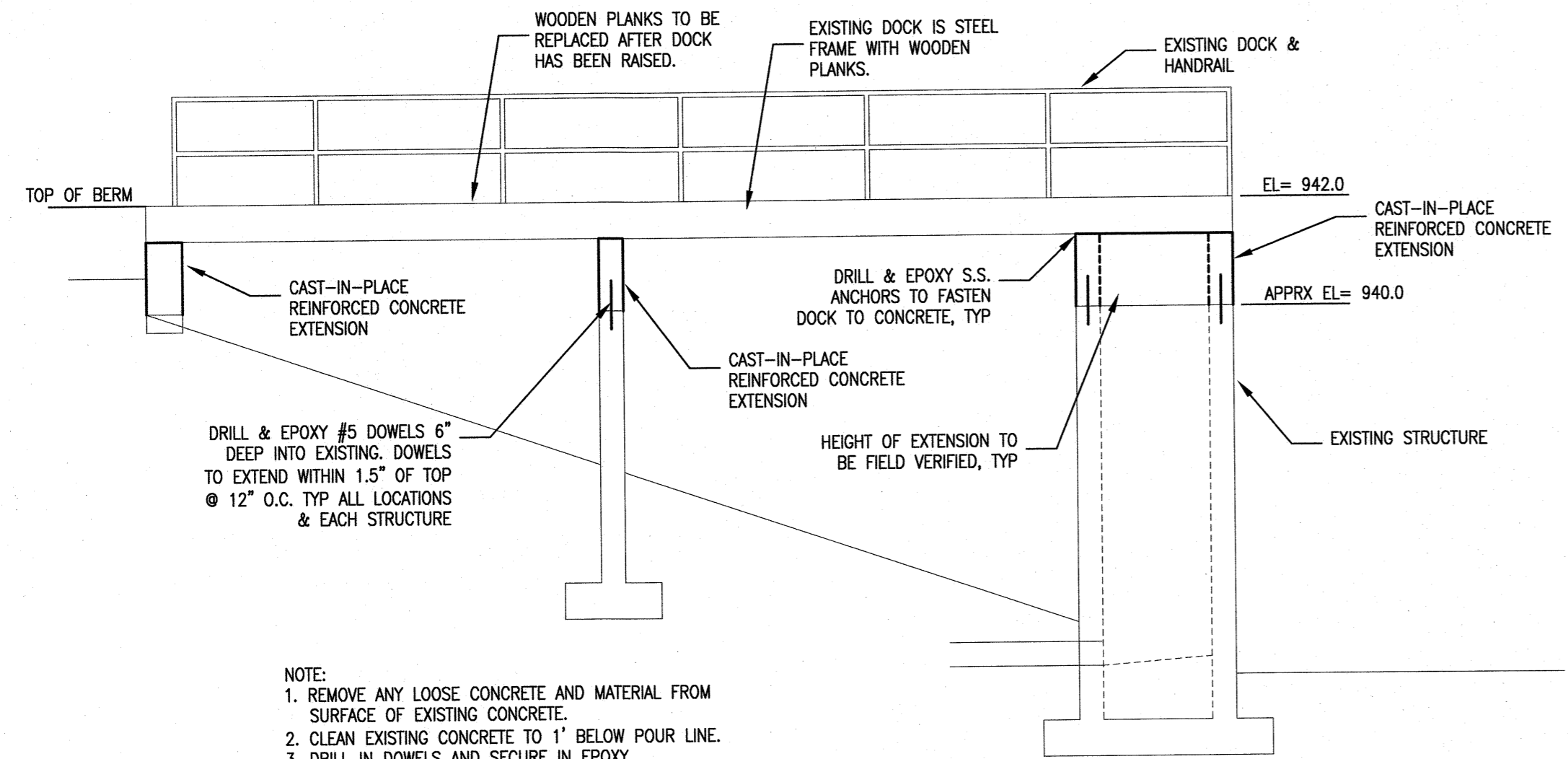
REVISED:  
 10-11-17 CELL 3  
 STRUCTURE NOTES

JOB NUMBER  
 13147.01

SCALE

SHEET

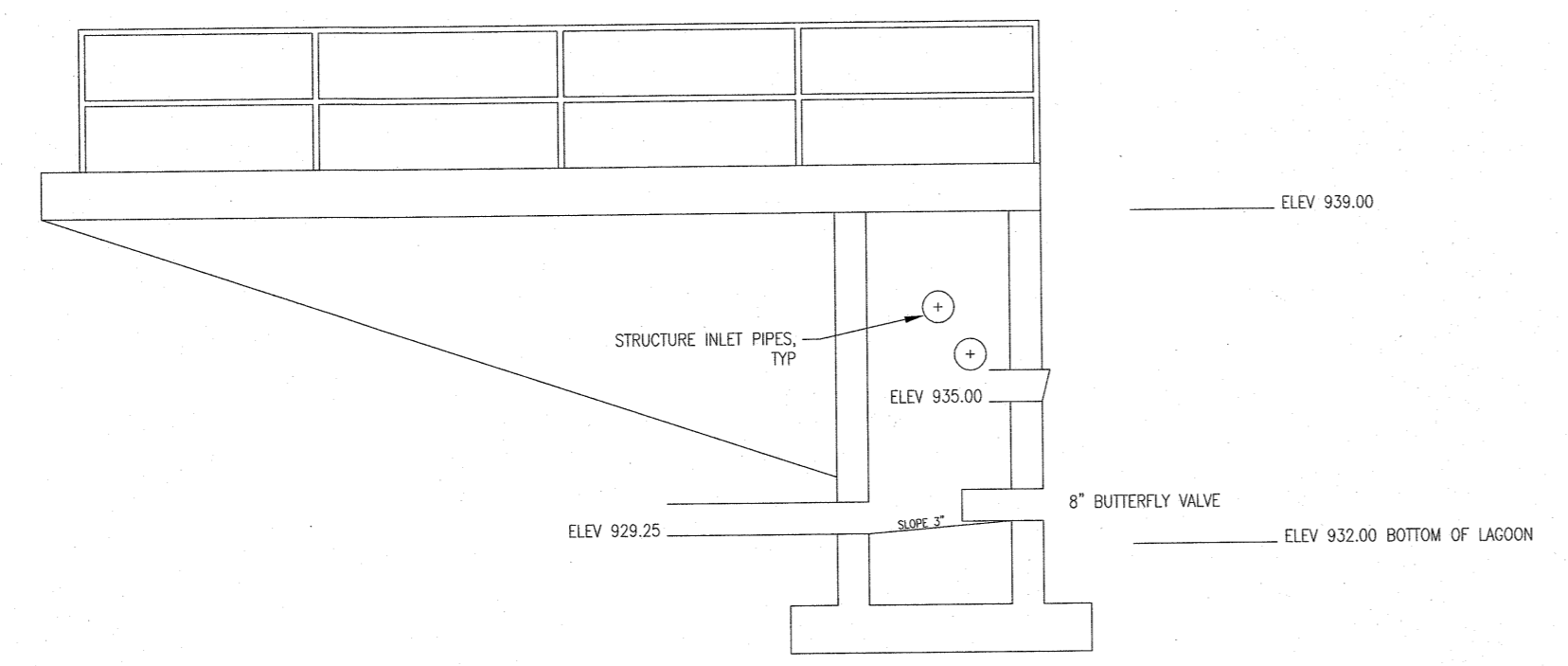
16



- NOTE:  
 1. REMOVE ANY LOOSE CONCRETE AND MATERIAL FROM SURFACE OF EXISTING CONCRETE.  
 2. CLEAN EXISTING CONCRETE TO 1" BELOW POUR LINE.  
 3. DRILL IN DOWELS AND SECURE IN EPOXY.  
 4. APPLY BONDING AGENT SIKADUR 32 1H-MOD OR EQUIVALENT TO TOP OF EXISTING WALL. PREPARE AND INSTALL PER MANUFACTURER'S INSTRUCTIONS.  
 5. CAST-IN-PLACE WALL.  
 6. COAT ALL NEW & CLEANED CONCRETE WITH CLEAR SILICONE BASED WATER PROOFING.

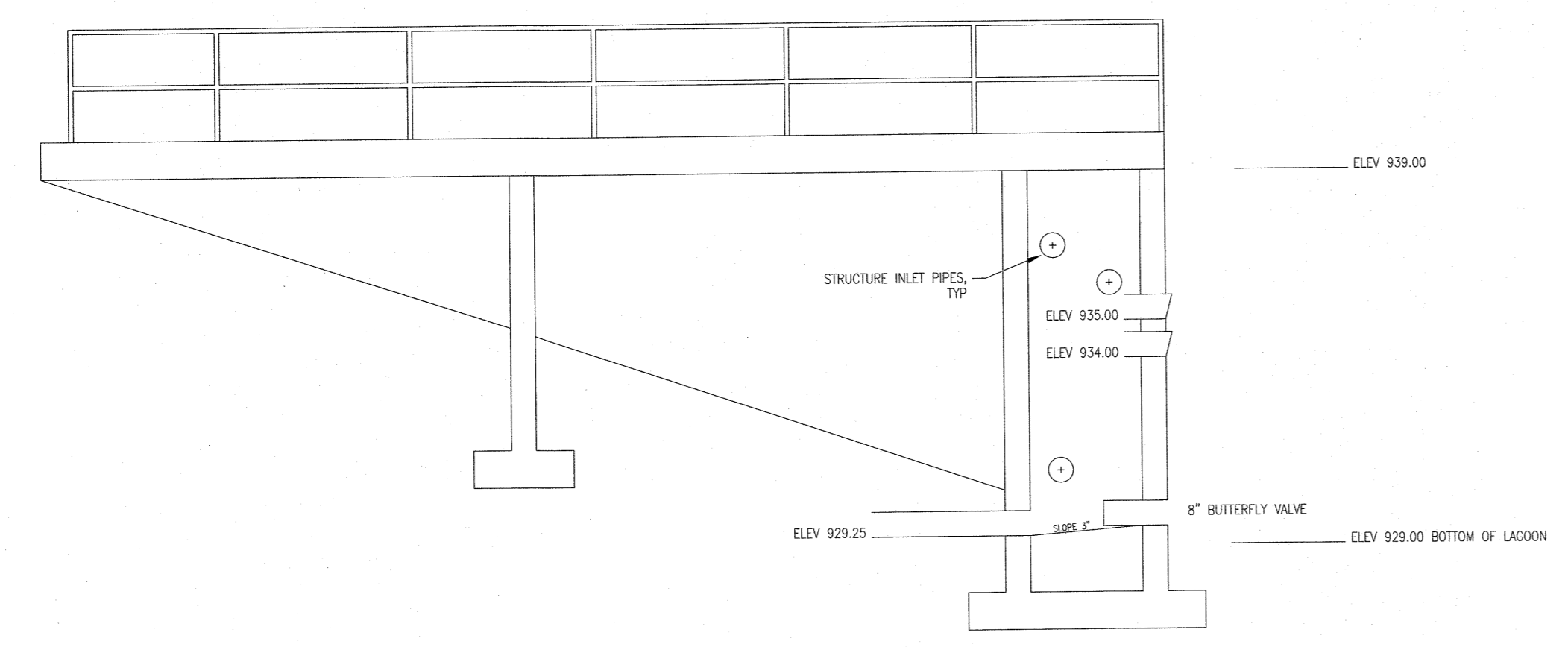
**EXISTING EFFLUENT STRUCTURE  
 VERTICAL EXTENSION, TYP**  
 NOT TO SCALE

- NOTE:  
 1. SEAM BETWEEN NEW & EXISTING STRUCTURE SHALL BE WATER TIGHT.



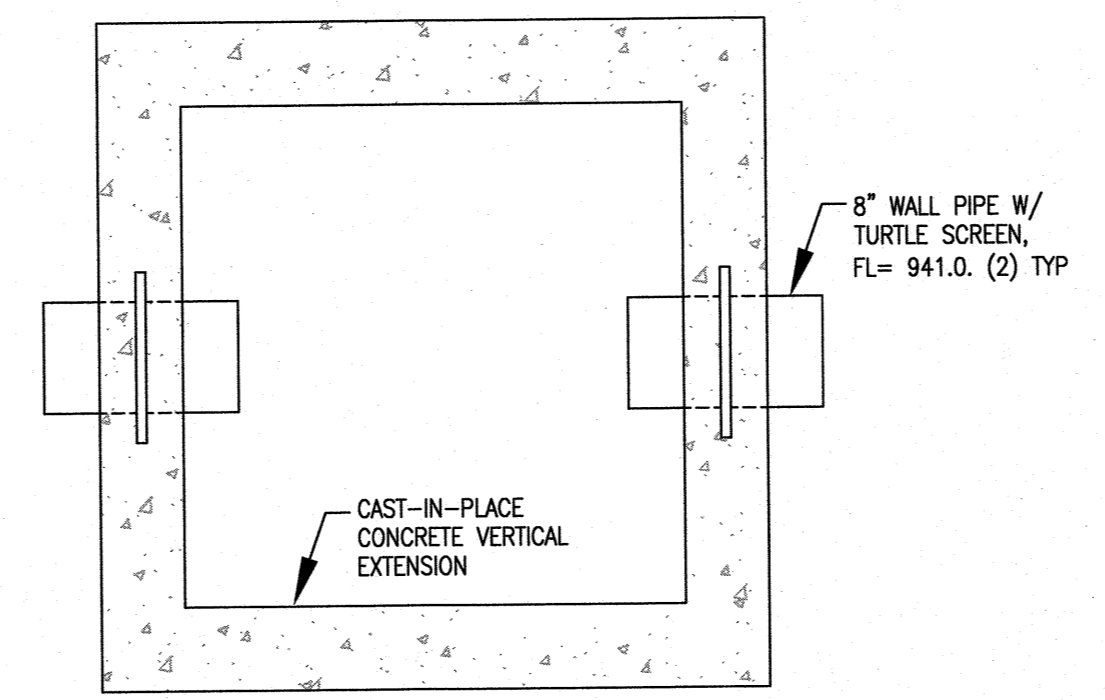
**EXISTING EFFLUENT STRUCTURE  
 CELLS 1 & 2**  
 NOT TO SCALE

- NOTE:  
 1. ASSUMED INFORMATION FROM THE EXISTING PLANS.  
 2. ELEVATIONS DO NOT APPEAR TO MATCH WITH INFORMATION GATHERED BY ALLSTATE.



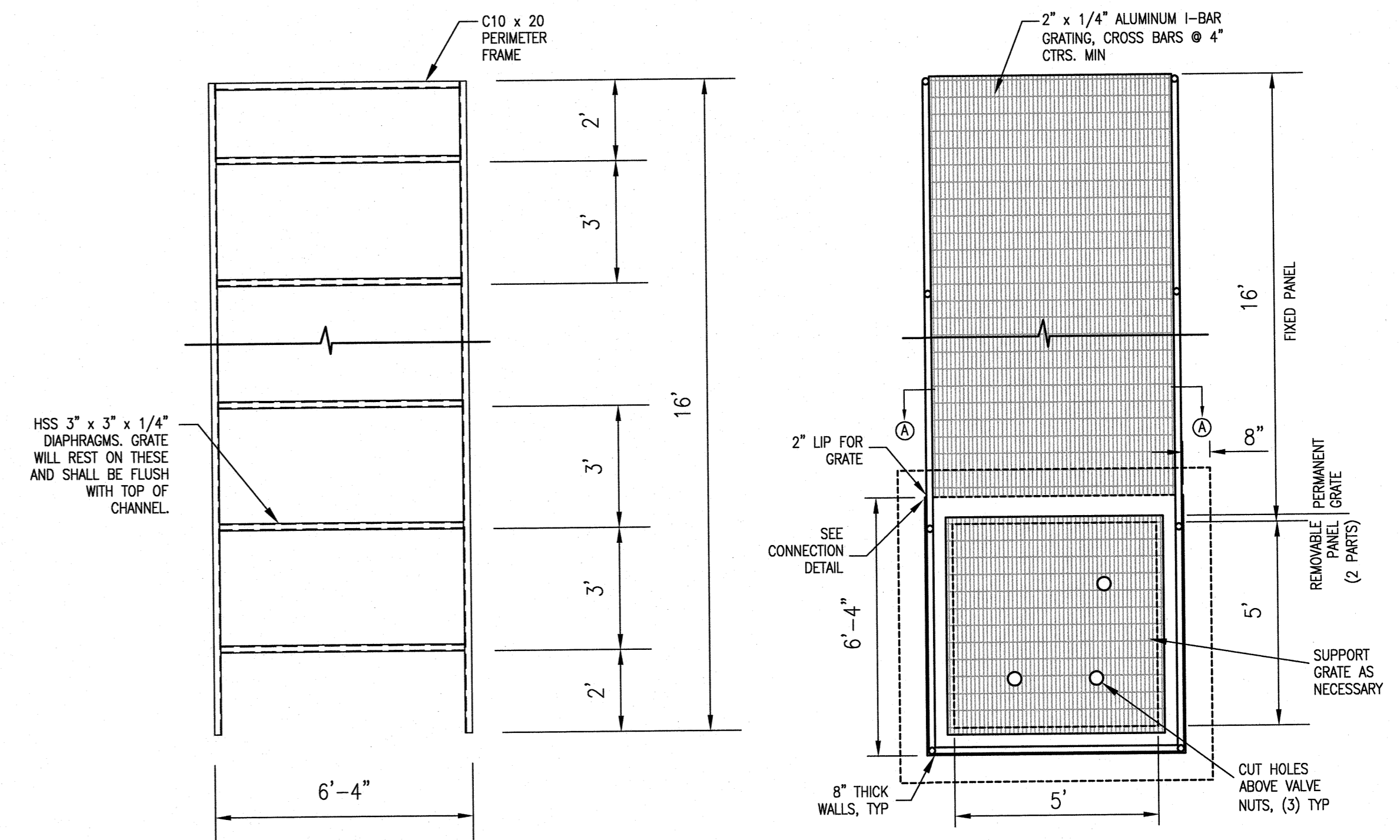
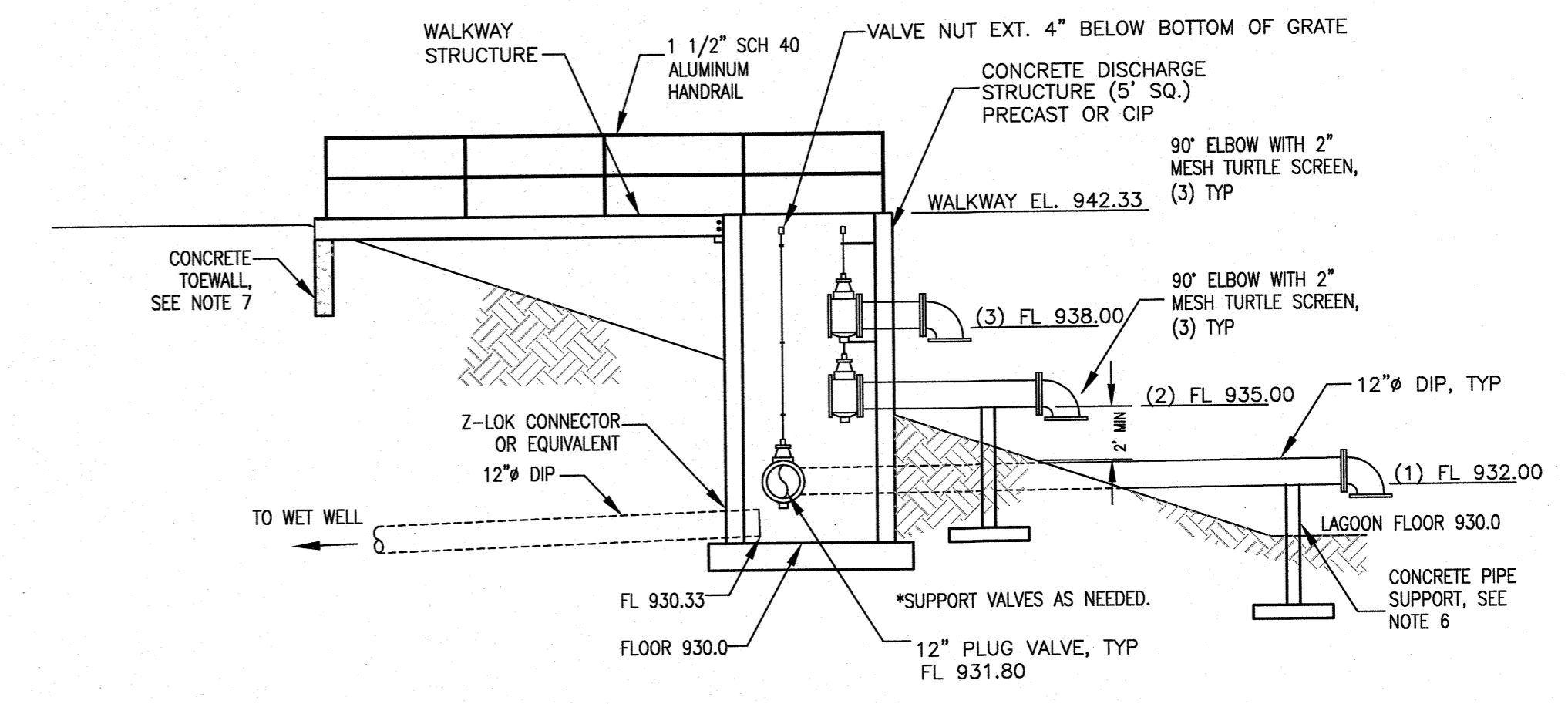
**EXISTING EFFLUENT STRUCTURE  
 CELL 3**  
 NOT TO SCALE

- NOTE:  
 1. ASSUMED INFORMATION FROM THE RHODES-SAYRE PLANS.  
 2. ELEVATIONS DO NOT APPEAR TO MATCH WITH INFORMATION GATHERED BY ALLSTATE.



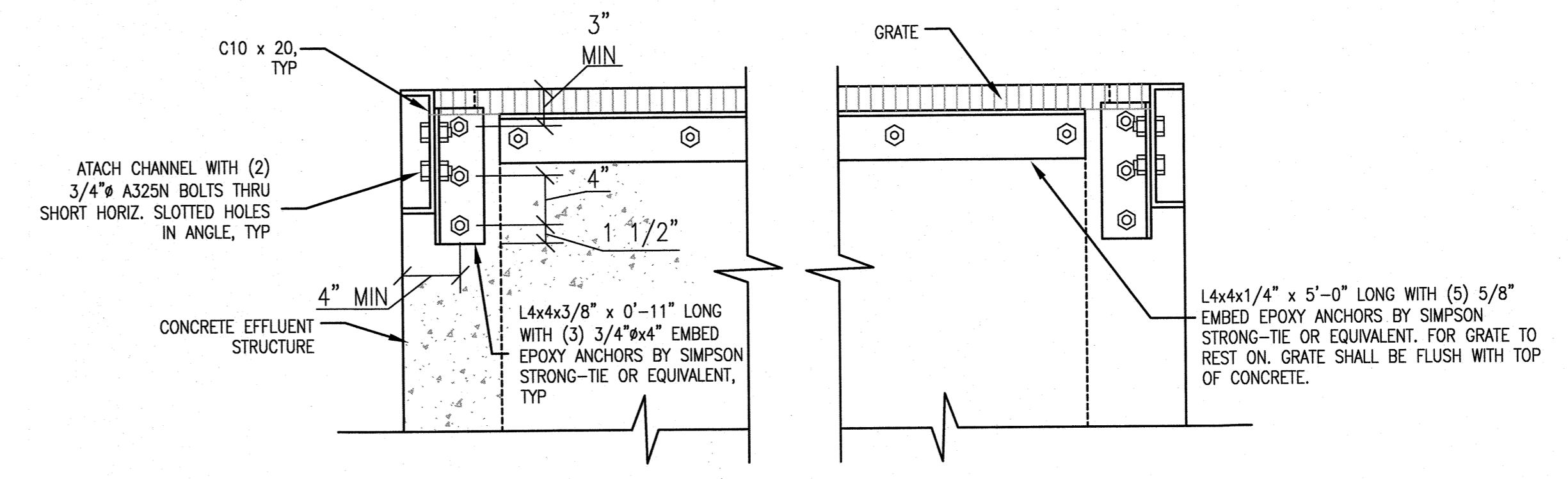
**EXISTING CELL 3 EFFLUENT STRUCTURE  
 VERTICAL EXTENSION PLAN**  
 NOT TO SCALE

- NOTE:  
 1. SEAM BETWEEN NEW & EXISTING STRUCTURE SHALL BE WATER TIGHT.  
 2. EXISTING SHEAR GATES SHALL BE WELDED SHUT & ACTUATORS REMOVED.  
 3. EXISTING INLETS SHALL BE FILLED WITH NON-SHRINK GROUT.



**PROPOSED EFFLUENT STRUCTURE**  
 NOT TO SCALE

- EFFLUENT STRUCTURE NOTES:  
 1. ALL STEEL FRAMING MATERIALS SHALL BE SHOP PRIMED AND FIELD PAINTED w/ TWO COATS OF EPOXY BASE PAINT, COLOR AS SELECTED BY OWNER.  
 2. SHOP DRAWINGS REQ'D. FOR ENGINEER APPROVAL.  
 3. NEOPRENE PADS SHALL BE PROVIDED BETWEEN ALUMINUM AND STEEL SURFACES.  
 4. STAINLESS STEEL CLIPS AND HARDWARE SHALL BE REQUIRED FOR SECURING GRATING TO FRAME.  
 5. HANDRAIL SHALL BE 1-1/2" SCH. 40 ALUMINUM HANDRAIL (FIELD CUT AND FIT).  
 6. REINFORCED CONCRETE PIPE SUPPORT: BASE SHALL BE 3'-0" x 3'-0" x 6" THICK. UPRIGHT SHALL BE 2'-0" x 6" THICK.  
 7. REINFORCED CONCRETE TOWALL: SHALL BE 7'-0" x 3'-0" x 8" THICK.



**EFFLUENT STRUCTURE SECTION A-A  
 CONNECTION DETAIL**  
 NOT TO SCALE