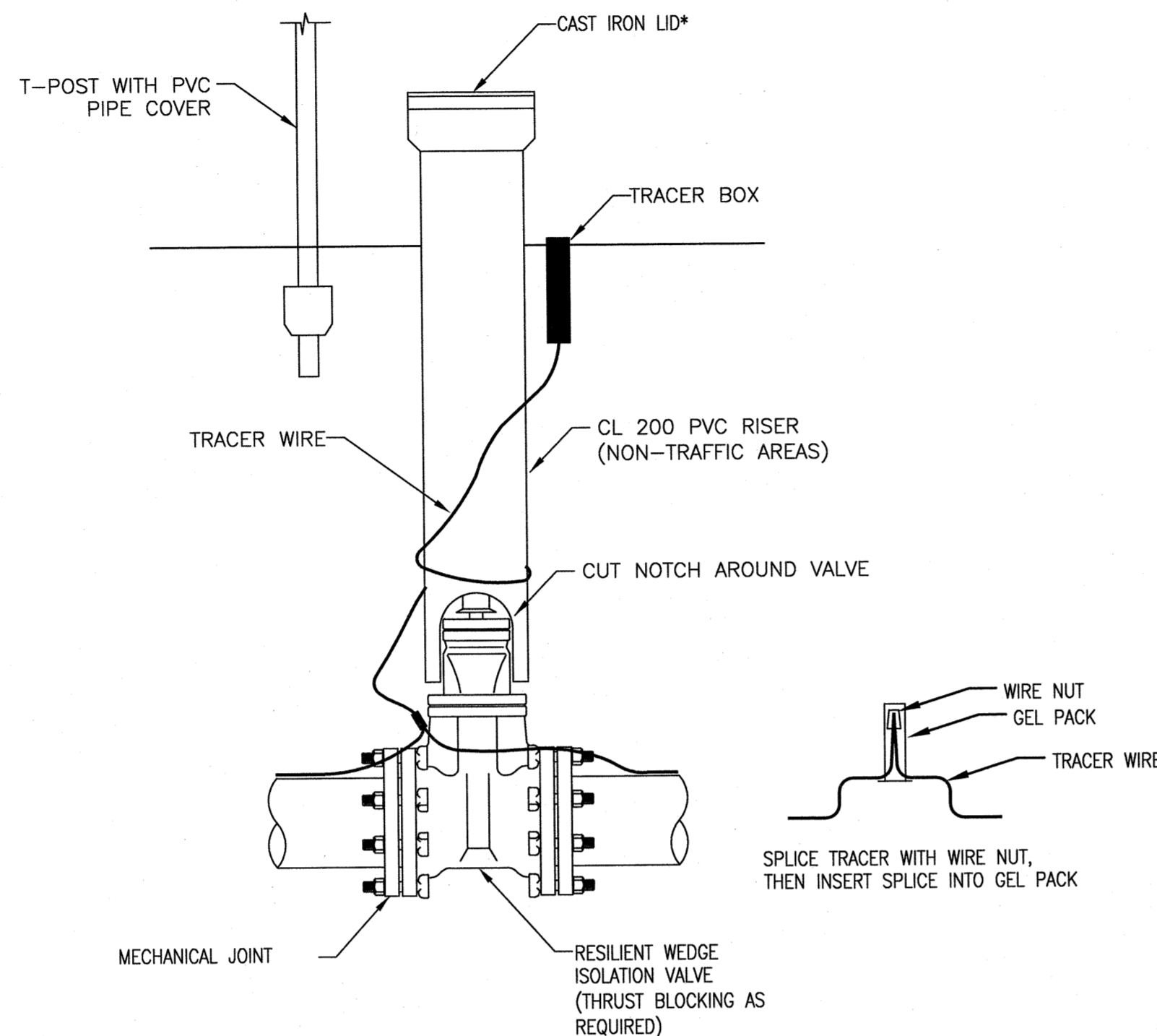
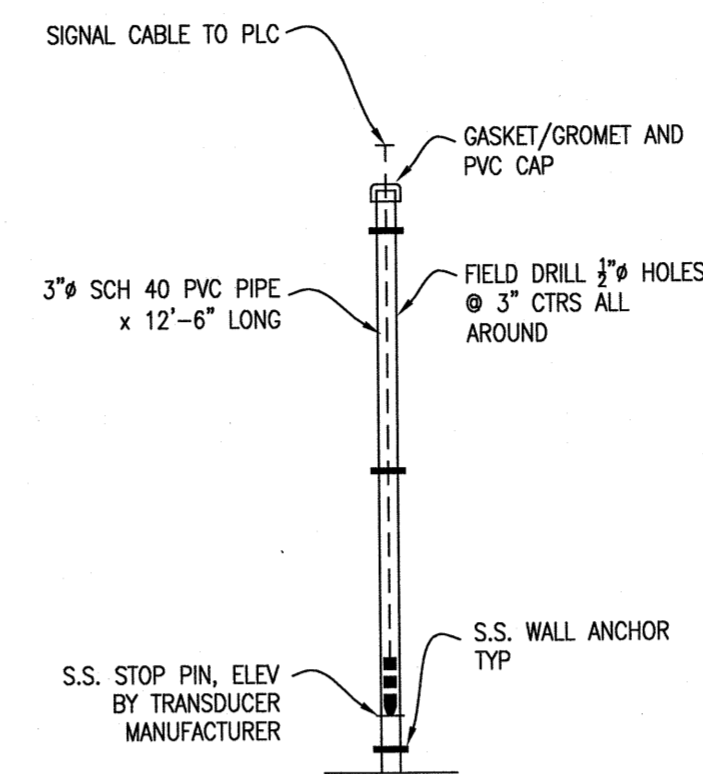


TRACER WIRE REQUIREMENTS

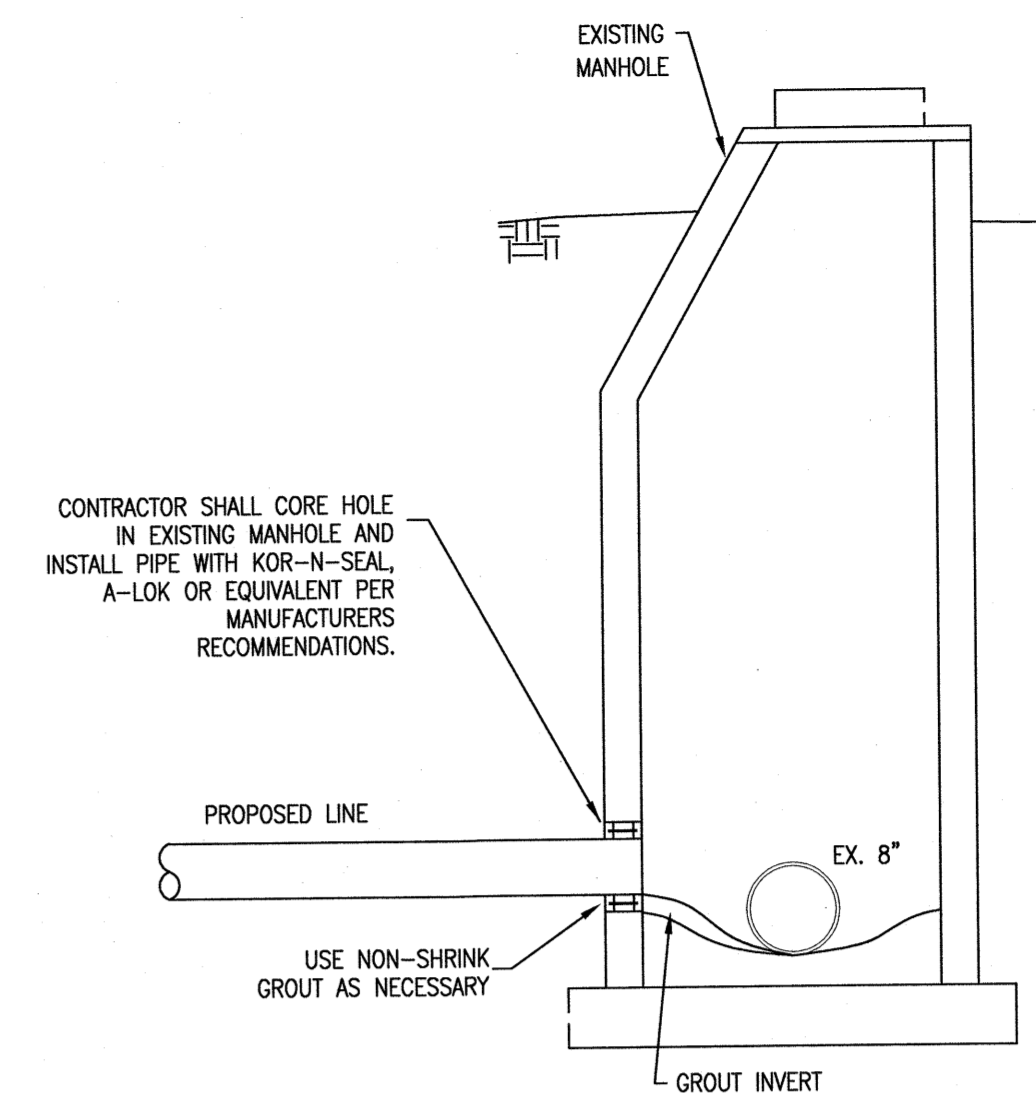
TRACER WIRE SHALL BE NO 12 POLYETHYLENE COATED COPPER CLAD STEEL WIRE INTENDED FOR DIRECT BURIAL AND THE INTENDED PURPOSE. TRACER WIRE SHALL BE AS MANUFACTURED BY COPPERHEAD OR APPROVED EQUIVALENT. TRACER WIRE SHALL BE SPLICED AT ALL LOCATIONS REQUIRED WITH AN APPROVED WATER RESISTANT CONNECTOR. CONTRACTOR SHALL FURNISH AND INSTALL MAGNETIZED TRACER BOXES FOR TRACER WIRE CONNECTION AT EACH VALVE LOCATION. TRACER BOXES SHALL BE AS MANUFACTURED BY COPPERHEAD, SNAKEPIT LITE DUTY MODEL, COLOR CODED FOR WASTEWATER, OR APPROVED EQUIVALENT.



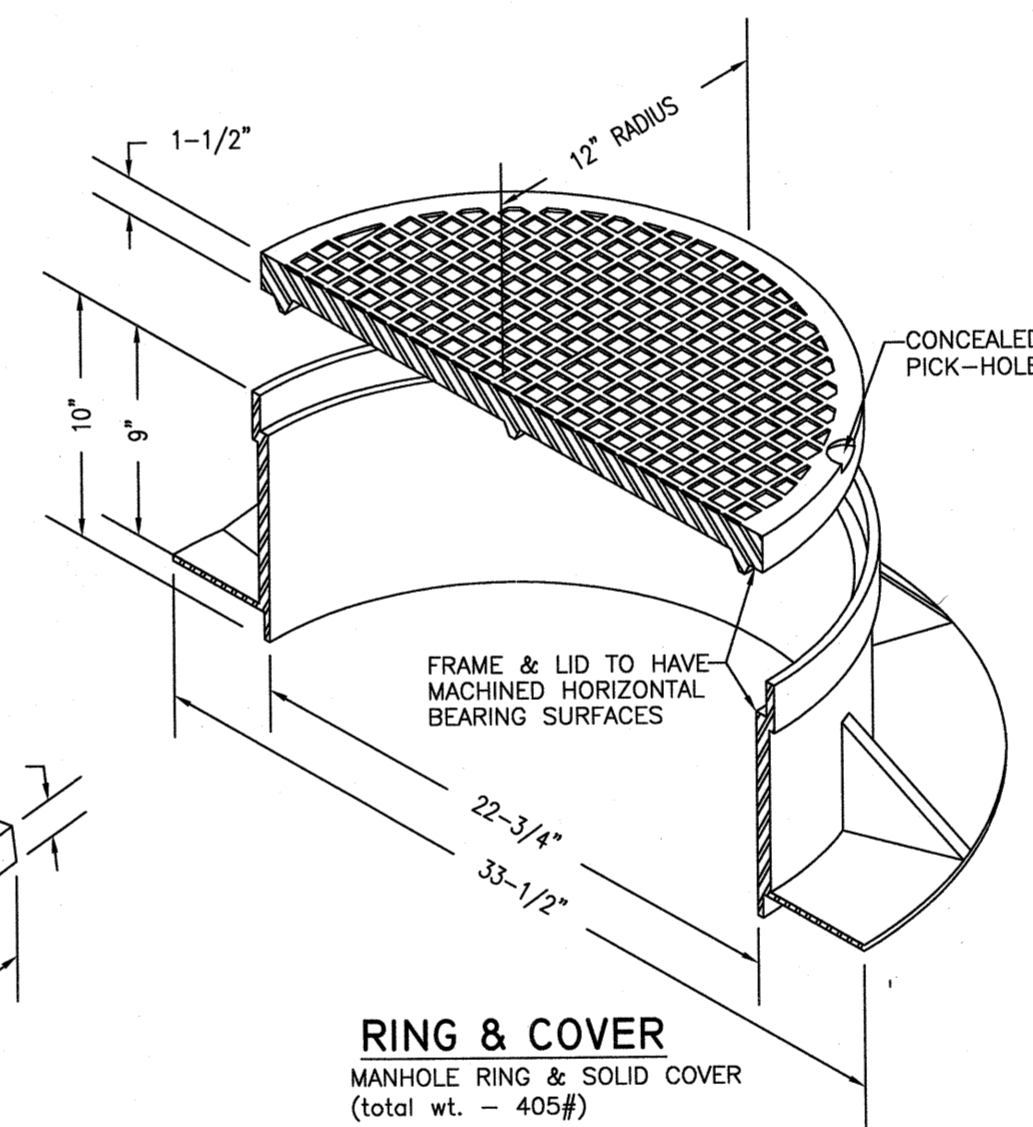
*LID SHALL HAVE THE WORD "SEWER" CAST IN IT
TYPICAL VALVE BOX SETTING
N.T.S.



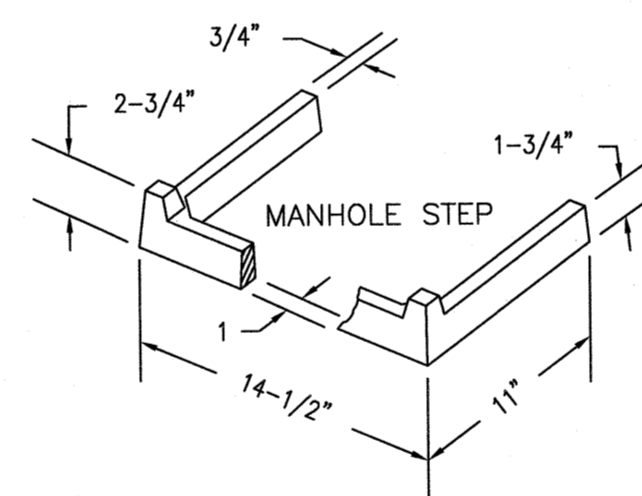
*STILLING WELL TO BE MOUNTED INSIDE WETWELL.
TRANSDUCER STILLING WELL
N.T.S.



EXISTING MANHOLE TIE-IN
N.T.S.
NOTE:
1. MAINTAIN ALL FLOW TO LAGOON

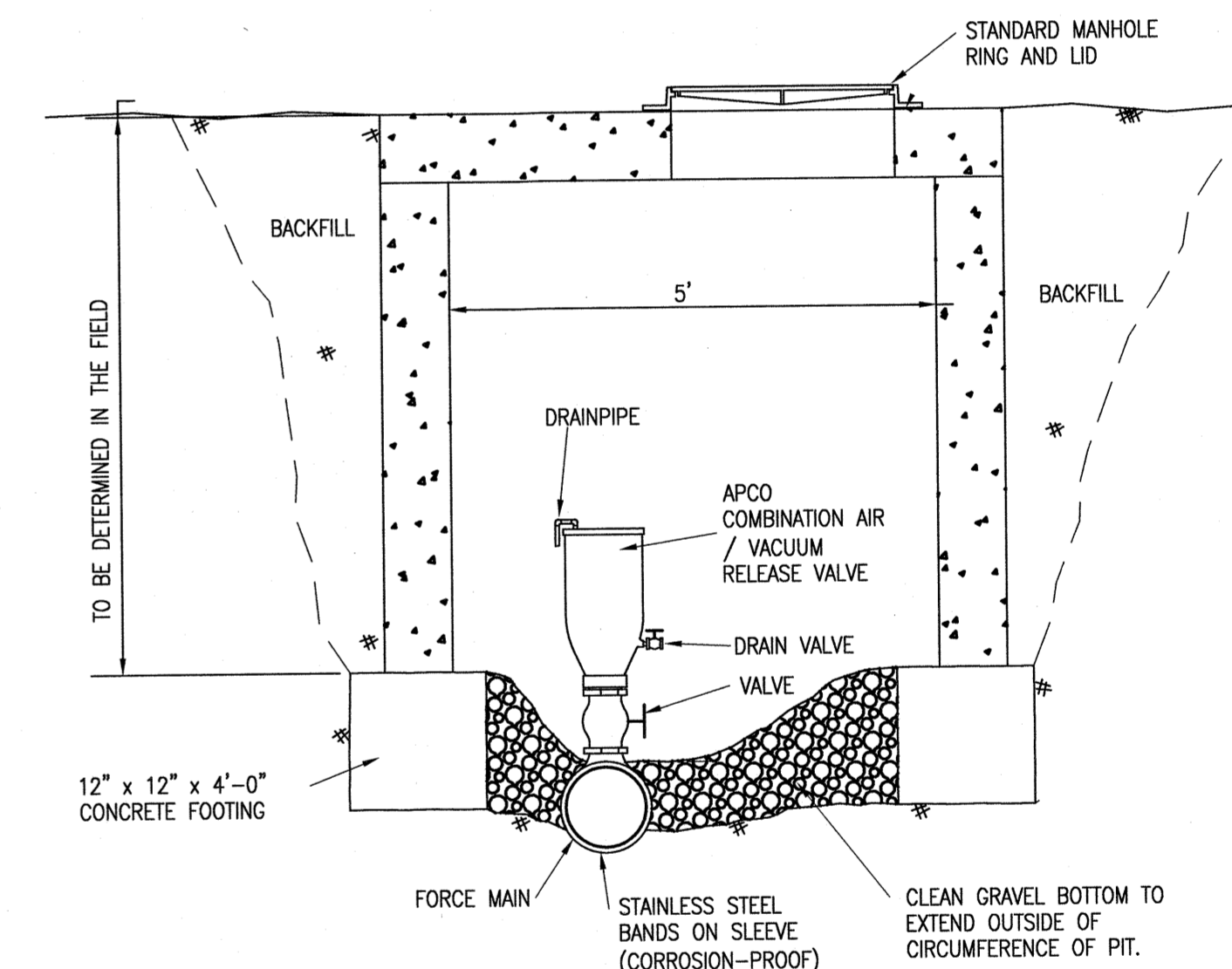


RING & COVER
MANHOLE RING & SOLID COVER (total wt. - 405#)

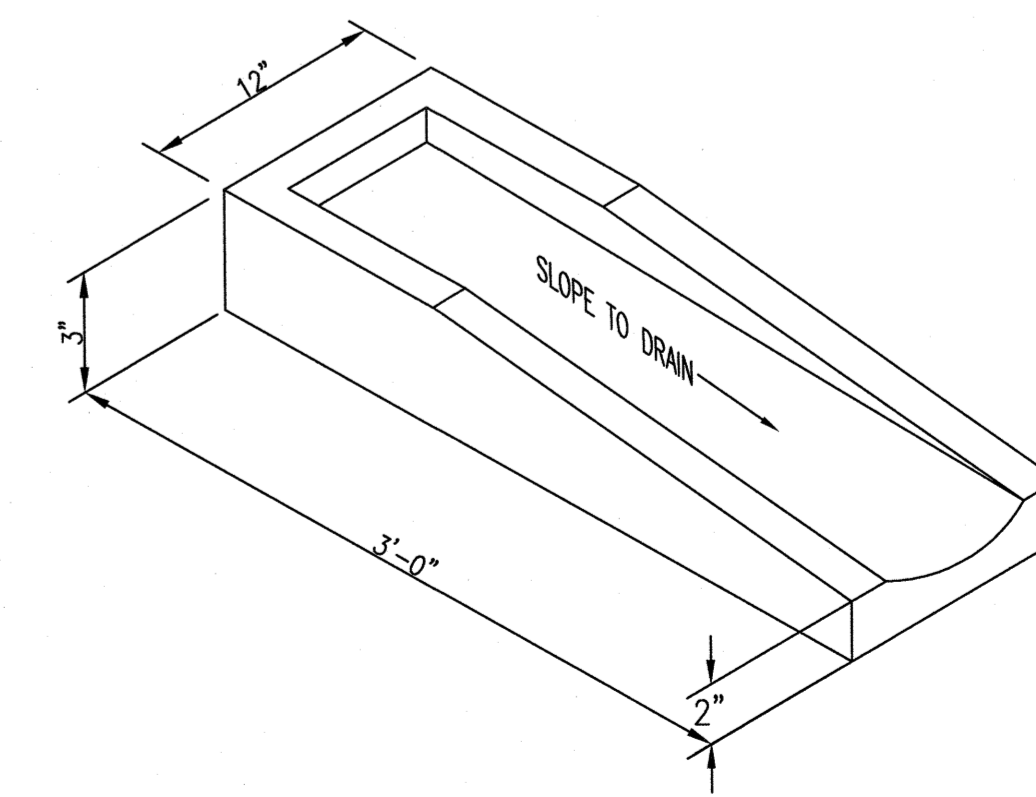


MANHOLE STEP

MANHOLE CASTINGS
N.T.S.



COMBINATION AIR / VACUUM RELEASE VALVE
N.T.S.

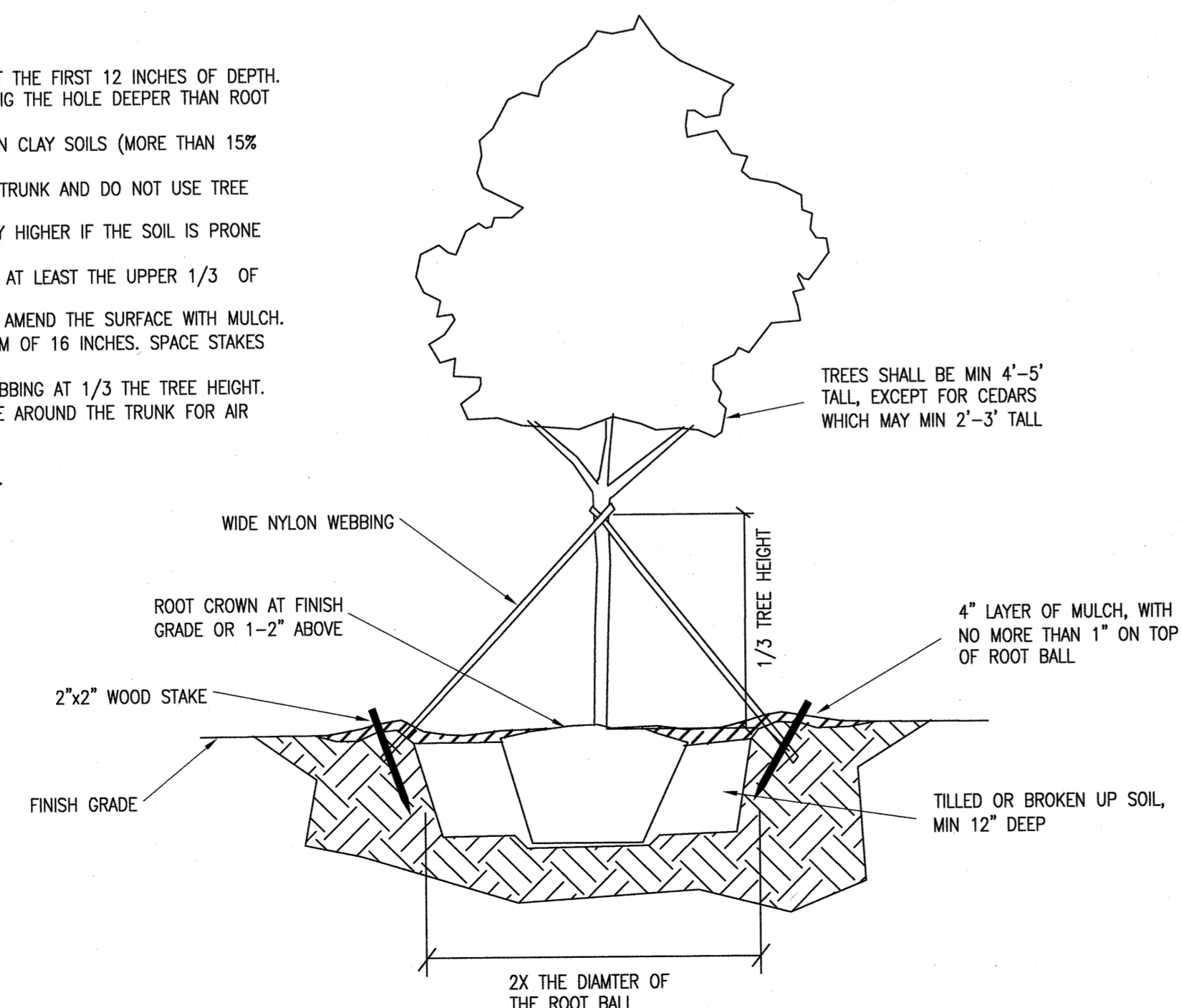


REQUIRED FOR ALL DOWNSPOUT DISCHARGE POINTS

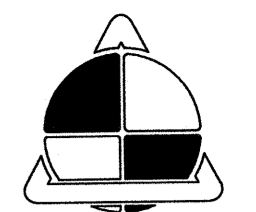
TYPICAL SPLASH BLOCK

NOTES: TREE PLANTING

1. DIG THE PLANTING HOLE A MINIMUM OF 2x WIDTH OF ROOTBALL FOR AT LEAST THE FIRST 12 INCHES OF DEPTH. BELOW 12 INCHES, DIG HOLE WIDE ENOUGH TO PERMIT ADJUSTING. DO NOT DIG THE HOLE DEEPER THAN ROOT BALL DEPTH.
2. SCARIFY THE SUBGRADE AND SIDES OF THE PLANTING HOLE WHEN PLANTING IN CLAY SOILS (MORE THAN 15% CLAY).
3. LIFT AND SET THE TREE BY ROOT BALL ONLY. DO NOT LIFT USING THE TREE TRUNK AND DO NOT USE TREE TRUNK AS A LEVER.
4. SET THE TOP OF THE ROOT BALL LEVEL WITH THE SOIL SURFACE OR SLIGHTLY HIGHER IF THE SOIL IS PRONE TO SETTLING.
5. AFTER THE TREE IS SET IN PLACE, REMOVE BURLAP, WIRE AND STRAPS FROM AT LEAST THE UPPER 1/3 OF THE ROOTBALL.
6. BACKFILL WITH EXISTING SOIL THAT HAS BEEN WELL-TILLED OR BROKEN UP. AMEND THE SURFACE WITH MULCH.
7. USE THREE 2" x 2" WOOD STAKES DRIVEN INTO UNDISTURBED SOIL A MINIMUM OF 16 INCHES. SPACE STAKES EQUALLY AROUND THE TREE.
8. ATTACH 3/4" NYLON WEBBING TO CONNECT THE TREE TO STAKES. ATTACH WEBBING AT 1/3 THE TREE HEIGHT.
9. APPLY A 4" DEPTH OF MULCH TO THE PLANTING SURFACE. LEAVE A 2" SPACE AROUND THE TRUNK FOR AIR CIRCULATION.
10. REMOVE ANY TRUNK WRAP REMAINING AT TIME OF PLANTING.
11. WATER TREE AFTER PLANTING WITH SUFFICIENT WATER AND ROOT STIMULATOR.



TREE PLANTING DETAIL
N.T.S.



ALLSTATE CONSULTANTS

P.O. BOX 156, 30601 HIGHWAY 5
MARCELINE, MO. 64658
(800) 376-2941
allstateconsultants.net

MISSOURI STATE CERTIFICATE OF AUTHORITY #2007004004

RELEASE OF THIS DRAWING IN ANY MANNER IS STRICTLY PROHIBITED WITHOUT THE WRITTEN APPROVAL OF ALLSTATE CONSULTANTS, LLC.

STANDARD DETAILS
CITY OF GILMAN CITY
WASTEWATER TREATMENT FACILITY
GILMAN CITY, MISSOURI

STATE OF MISSOURI
CARY D. SAYRE
REGISTERED PROFESSIONAL ENGINEER
NO. 13797A
7/21/2017

DATE
JULY 2017

REVISED:

JOB NUMBER
13147.01

SCALE

SHEET

19