

DATE: 6/29/2018  
 Eric R. Olson, P.E. - Civil Engineer  
 Registration #: E-28164

REV	DESCRIPTION	DATE

**AVCRAD PHASE 3A ADDITION**  
 1107th THEATER AVIATION SUSTAINMENT MAINTENANCE GROUP  
 MISSOURI ARMY NATIONAL GUARD  
 GREENE COUNTY  
 SPRINGFIELD, MISSOURI  
 CONTRACT NO. T1808-01  
 NATIONAL GUARD BUREAU  
 NGB PROJECT NO. 290709

Key Plan:

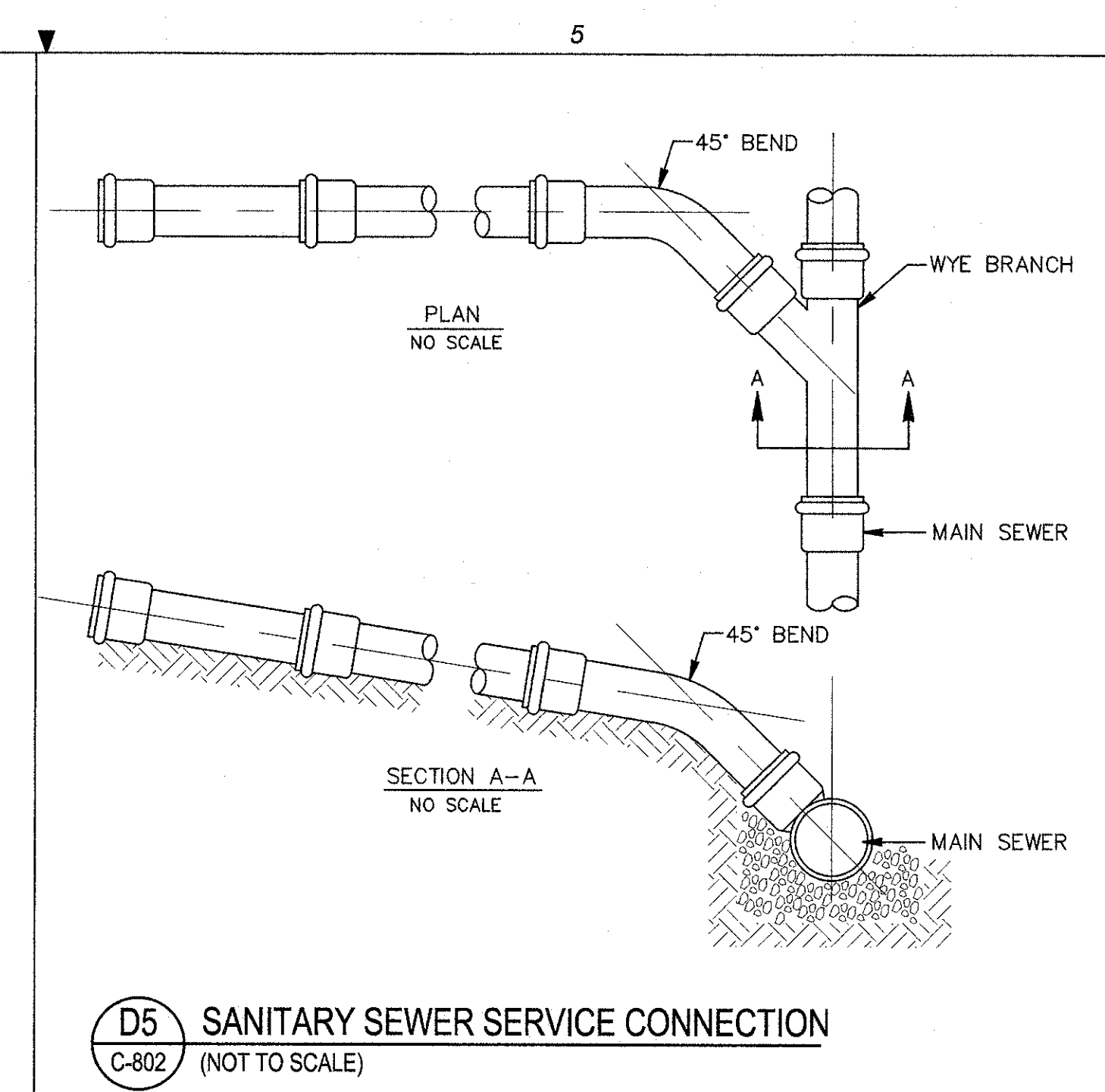
Scales:

Project No.: T1808-01  
 Drawing Title:

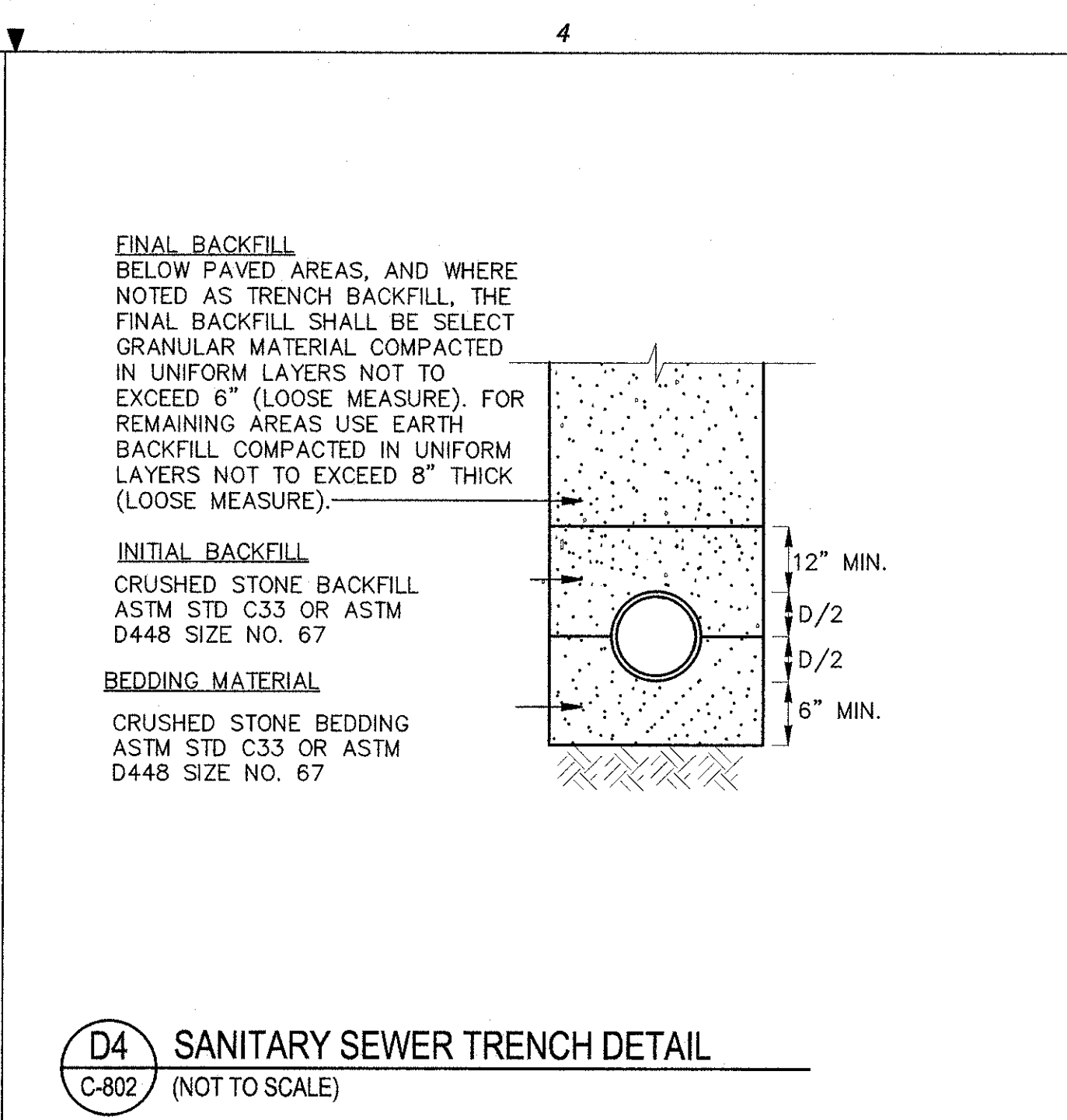
**SANITARY SEWER AND WATER MAIN DETAILS**

Date: 29 JUNE 2018

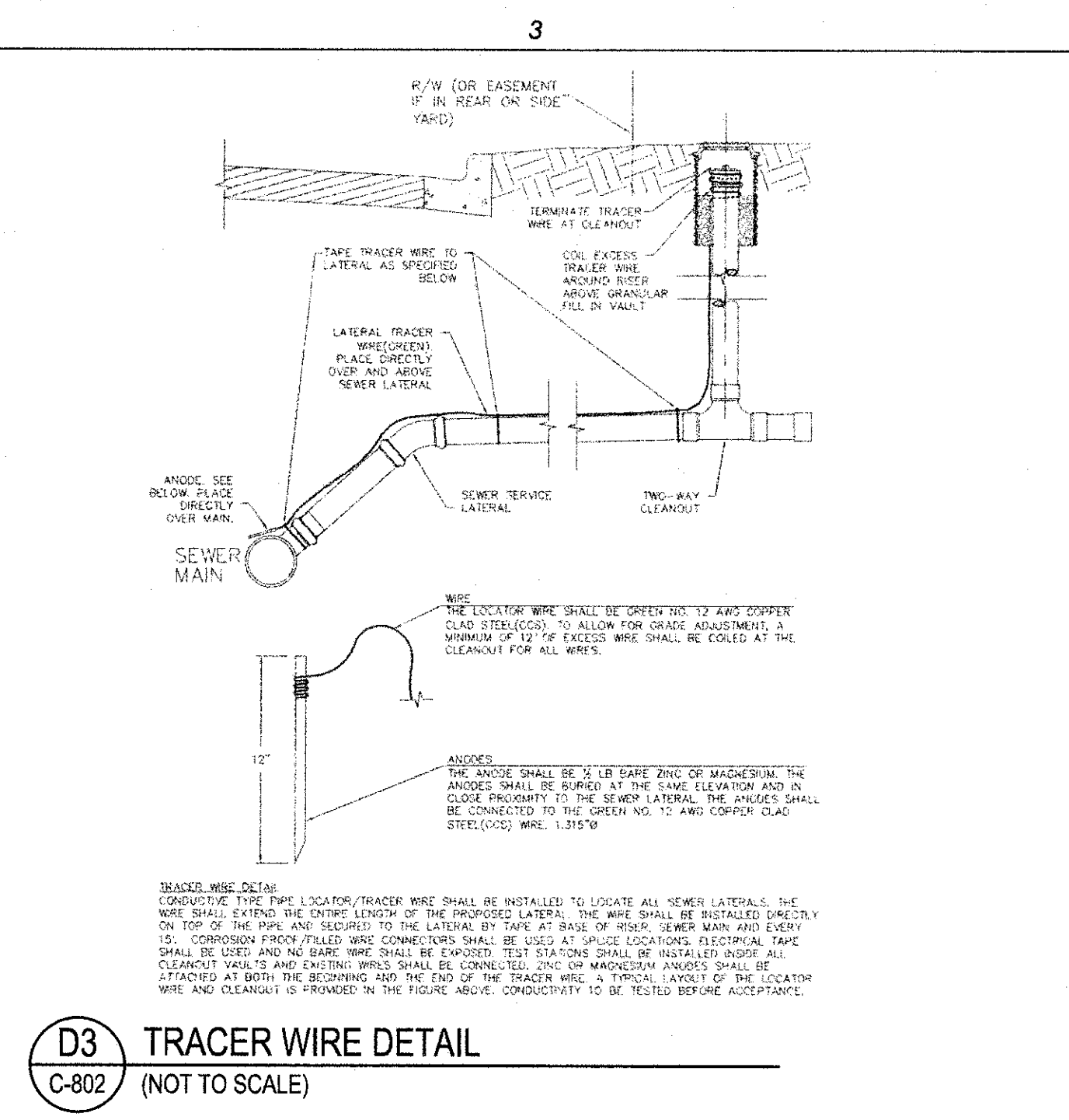
Designed: EO  
 Drawn: RW  
 Checked: MR  
**C-802**  
 52 of 322



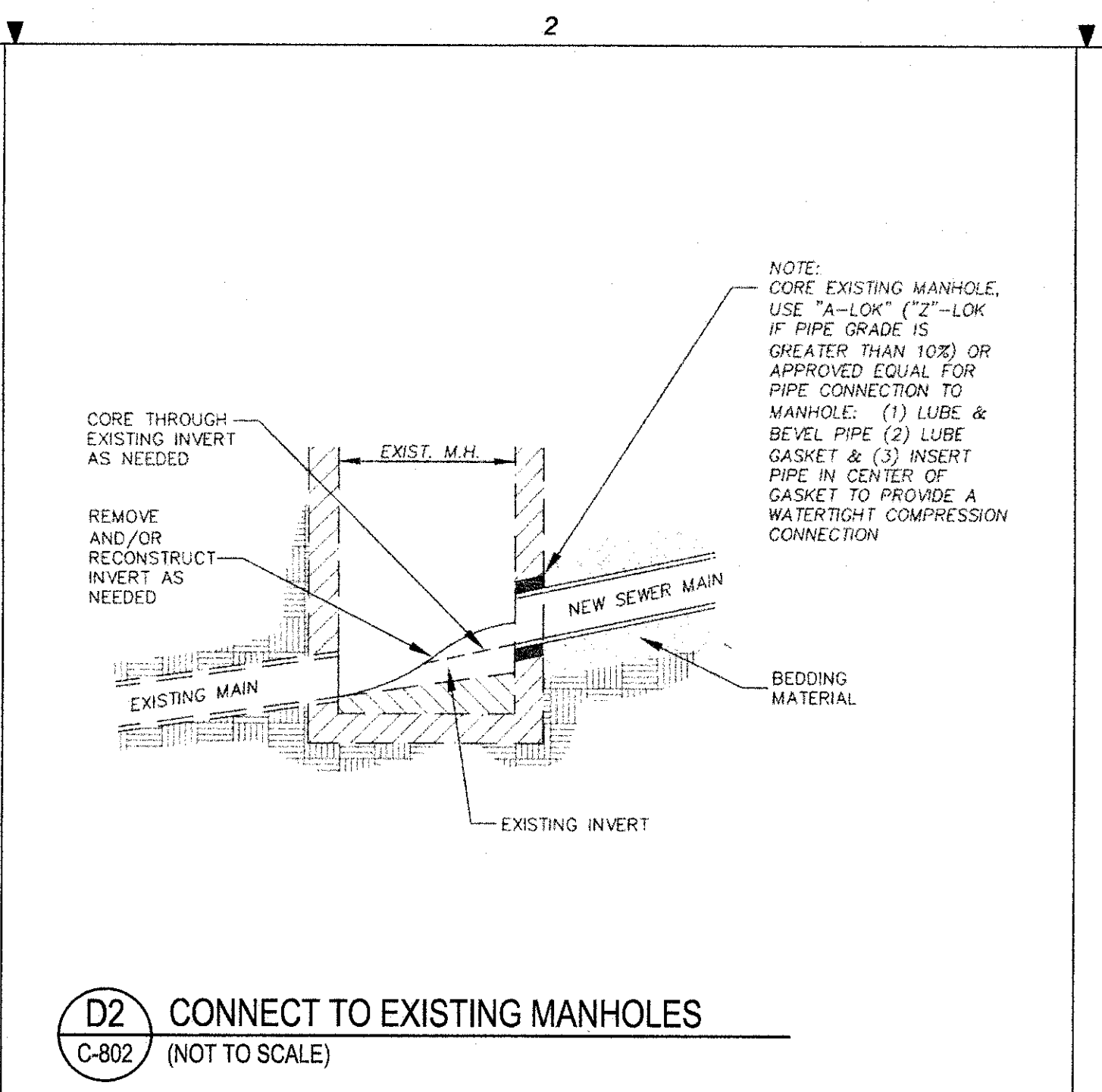
**D5 SANITARY SEWER SERVICE CONNECTION**  
 C-802 (NOT TO SCALE)



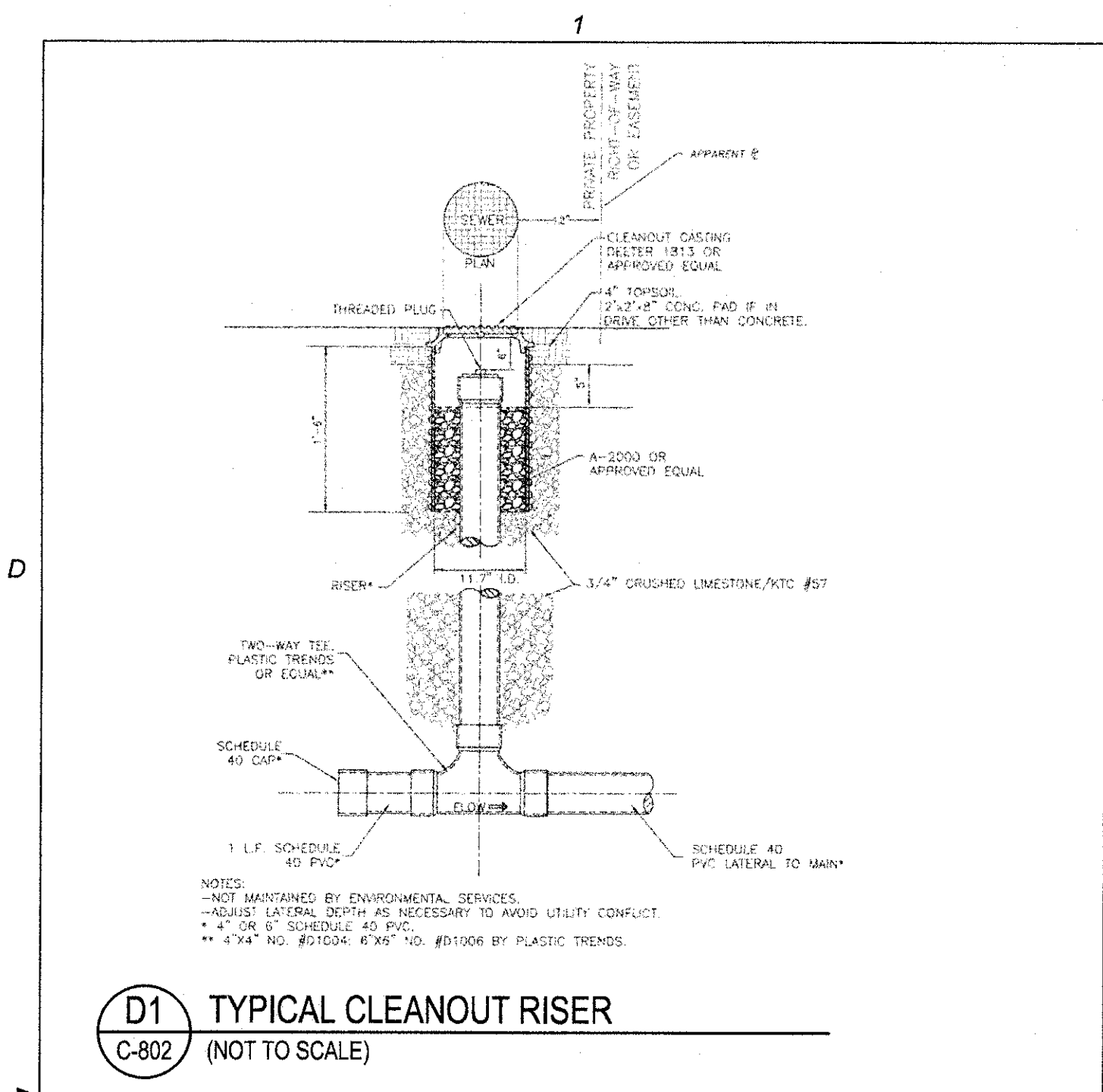
**D4 SANITARY SEWER TRENCH DETAIL**  
 C-802 (NOT TO SCALE)



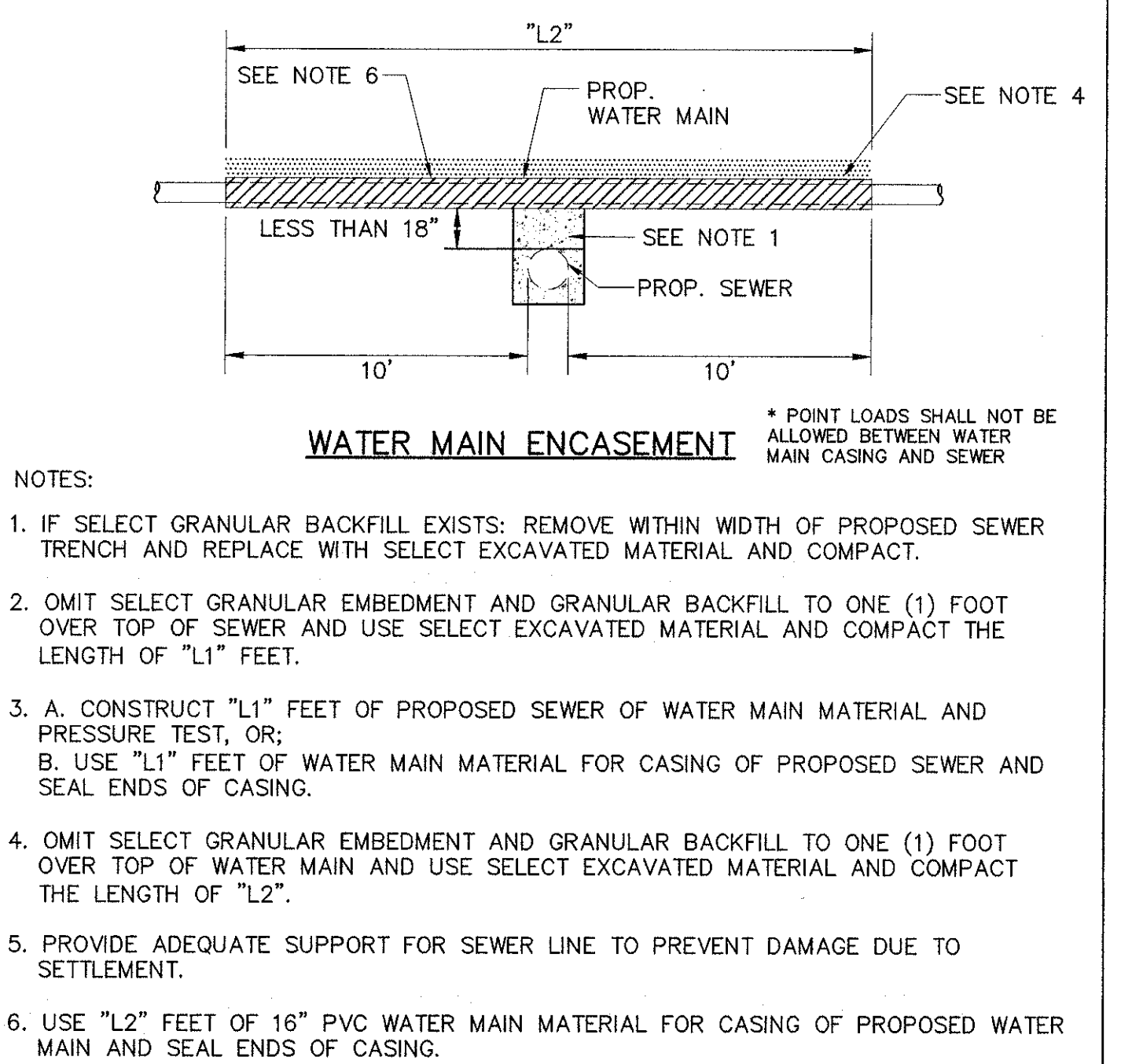
**D3 TRACER WIRE DETAIL**  
 C-802 (NOT TO SCALE)



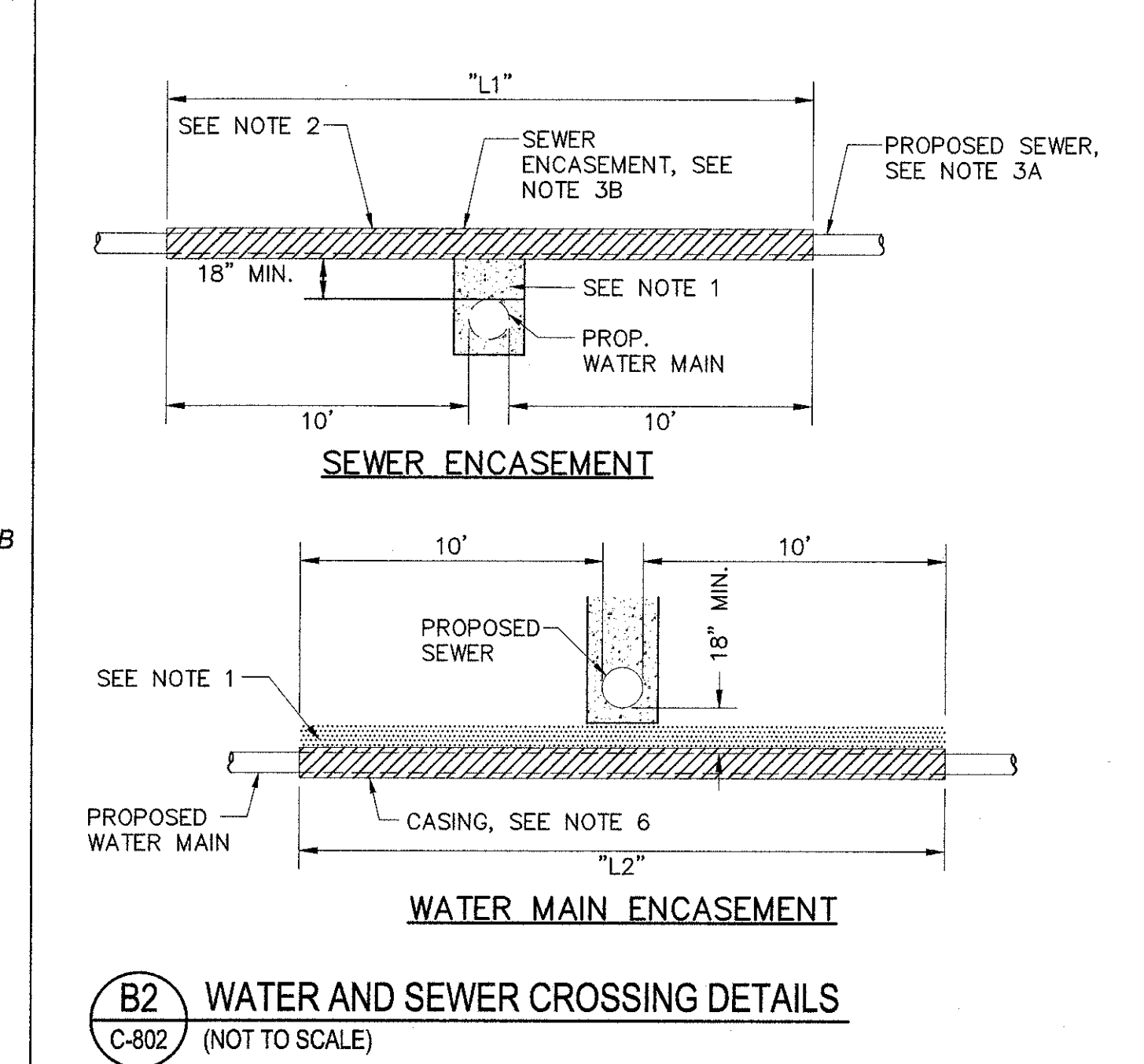
**D2 CONNECT TO EXISTING MANHOLES**  
 C-802 (NOT TO SCALE)



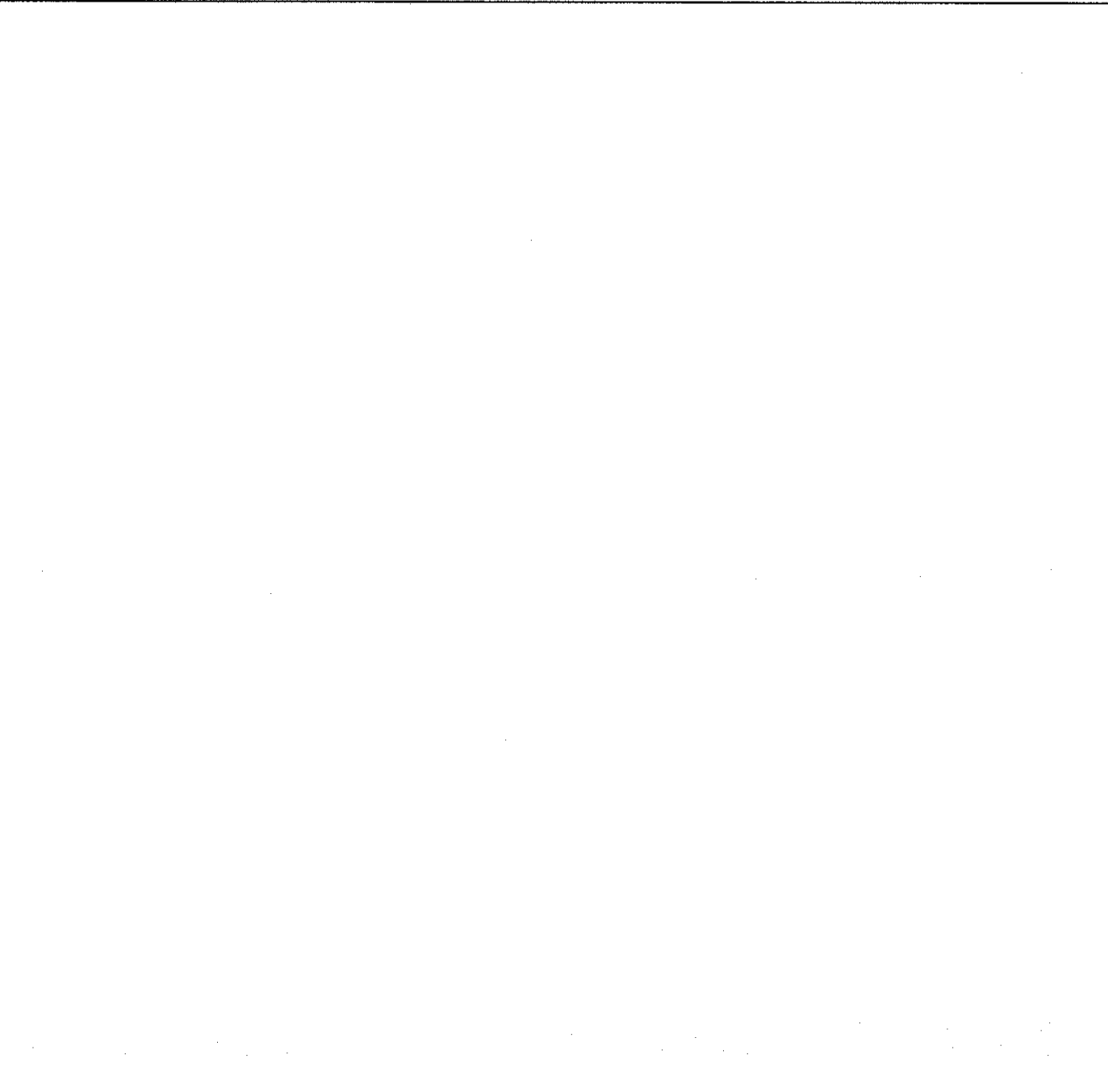
**D1 TYPICAL CLEANOUT RISER**  
 C-802 (NOT TO SCALE)



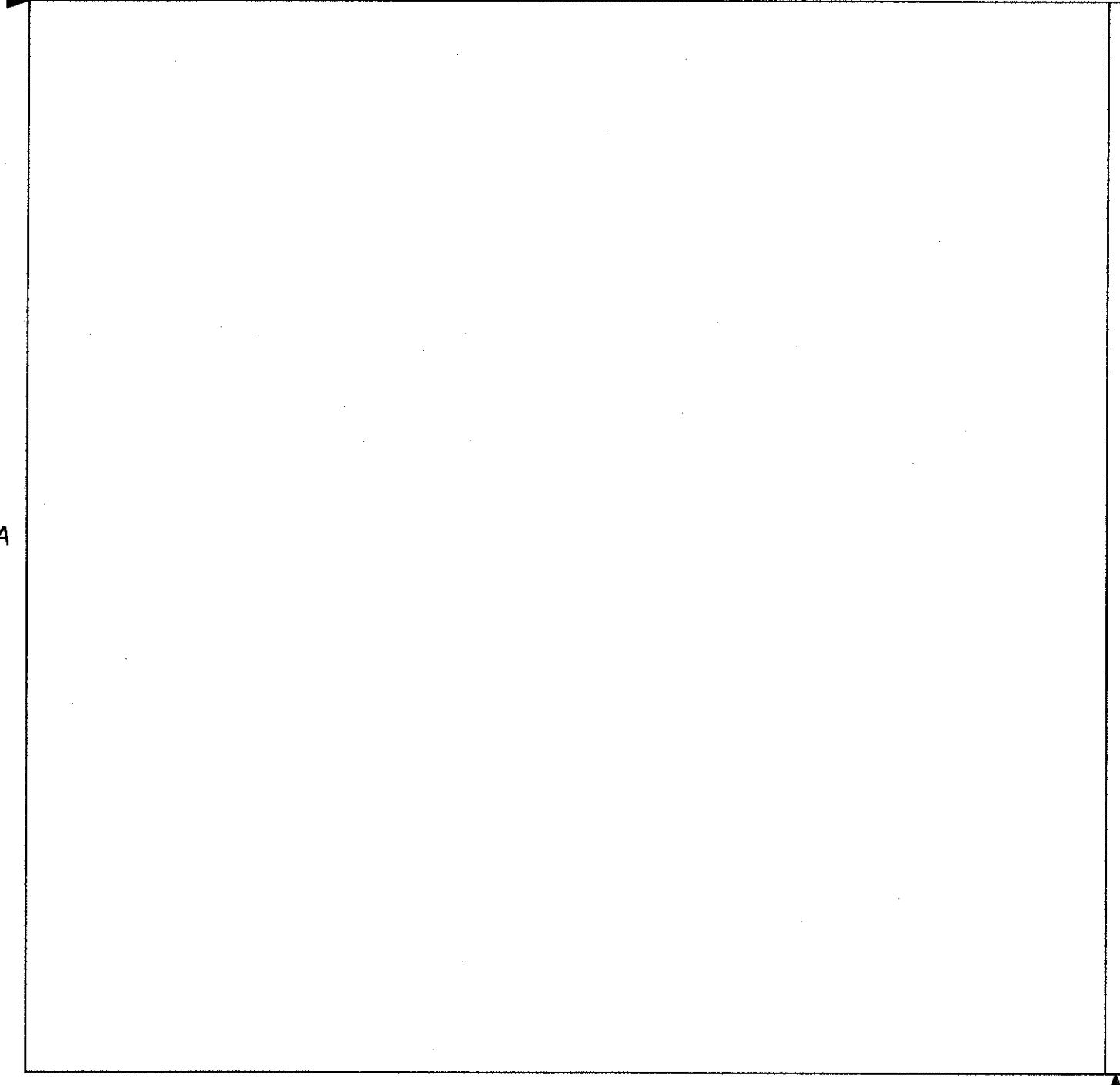
**A2 CONCRETE THRUST BLOCK**  
 C-802 (NOT TO SCALE)



**B2 WATER AND SEWER CROSSING DETAILS**  
 C-802 (NOT TO SCALE)



**A3 FIRE HYDRANT ASSEMBLY**  
 C-802 (NOT TO SCALE)



**A4 TRENCH CROSS SECTION**  
 C-802 (NOT TO SCALE)