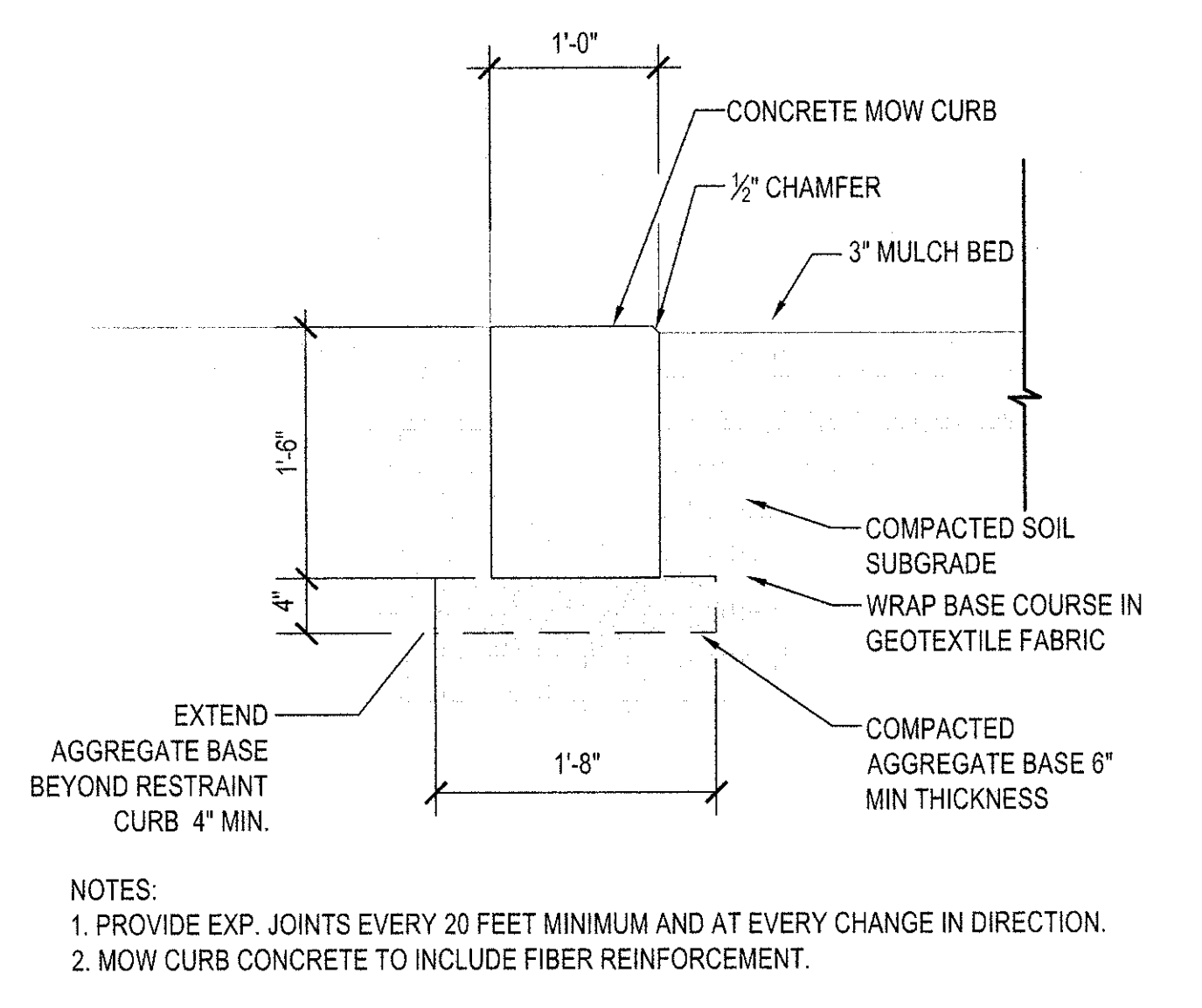
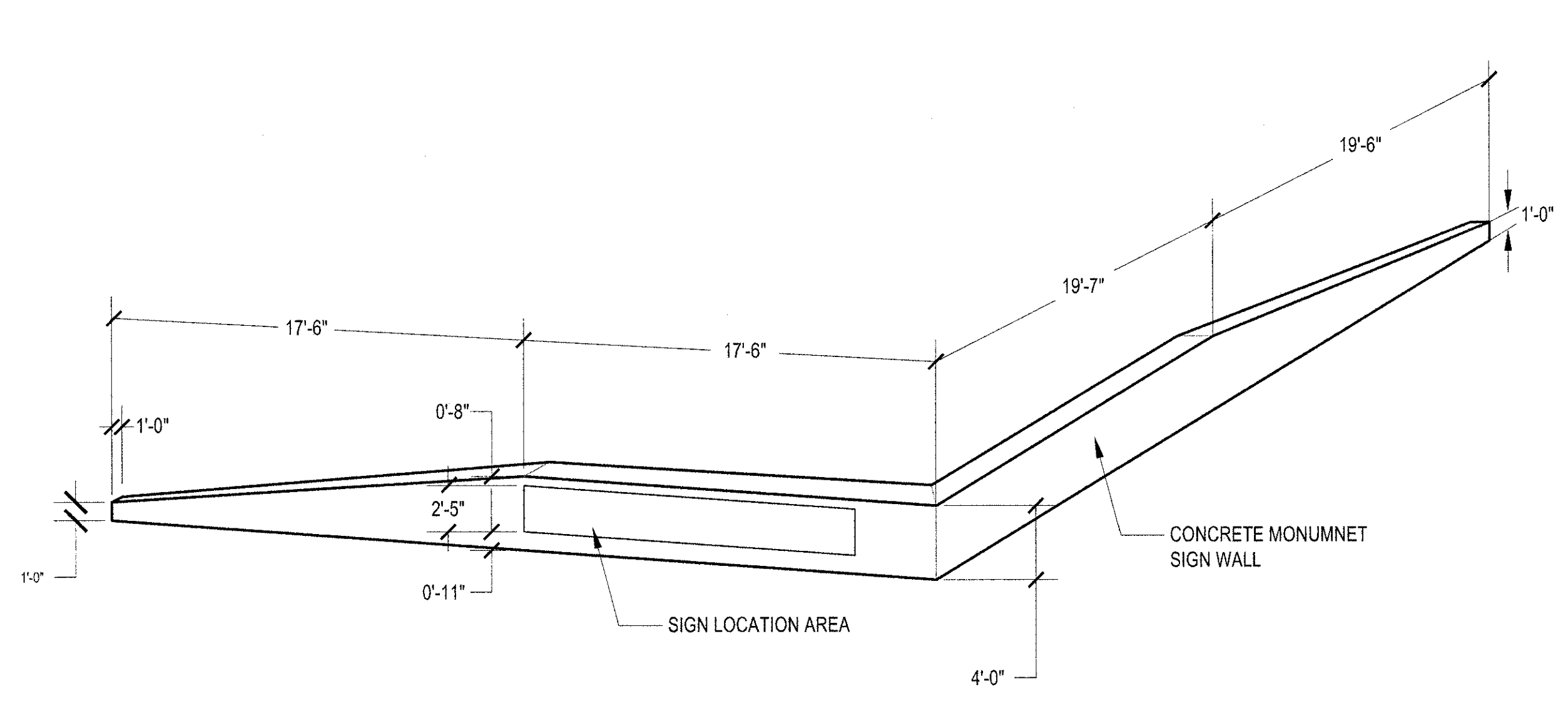


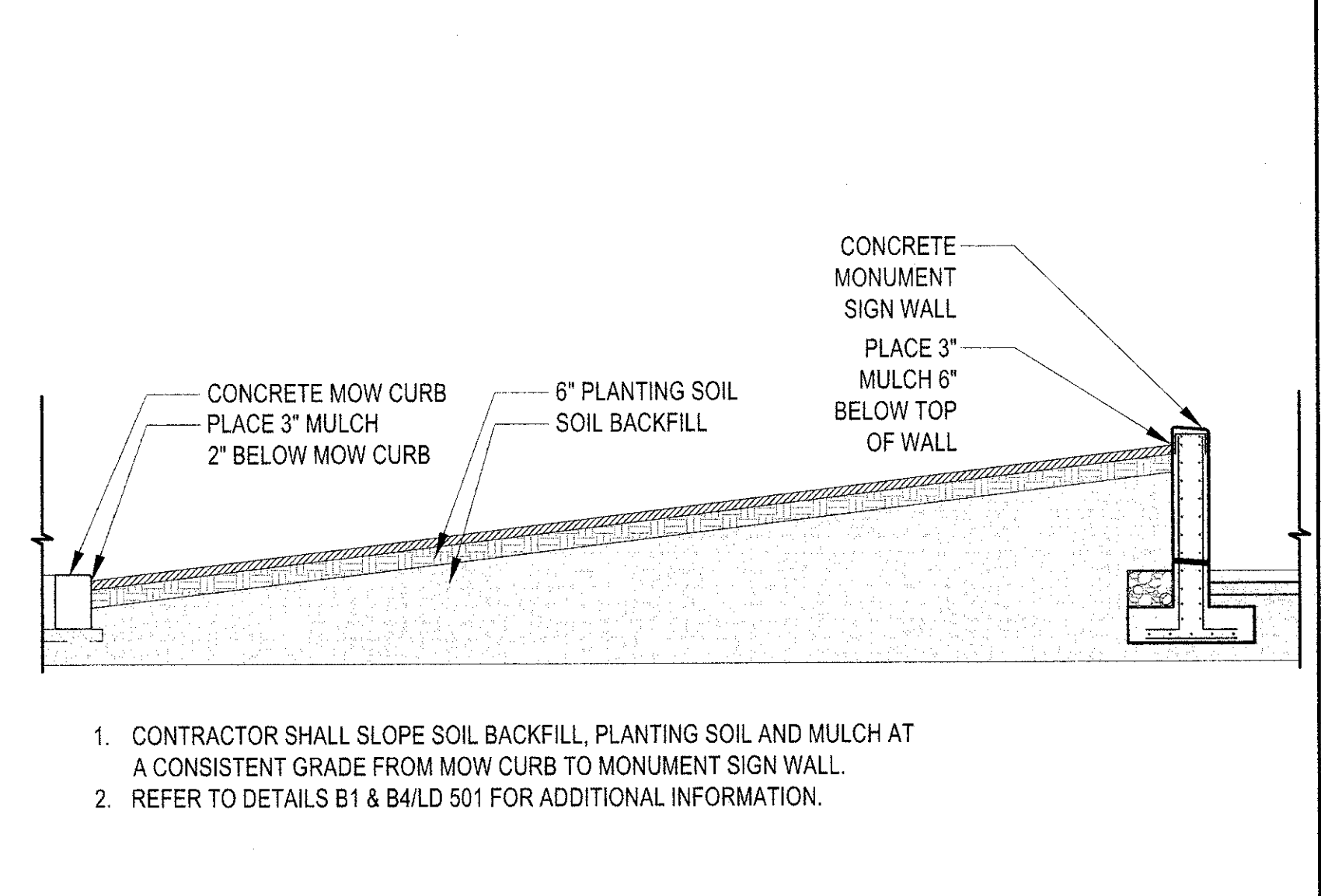
D1 DECIDUOUS TREE PLANTING
 LD 501 NOT TO SCALE



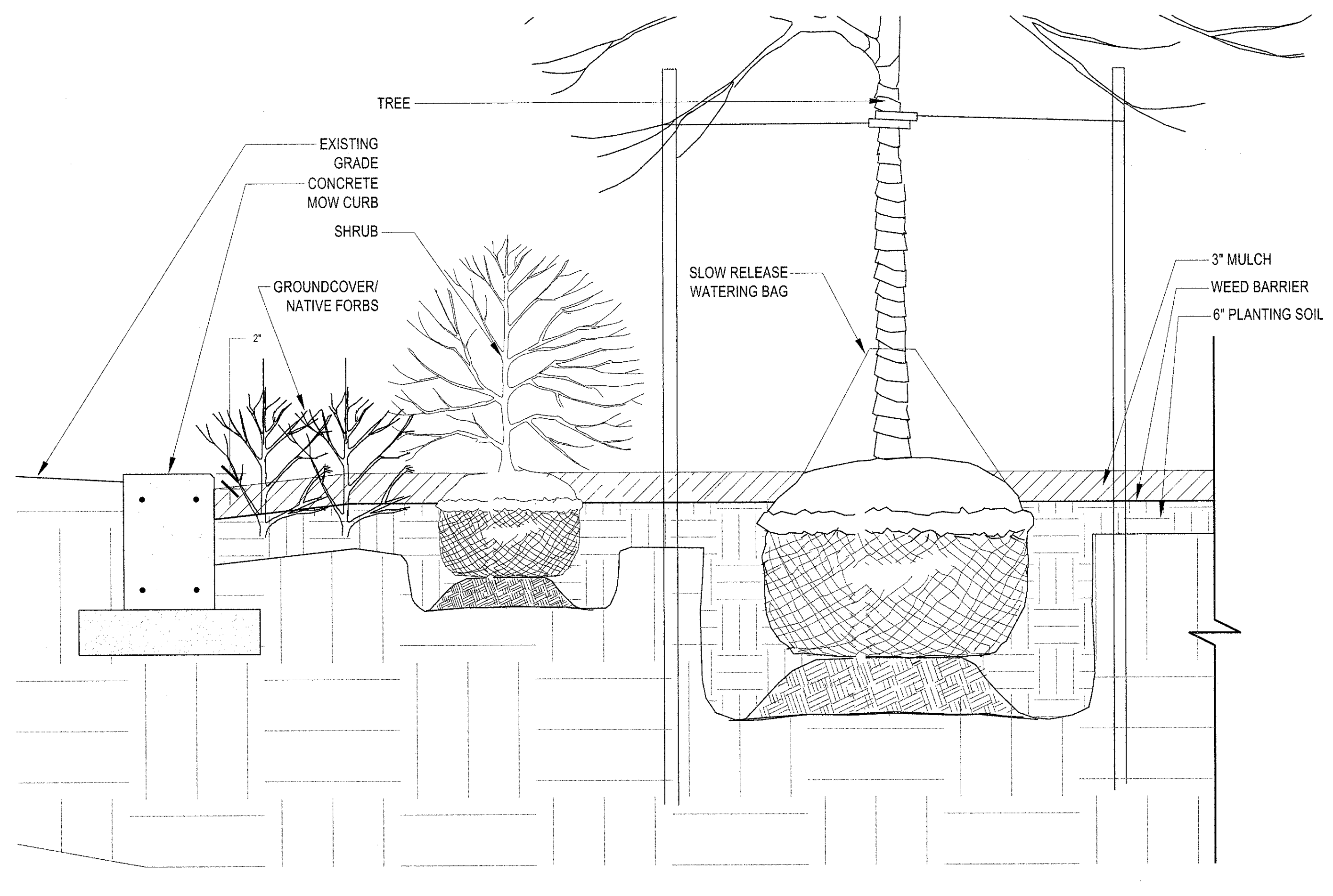
D2 CONCRETE MOW CURB
 LD 501 NOT TO SCALE



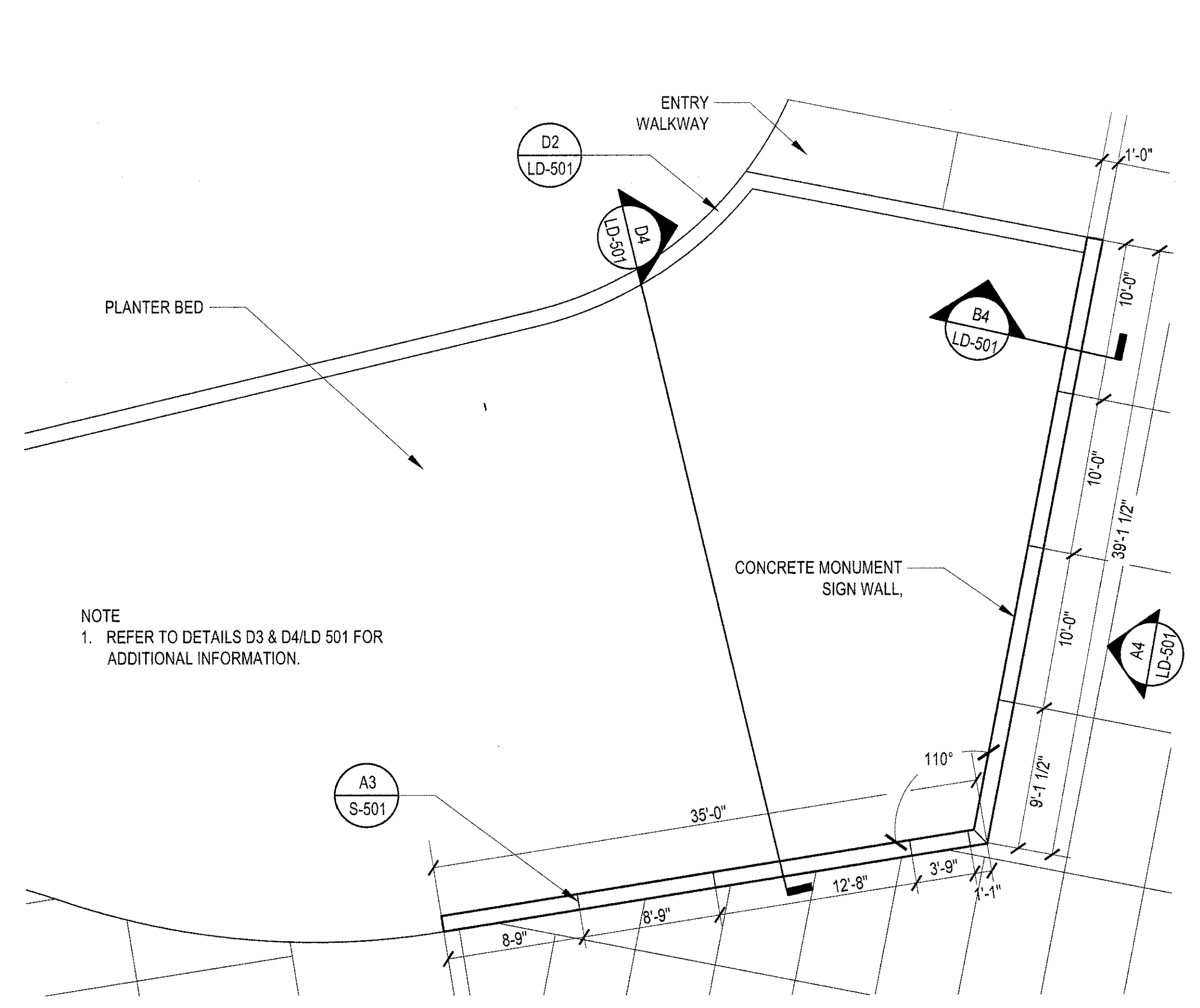
D3 CONCRETE MONUMENT SIGN WALL - AXONOMETRIC VIEW
 LD 501 NOT TO SCALE



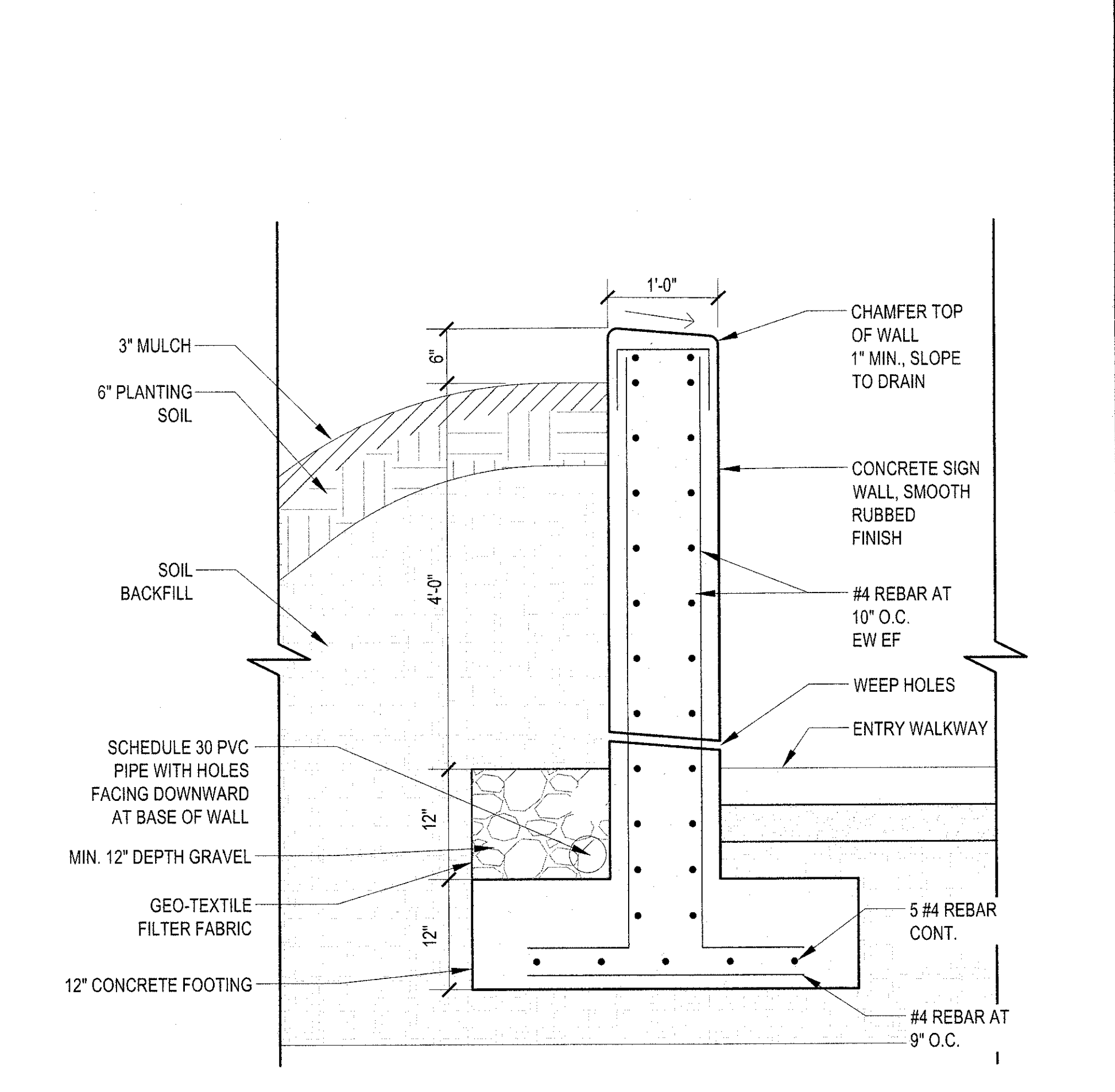
D4 CONCRETE MONUMENT SIGN WALL - PLANTING BED TREATMENT
 LD 501 NOT TO SCALE



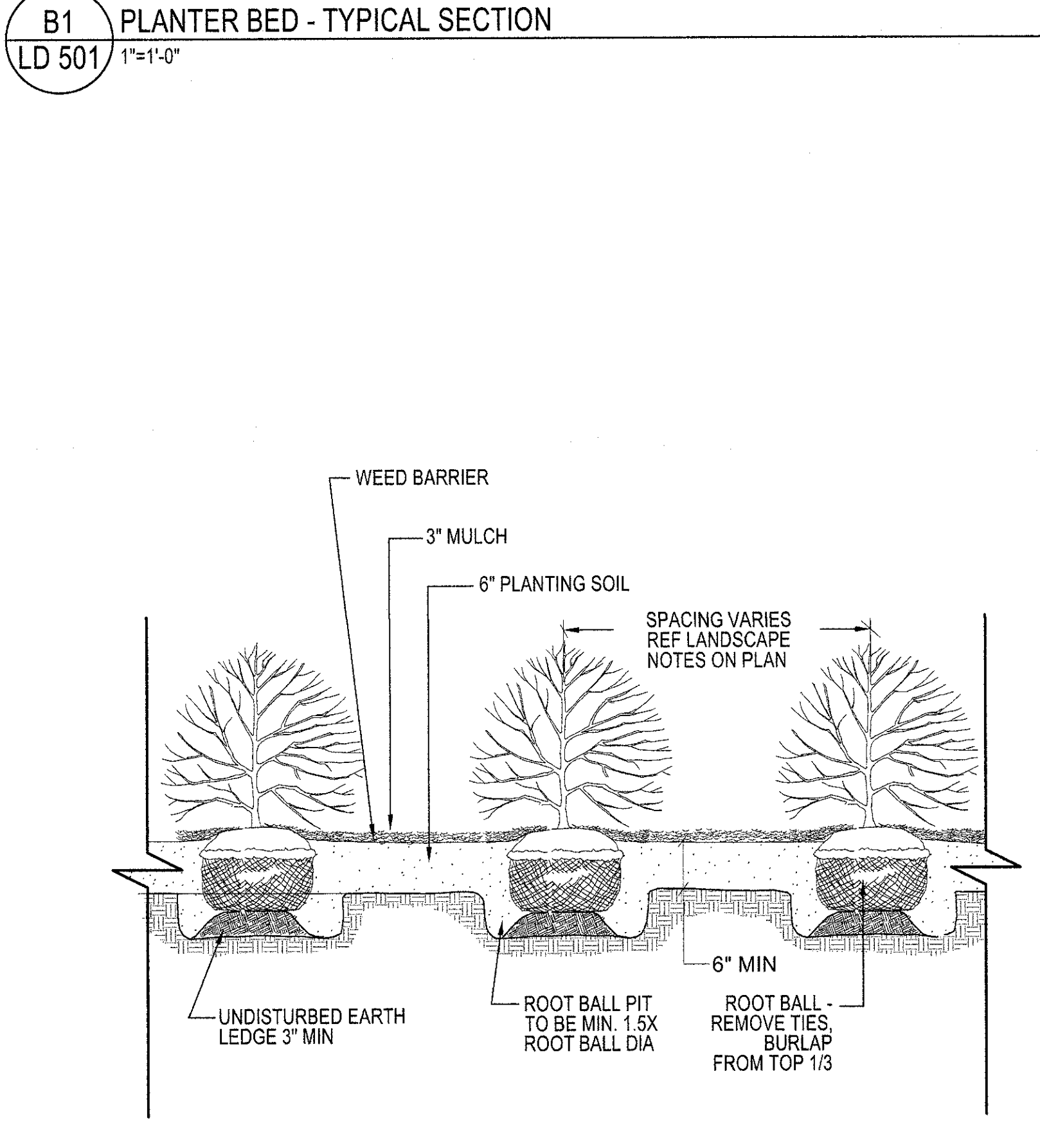
B1 PLANTER BED - TYPICAL SECTION
 LD 501 1\"/>



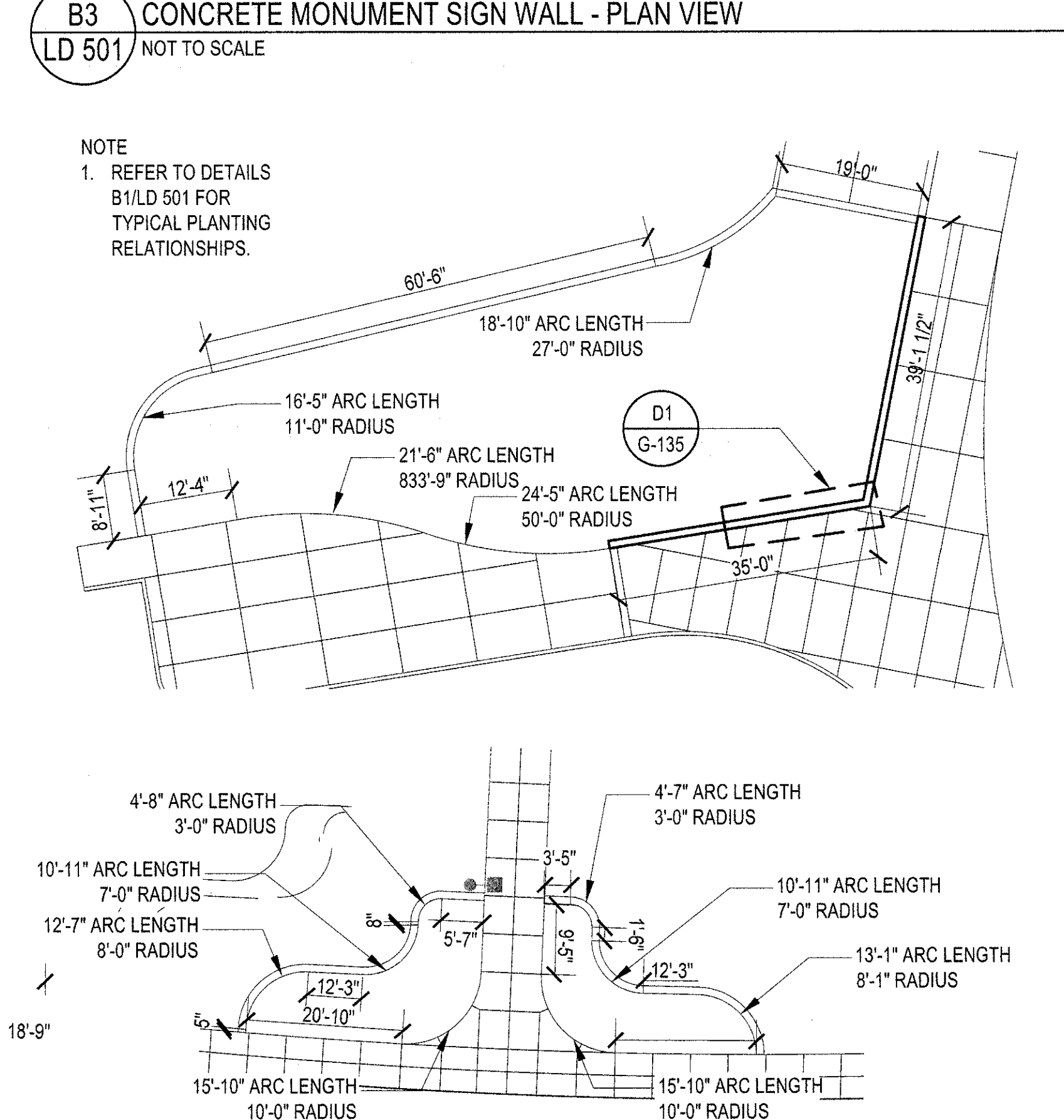
B3 CONCRETE MONUMENT SIGN WALL - PLAN VIEW
 LD 501 NOT TO SCALE



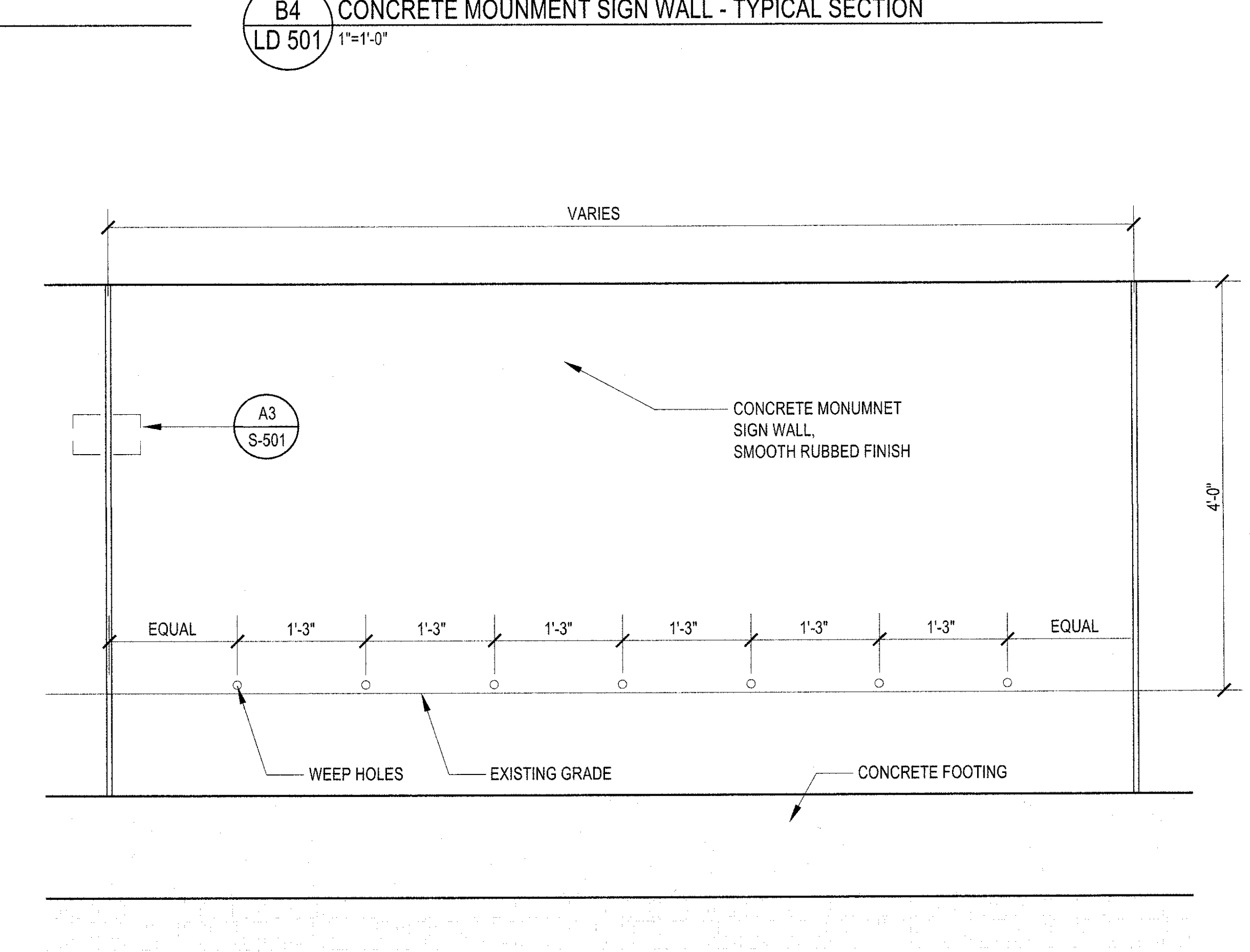
B4 CONCRETE MONUMENT SIGN WALL - TYPICAL SECTION
 LD 501 1\"/>



A1 SHRUB PLANTING
 LD 501 NOT TO SCALE



A3 PLANTER BEDS - LAYOUT DETAIL
 LD 501 NOT TO SCALE

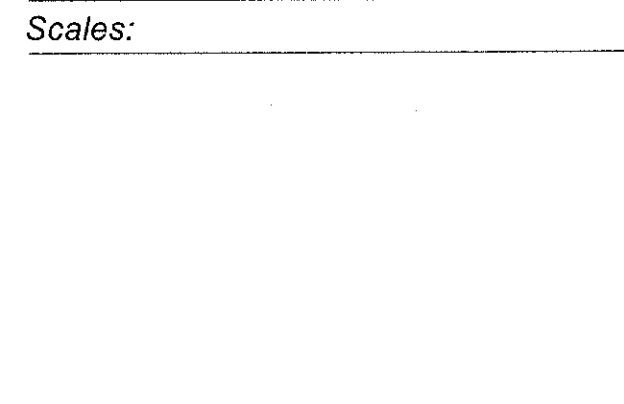
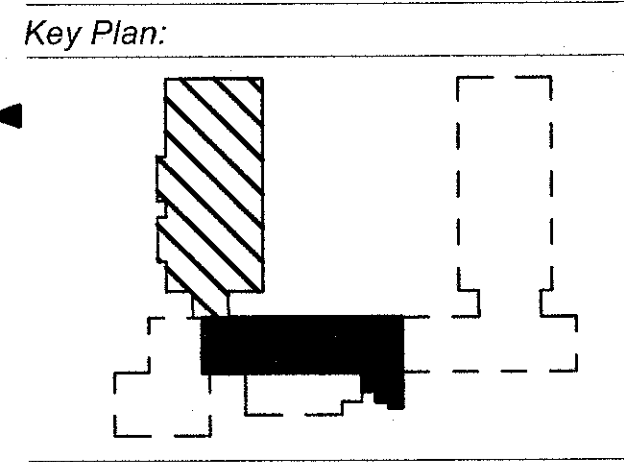


A4 CONCRETE MONUMENT SIGN WALL - TYPICAL ELEVATION
 LD 501 1\"/>



REV	DESCRIPTION	DATE

AVCRAD PHASE 3A ADDITION
 1107th THEATER AVIATION SUSTAINMENT MAINTENANCE GROUP
 MISSOURI ARMY NATIONAL GUARD
 GREENE COUNTY
 SPRINGFIELD, MISSOURI
 CONTRACT NO. T1808-01
 NATIONAL GUARD BUREAU
 NGB PROJECT NO. 290709



Project No.: T1808-01
 Drawing Title: LANDSCAPE DETAILS

JACOBS PROJECT NO. F3W95001
 BIM 360://us-f3w95000-TASMG-ARCH/MORNING TASMG-ARCH-V17.rvt
 2/13/2018 3:18:27 PM