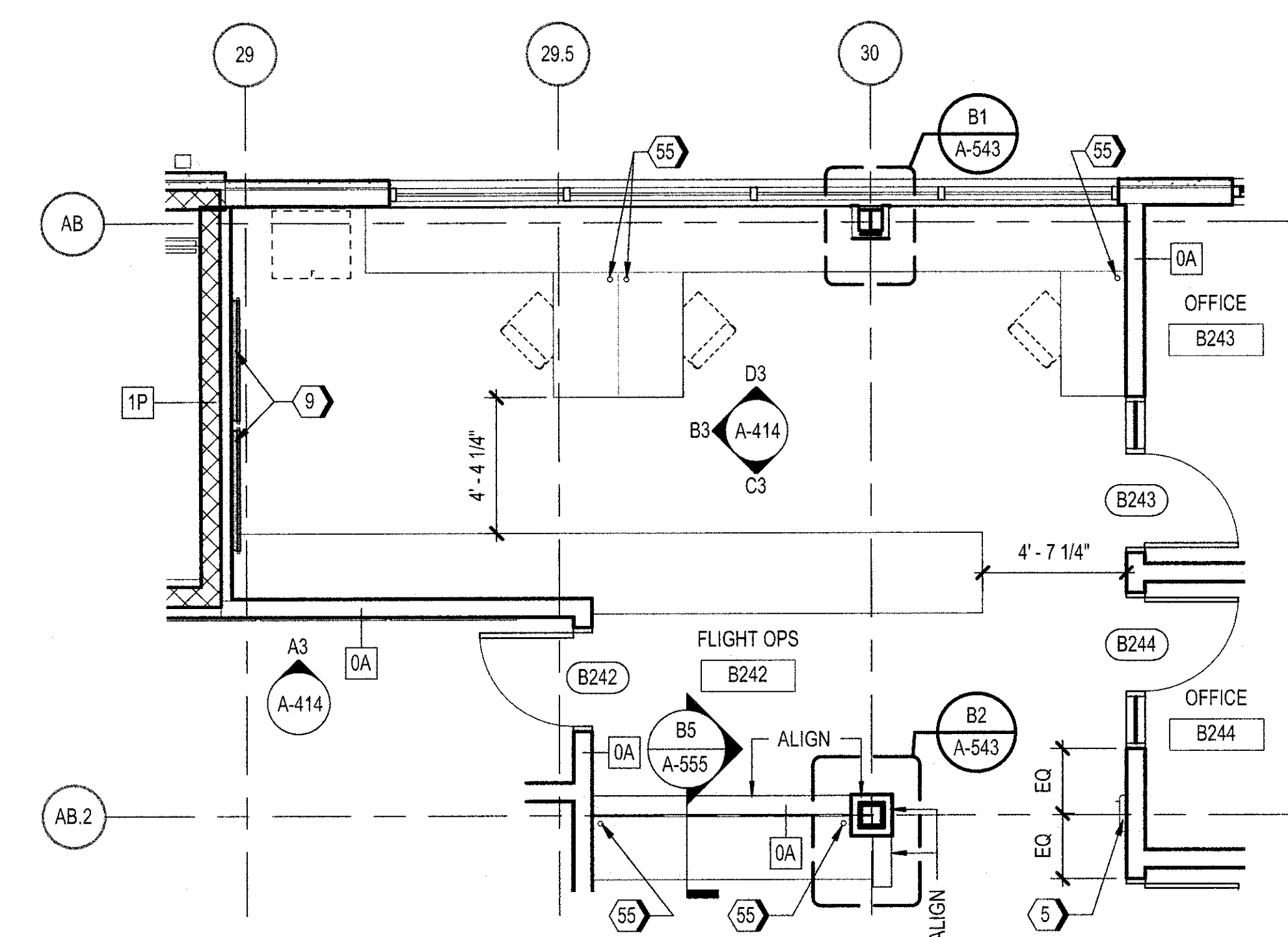
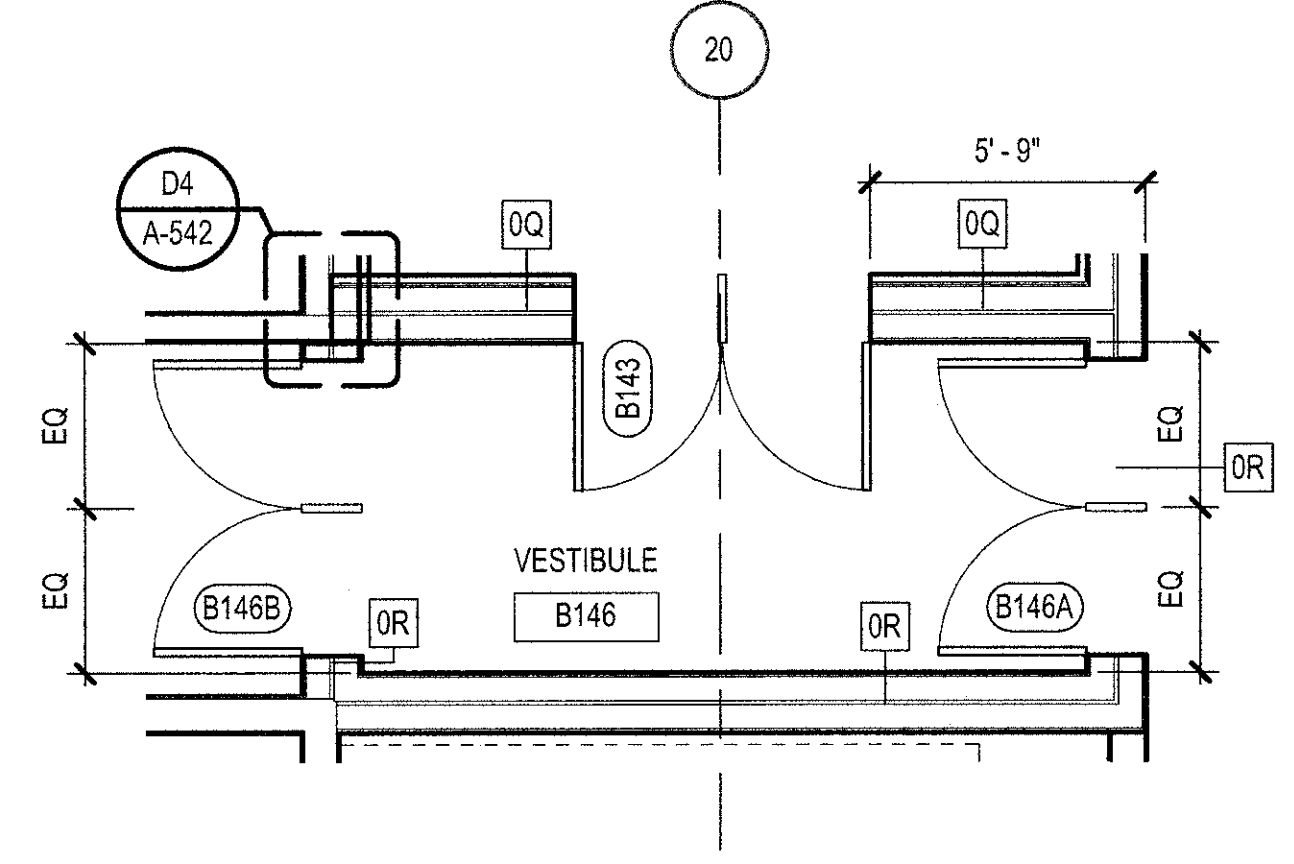


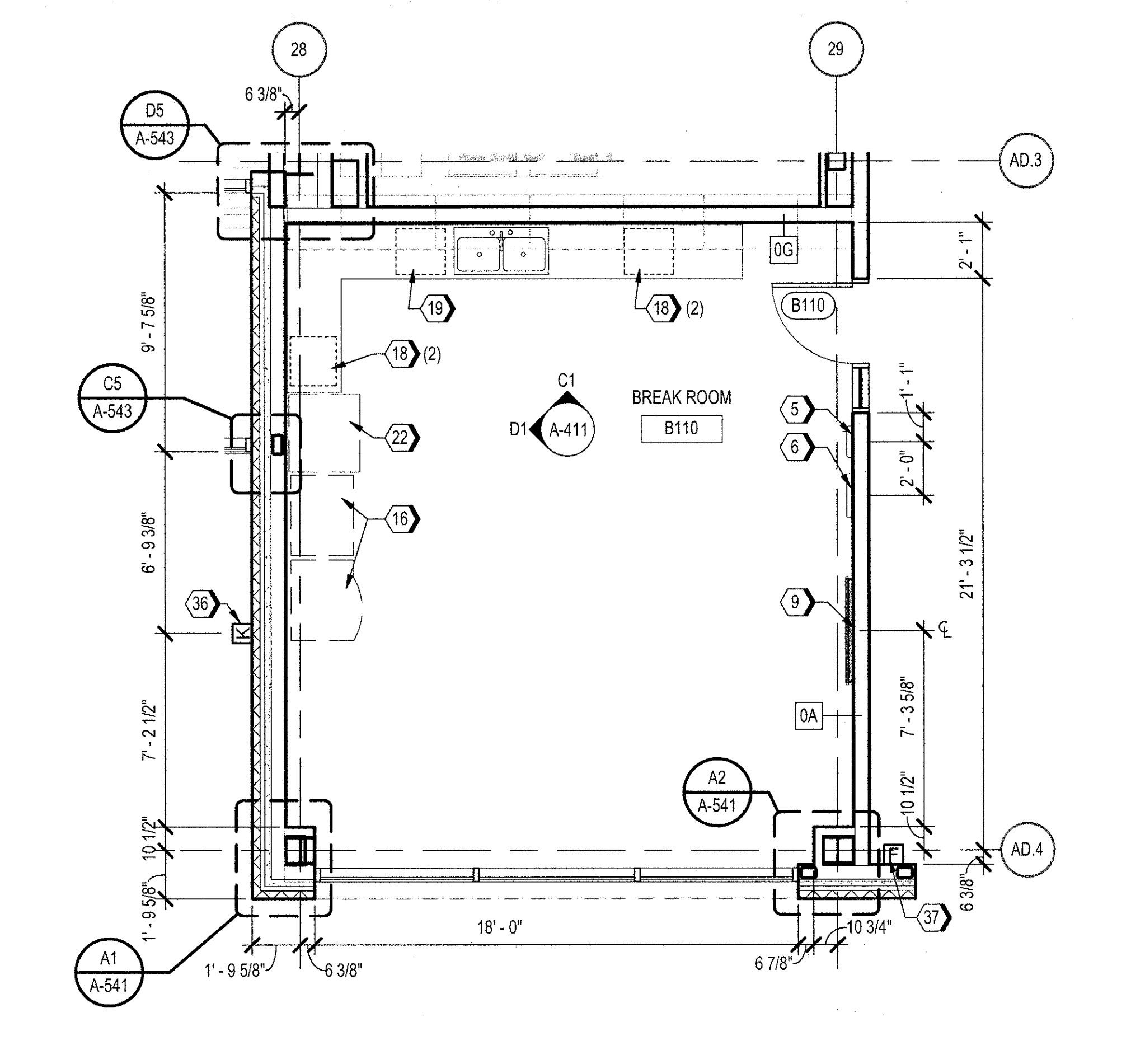
JACOBS PROJECT NO. F3W91001
 BIM 360://us-f3w91000-TASMG-ARCH-ARCHV17.rvt
 7/30/2018 12:00:10 PM



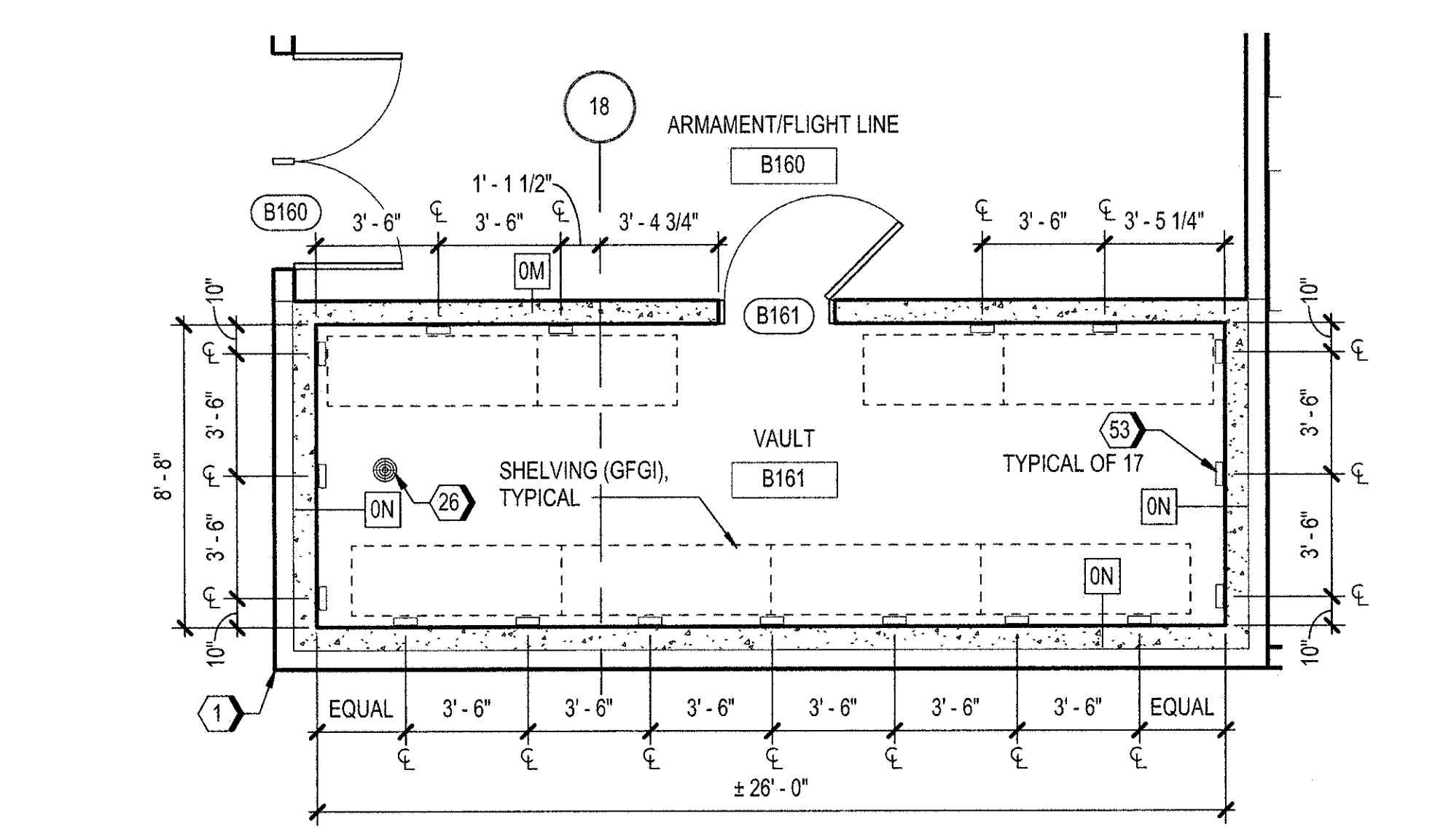
C1 ENLARGED PLAN - B242 - FLIGHT OPS
 1/4" = 1'-0"
 A-106a



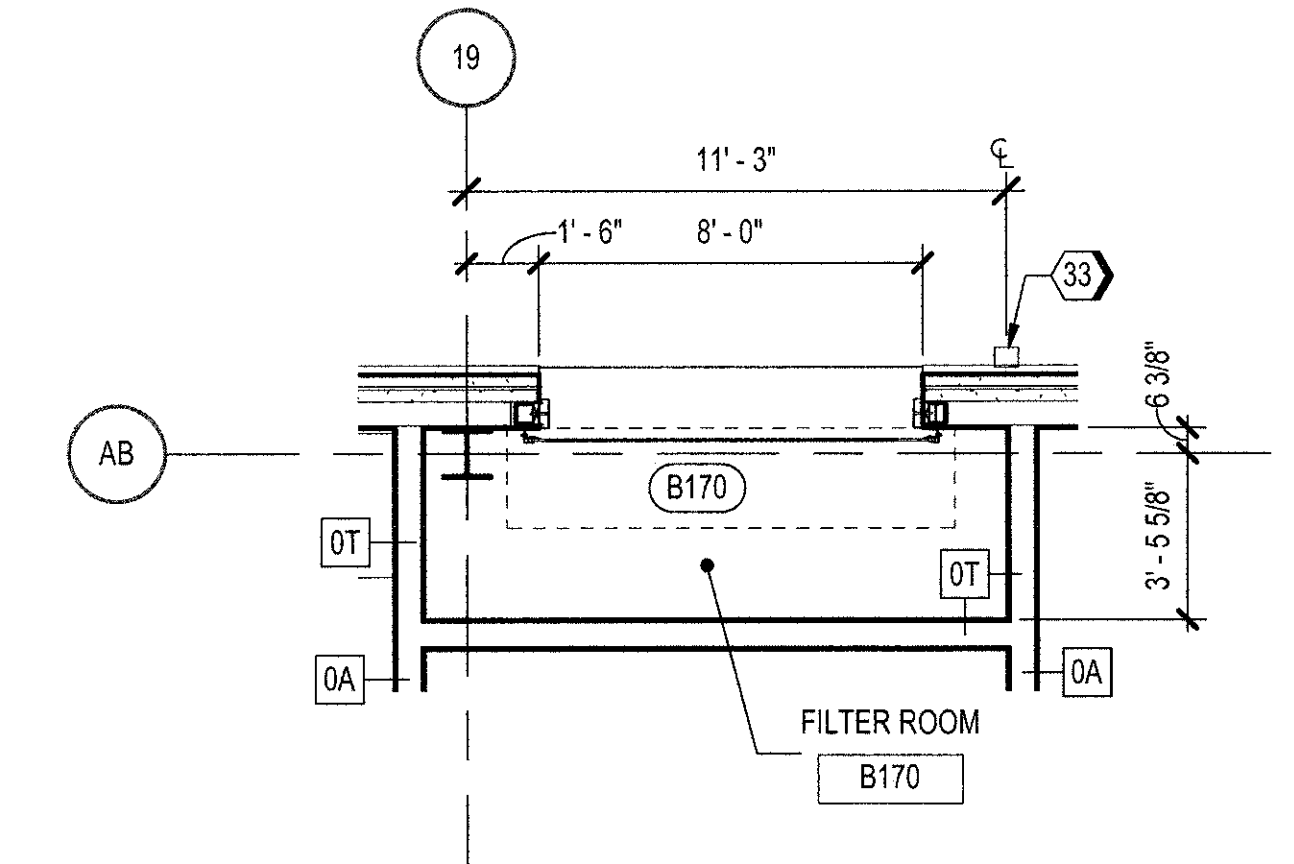
C2 ENLARGED PLAN - B146 - VESTIBULE
 1/4" = 1'-0"
 A-104



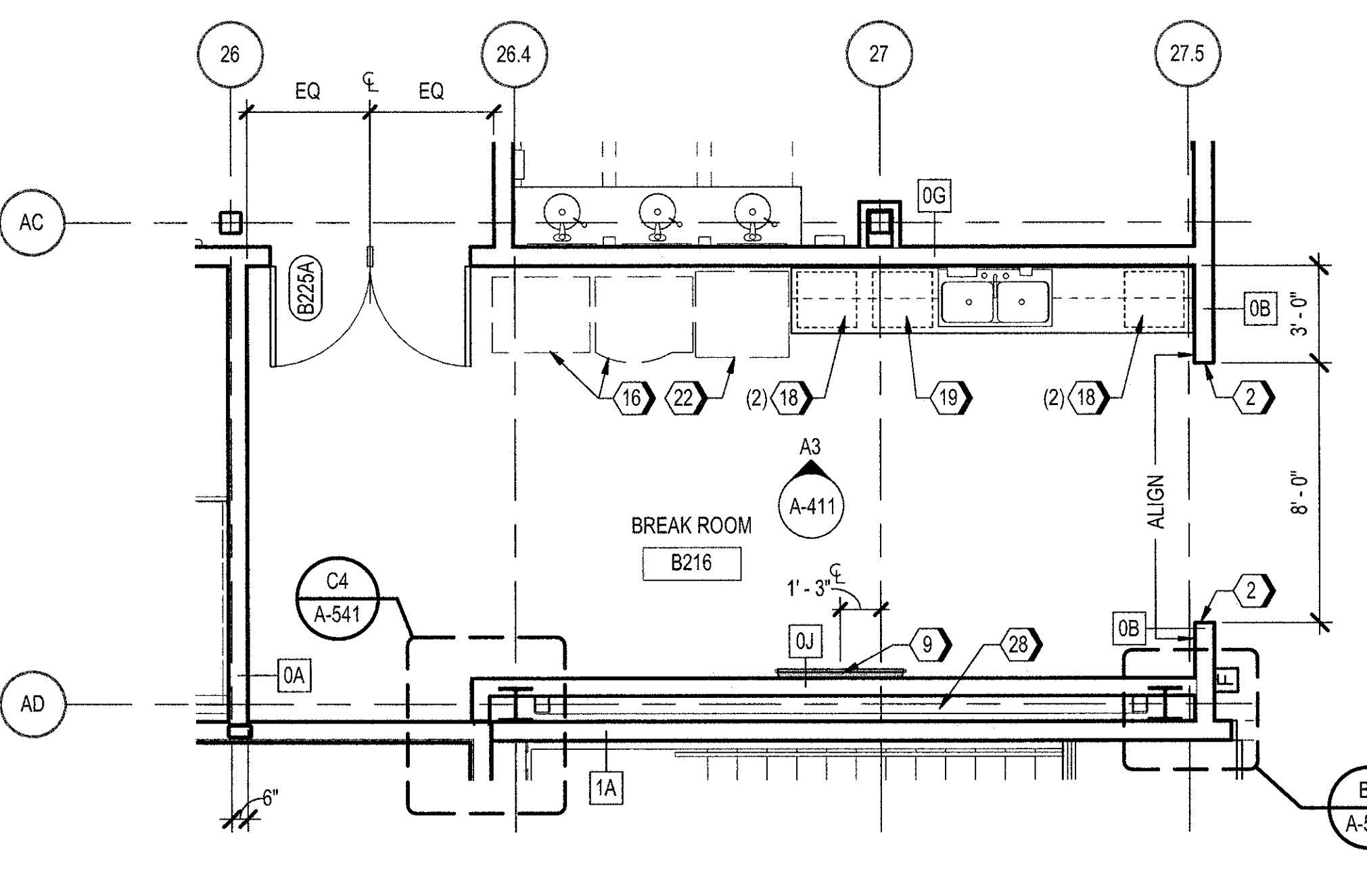
C3 ENLARGED PLAN - B110 - BREAKROOM
 1/4" = 1'-0"
 A-103a



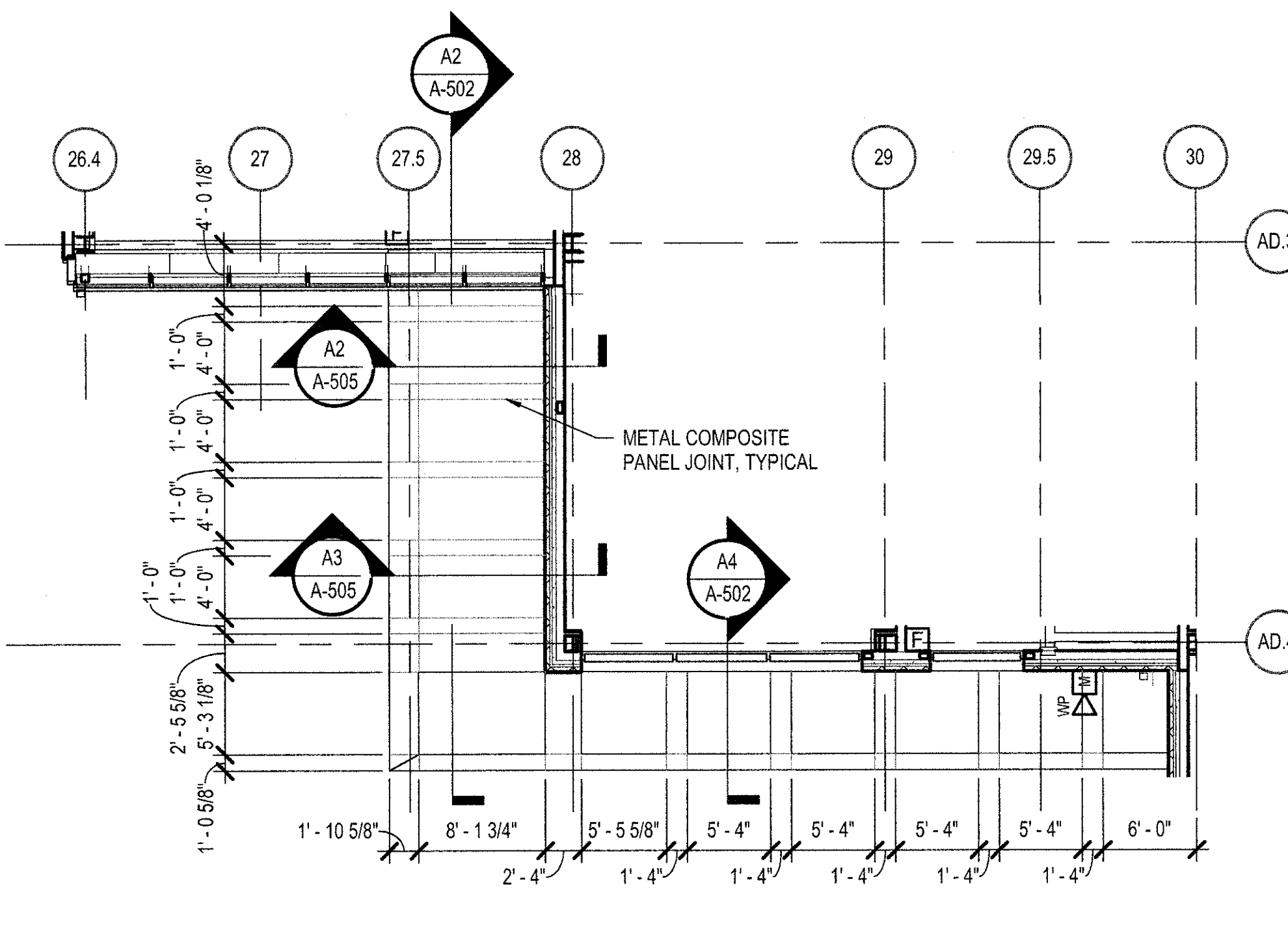
B1 ENLARGED PLAN - B161 - VAULT
 1/4" = 1'-0"
 A-104



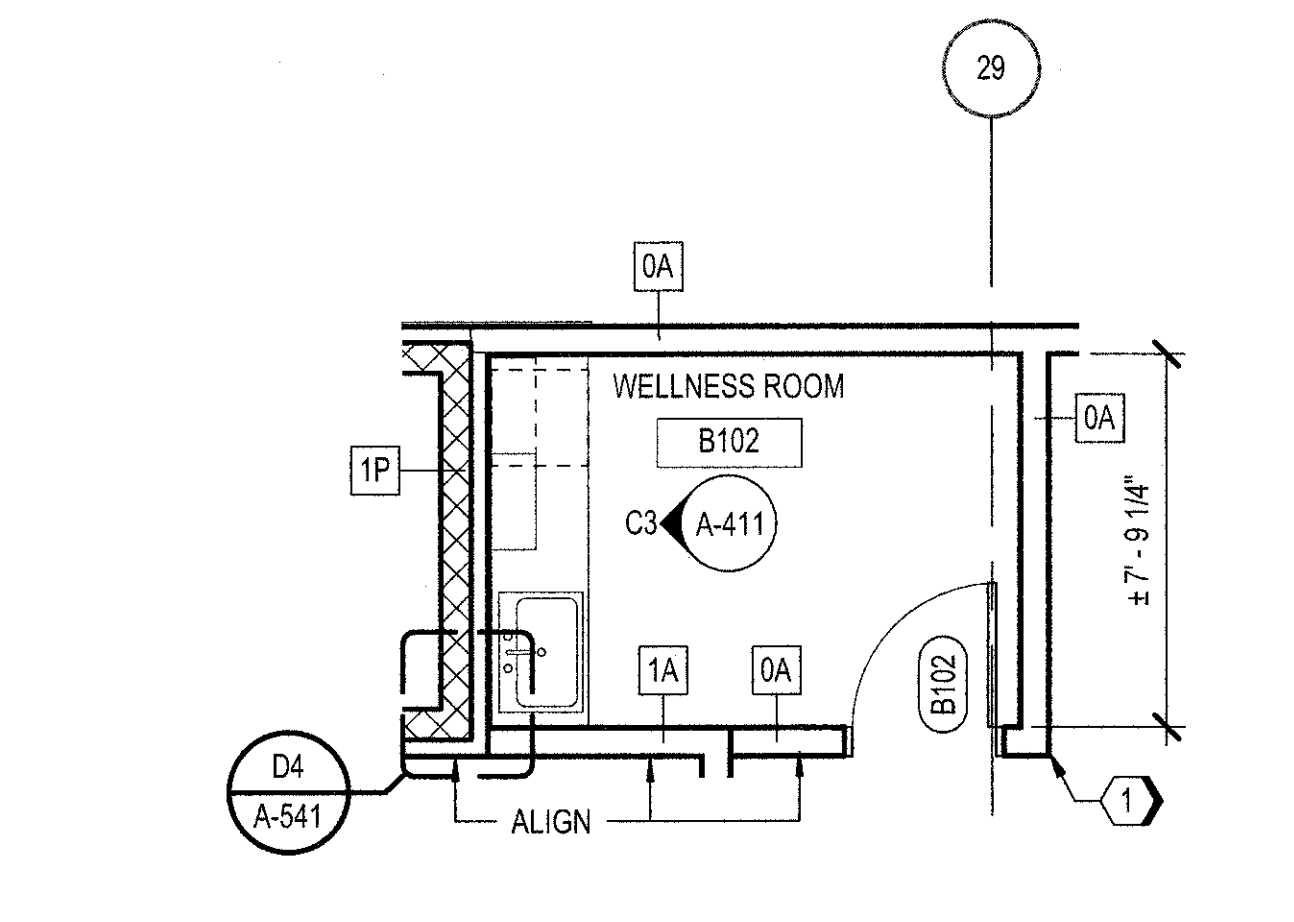
B2 ENLARGED PLAN - B170 - FILTER ROOM
 1/4" = 1'-0"
 A-104



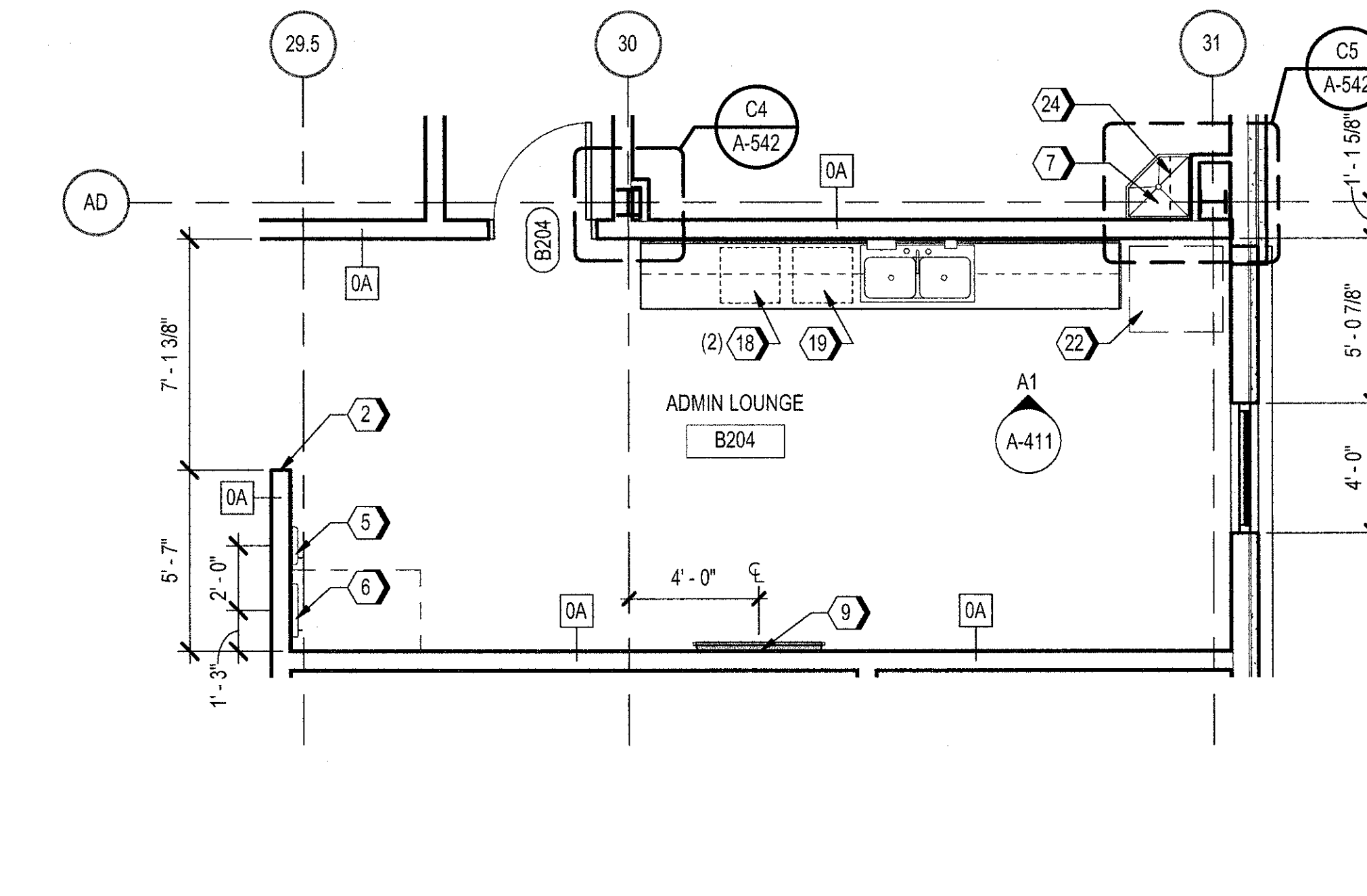
B3 ENLARGED PLAN - B216 - BREAKROOM
 1/4" = 1'-0"
 A-106a



A1 ENLARGED ROOF PLAN - ENTRANCE CANOPY
 1/8" = 1'-0"
 A-113



A2 ENLARGED PLAN - B102 - WELLNESS ROOM
 1/4" = 1'-0"
 A-103a



A3 ENLARGED PLAN - B204 - ADMIN LOUNGE
 1/4" = 1'-0"
 A-106a

ENLARGED FLOOR PLAN KEYED NOTES

- NOTE: NOT ALL KEYED NOTES MAY APPEAR ON EACH DRAWING
- 1 CORNER GUARD WALL PROTECTION - REFER TO A5/A-553
 - 2 END WALL GUARD - REFER TO B5/A-553
 - 3 DRINKING FOUNTAIN - REFER TO PLUMBING
 - 4 FIRE EXTINGUISHER ON WALL BRACKET CONTRACTOR SHALL PROVIDE WOOD BLOCKING - REFER TO A5/A-704, PROVIDE SIGN
 - 5 FIRE EXTINGUISHER IN SEMI-RECESSED FIRE PROTECTION CABINET - REFER TO B2/A-553, PROVIDE SIGN
 - 6 AUTOMATIC EXTERNAL DEFIBRILLATOR IN DEFIBRILLATOR CABINET, SEMI-RECESSED - REFER TO D1/A-552 AND D2/A-552
 - 7 MOP SINK - REFER TO A4/A-553
 - 8 BOLLARD - REFER TO A3/A-532
 - 9 PROVIDE WOOD BLOCKING IN PARTITION FOR AV MONITOR (GFCI) AS REQUIRED. COORDINATE LOCATIONS IN FIELD WITH MOARNG. REFER TO ELECTRICAL AND TELECOM. FOR MOUNTING HEIGHT REFER TO D4/A-421
 - 10 PAINTED FLOOR STRIPING - REFER TO D1/A-553
 - 11 METAL LOCKER (TYPE 1) - REFER TO B3/A-558
 - 12 METAL LOCKER (TYPE 2) - REFER TO A3/A-558
 - 13 ORNAMENTAL GUARD RAIL - REFER TO C2/A-557
 - 14 EMERGENCY EYEWASH STATION. REFER TO PLUMBING. PAINT FLOOR - REFER TO D5/A-553
 - 15 ACCESSIBLE CHANGING BENCH (22"D x 42"L) - REFER TO C3/A-553
 - 16 VENDING MACHINE (GFGI)
 - 17 VERTICAL GYPSUM BOARD CONTROL JOINT - REFER TO C1/A-703
 - 18 MICROWAVE (GFGI)
 - 19 COFFEE MAKER (GFGI) - REFER TO PLUMBING FOR WATER LINE
 - 20 FOLDING PANEL PARTITION - REFER TO A1/A-552
 - 21 4'-0" X 4'-0" VISUAL DISPLAY UNIT (TB-1) - REFER TO D3/A-552
 - 22 REFRIGERATOR (GFGI)
 - 23 COPY MACHINE (GFGI)
 - 24 UTILITY SHELF (US)
 - 25 PAINT 4" WIDE LINE ON FLOOR (SAFETY YELLOW)
 - 26 FLOOR DRAIN - REFER TO PLUMBING
 - 27 FLOOR CLEAN OUT - REFER TO PLUMBING
 - 28 STEEL BRACING - REFER TO STRUCTURAL
 - 29 CYLINDER STORAGE RESTRAINTS - REFER TO C3/A-552
 - 30 PAPER SHREDDER (GFGI)
 - 31 LOCKER BENCH - REFER TO B3/A-558
 - 32 MARBLE THRESHOLD - REFER TO A4/A-552
 - 33 DOWNSPOUT
 - 34 EQUIPMENT PLATFORM ABOVE, SHOWN DASHED
 - 35 8'-0" PARTITION MOUNTED COAT RACK. PROVIDE WOOD BLOCKING AS REQUIRED - REFER TO D5/A-552
 - 36 KNOX BOX - REFER TO FIRE PROTECTION
 - 37 FIRE PROTECTION EQUIPMENT - REFER TO FIRE ALARM
 - 38 CRANE HOIST ABOVE SHOWN DASHED - REFER TO EQUIPMENT DRAWINGS
 - 39 BRACE THROUGH PARTITION - REFER TO D4/A-704
 - 40 EQUIPMENT PLATFORM GUARD RAIL - REFER TO D5/A-557
 - 41 EQUIPMENT PLATFORM REMOVABLE GUARD RAIL - REFER TO D3/A-557
 - 42 CANOPY ABOVE SHOWN DASHED - REFER TO C2/A-511
 - 43 ROOF ACCESS LADDER - REFER TO A2/A-557
 - 44 4'-0" X 4'-0" VISUAL DISPLAY UNIT (MARKER BOARD) - REFER TO D3/A-552 FOR MOUNTING HEIGHT
 - 45 EMERGENCY SHOWER/EYEWASH STATION. REFER TO PLUMBING. PAINT FLOOR - REFER TO D5/A-553
 - 46 2" PREFORMED JOINT SEAL - BOTH SIDES
 - 47 BEAM GUARDRAIL - REFER TO C4/A-532
 - 48 FULL LENGTH MIRROR - REFER TO A1/A-421
 - 49 TACTILE WARNING IN CONCRETE SLAB ON GRADE - REFER TO D3/A-558
 - 50 STAINLESS STEEL SINK AND SIDEBOARD - REFER TO PLUMBING
 - 51 VISUAL DISPLAY UNIT (TB-2) - REFER TO D3/A-552
 - 52 16" DEEP VENTILATED WIRE SHELVING AT 5'-10" ABOVE FINISH FLOOR. PROVIDE WOOD BLOCKING AS REQUIRED FOR COMPLETE ANCHORAGE
 - 53 CHAIN RESTRAINT - REFER TO C4/A-552
 - 54 WALK-OFF CARPET (CPT-3) - REFER TO ROOM FINISH SCHEDULE AND INTERIORS FOR ADDITIONAL LOCATIONS
 - 55 GROMMET - REFER TO B4/A-555. COORDINATE LOCATION WITH MOARNG DURING SUBMITTAL PROCESS

JACOBS
 501 North Broadway, Saint Louis, Missouri 63102
 TEL: 314.335.4000
 JACOBS ENGINEERING GROUP, INC.
 Missouri State Certificate of Authority #000704
 Consultant - Civil
 MILLENNIA PROFESSIONAL SERVICES OF ILLINOIS, LTD
 11 Executive Drive, Suite 12
 Fairview Heights, Illinois, 62208
 Tel: 618-924-8810
 Missouri State Certificate of Authority #2012009247

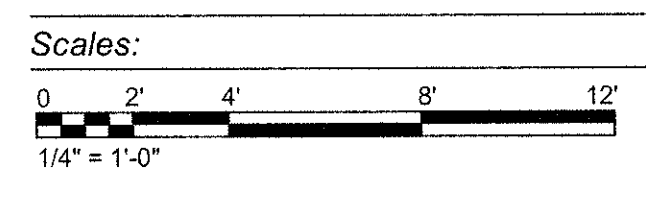
Robert A. Messel, AIA
 Architect
 MO# A-3930

REV	DESCRIPTION	DATE

AVCRAD PHASE 3A ADDITION
 1107th THEATER AVIATION SUSTAINMENT MAINTENANCE GROUP

MISSOURI ARMY NATIONAL GUARD
 GREENE COUNTY
 SPRINGFIELD, MISSOURI
 CONTRACT NO. T1808-01

NATIONAL GUARD BUREAU
 NGB PROJECT NO. 290109



Project No.: T1808-01
 Drawing Title: ARCHITECTURAL ENLARGED FLOOR PLANS
 Date: 29 JUNE 2018
 Designed: AT
 Drawn: NF
 Checked: RY
 Drawing No.: A-401
 130 of 322