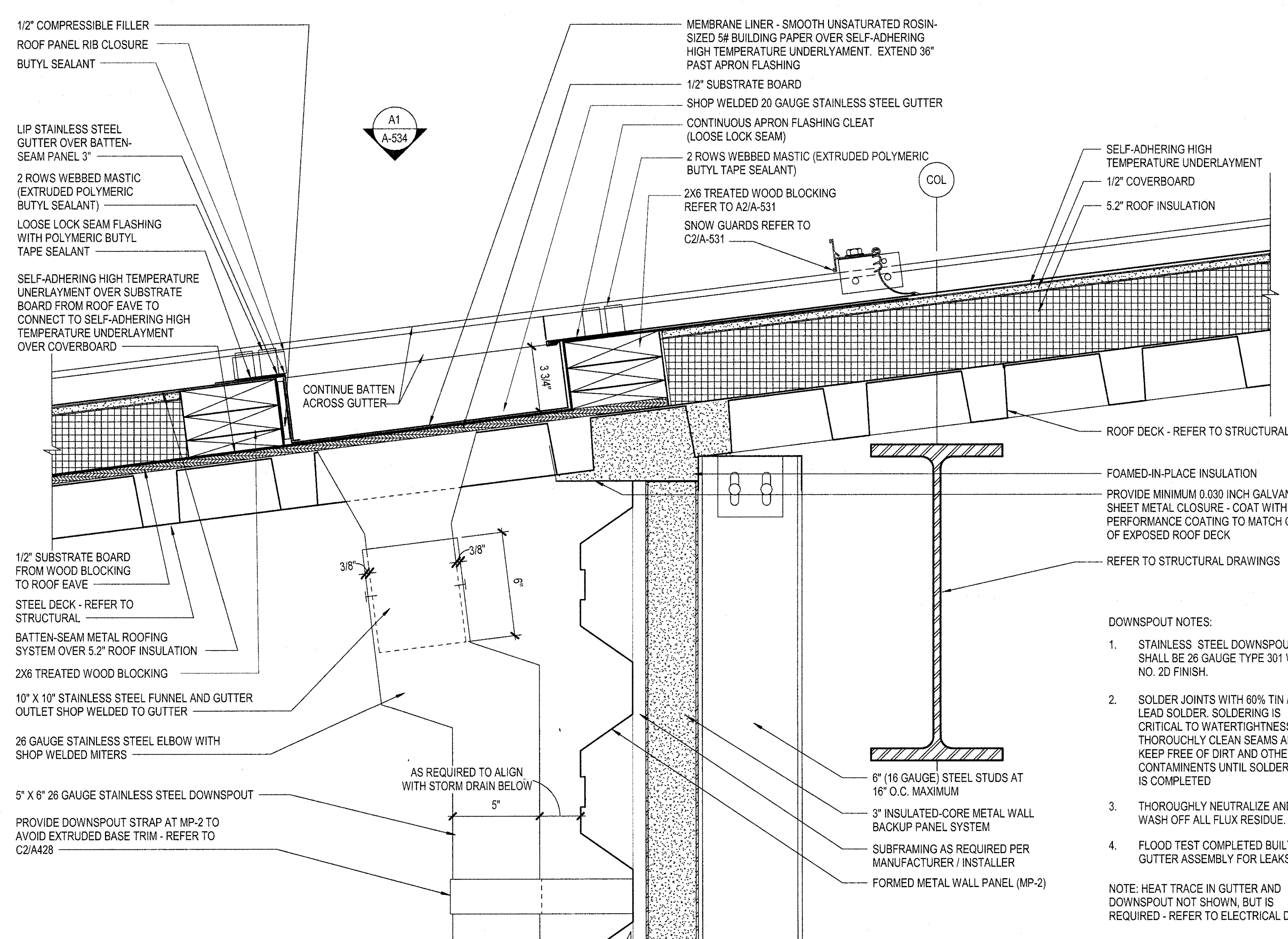


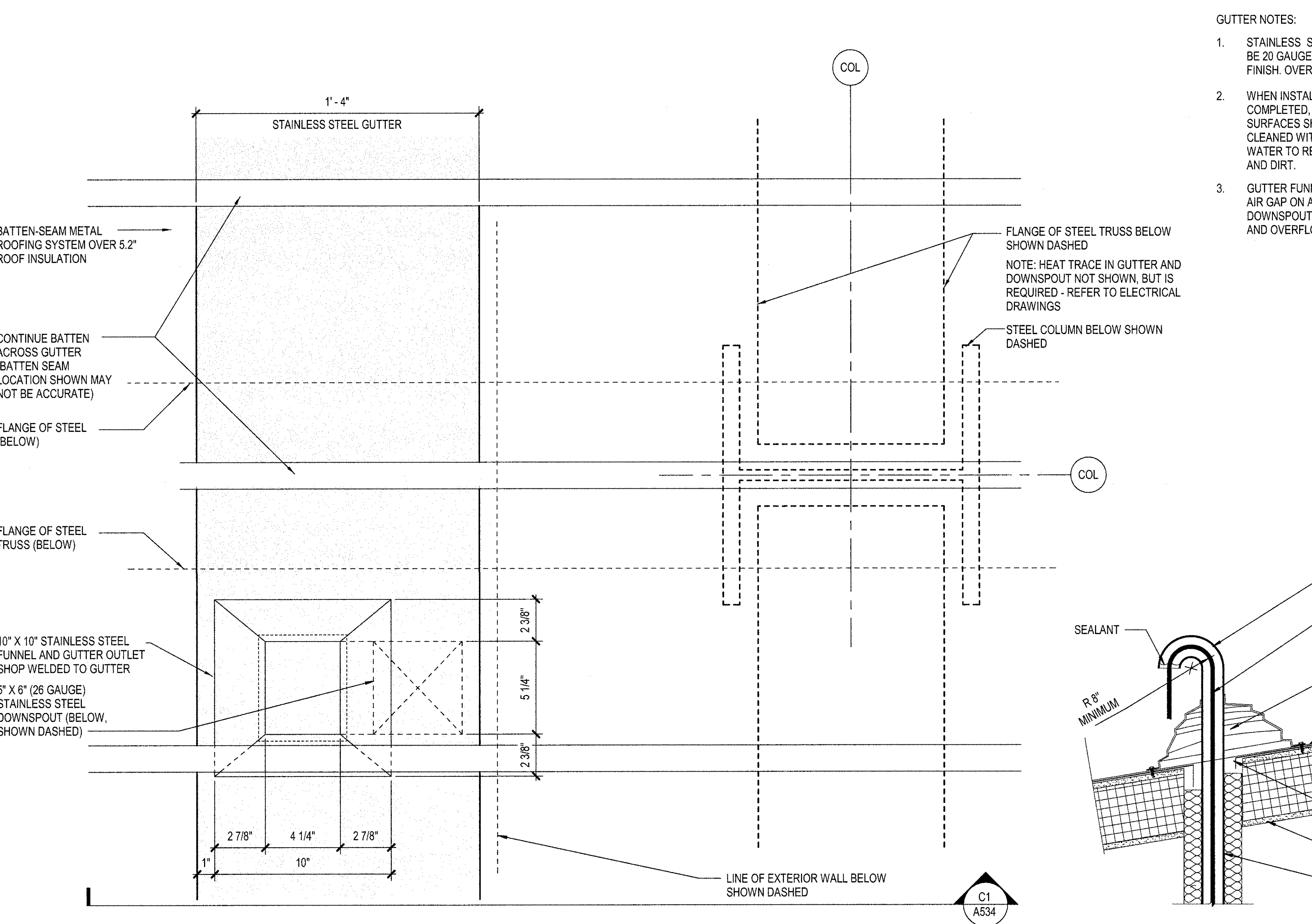
REV DESCRIPTION DATE

REV	DESCRIPTION	DATE

AVCRAD PHASE 3A ADDITION
 1107th THEATER AVIATION SUSTAINMENT MAINTENANCE GROUP
 MISSOURI ARMY NATIONAL GUARD
 GREENE COUNTY
 SPRINGFIELD, MISSOURI
 CONTRACT NO. T1808-01
 NATIONAL GUARD BUREAU
 NGB PROJECT NO. 290109

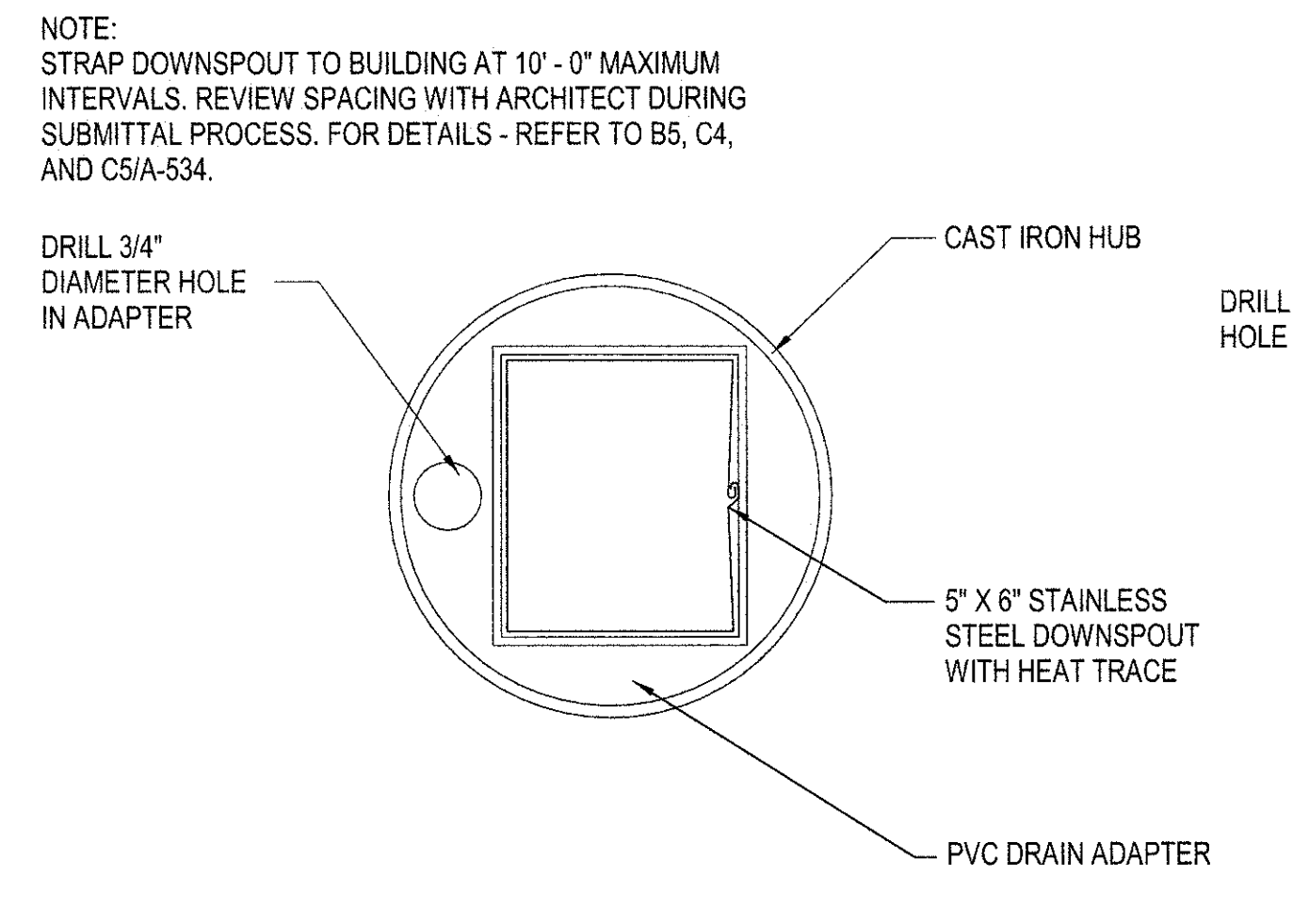


C1 BUILT-IN GUTTER DETAIL (BATTEN-SEAM)
3" = 1'-0"

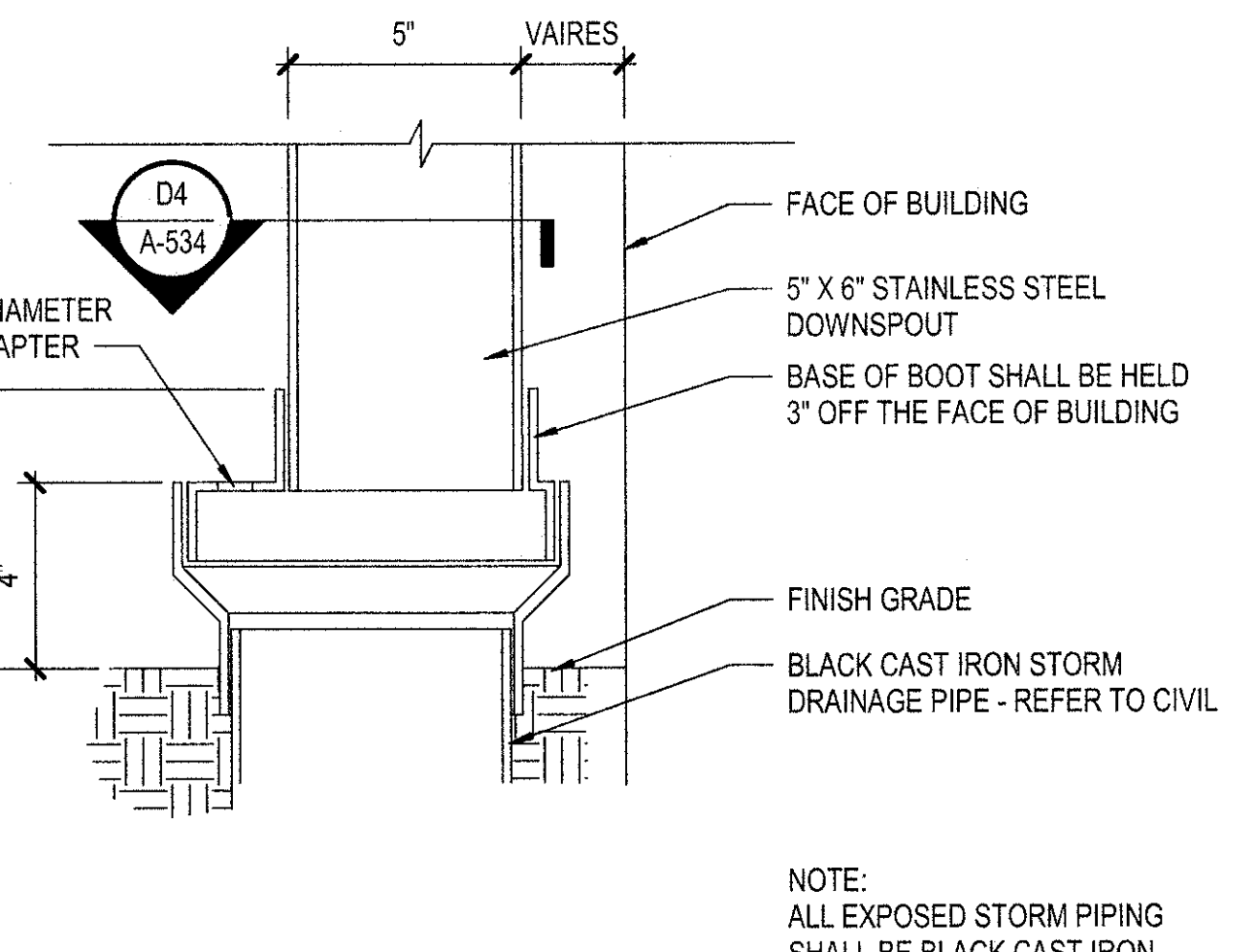


A1 BUILT-IN GUTTER PLAN DETAIL
3" = 1'-0"

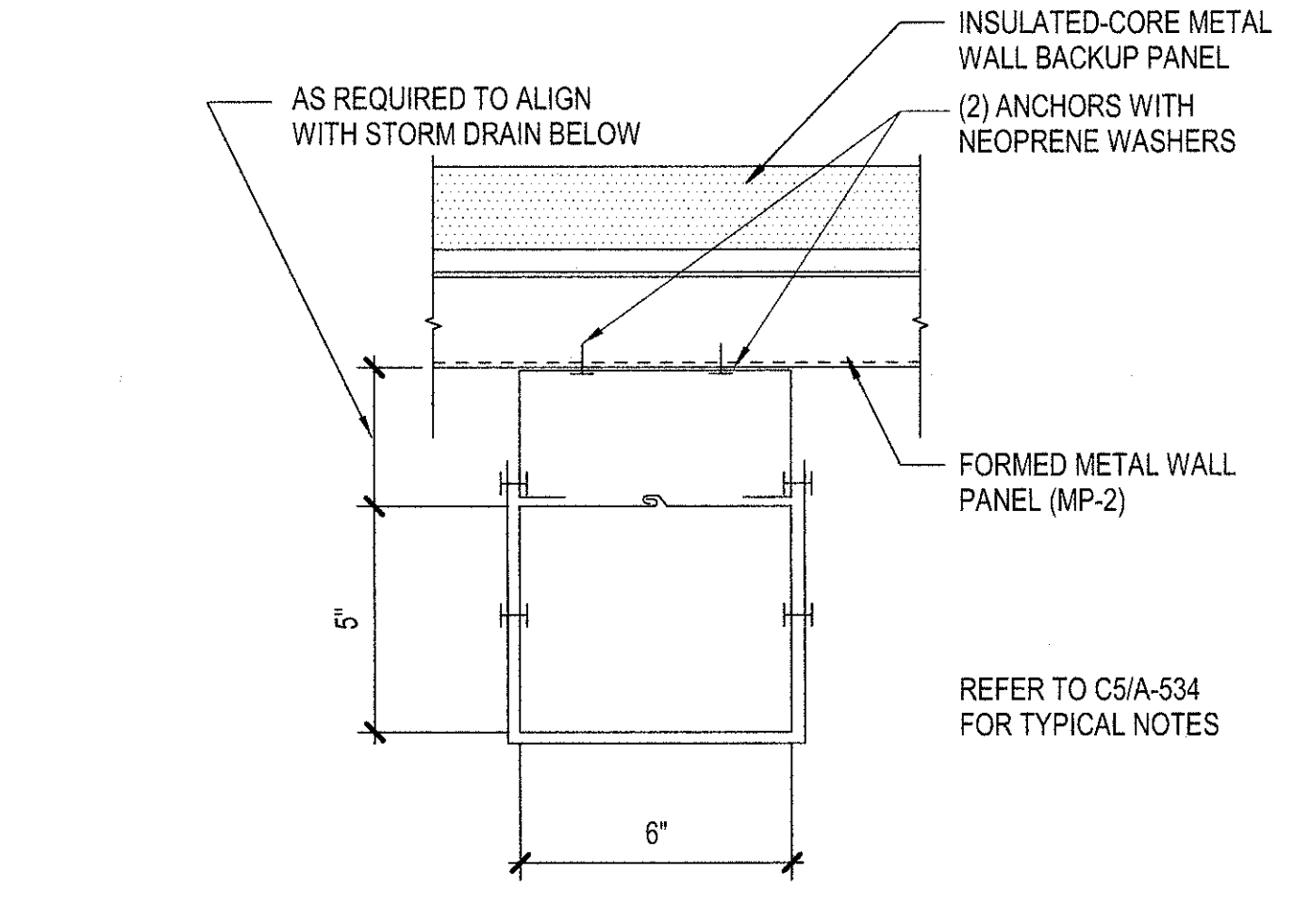
A3 CABLE PENETRATION DETAIL (PVC ROOF)
6" = 1'-0"



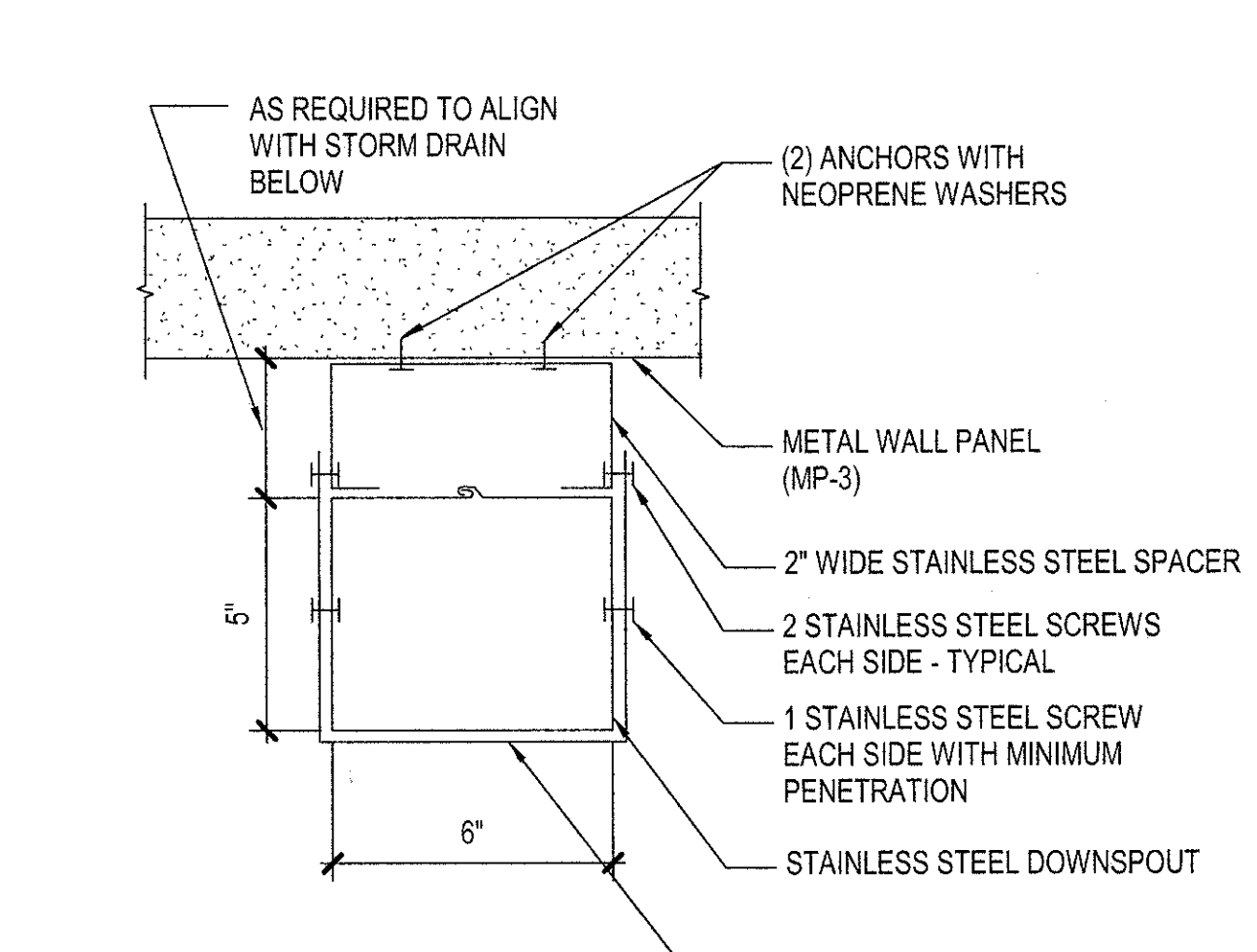
D4 DOWNSPOUT TO BOOT DETAIL
NOT TO SCALE
A-534



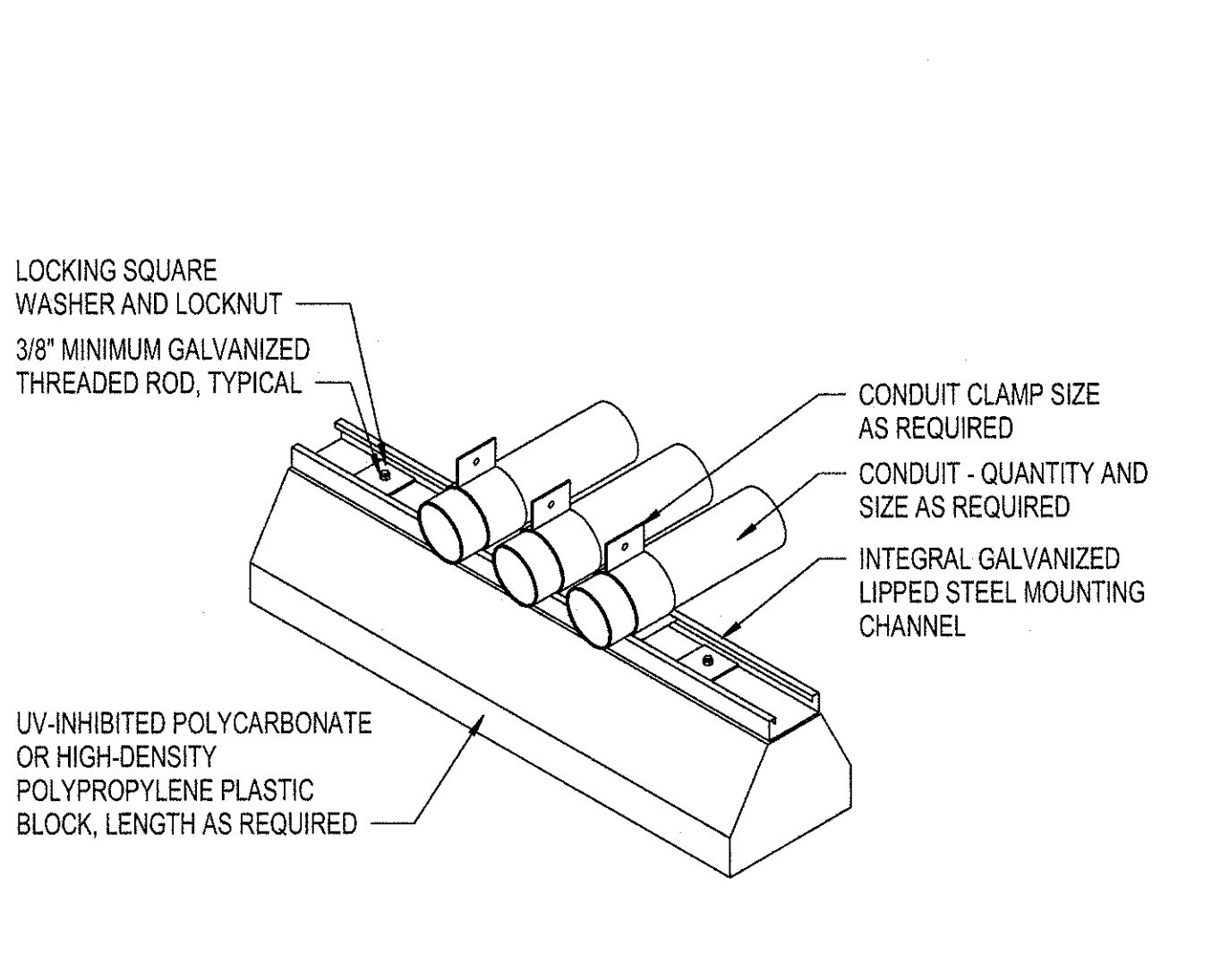
D5 DOWNSPOUT BOOT DETAIL
3" = 1'-0"
A-132



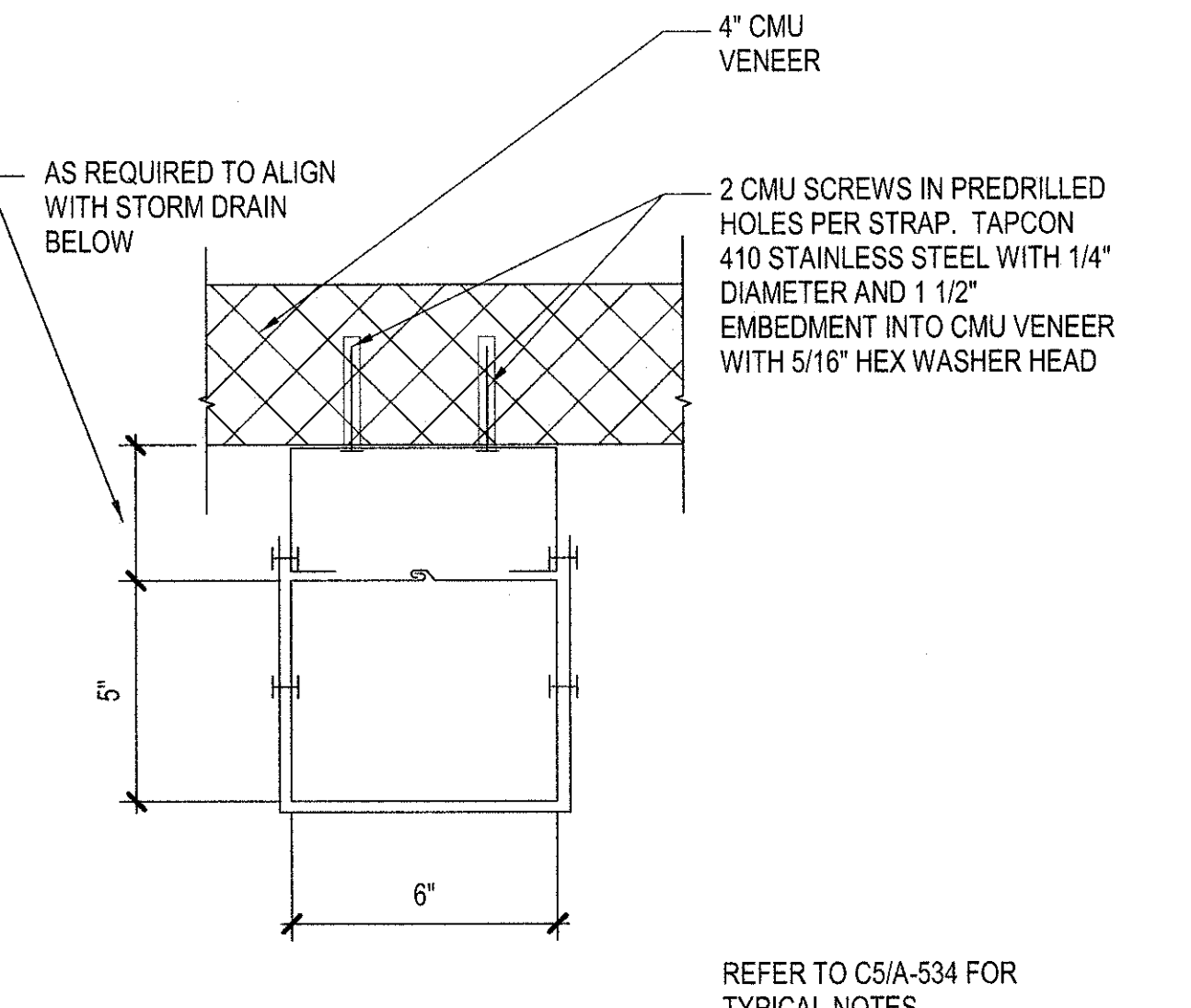
C4 DOWNSPOUT HANGER AT MP-2
NOT TO SCALE
A-534



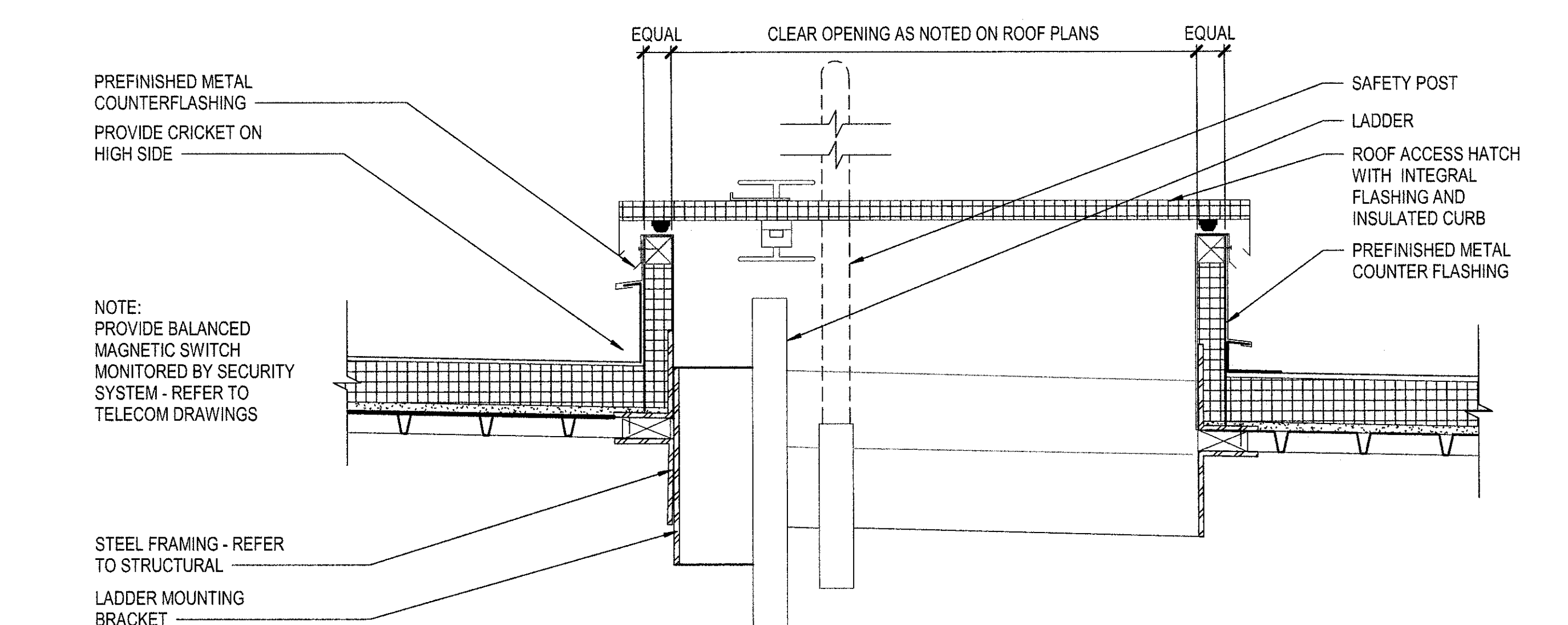
C5 DOWNSPOUT HANGER AT MP-3
NOT TO SCALE
A-534



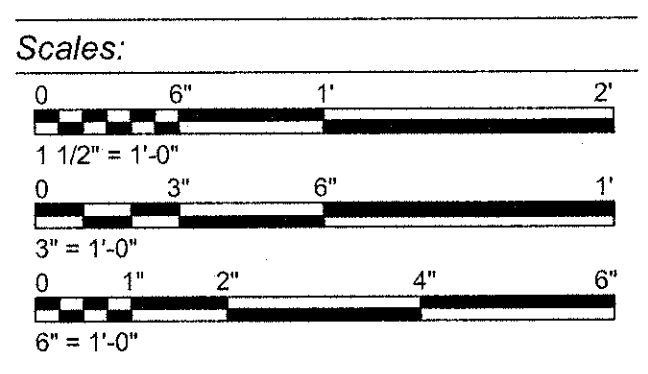
B4 CONDUIT ROOF MOUNT DETAIL
NOT TO SCALE
A-134



B5 DOWNSPOUT HANGER AT CMU
NOT TO SCALE
A-534



A4 ROOF HATCH AT PVC ROOF
1 1/2" = 1'-0"
A-531



Project No.: T1808-01

Drawing Title: ARCHITECTURAL EXTERIOR DETAILS

Date: 29 JUNE 2018

Designed: AT
 Drawn: NF
 Checked: RY

Drawing No.: **A-534**

154 of 322