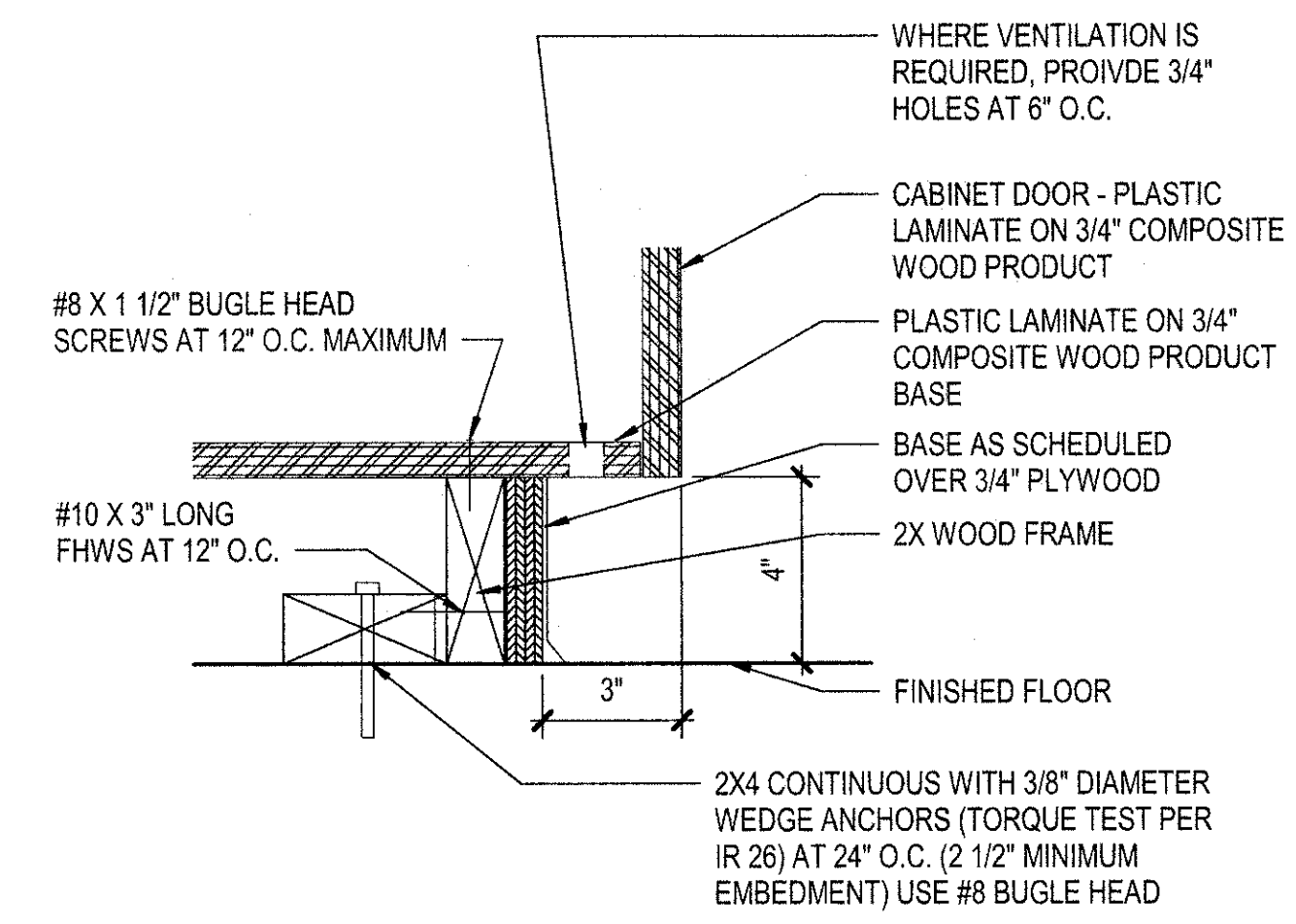


Robert A. Messel, AIA  
Architect  
MC#A-3930

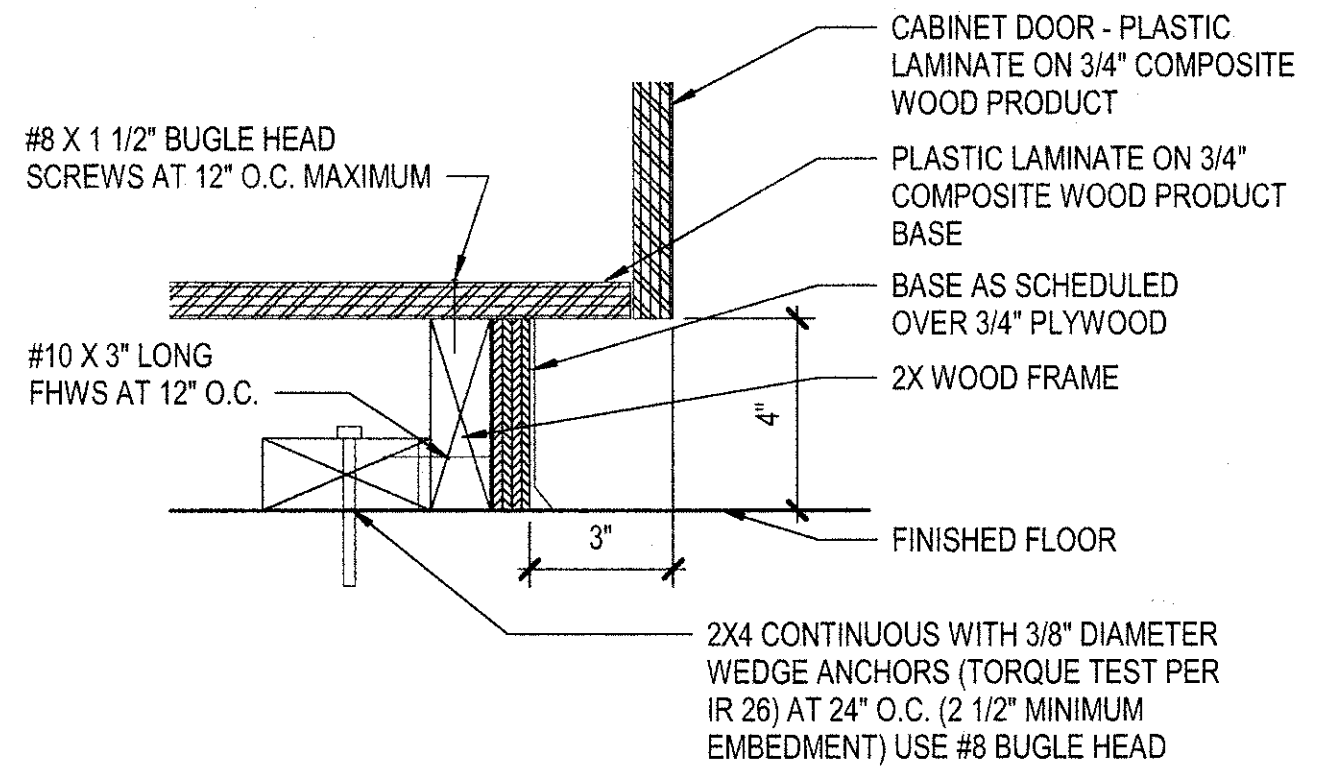
| REV | DESCRIPTION | DATE |
|-----|-------------|------|
|     |             |      |
|     |             |      |
|     |             |      |

**AVCRAD PHASE 3A ADDITION**  
 1107th THEATER AVIATION SUSTAINMENT MAINTENANCE GROUP  
 MISSOURI ARMY NATIONAL GUARD  
 GREENE COUNTY  
 SPRINGFIELD, MISSOURI  
 CONTRACT NO. T1808-01  
 NATIONAL GUARD BUREAU  
 NGB PROJECT NO. 290109

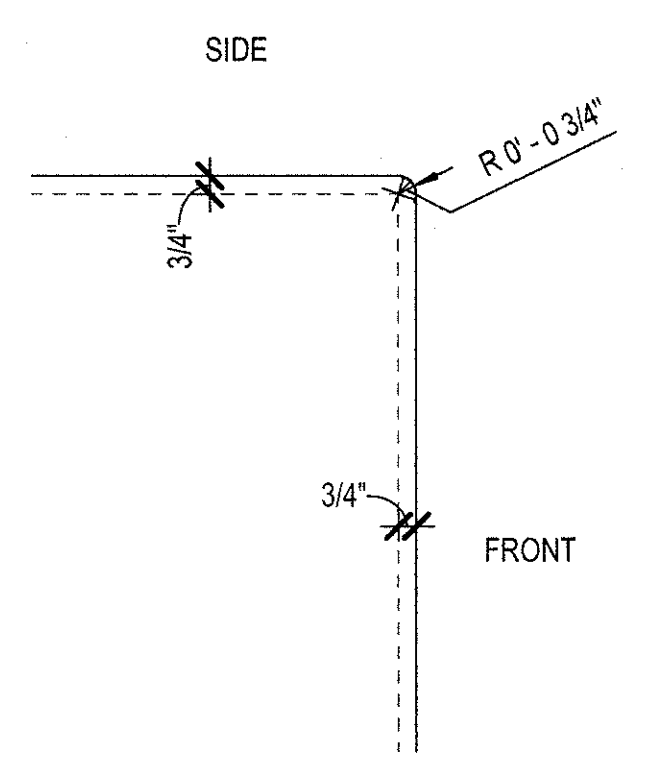
Scales:  
 1 1/2" = 1'-0"  
 3" = 1'-0"  
 6" = 1'-0"  
 Project No.: T1808-01  
 Drawing Title: ARCHITECTURAL INTERIOR DETAILS  
 Date: 29 JUNE 2018  
 Designed: AT  
 Drawn: NF  
 Checked: RY  
 Drawing No.: A-554  
 162 of 322



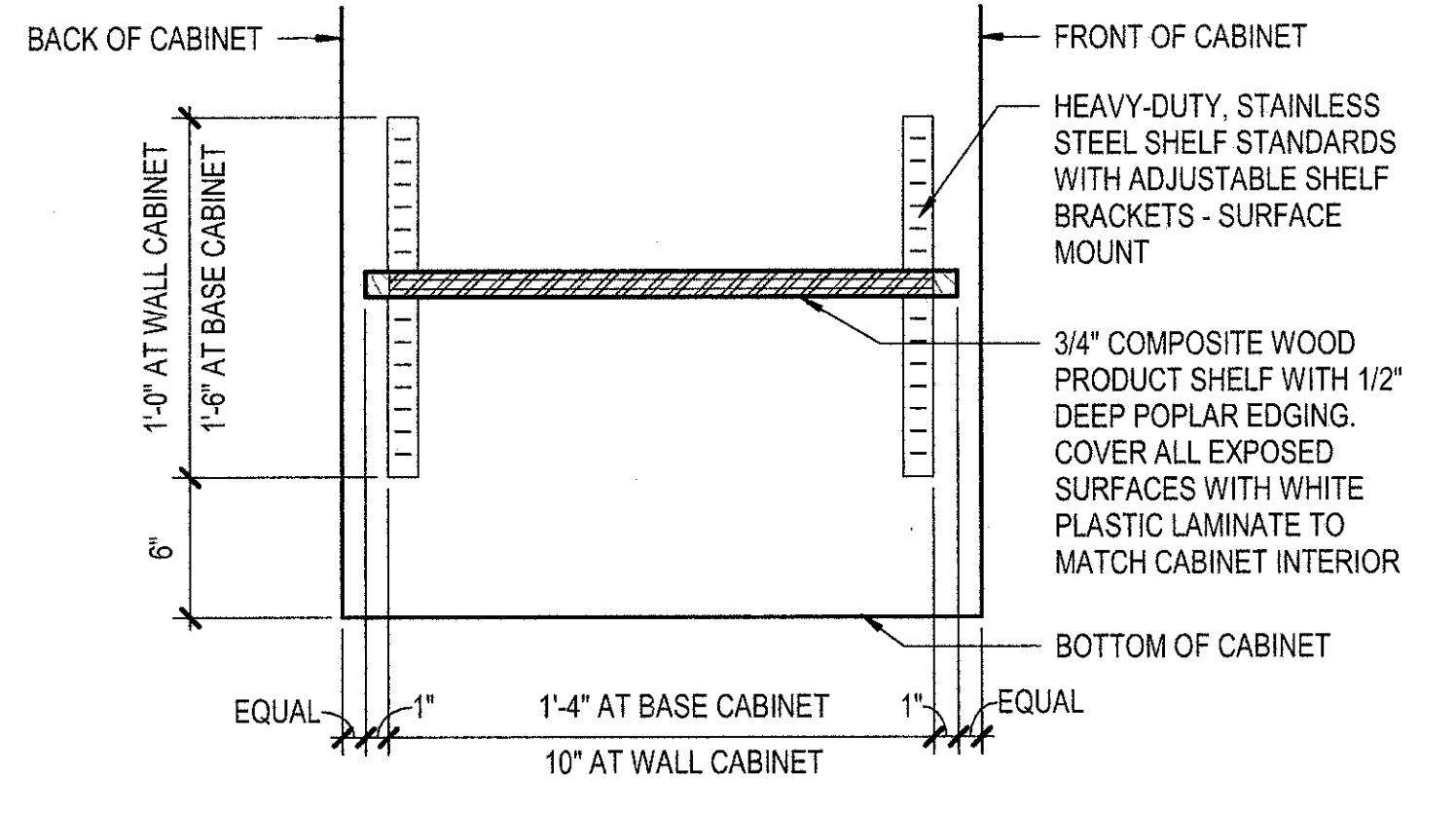
**D5 VENTED CABINET BASE DETAIL**  
1 1/2" = 1'-0"



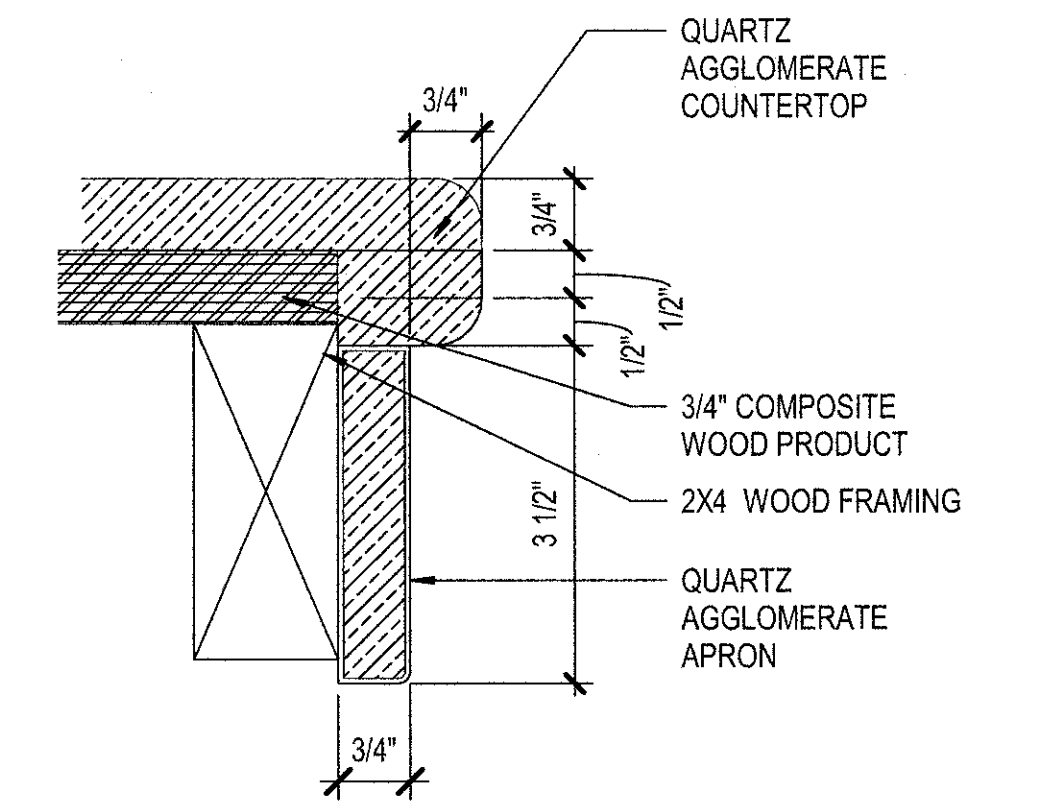
**D4 TYPICAL CABINET BASE DETAIL**  
3\"/>



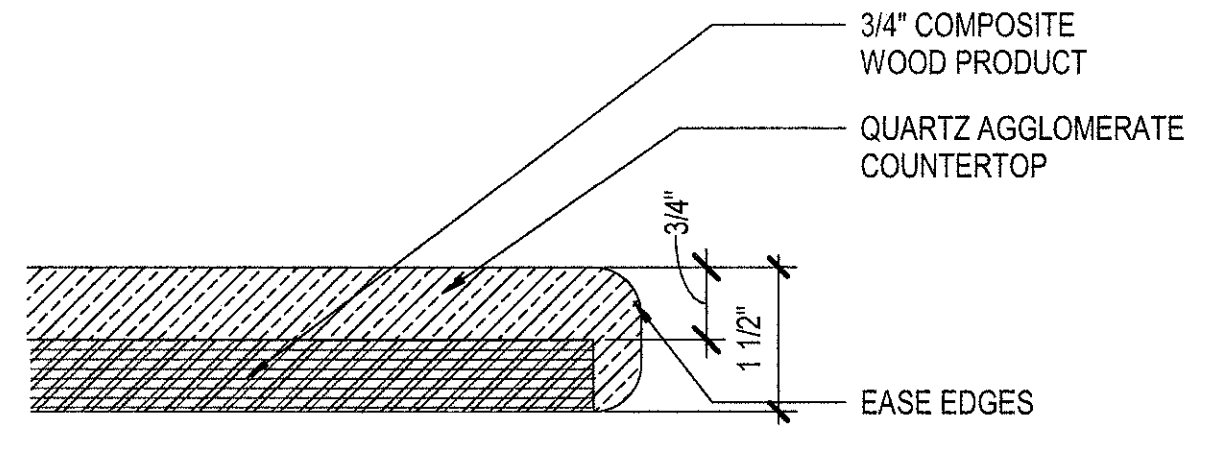
**D3 COUNTER RADIUS DETAIL**  
1 1/2" = 1'-0"



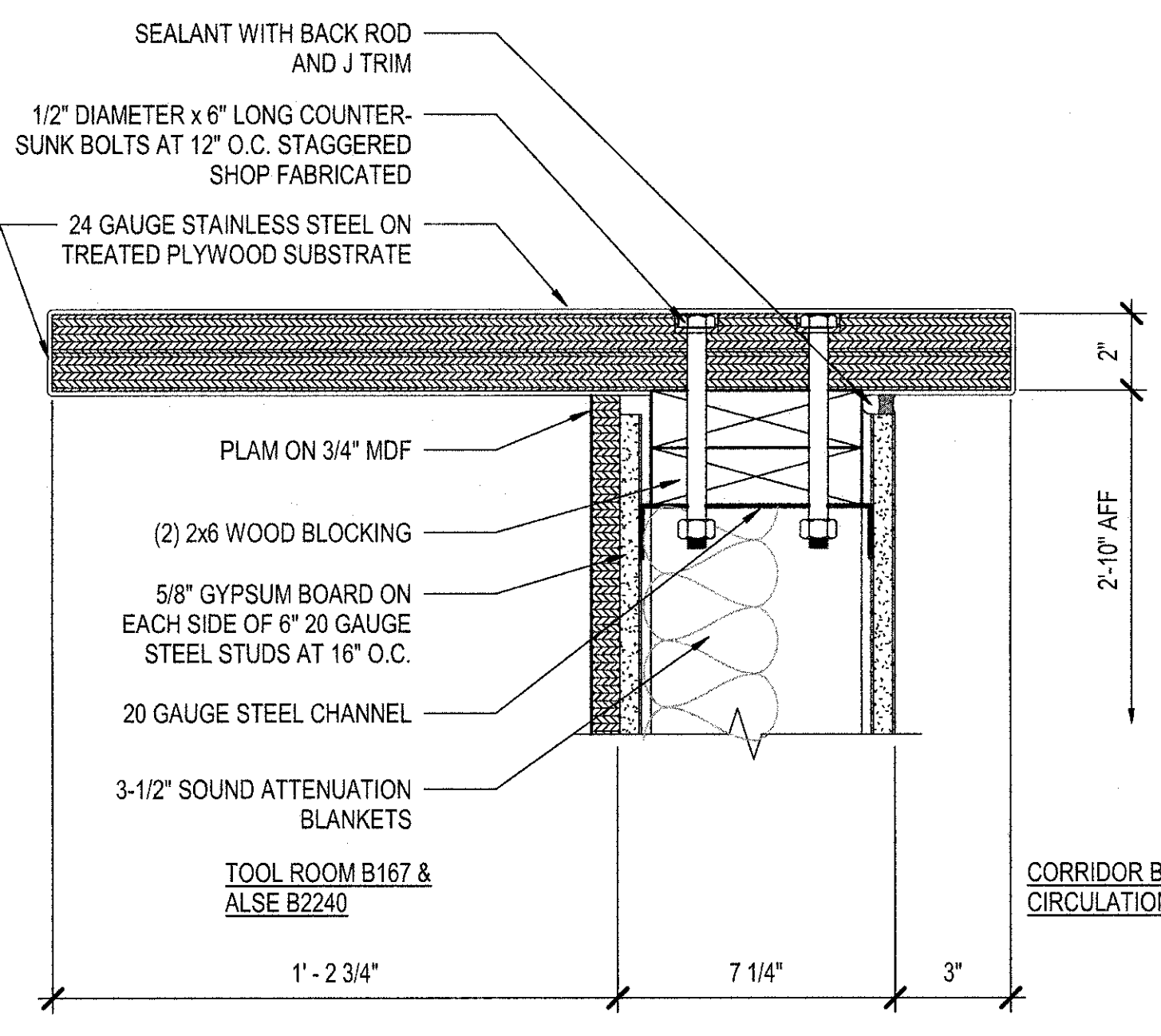
**C5 ADJUSTABLE SHELF DETAIL**  
1 1/2" = 1'-0"



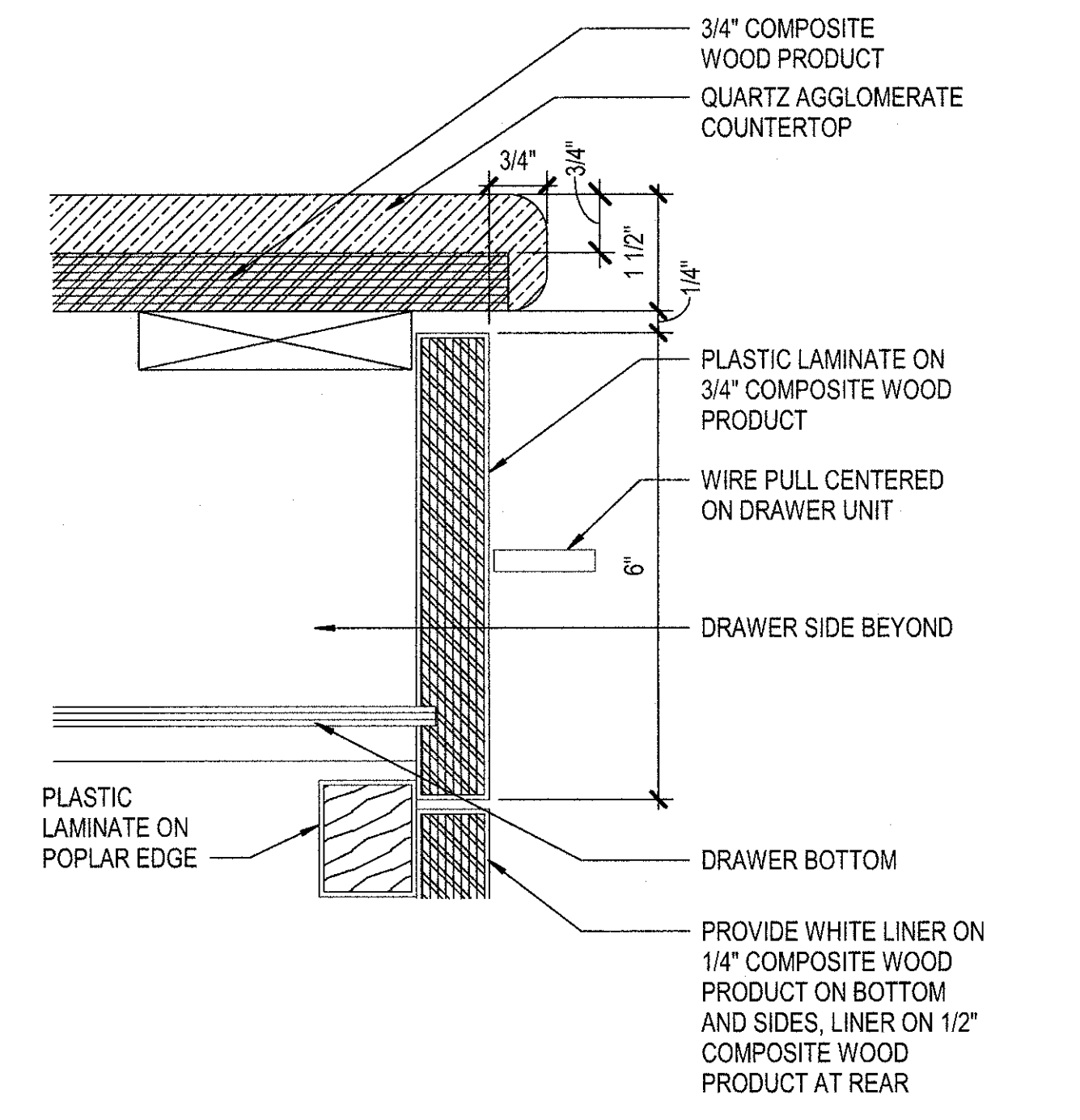
**C4 COUNTERTOP DETAIL**  
6\"/>



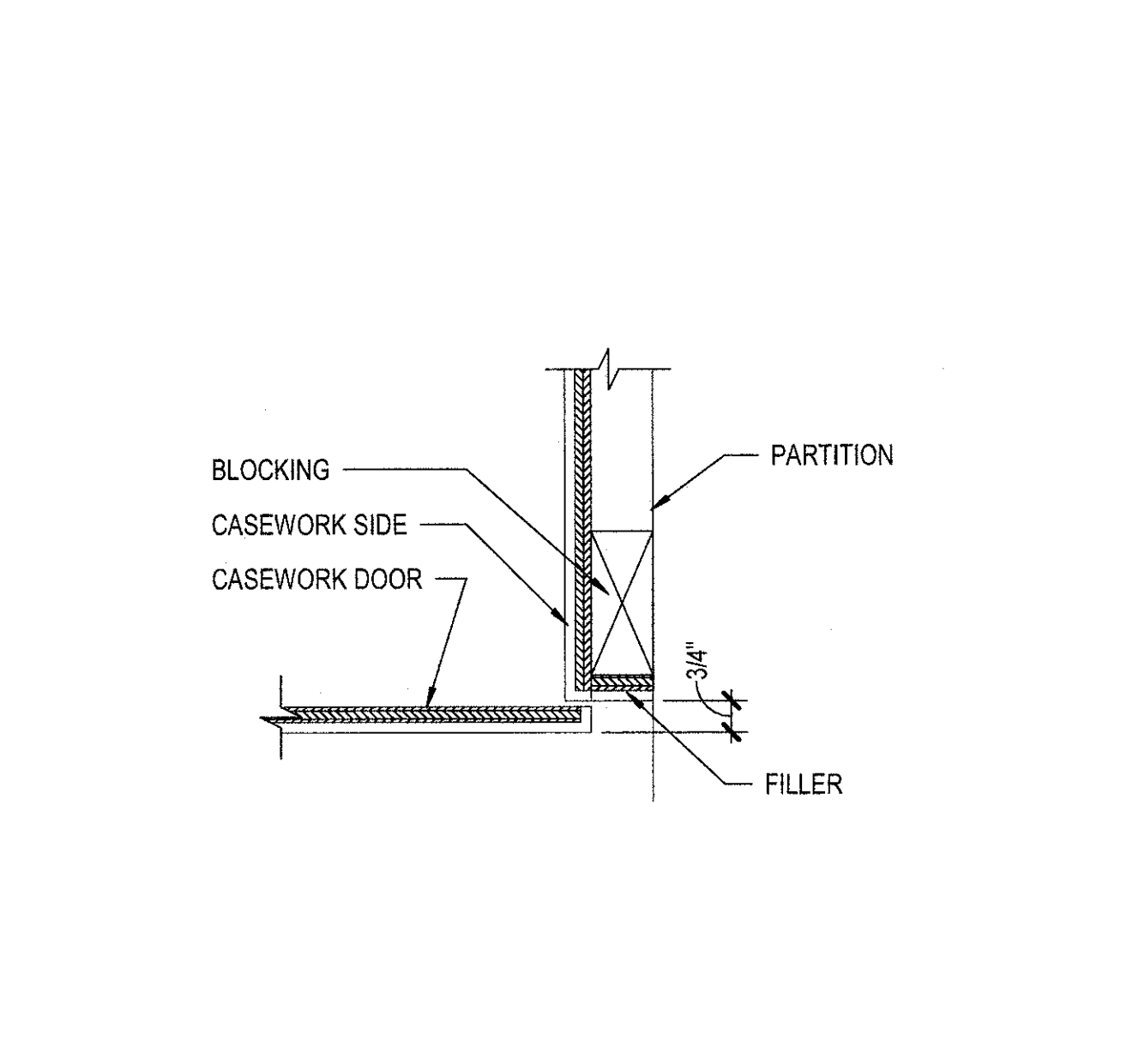
**C3 COUNTERTOP DETAIL**  
6\"/>



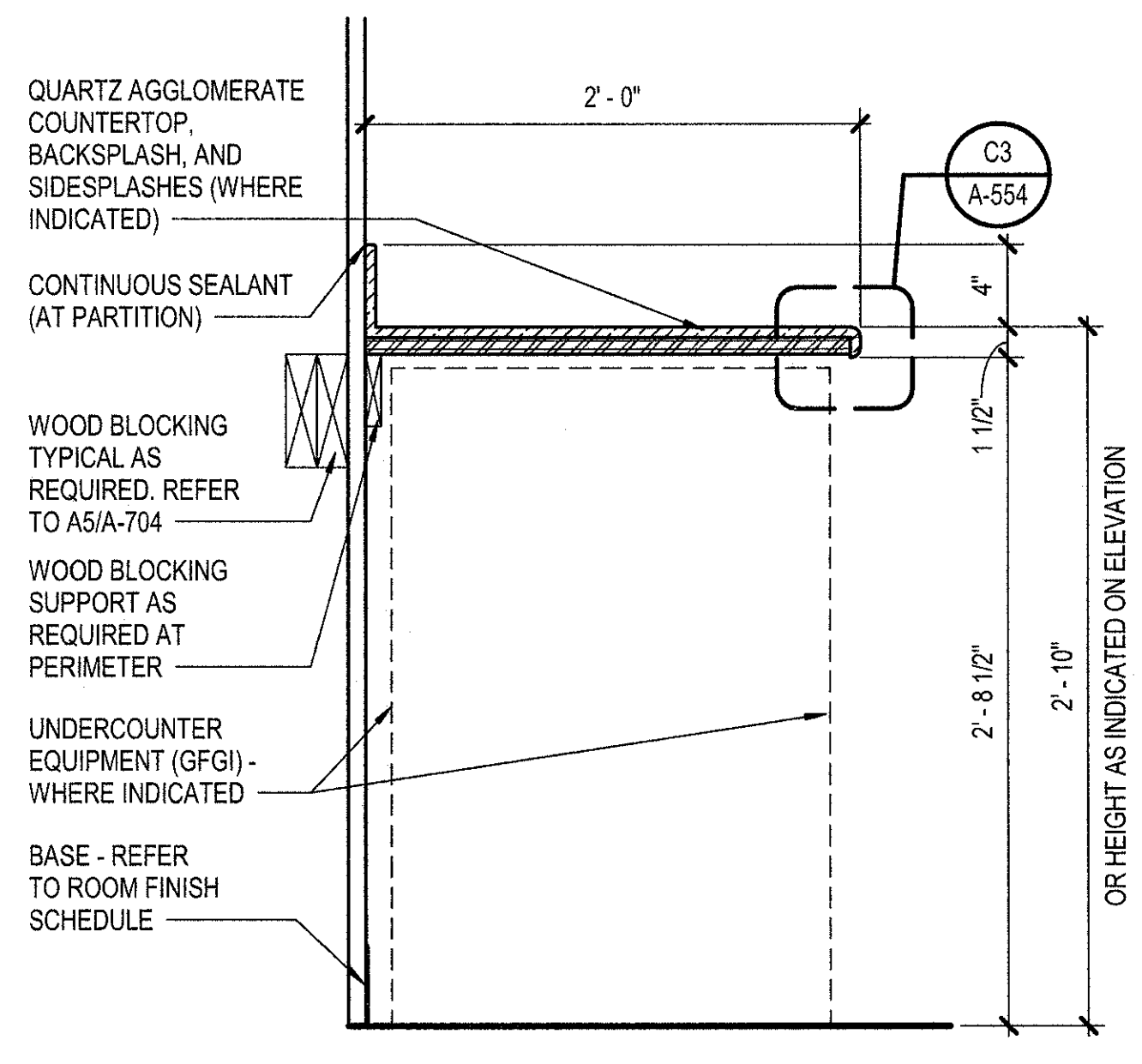
**C2 STAINLESS STEEL COUNTER DETAIL**  
3\"/>



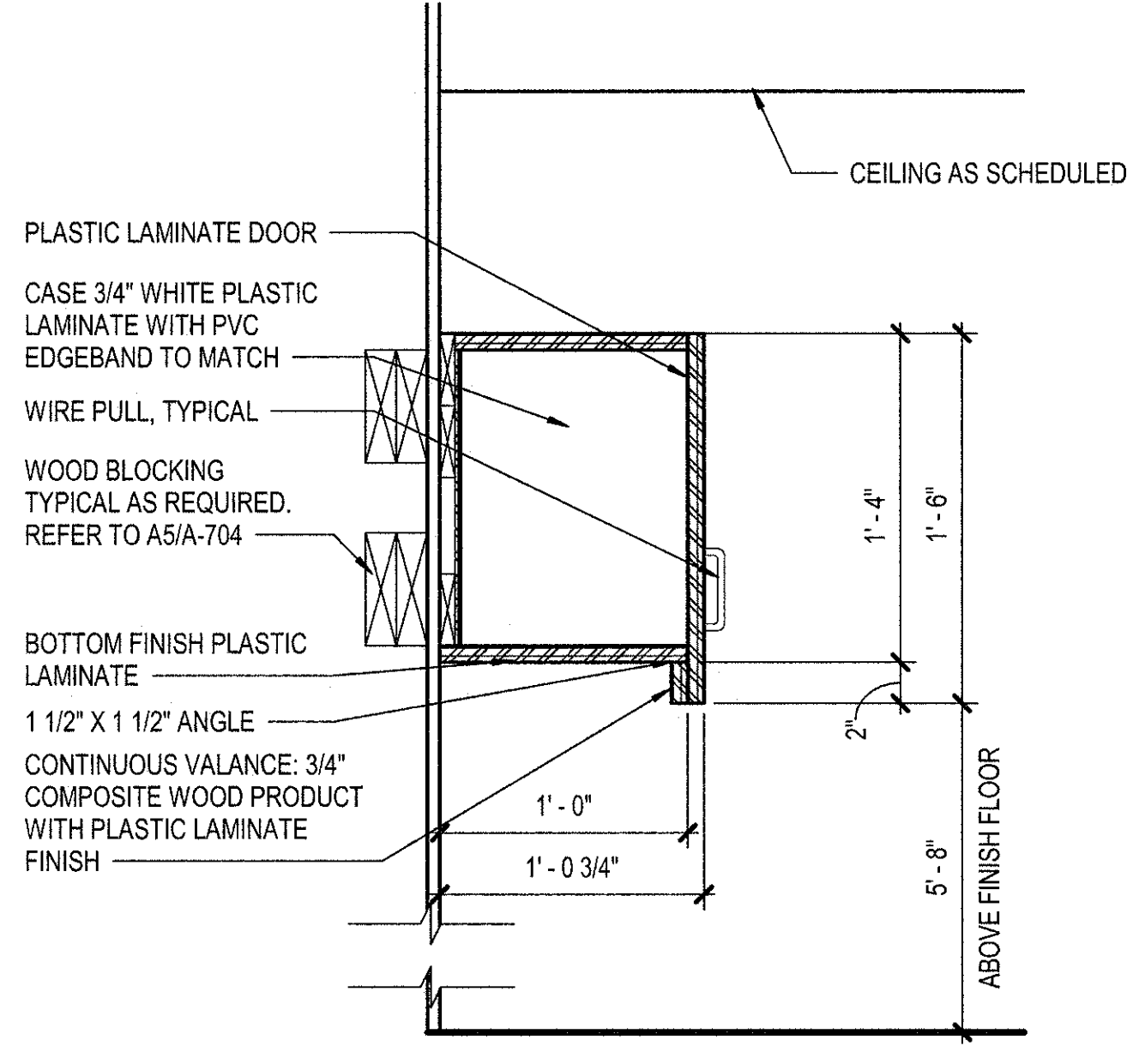
**C1 COUNTERTOP DETAIL**  
6\"/>



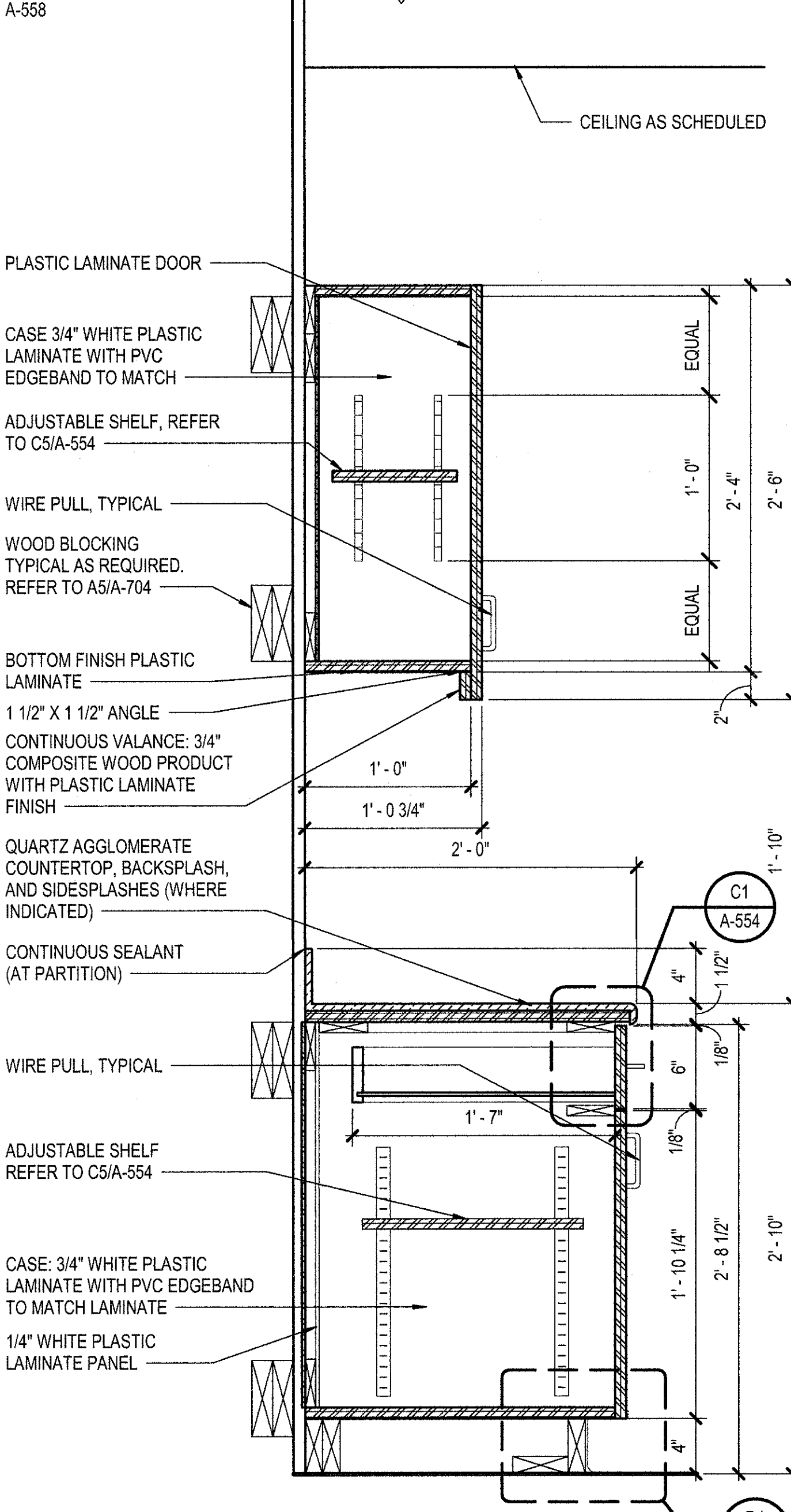
**B5 CASEWORK ABUTTING PARTITION**  
3\"/>



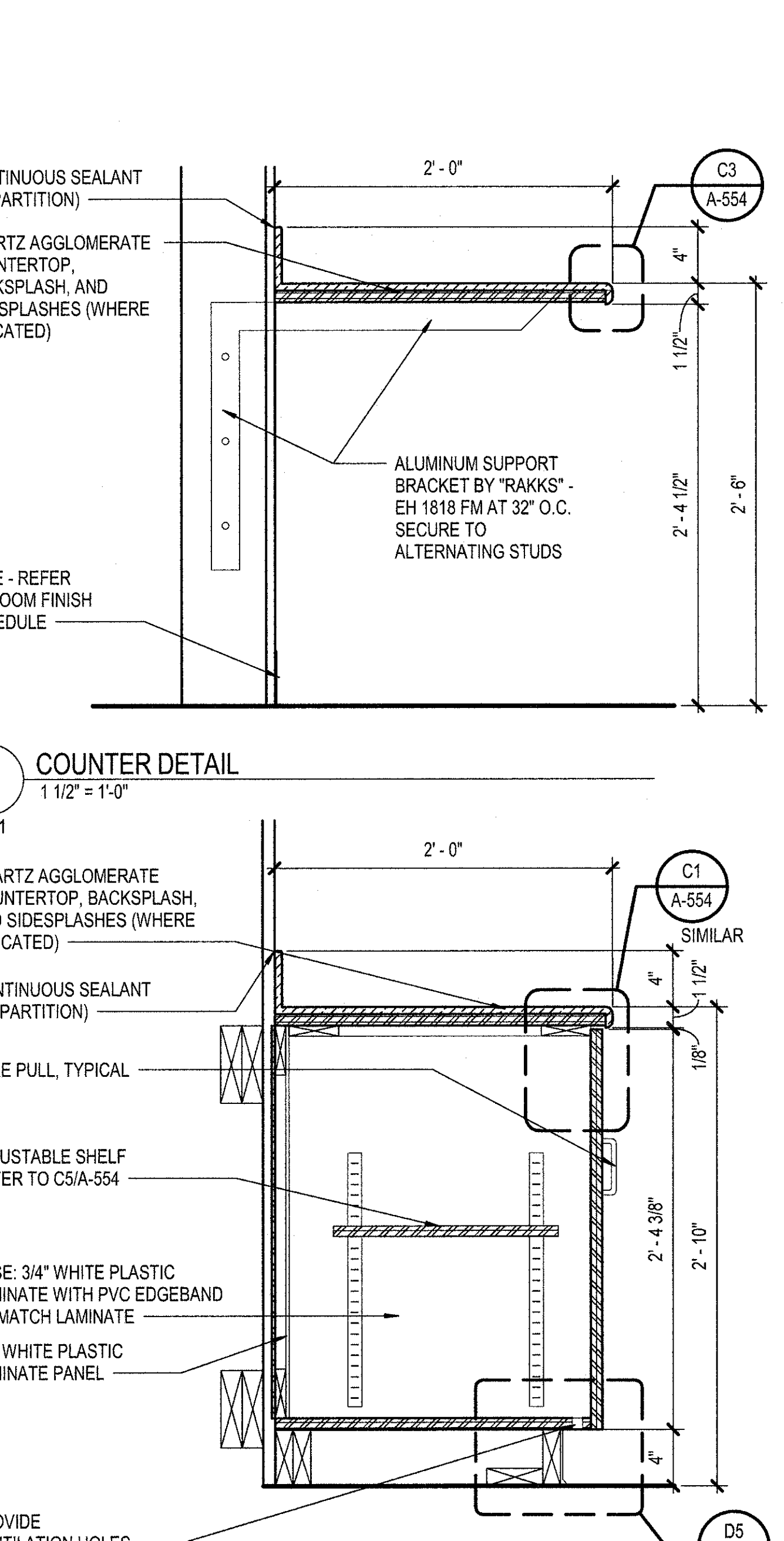
**B4 BASE CABINET DETAIL**  
1 1/2" = 1'-0"



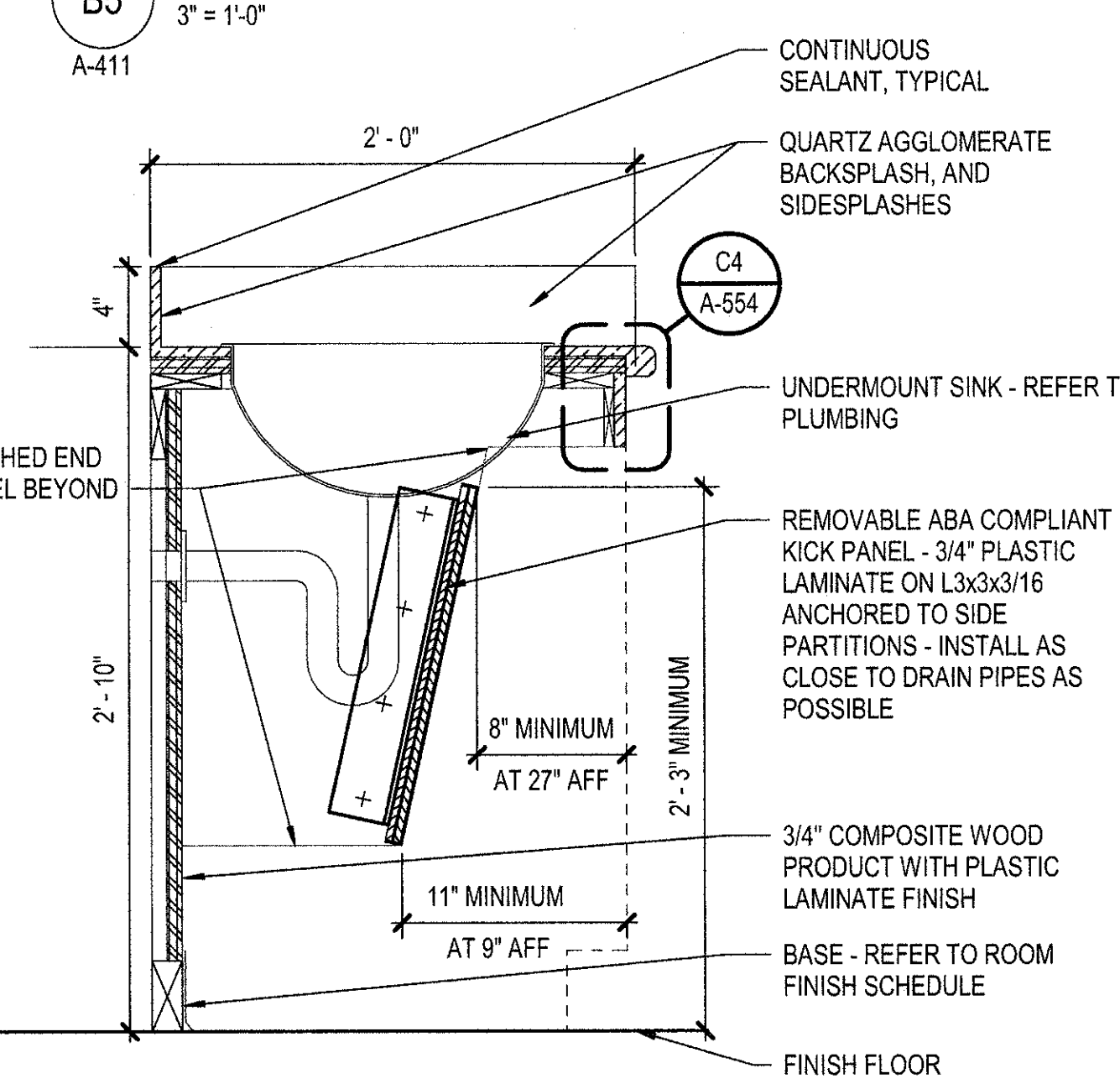
**B3 CABINET DETAIL**  
1 1/2" = 1'-0"



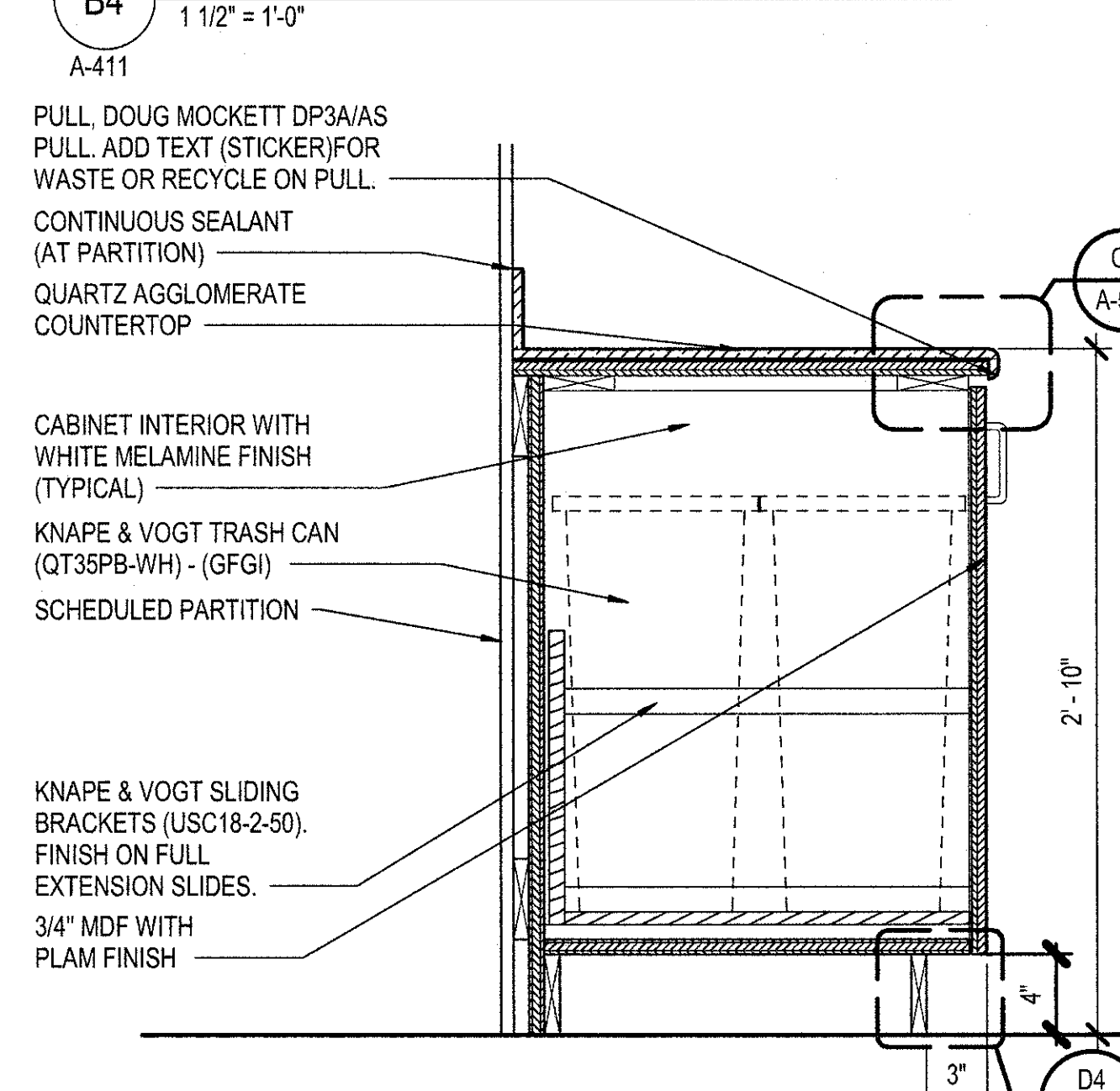
**A2 CABINET DETAIL**  
1 1/2" = 1'-0"



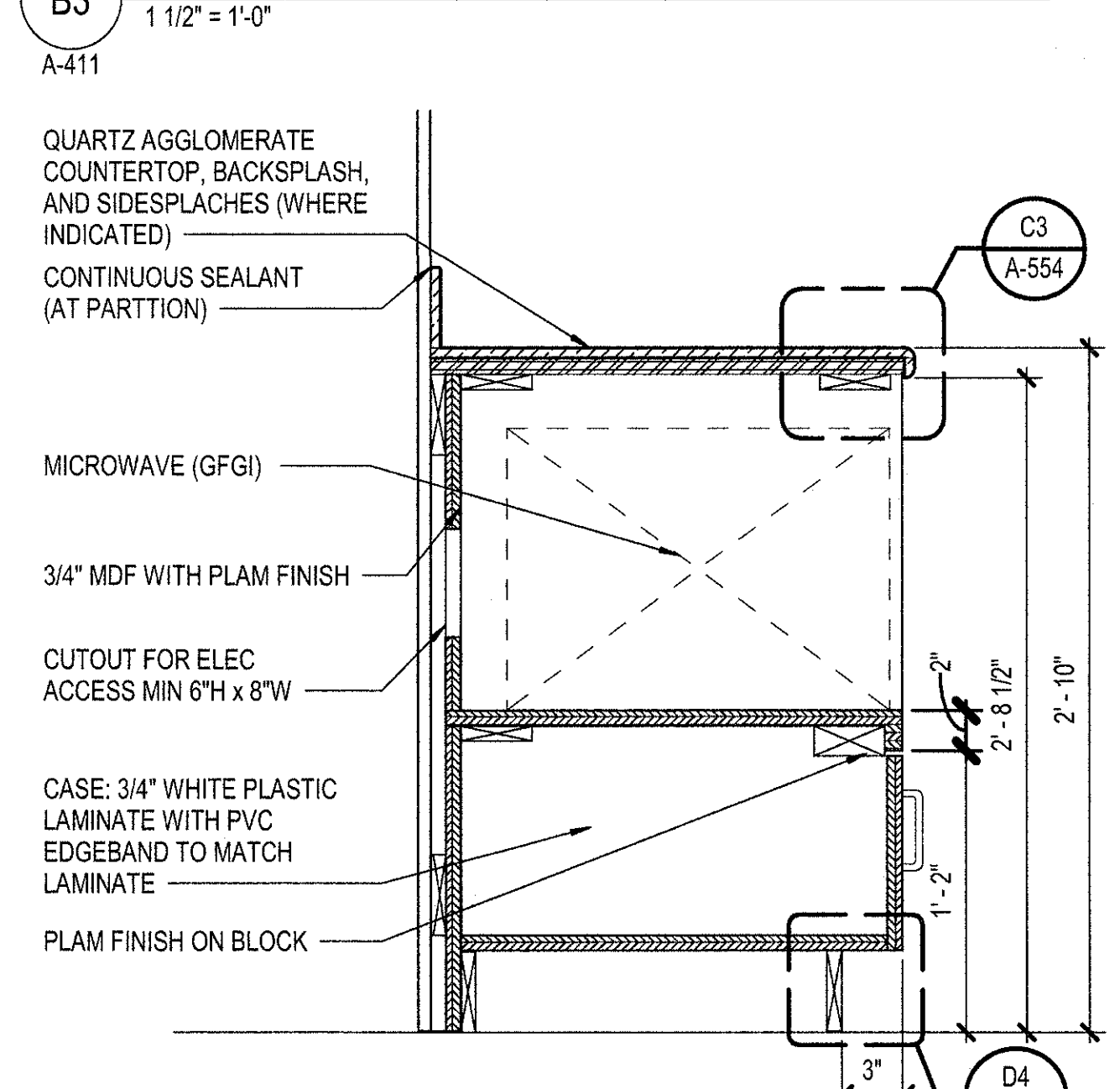
**A1 CABINET DETAIL**  
1 1/2" = 1'-0"



**A5 ACCESSIBLE SINK BASE DETAIL**  
1 1/2" = 1'-0"



**A4 CASEWORK - WASTE/RECYCLE**  
1 1/2" = 1'-0"



**A3 CABINET DETAIL**  
1 1/2" = 1'-0"

JACOBS PROJECT NO. F3W61001  
 BIM 360://b6-F3W61000-TASMG-ARCH-V17.rvt  
 7/30/2018 12:05:38 PM