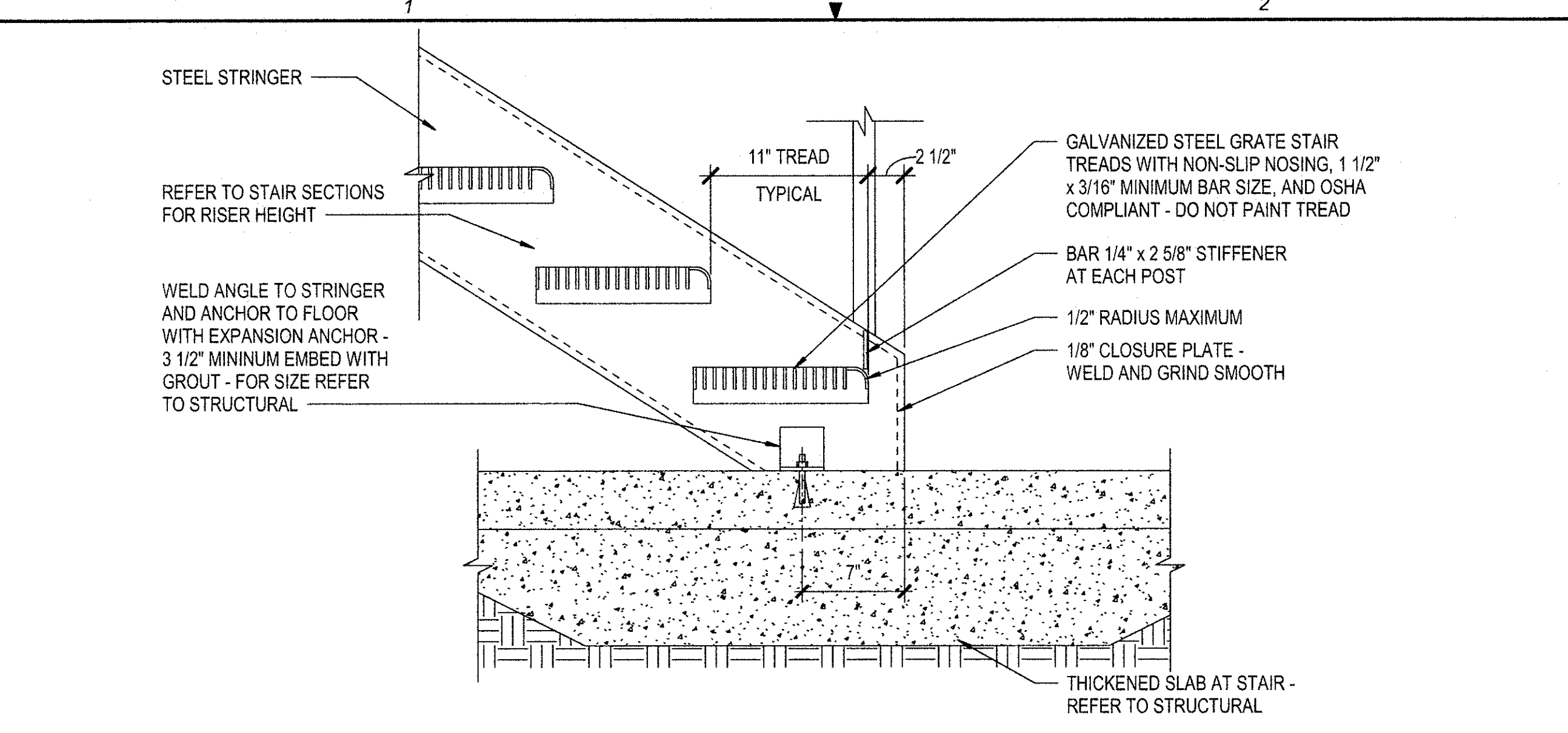


Robert A. Messel, AIA
 Architect
 MO# A-3930

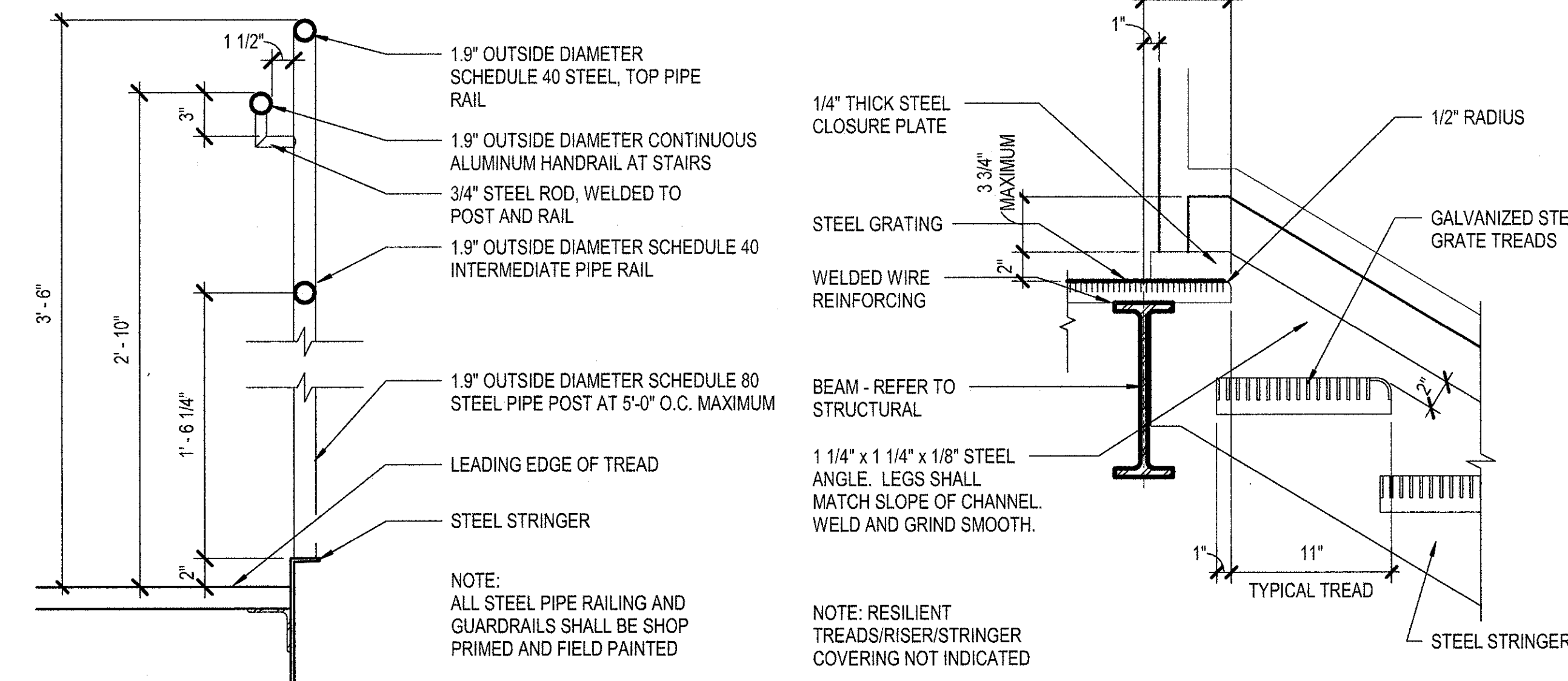
REV	DESCRIPTION	DATE

AVCRAD PHASE 3A ADDITION
 1107th THEATER AVIATION SUSTAINMENT MAINTENANCE GROUP
 MISSOURI ARMY NATIONAL GUARD
 GREENE COUNTY
 SPRINGFIELD, MISSOURI
 CONTRACT NO. T1808-01
 NATIONAL GUARD BUREAU
 NGB PROJECT NO. 290109

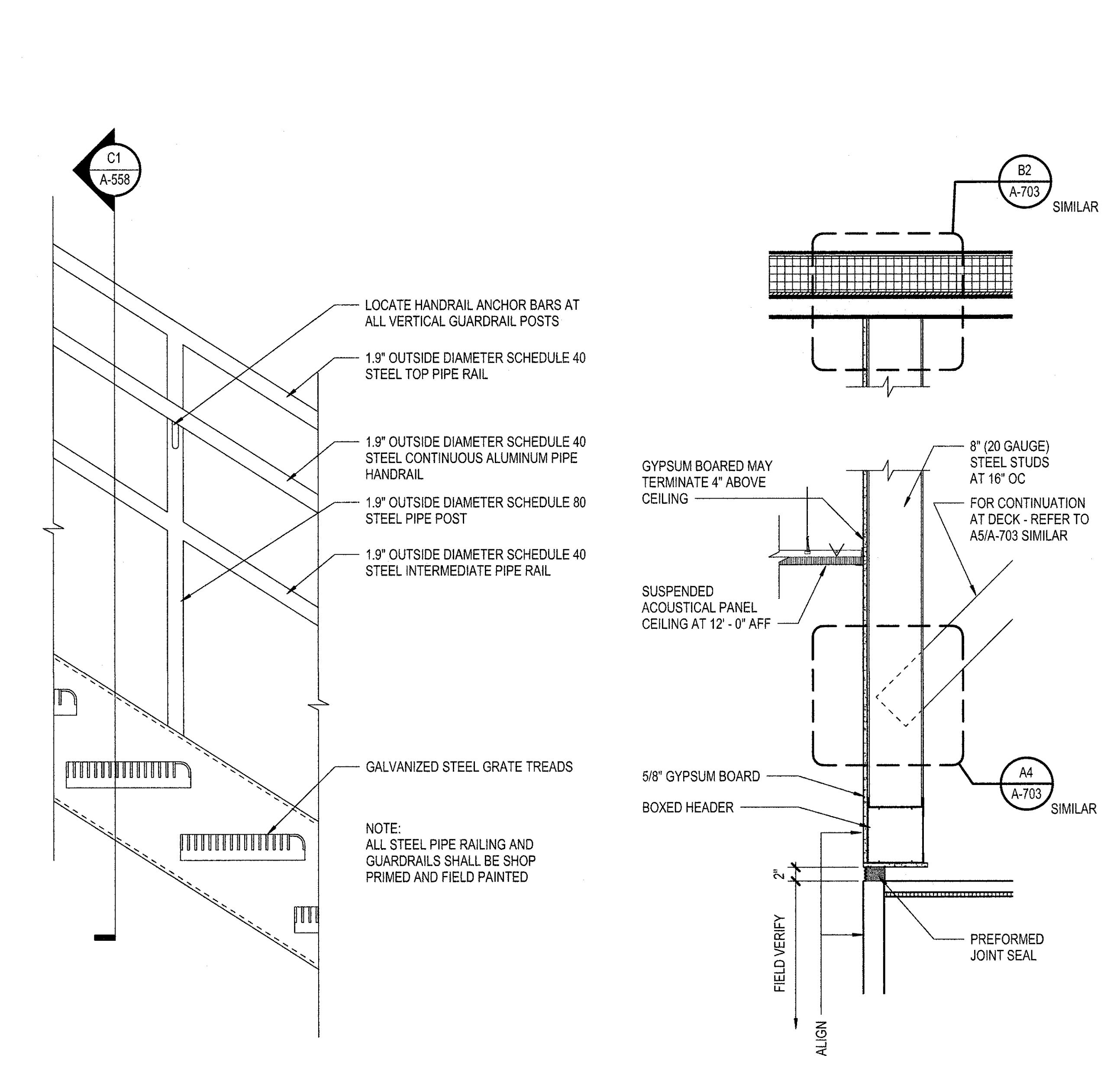
Scales:
 0 6" 1" 2" 4"
 3/4" = 1'-0"
 0 6" 1" 2" 3"
 1" = 1'-0"
 0 3" 6" 1" 2"
 1 1/2" = 1'-0"
 0 3" 6" 1" 2"
 3" = 1'-0"
 Project No.: T1808-01
 Drawing Title: ARCHITECTURAL INTERIOR DETAILS
 Date: 29 JUNE 2018
 Designed: AT
 Drawn: AG
 Checked: RY
 Drawing No.: A-558
 166 of 322



D1 TREAD/RISER AT FIRST FLOOR STAIR (S103, S104)
 1 1/2" = 1'-0"
 A-405

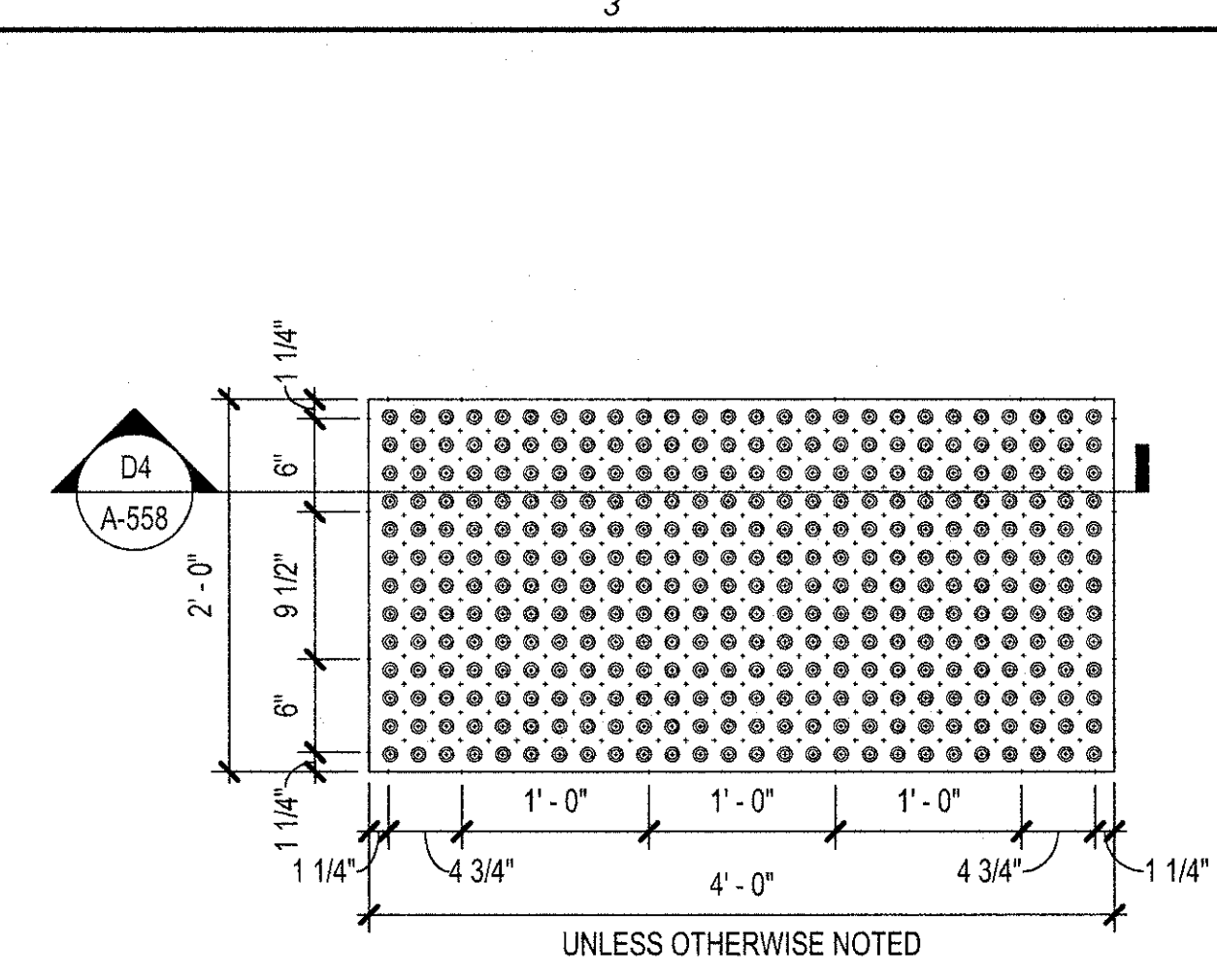


C1 GUARDRAIL DETAIL
 1 1/2" = 1'-0"
 A-558

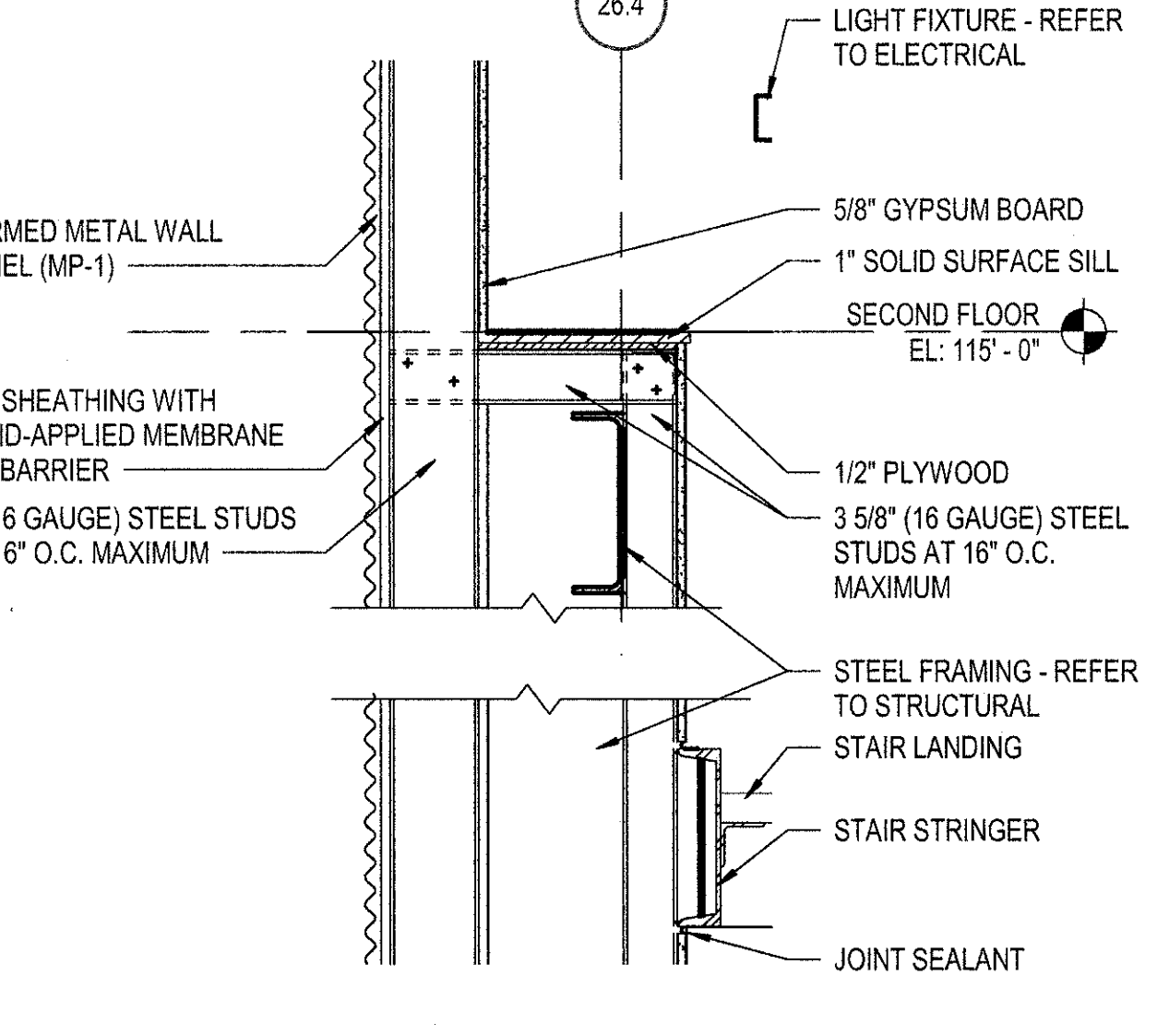


A1 GUARDRAIL DETAIL
 1 1/2" = 1'-0"
 A-405

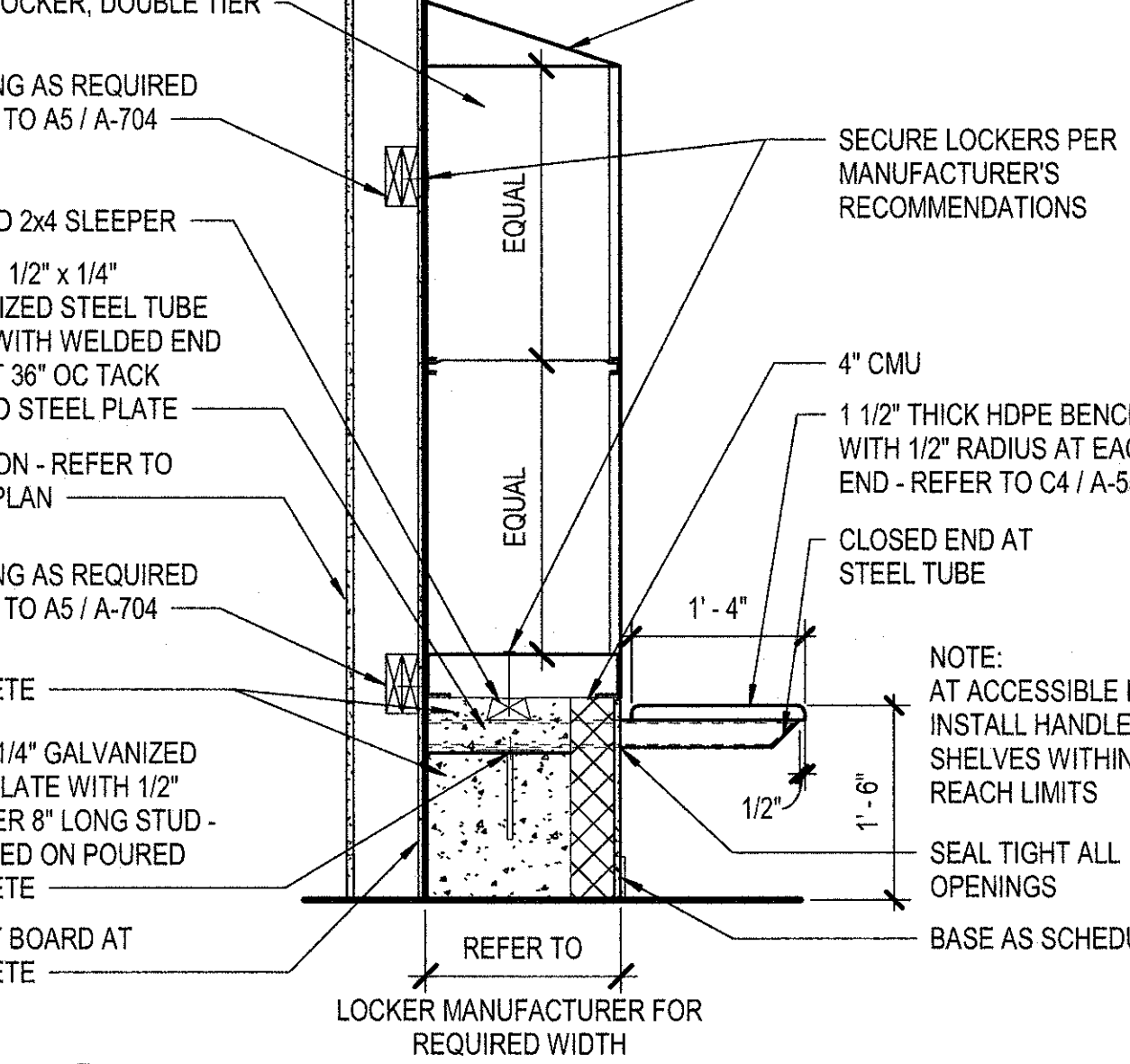
JACOBS PROJECT NO. F3W91001
 BIM 360://s-f3w91000-TASMG-ARCH/INORNG TASMG-ARCH-V17.rvt
 7/30/2018 12:05:59 PM



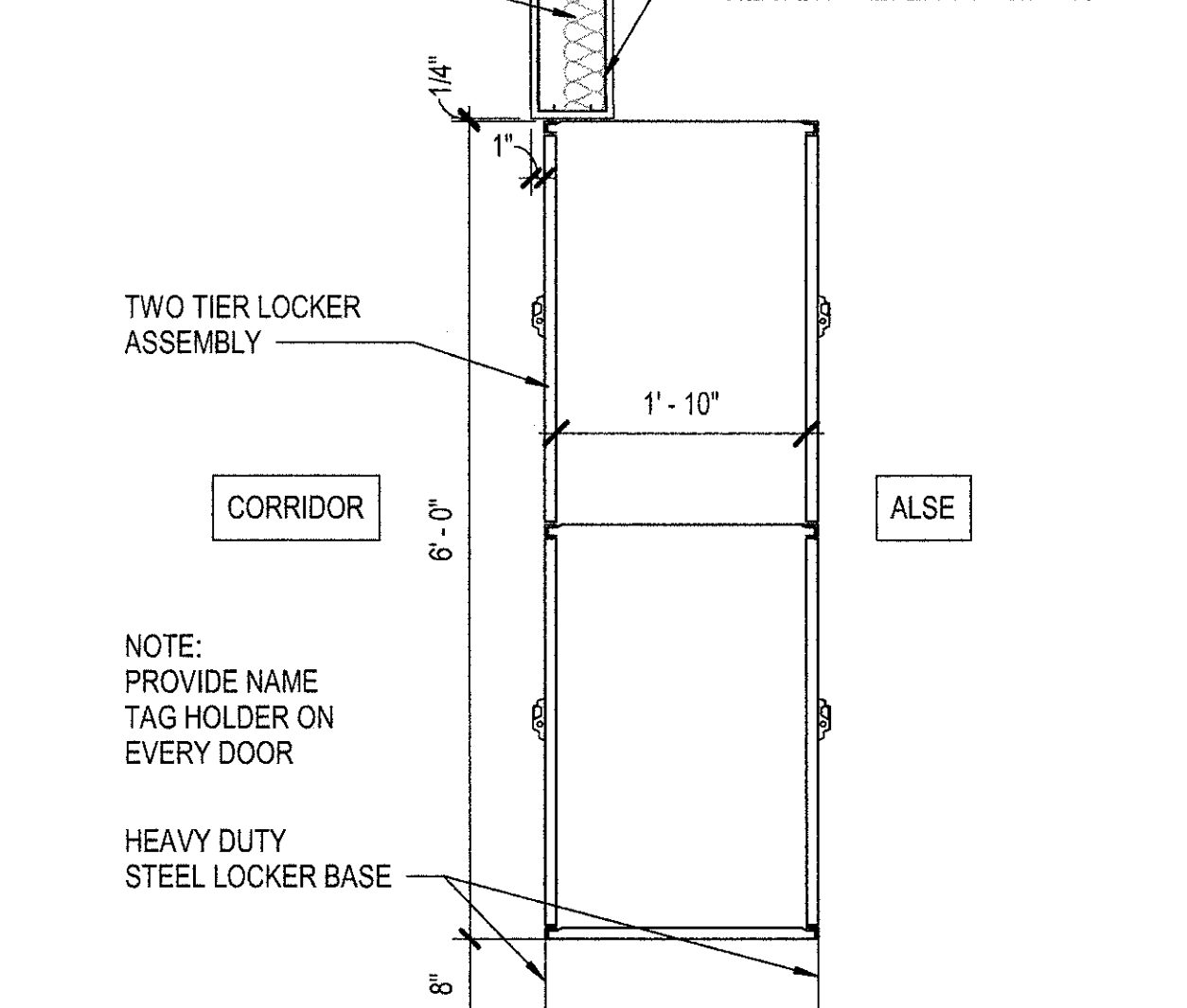
D3 STAINLESS STEEL TACTILE WARNING SYSTEM DETAIL
 1" = 1'-0"
 G-121



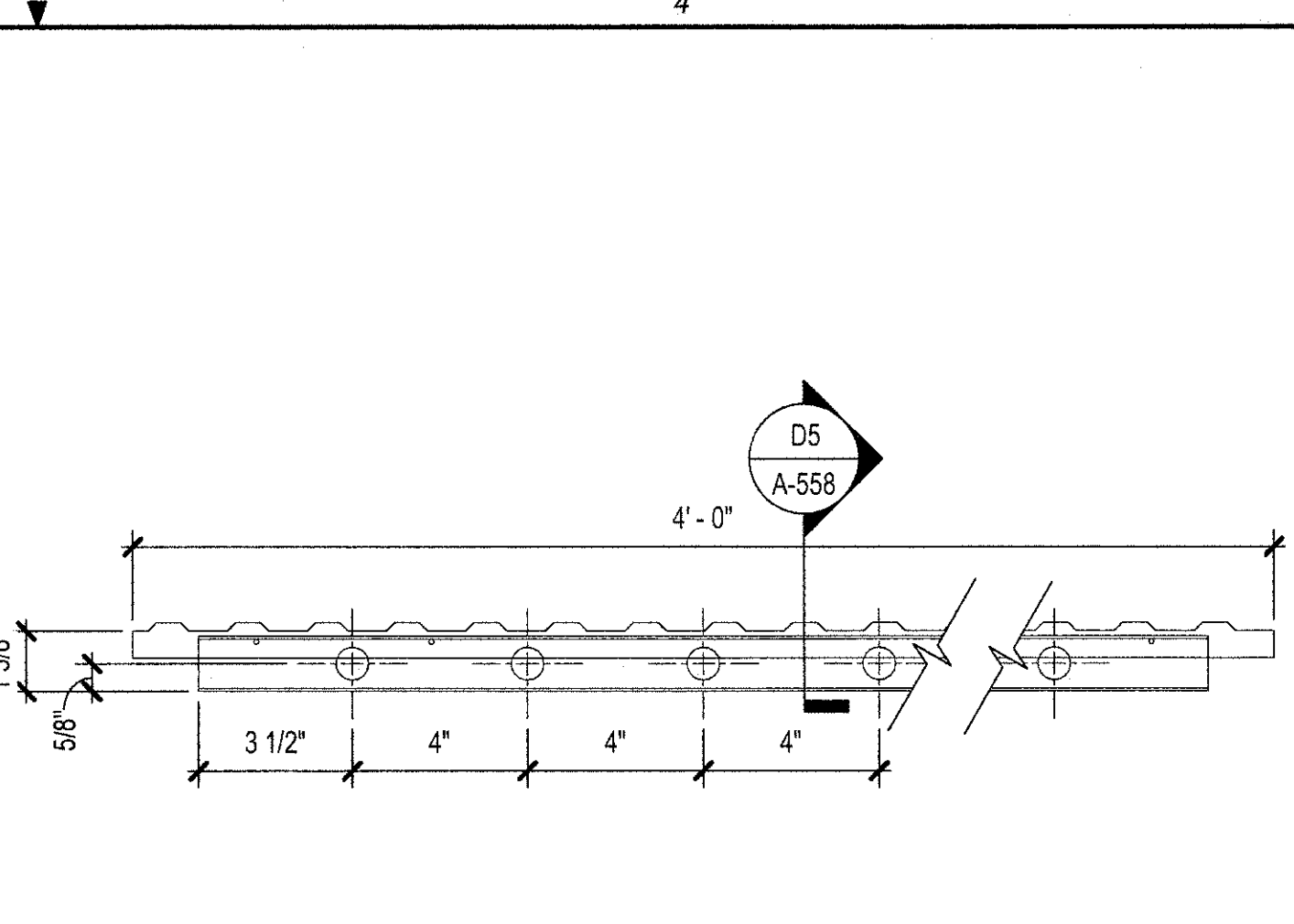
D4 TACTILE WARNING SYSTEM DETAIL
 3" = 1'-0"
 A-558



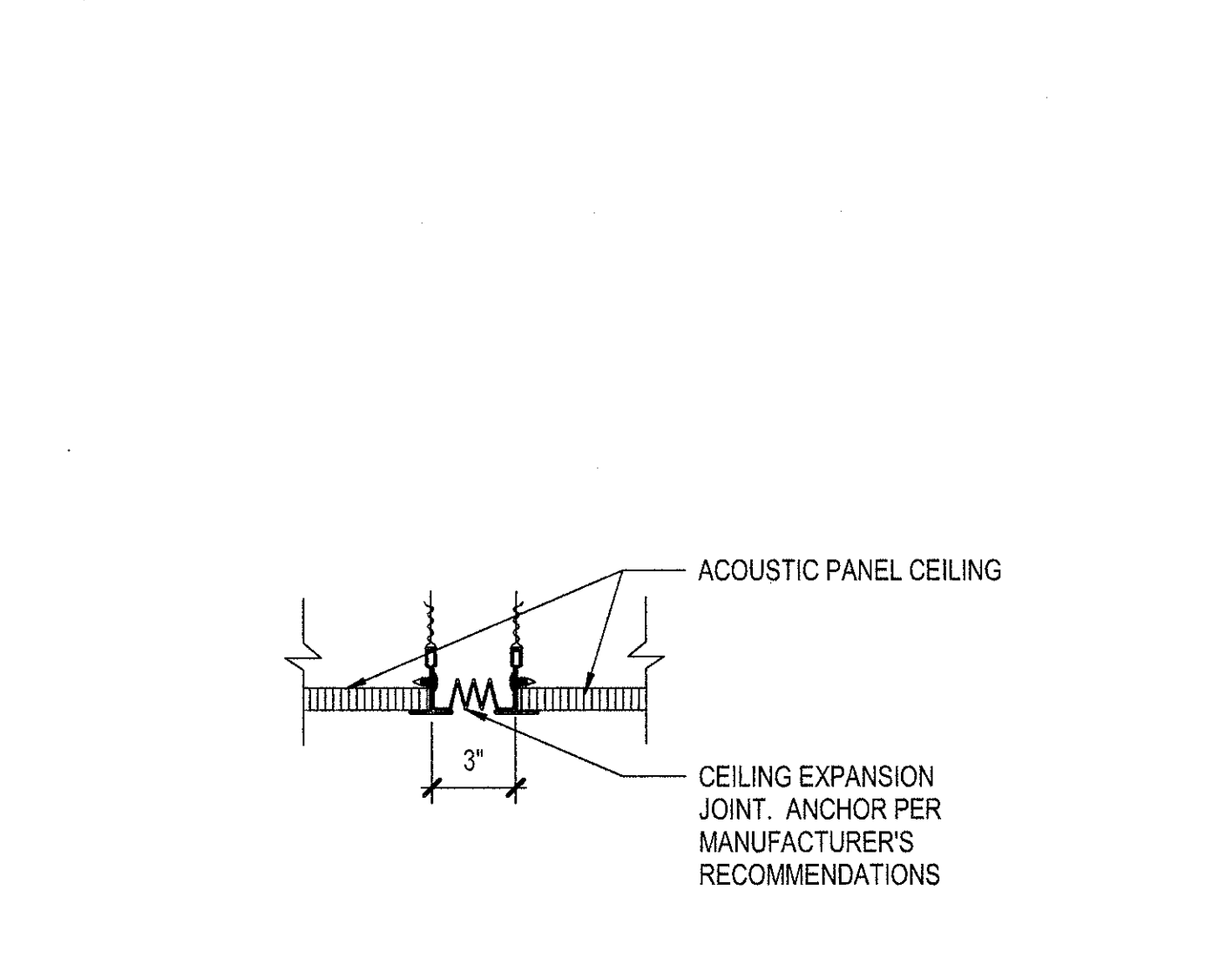
C3 SECTION DETAIL - SILL CAP
 1" = 1'-0"
 A-406



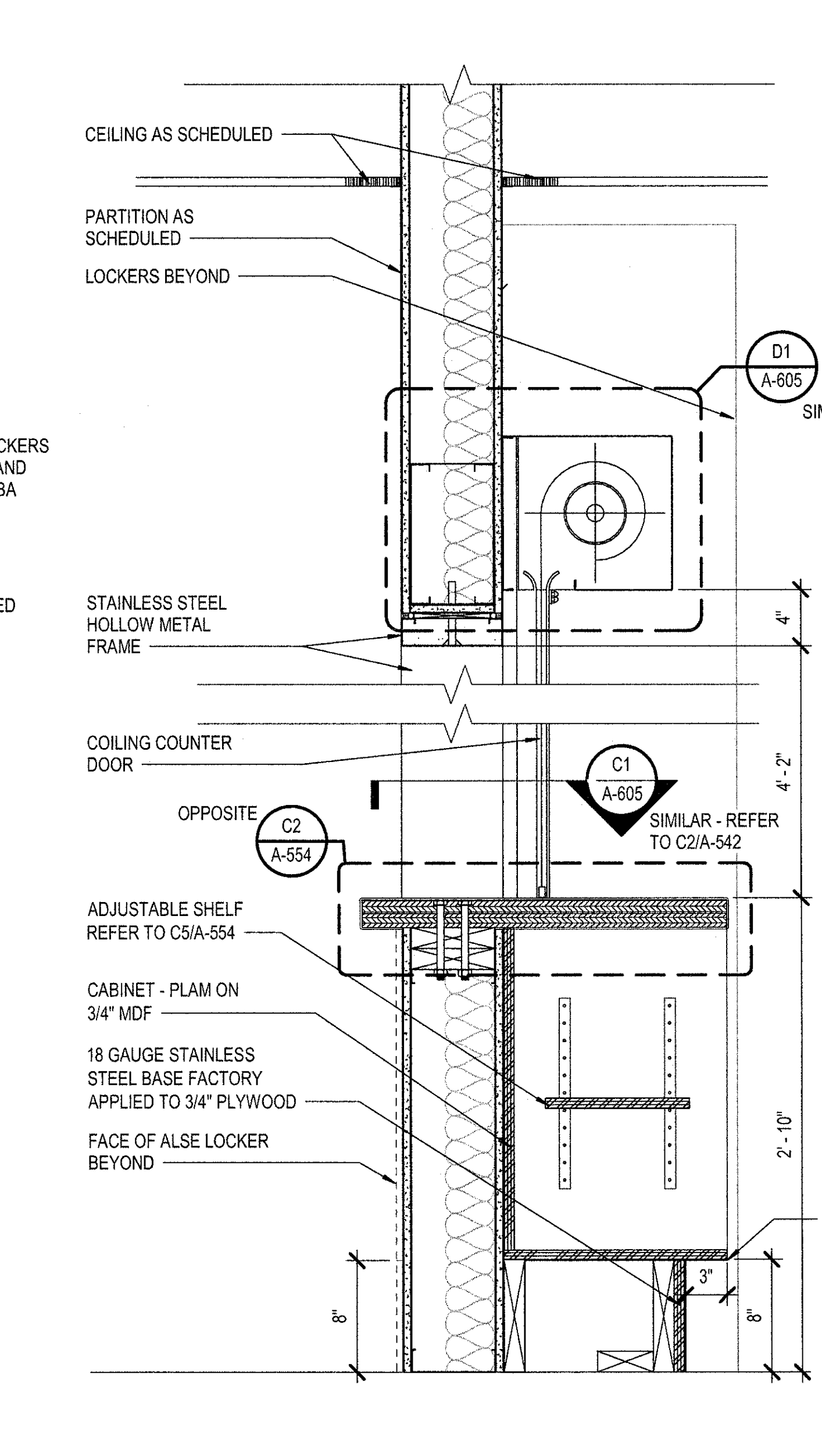
B3 LOCKER DETAIL
 3/4" = 1'-0"
 A-402



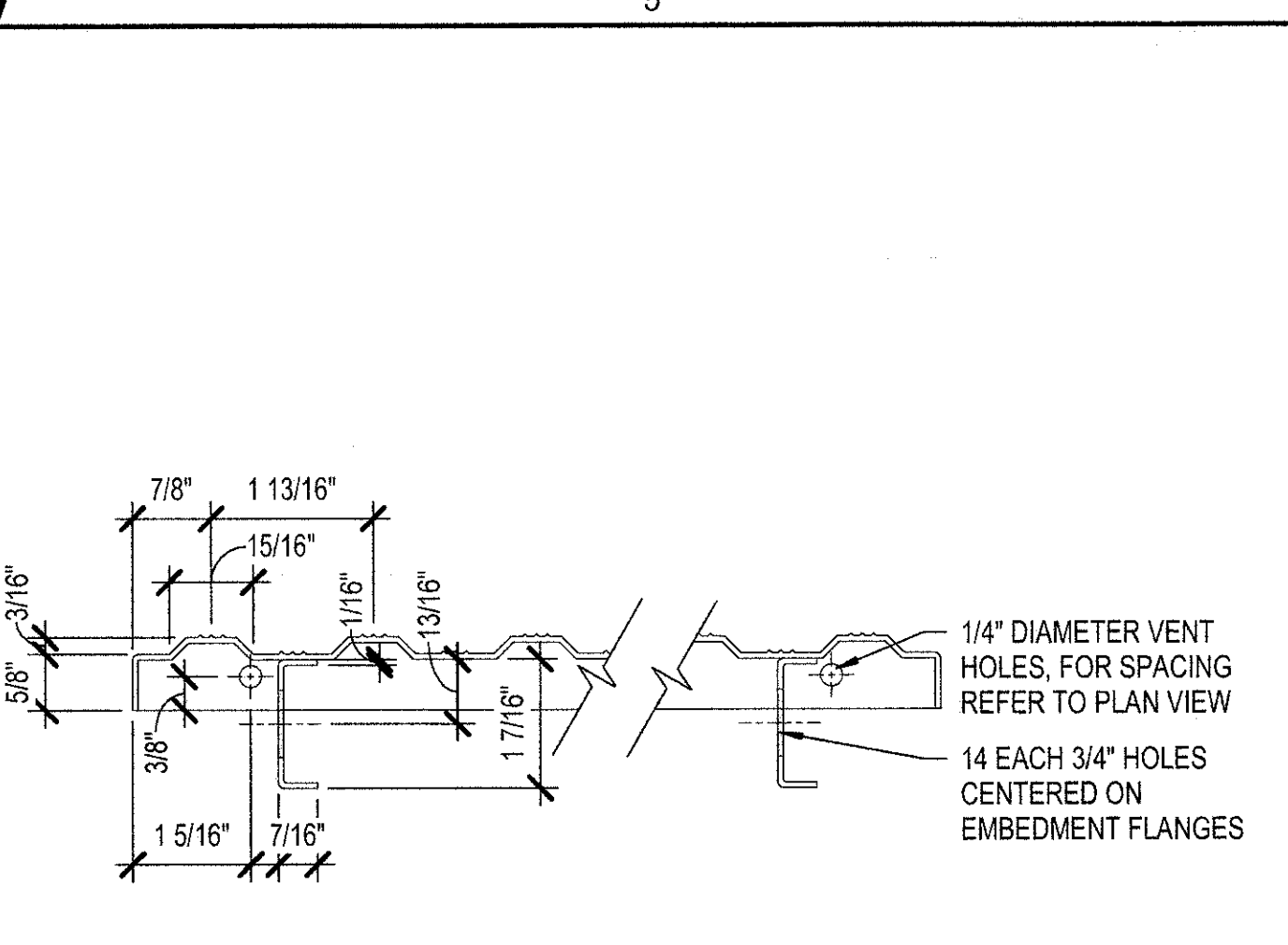
D5 TACTILE WARNING SYSTEM DETAIL
 6" = 1'-0"
 A-558



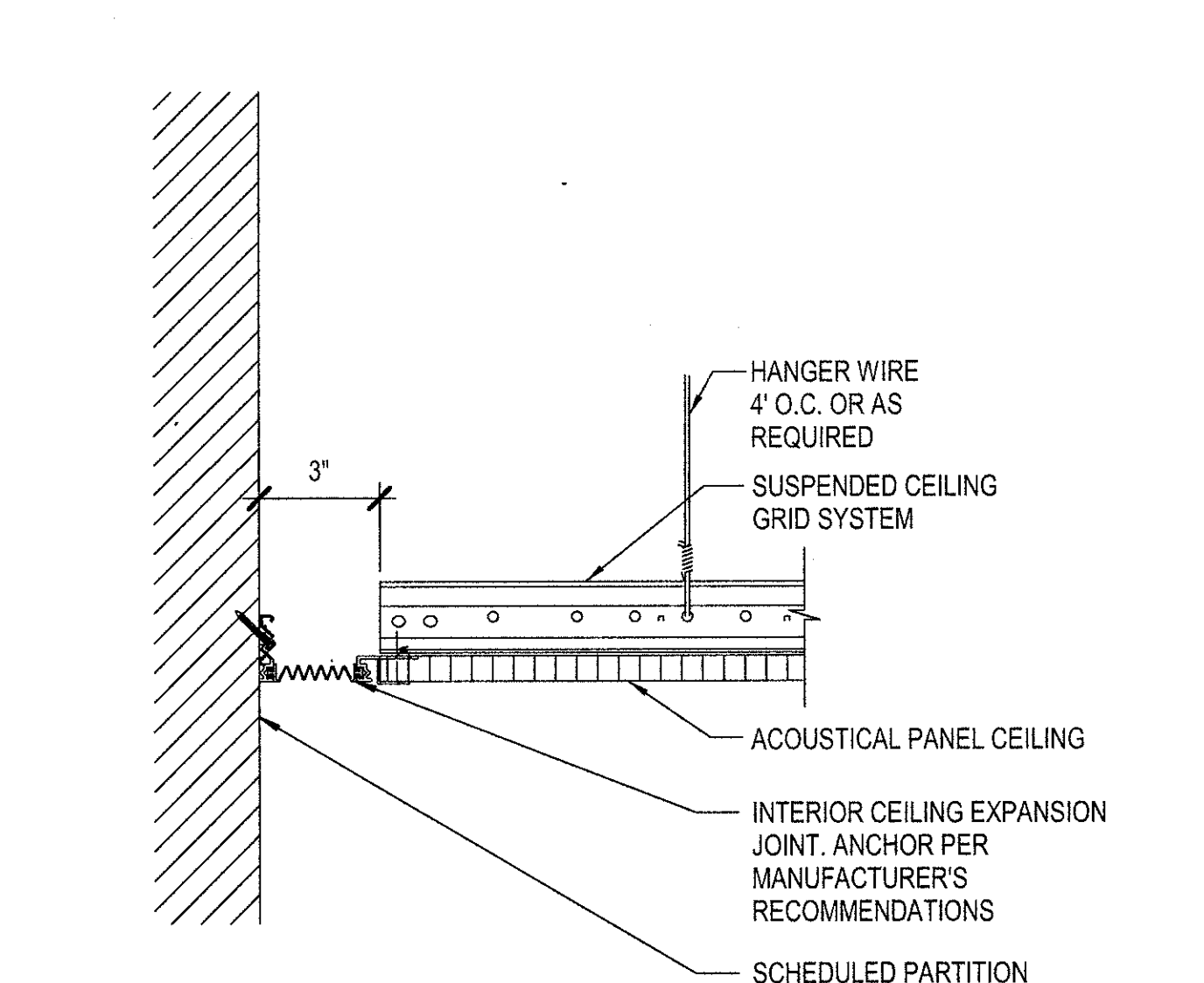
C4 CEILING TO CEILING EXPANSION JOINT DETAIL
 3" = 1'-0"
 A-115



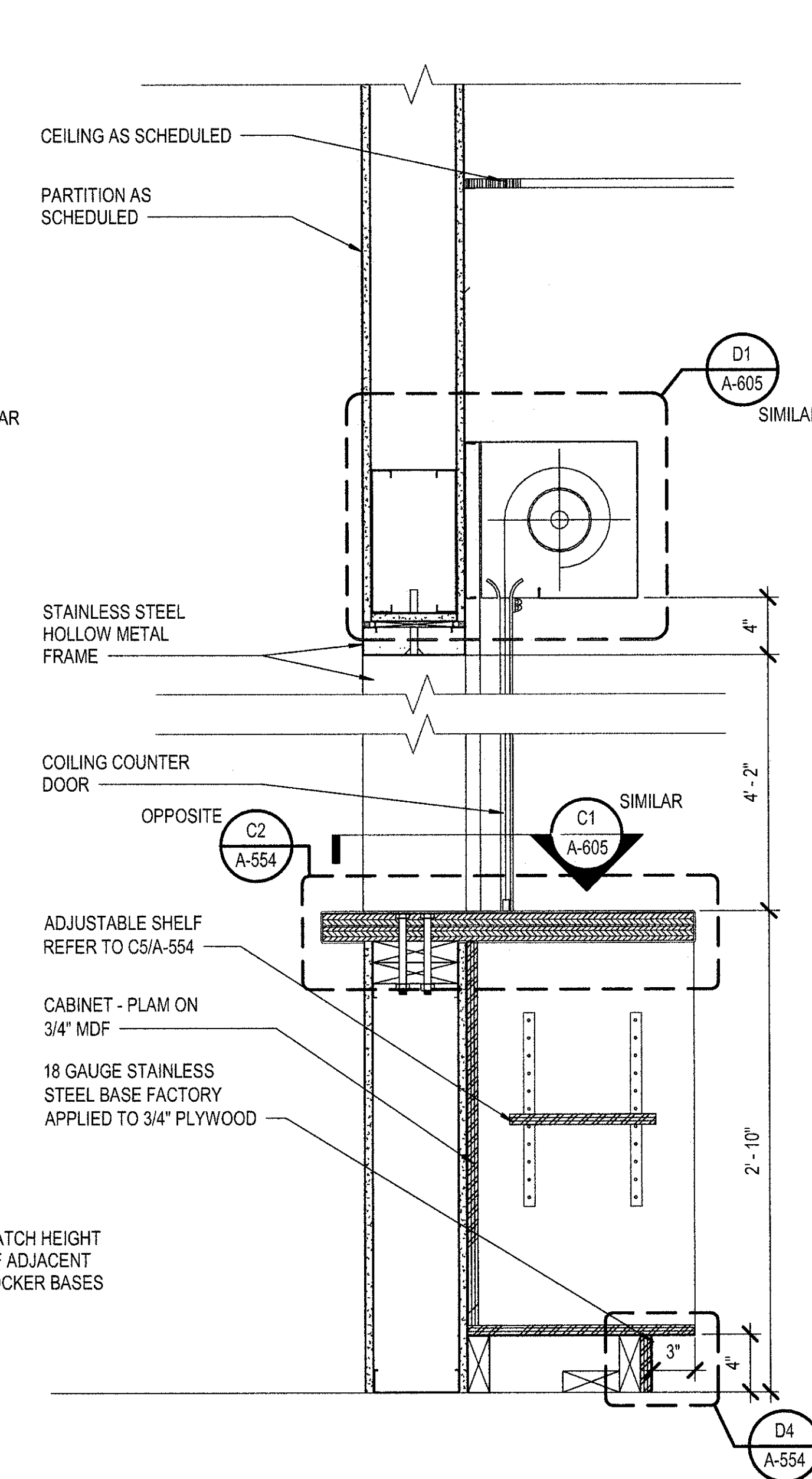
A4 ALSE COUNTER DETAIL
 1 1/2" = 1'-0"
 A-542



C5 WALL TO CEILING EXPANSION JOINT DETAIL
 3" = 1'-0"
 A-113



A2 PERIMETER BULKHEAD AT CLEANROOM DETAIL
 1" = 1'-0"
 A-115



A5 TOOL ROOM COUNTER DETAIL
 1 1/2" = 1'-0"
 A-542