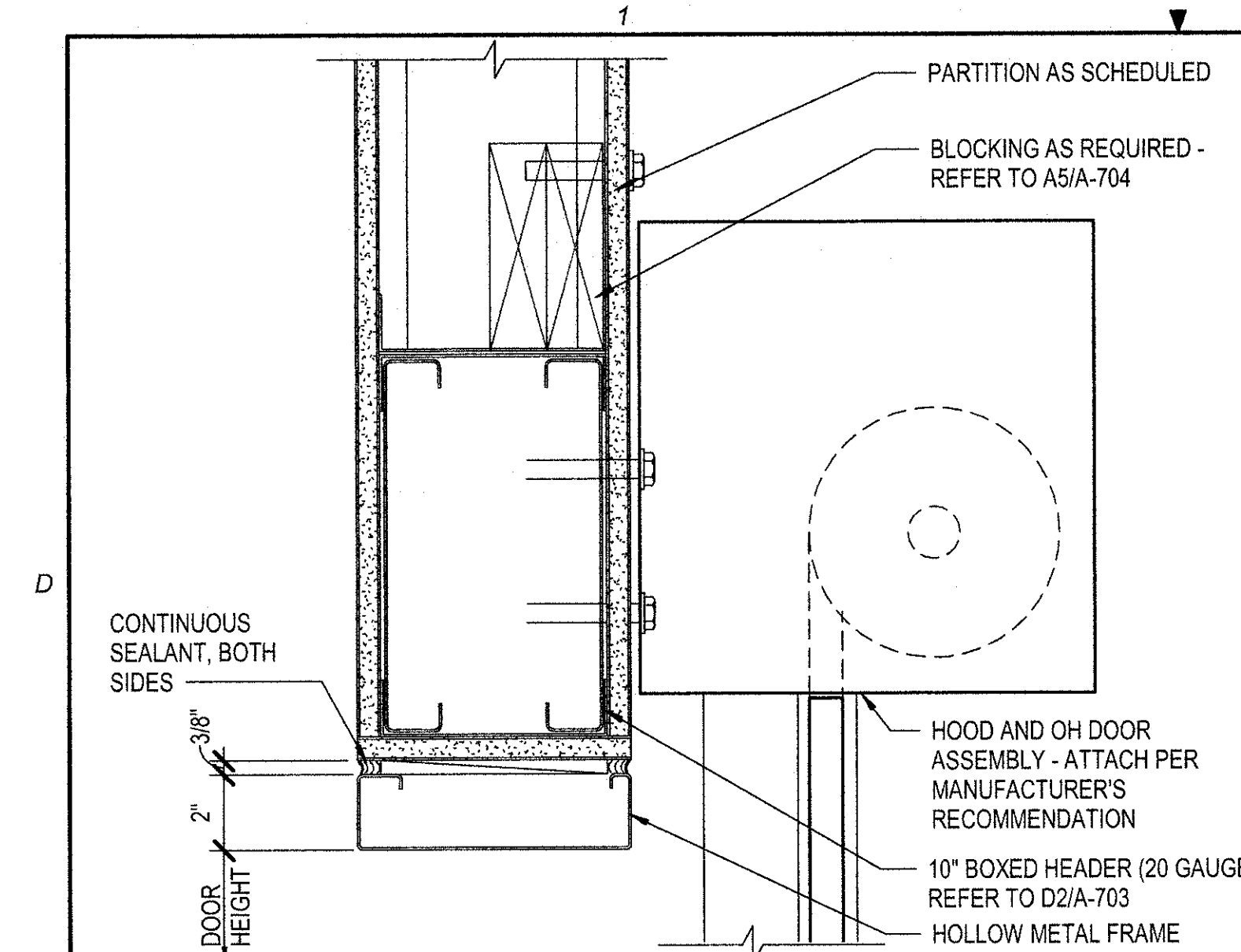


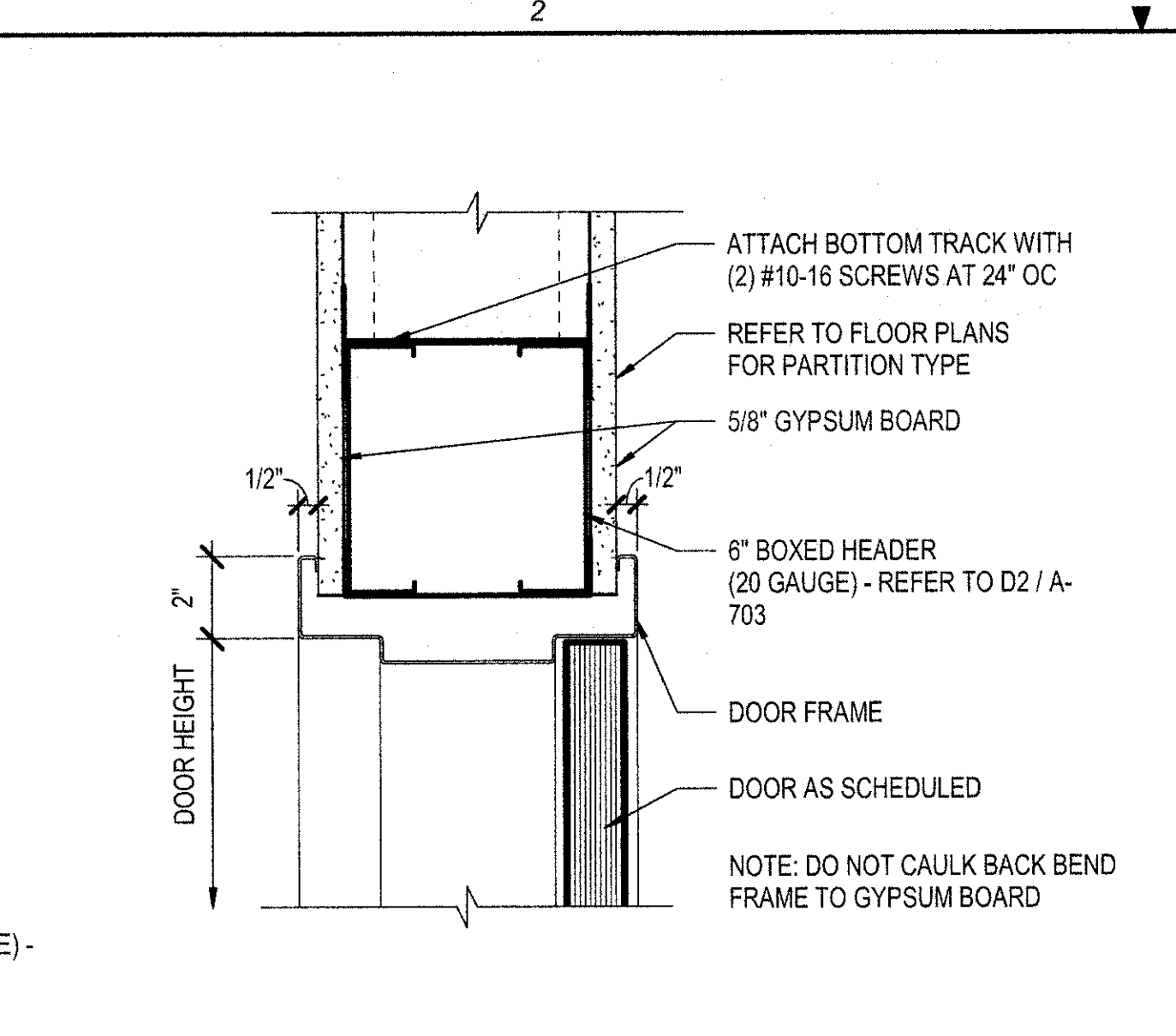
Robert A. Messel, AIA  
 Architect  
 MCH A-3930

REV	DESCRIPTION	DATE

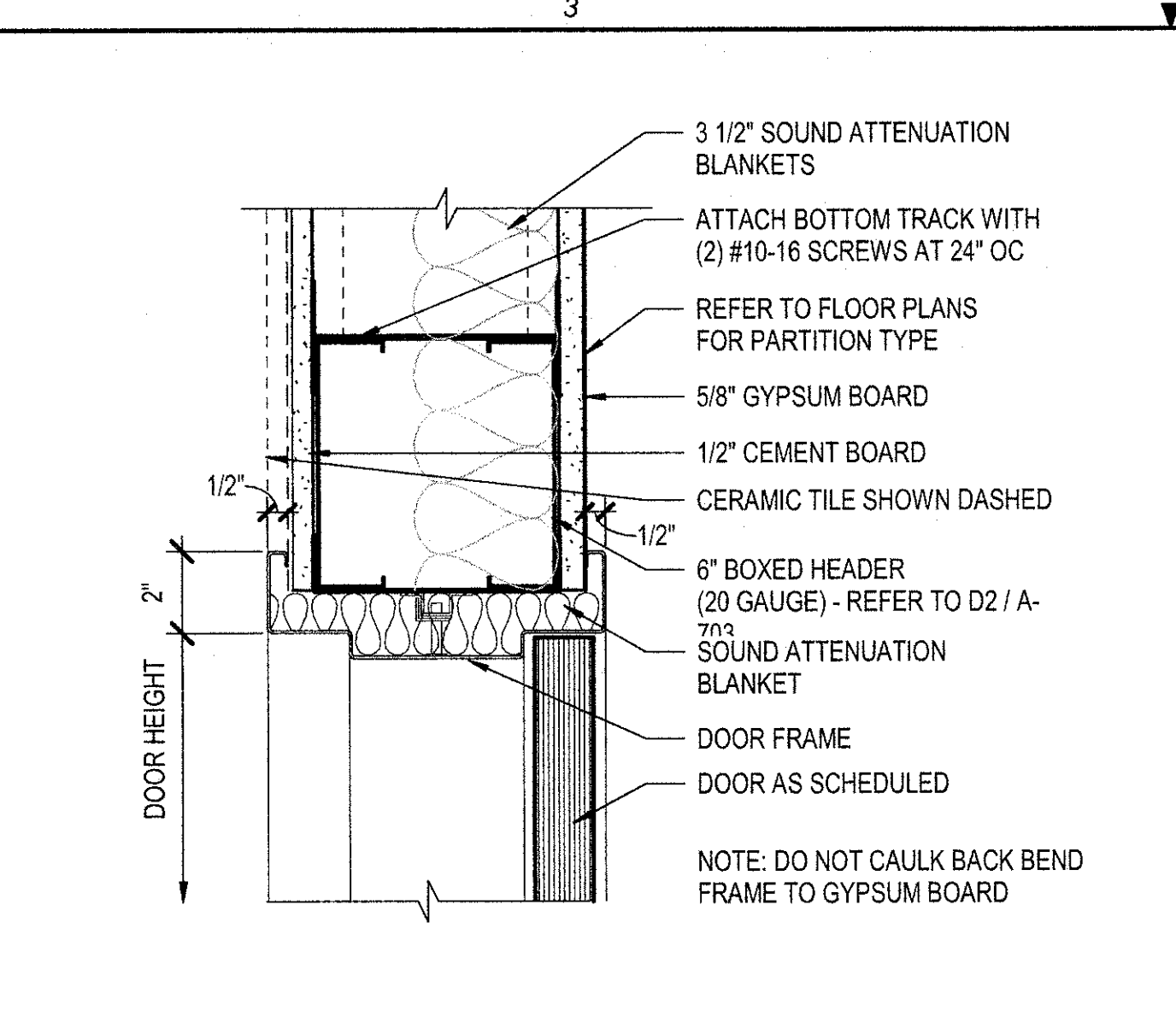
**AVCRAD PHASE 3A ADDITION**  
 1107th THEATER AVIATION SUSTAINMENT MAINTENANCE GROUP  
 MISSOURI ARMY NATIONAL GUARD  
 GREENE COUNTY  
 SPRINGFIELD, MISSOURI  
 CONTRACT NO. T1808-01  
 NATIONAL GUARD BUREAU  
 NGB PROJECT NO. 290109



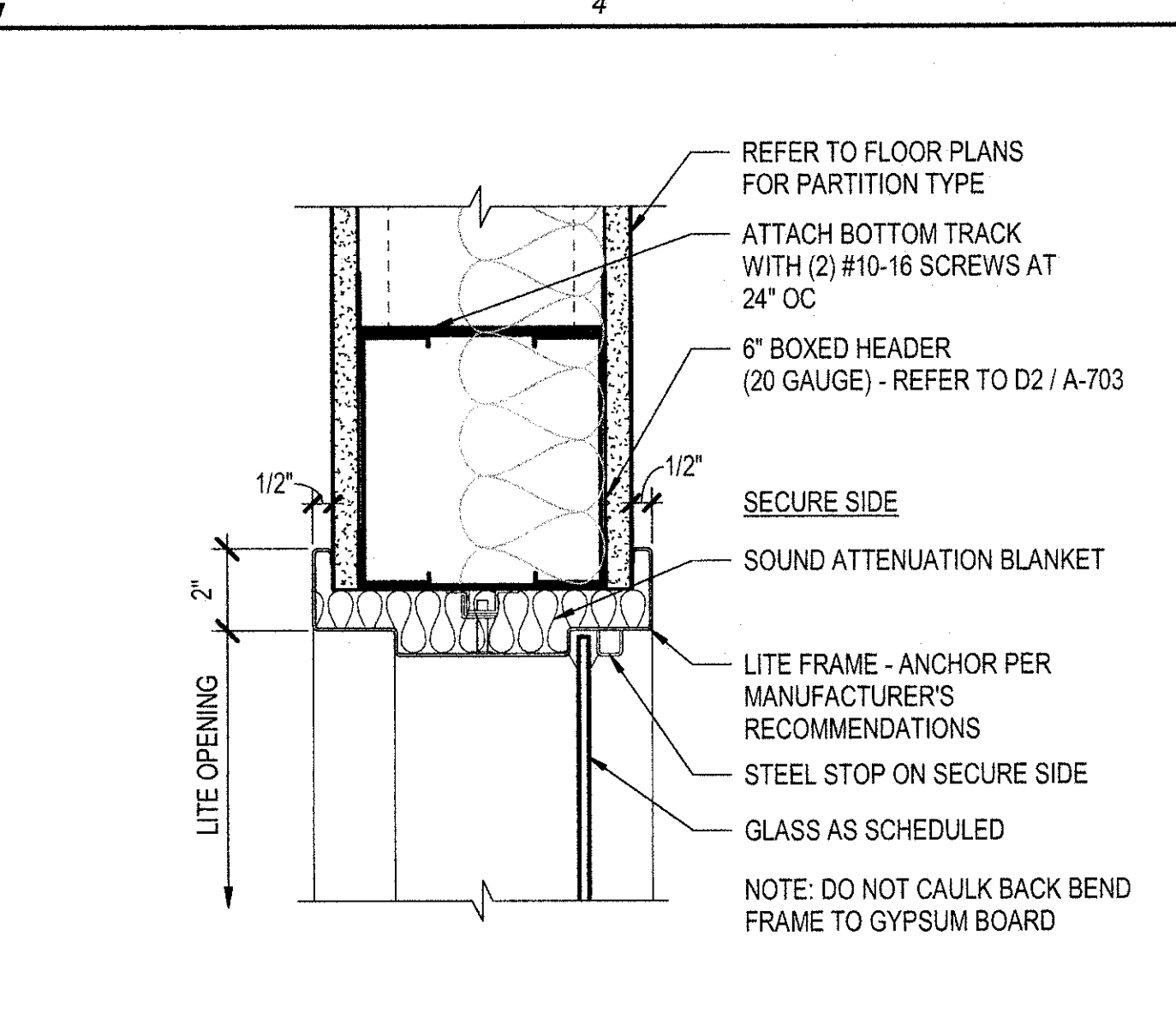
**D1 HEAD DETAIL (0A, 0B)**  
 3" = 1'-0"  
 A-603



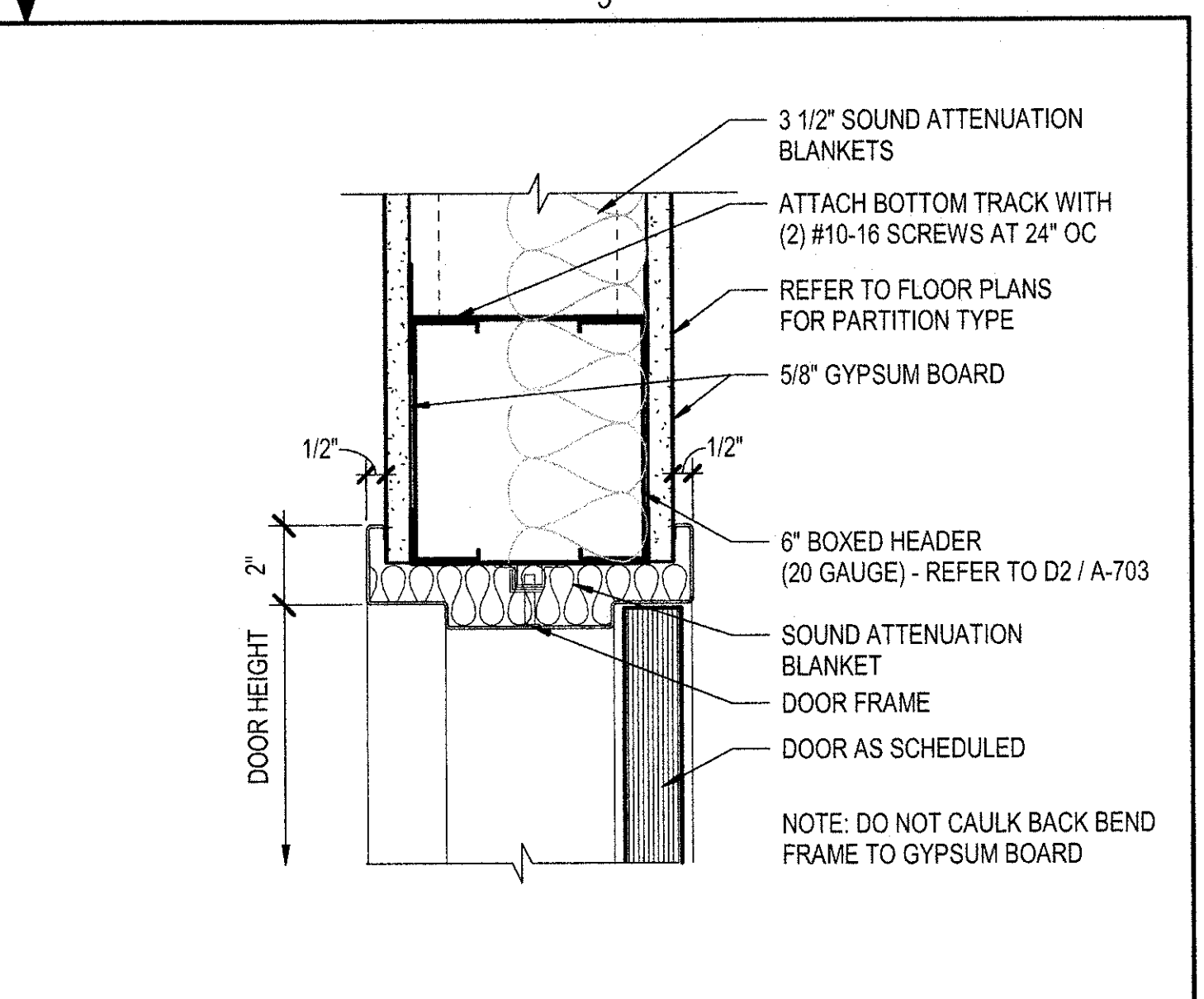
**D2 HEAD DETAIL (0B, 1B, 0D)**  
 3" = 1'-0"  
 A-603



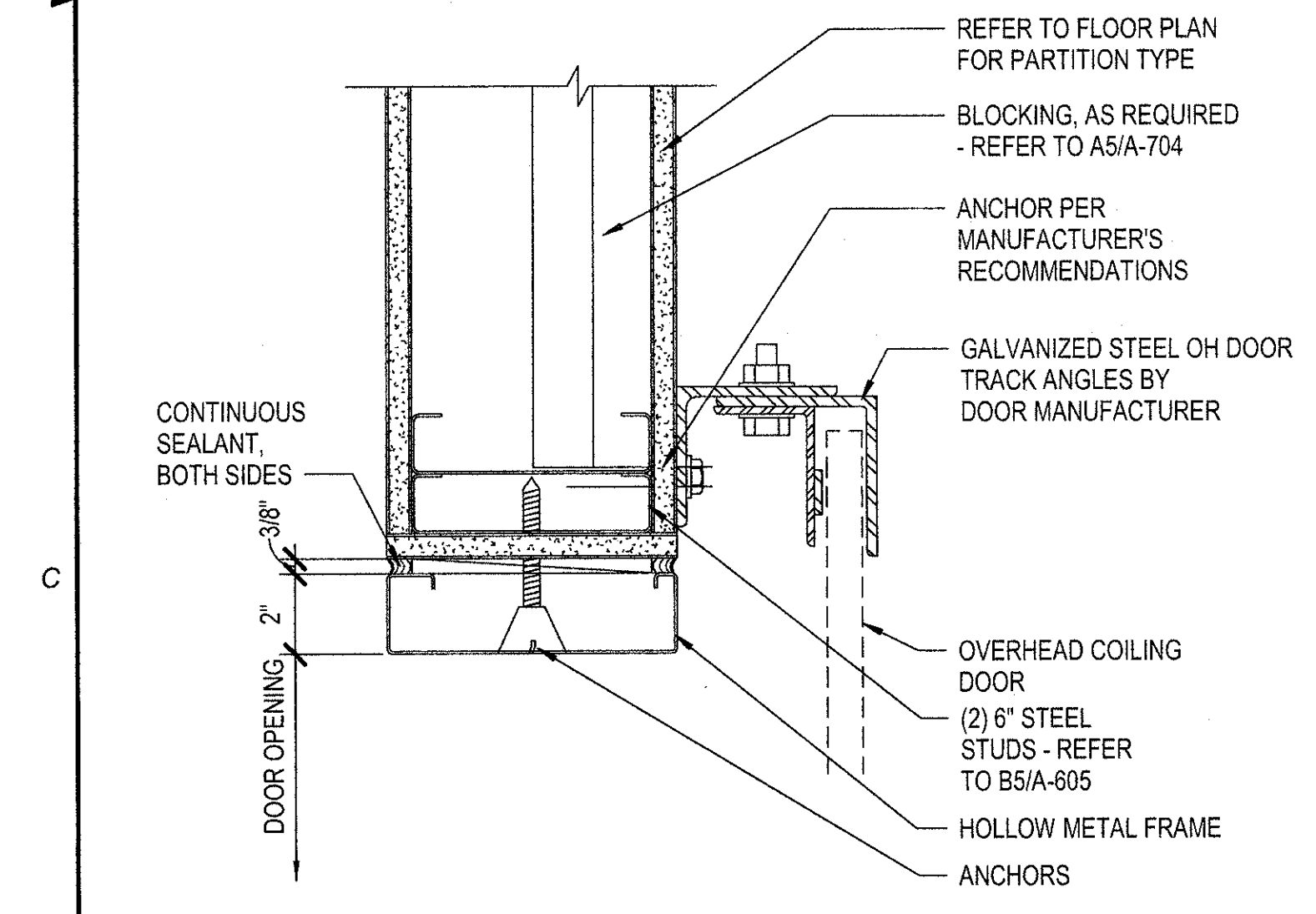
**D3 HEAD DETAIL (0G)**  
 3" = 1'-0"  
 A-603



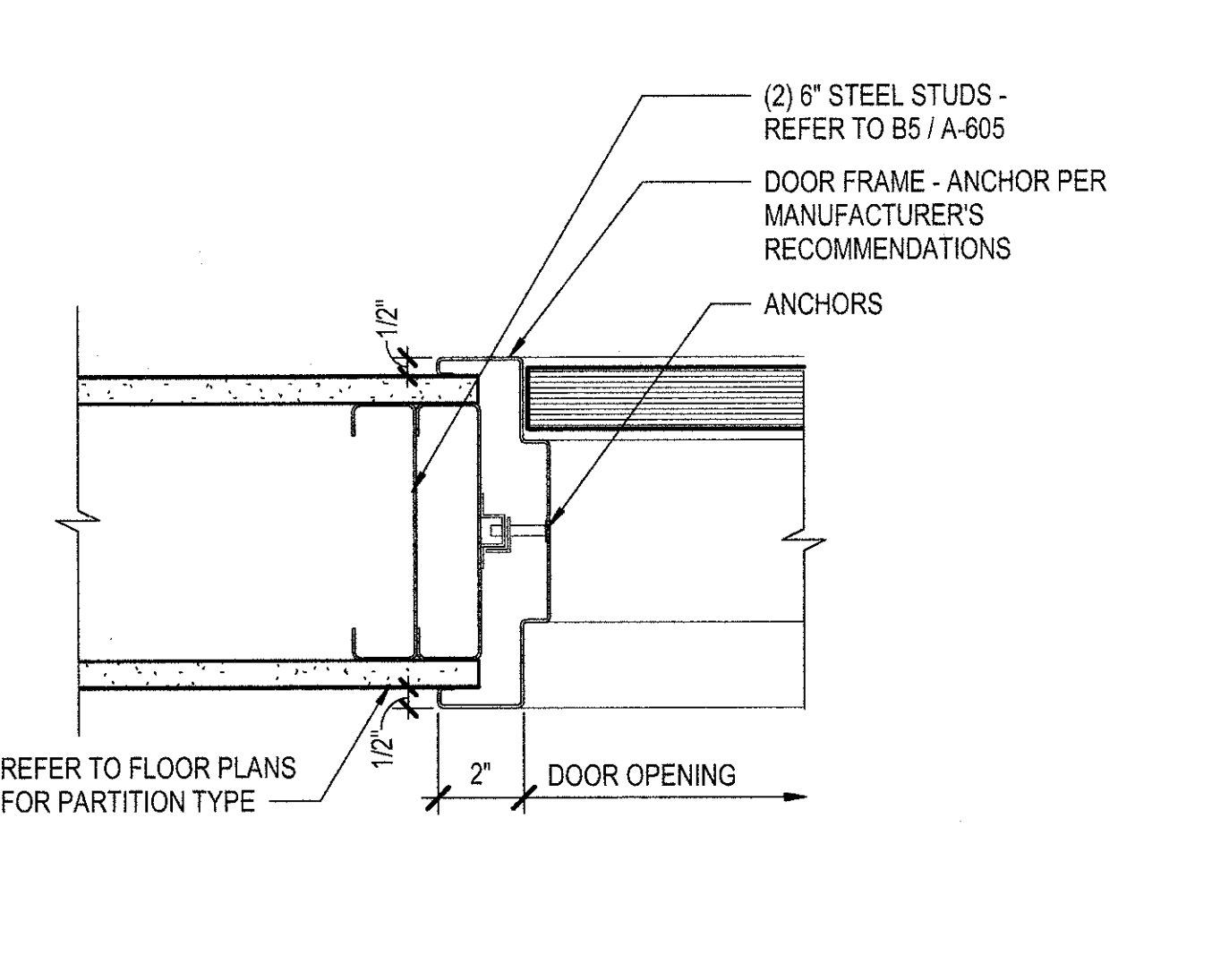
**D4 BORROW LITE HEAD DETAIL (0A, 1A, 0C)**  
 3" = 1'-0"  
 A-603



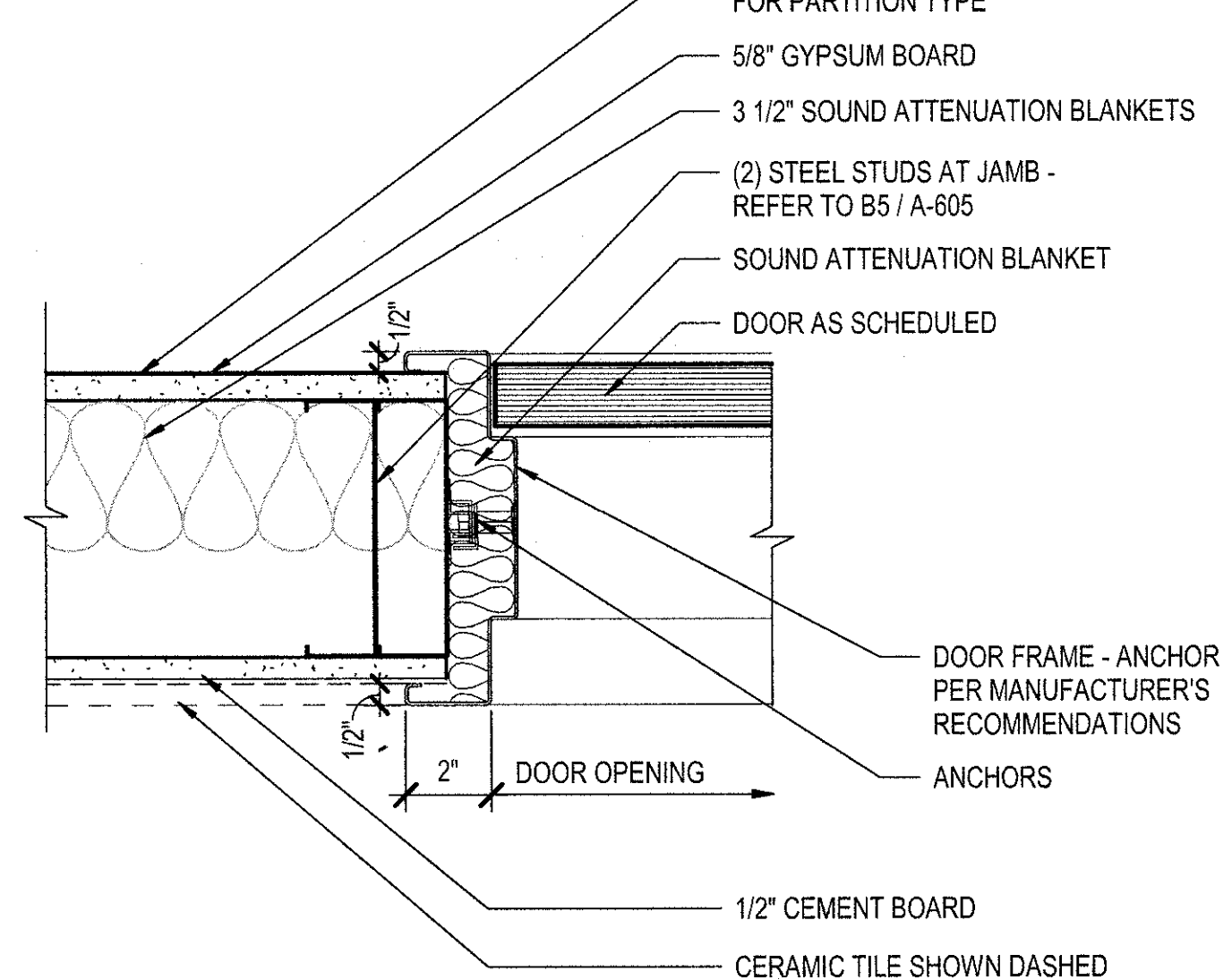
**D5 HEAD DETAIL (0A, 1A)**  
 3" = 1'-0"  
 A-603



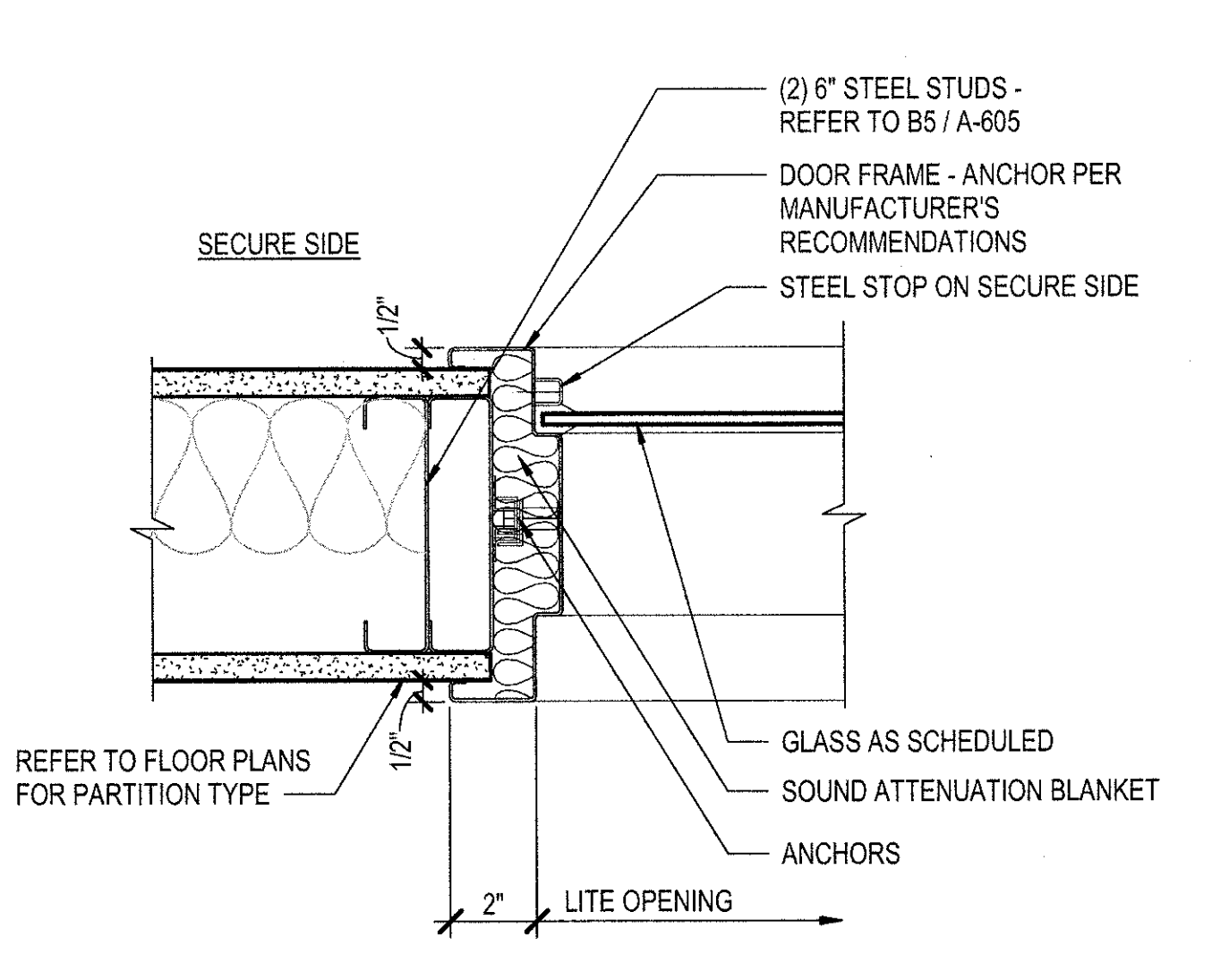
**C1 JAMB DETAIL (0A, 0B)**  
 3" = 1'-0"  
 A-603



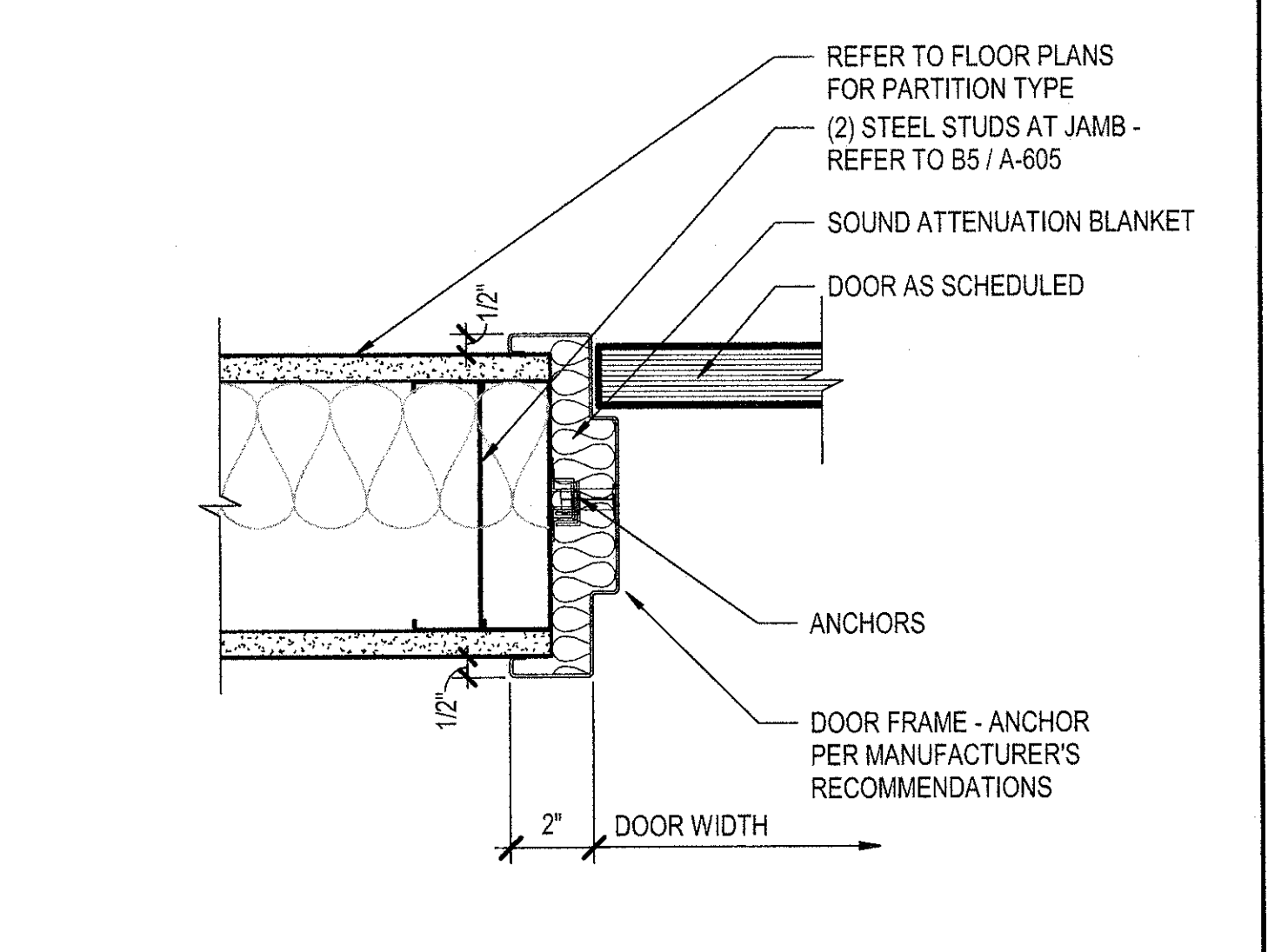
**C2 JAMB DETAIL (0B, 1B, 0D)**  
 3" = 1'-0"  
 A-603



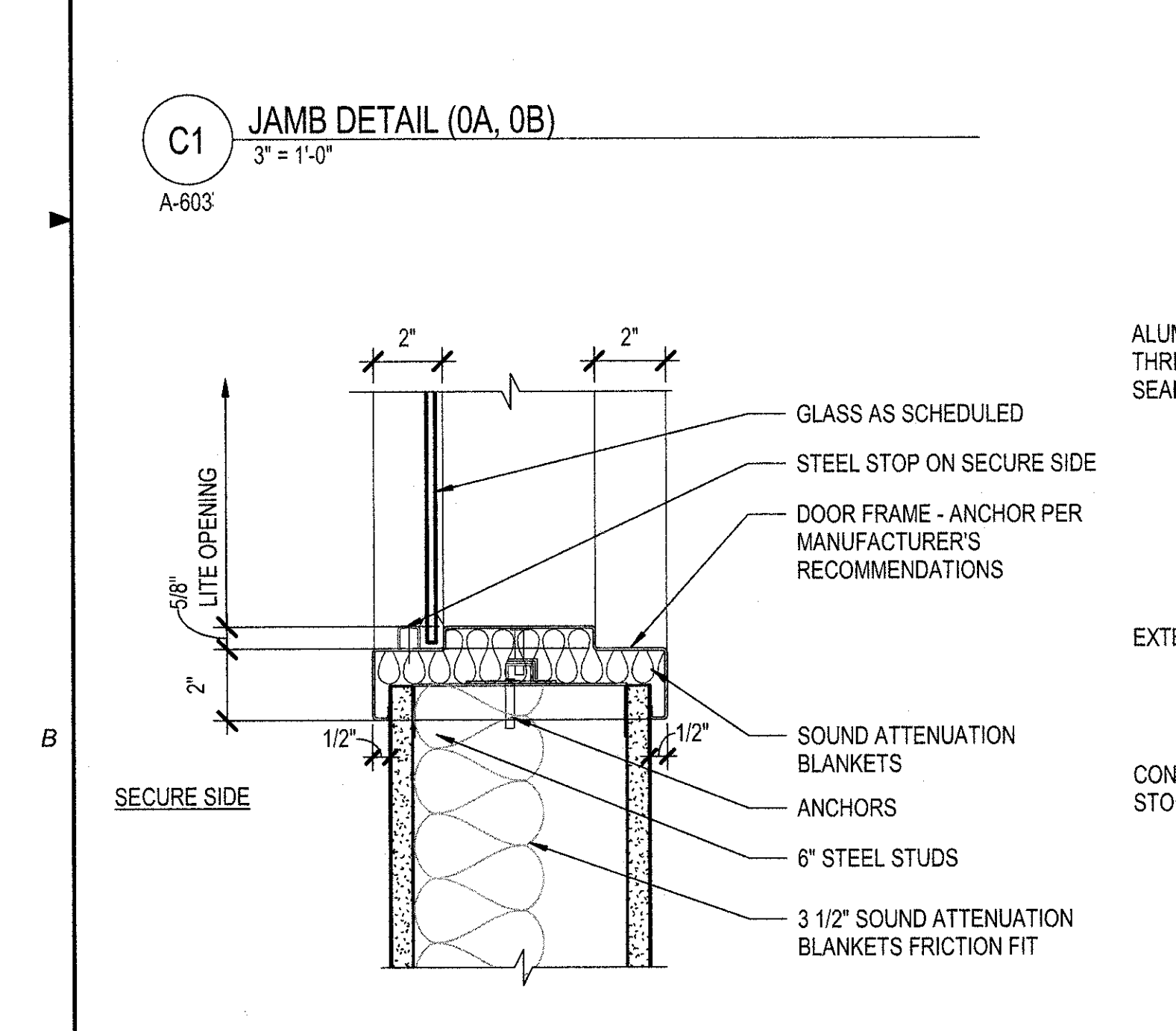
**C3 JAMB DETAIL (0G)**  
 3" = 1'-0"  
 A-603



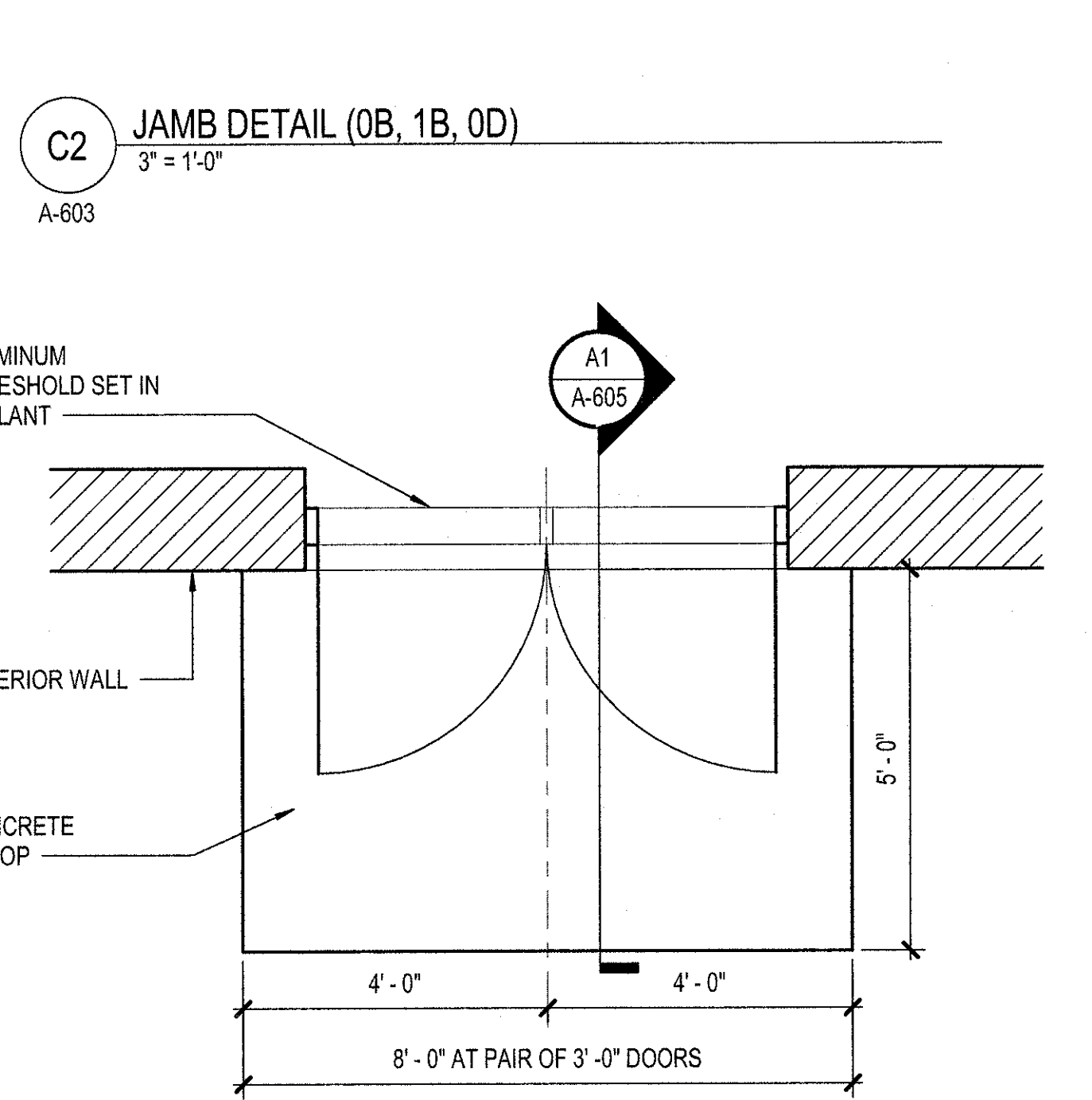
**C4 BORROW LITE JAMB DETAIL (0A, 1A, 0C)**  
 3" = 1'-0"  
 A-603



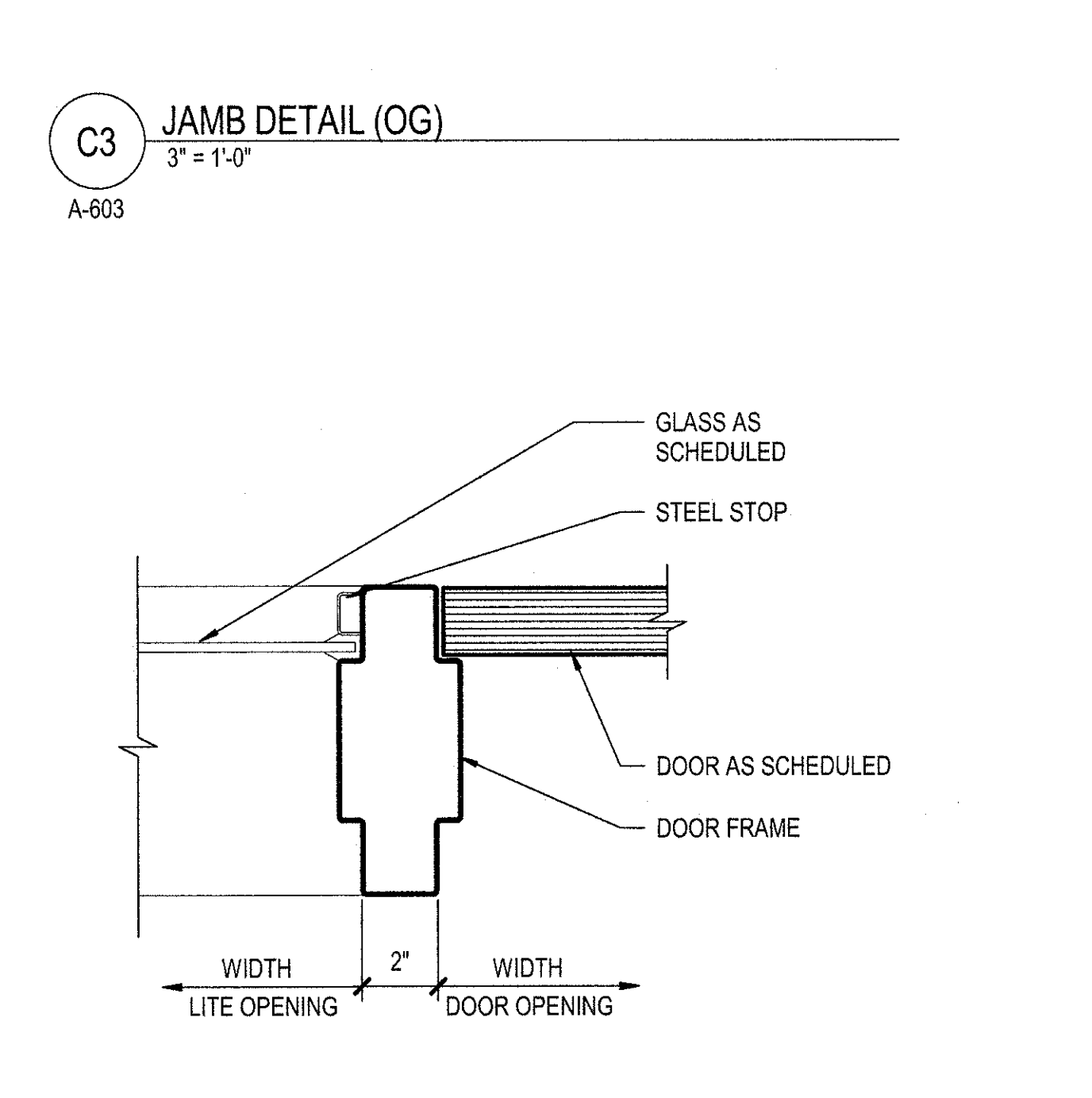
**C5 JAMB DETAIL (0A, 1A)**  
 3" = 1'-0"  
 A-603



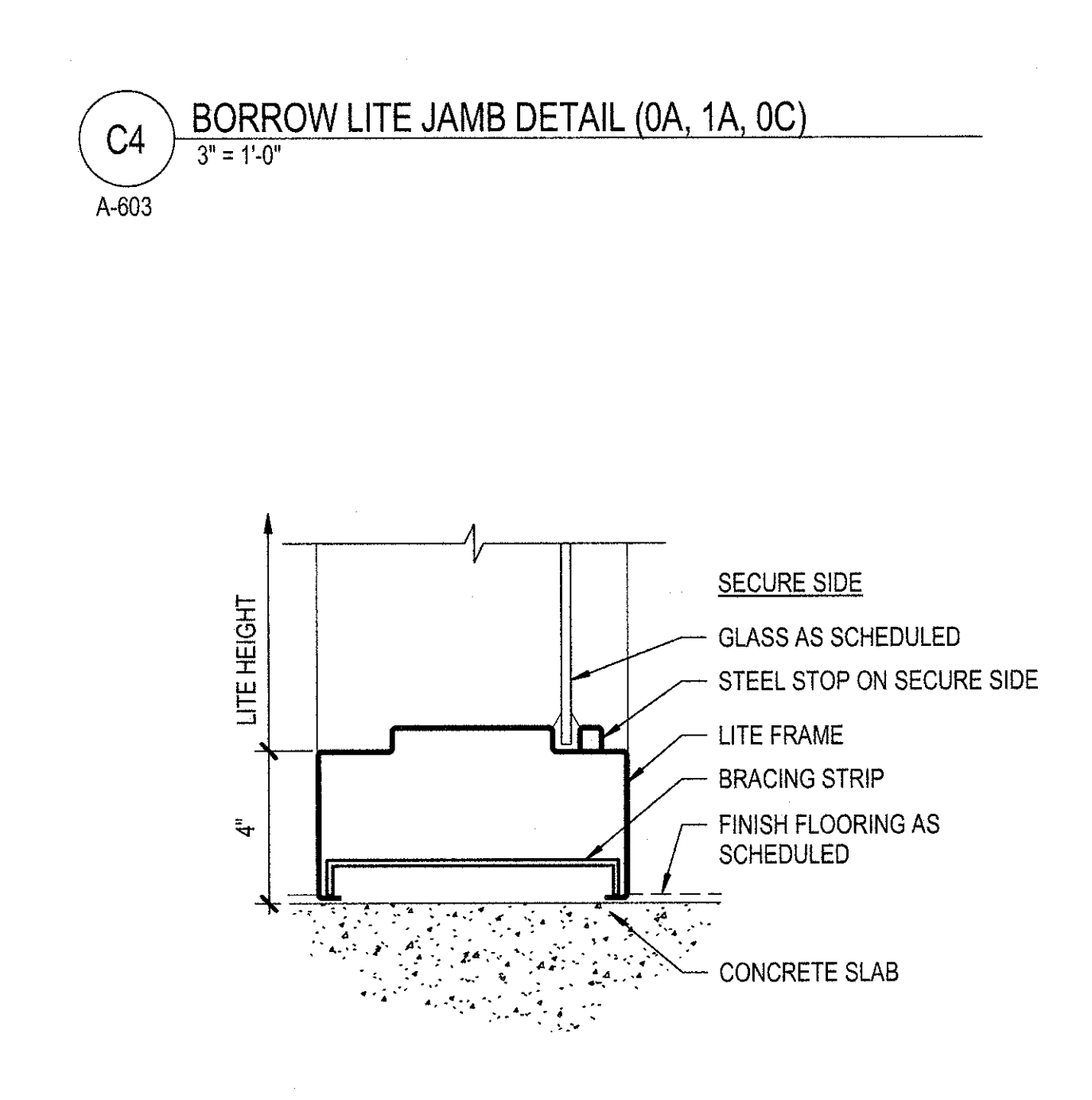
**B1 BORROW LITE SILL DETAIL (0A)**  
 3" = 1'-0"  
 A-603



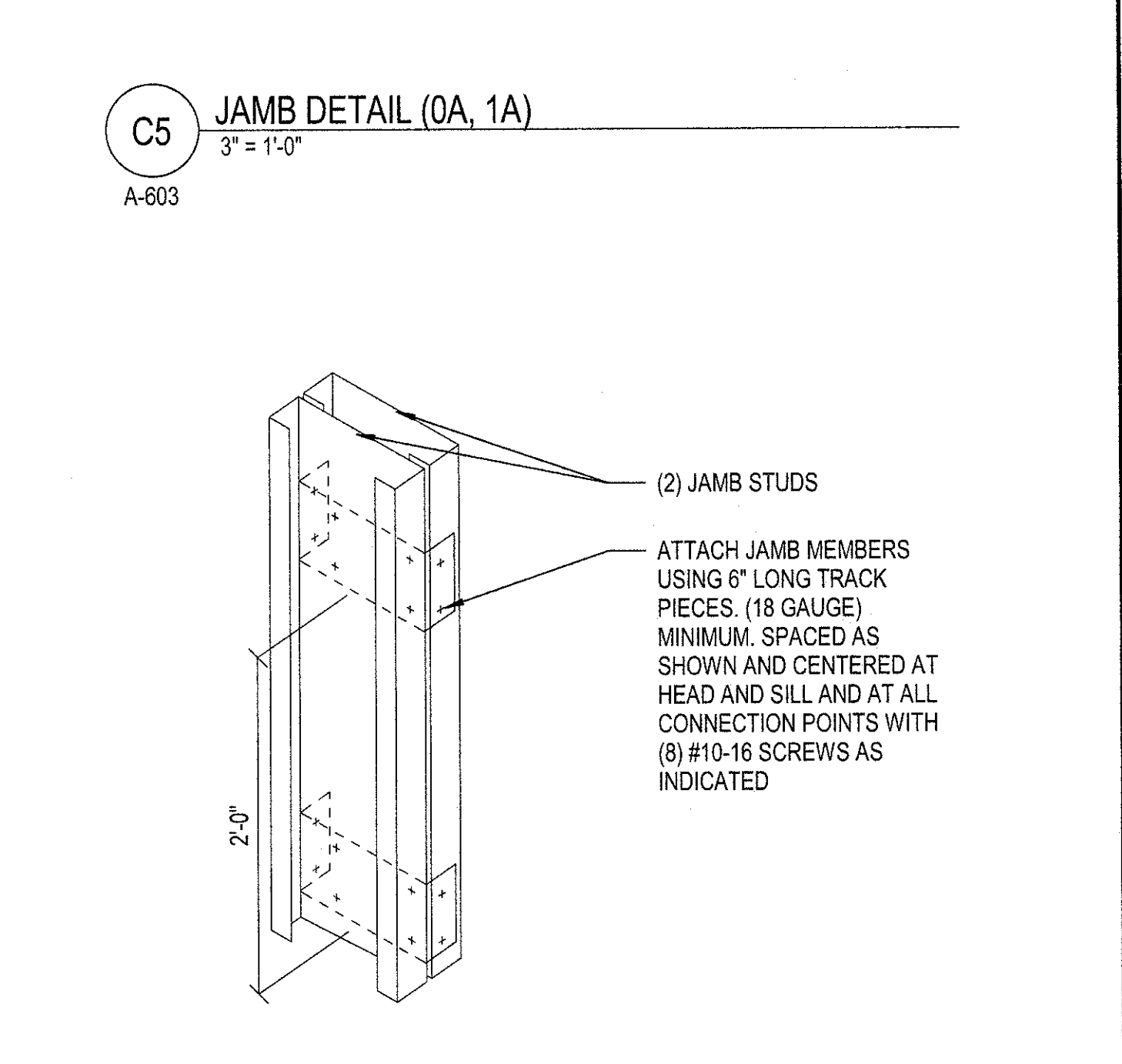
**B2 TYPICAL CONCRETE STOOP**  
 1/2" = 1'-0"  
 A-603



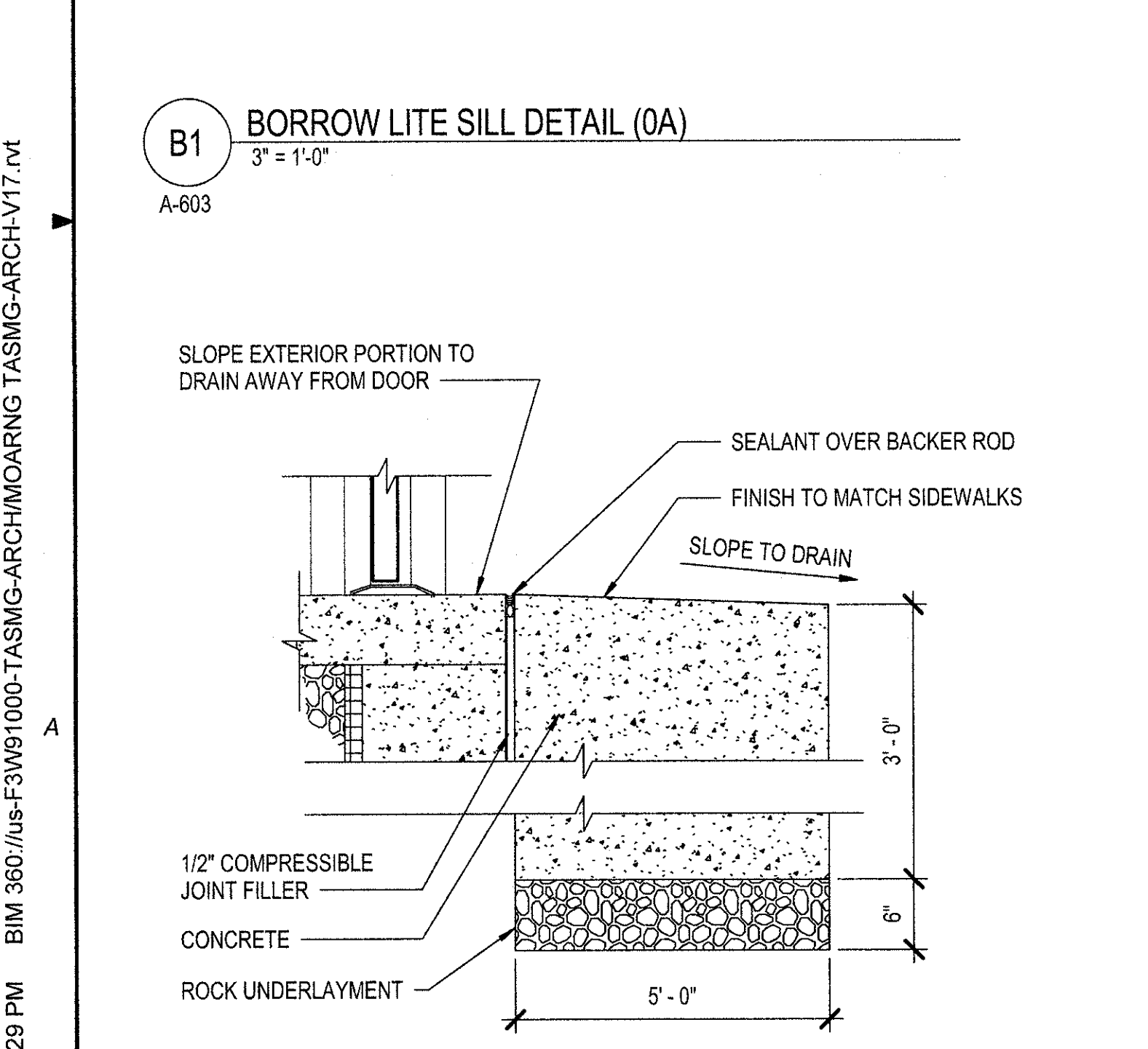
**B3 JAMB DETAIL**  
 3" = 1'-0"  
 A-603



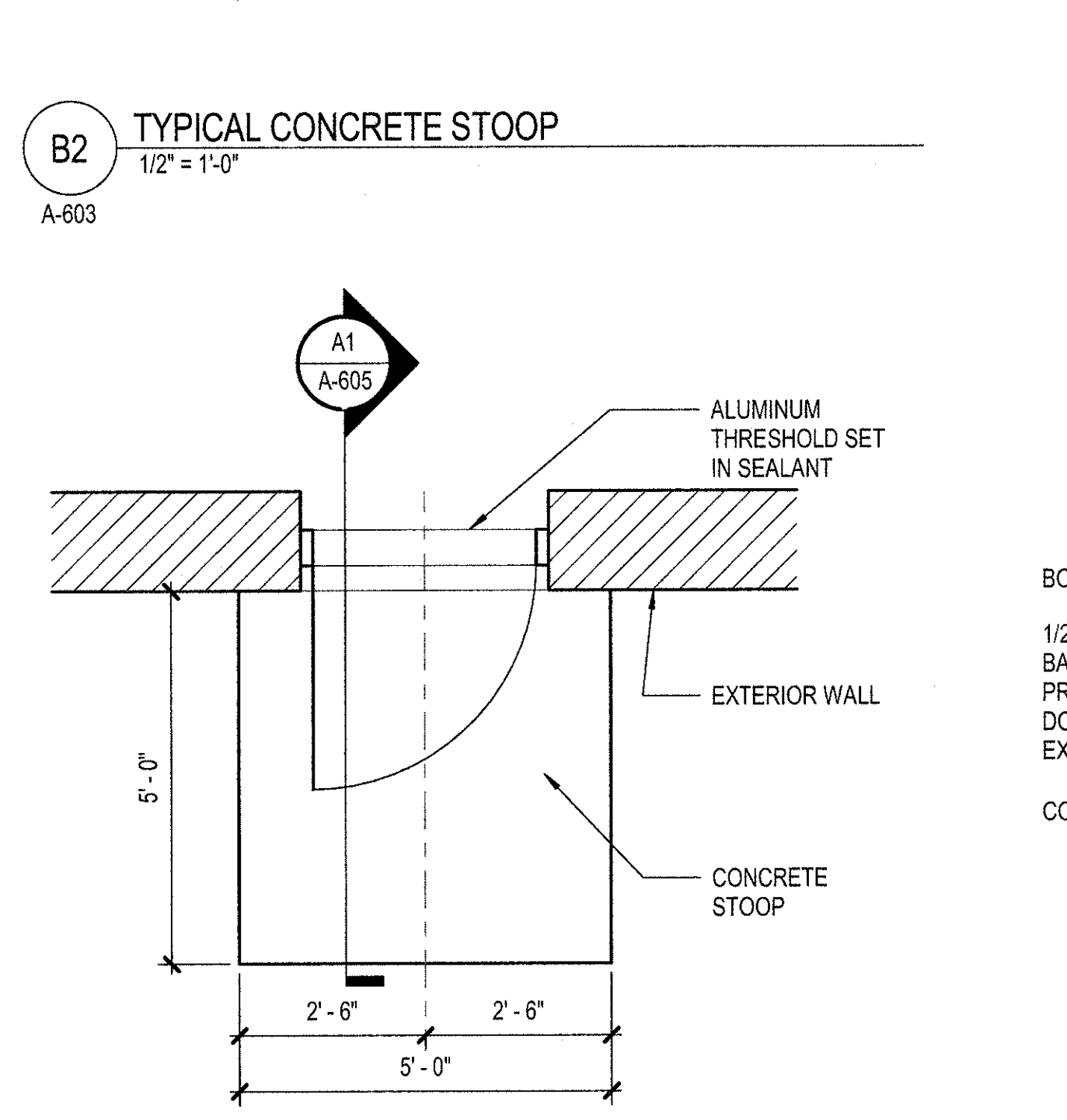
**B4 BORROW LITE SILL DETAIL**  
 3" = 1'-0"  
 A-603



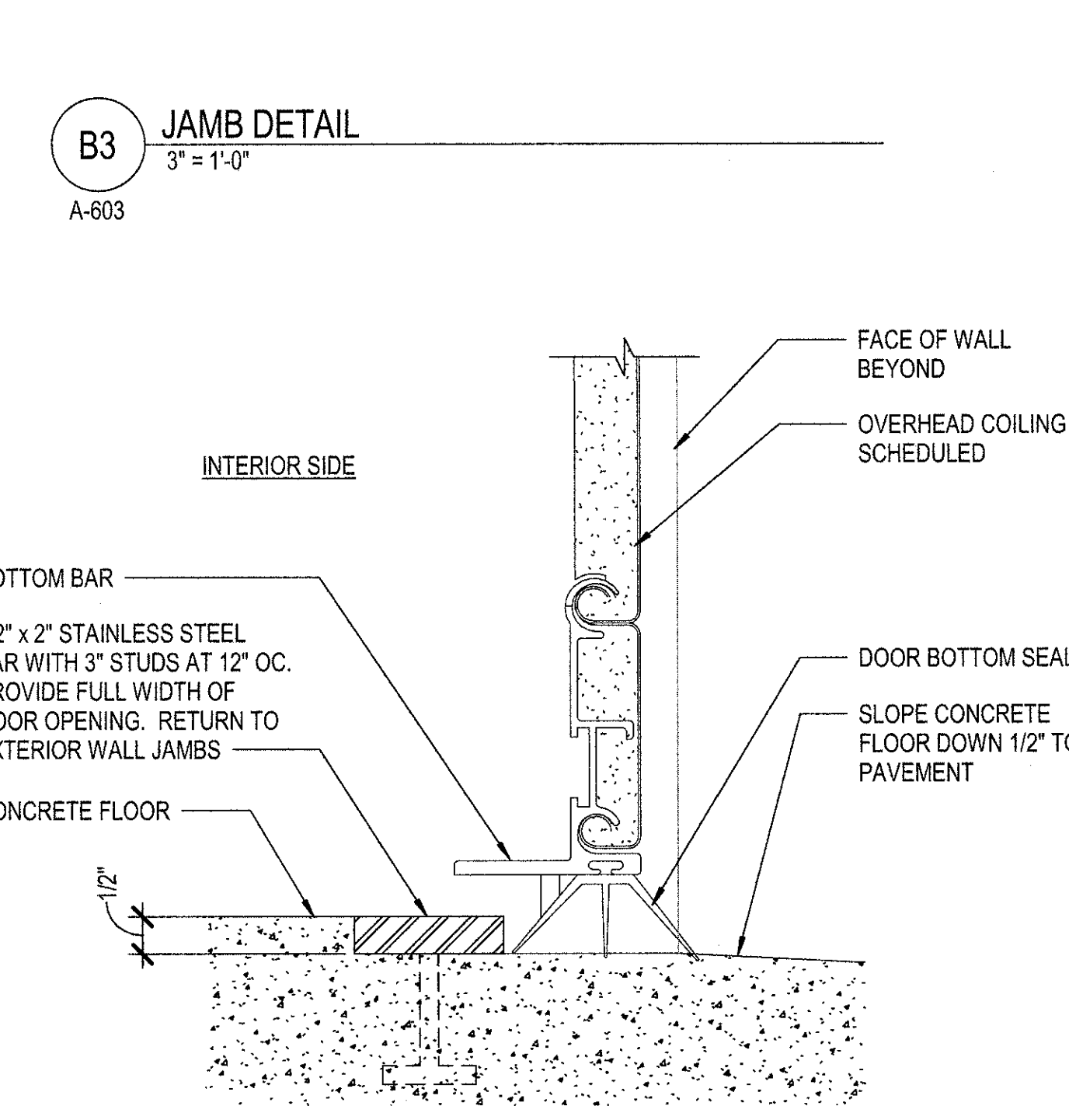
**B5 INTERIOR JAMB ASSEMBLY DETAIL**  
 NOT TO SCALE  
 A-603



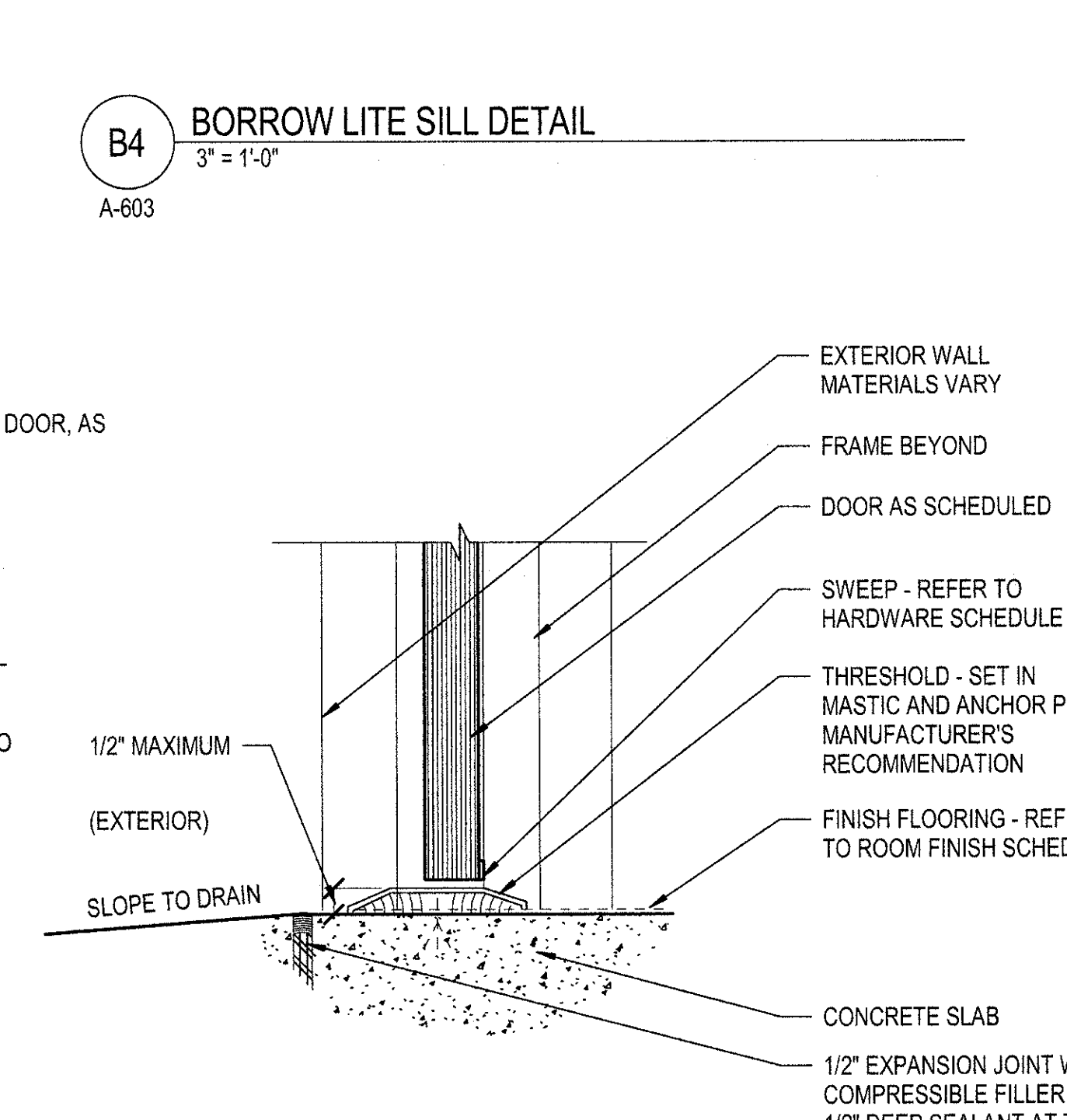
**A1 STOOP DETAIL**  
 NOT TO SCALE  
 A-603



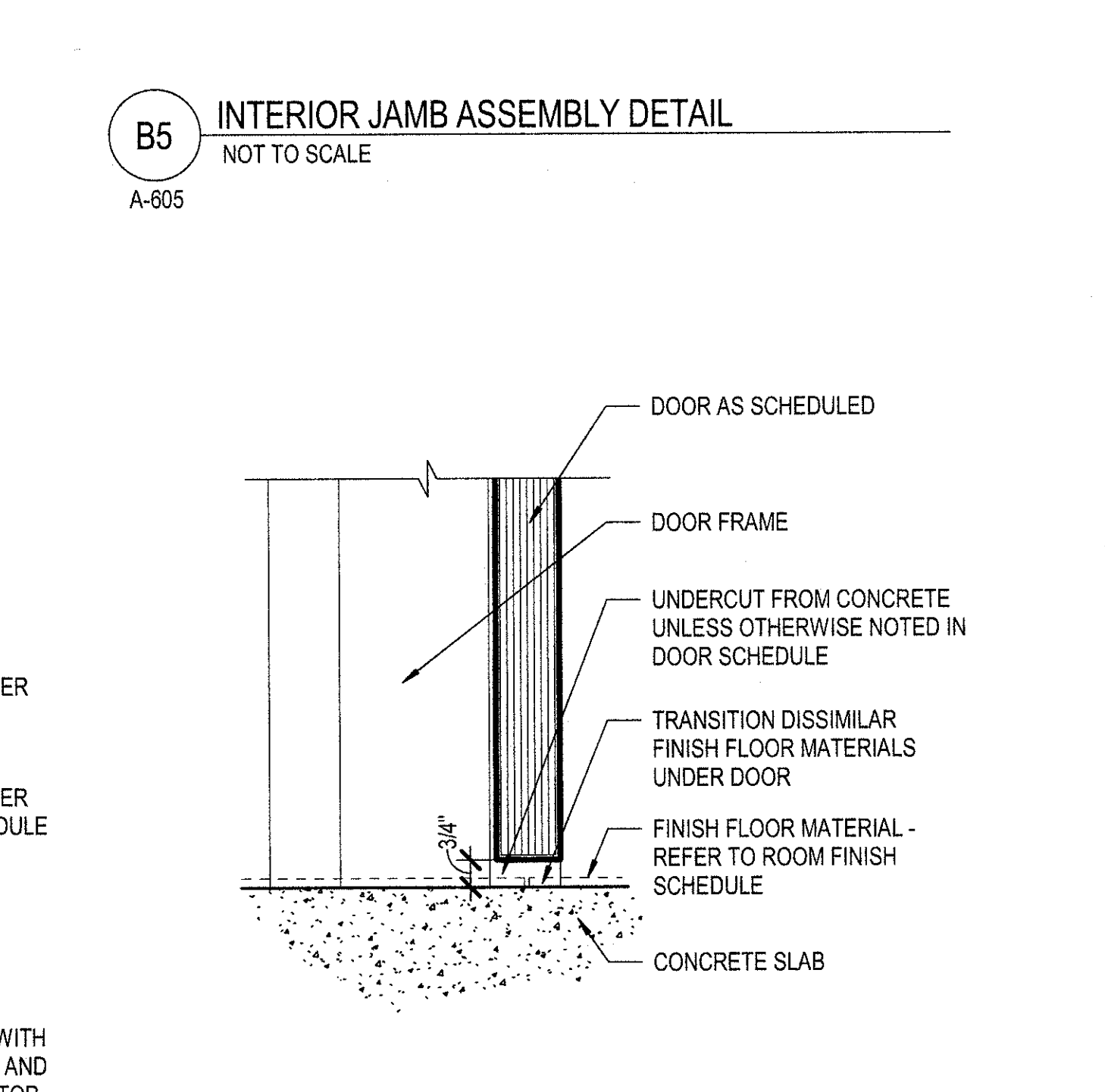
**A2 TYPICAL CONCRETE STOOP**  
 1/2" = 1'-0"  
 A-603



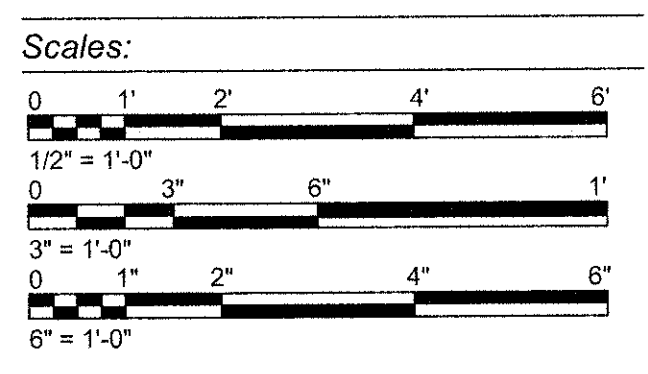
**A3 SILL DETAIL**  
 6" = 1'-0"  
 A-603



**A4 SILL DETAIL**  
 3" = 1'-0"  
 A-603



**A5 SILL DETAIL**  
 3" = 1'-0"  
 A-603



Project No.: T1808-01  
 Drawing Title: ARCHITECTURAL DOOR DETAILS  
 Date: 29 JUNE 2018  
 Designed: AT  
 Drawn: NF  
 Checked: RY  
 Drawing No.: A-605  
 172 of 322

JACOBS PROJECT NO. F3W91001  
 BIM: 3607/us-F3W91001-TASMG-ARCH-MORNING TASMG-ARCH-V17.rvt  
 7/30/2018 12:06:29 PM