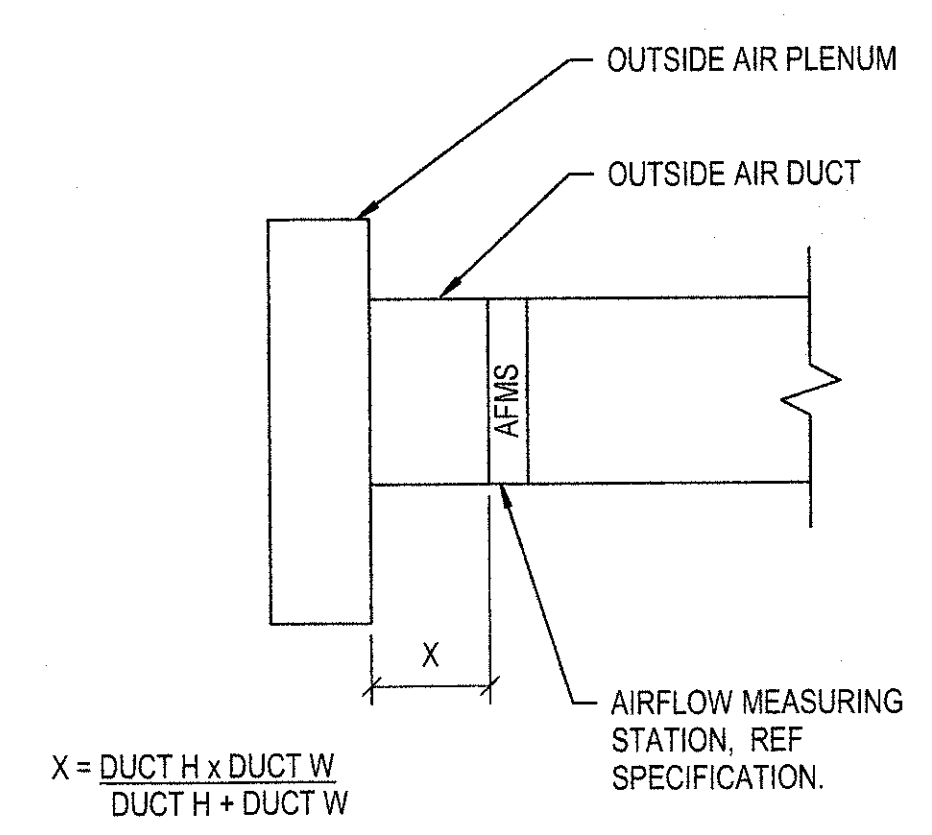


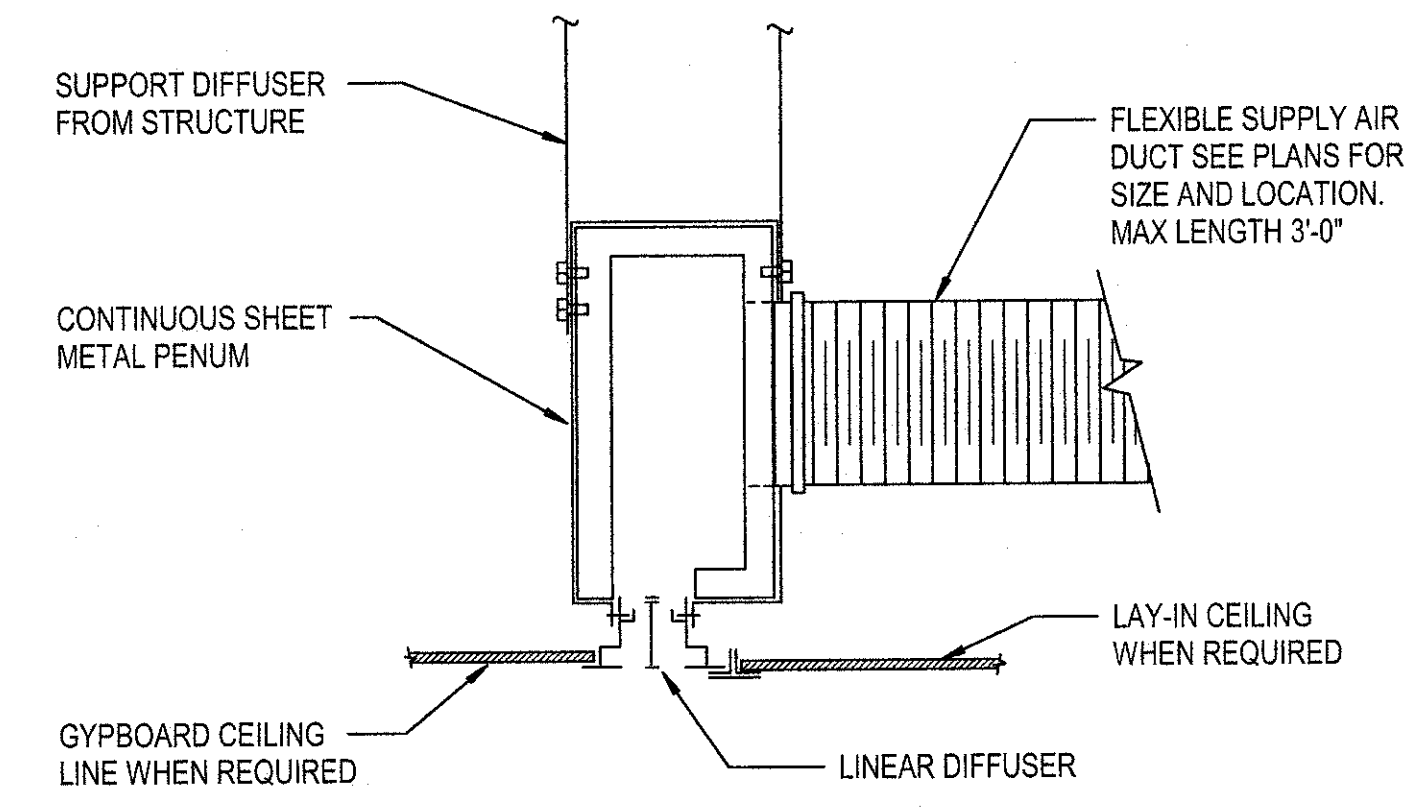
James W. Moler, PE
Mechanical
MO# E-22110

REV	DESCRIPTION	DATE

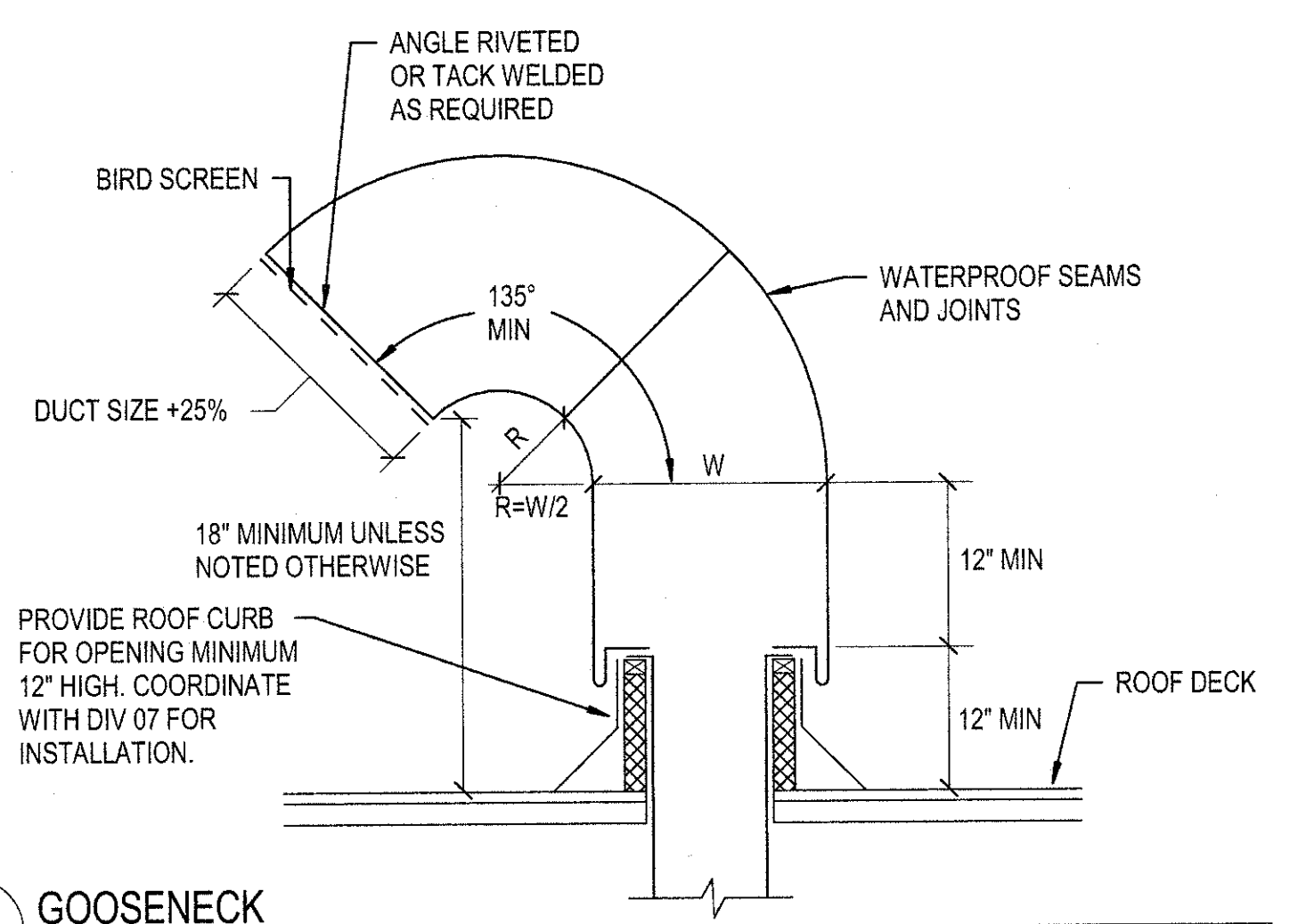
AVCRAD PHASE 3A ADDITION
 1107th THEATER AVIATION SUSTAINMENT MAINTENANCE GROUP
 MISSOURI ARMY NATIONAL GUARD
 GREENE COUNTY
 SPRINGFIELD, MISSOURI
 CONTRACT NO. T1808-01
 NATIONAL GUARD BUREAU
 NGB PROJECT NO. 290109



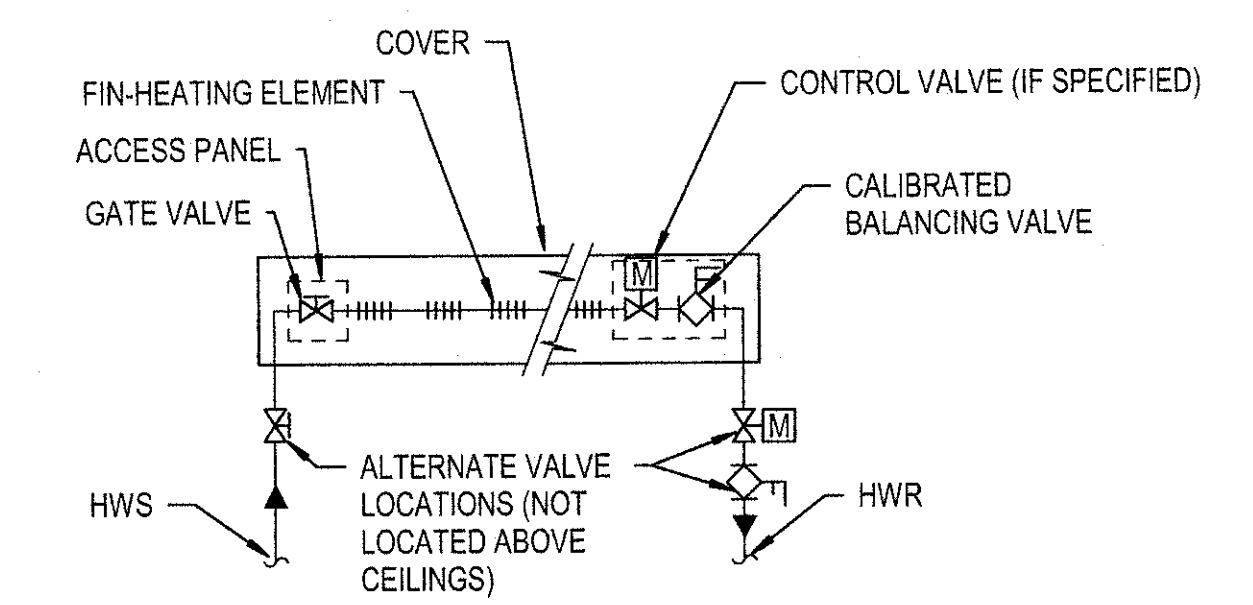
D1 AIRFLOW MEASURING STATION DETAIL
NOT TO SCALE



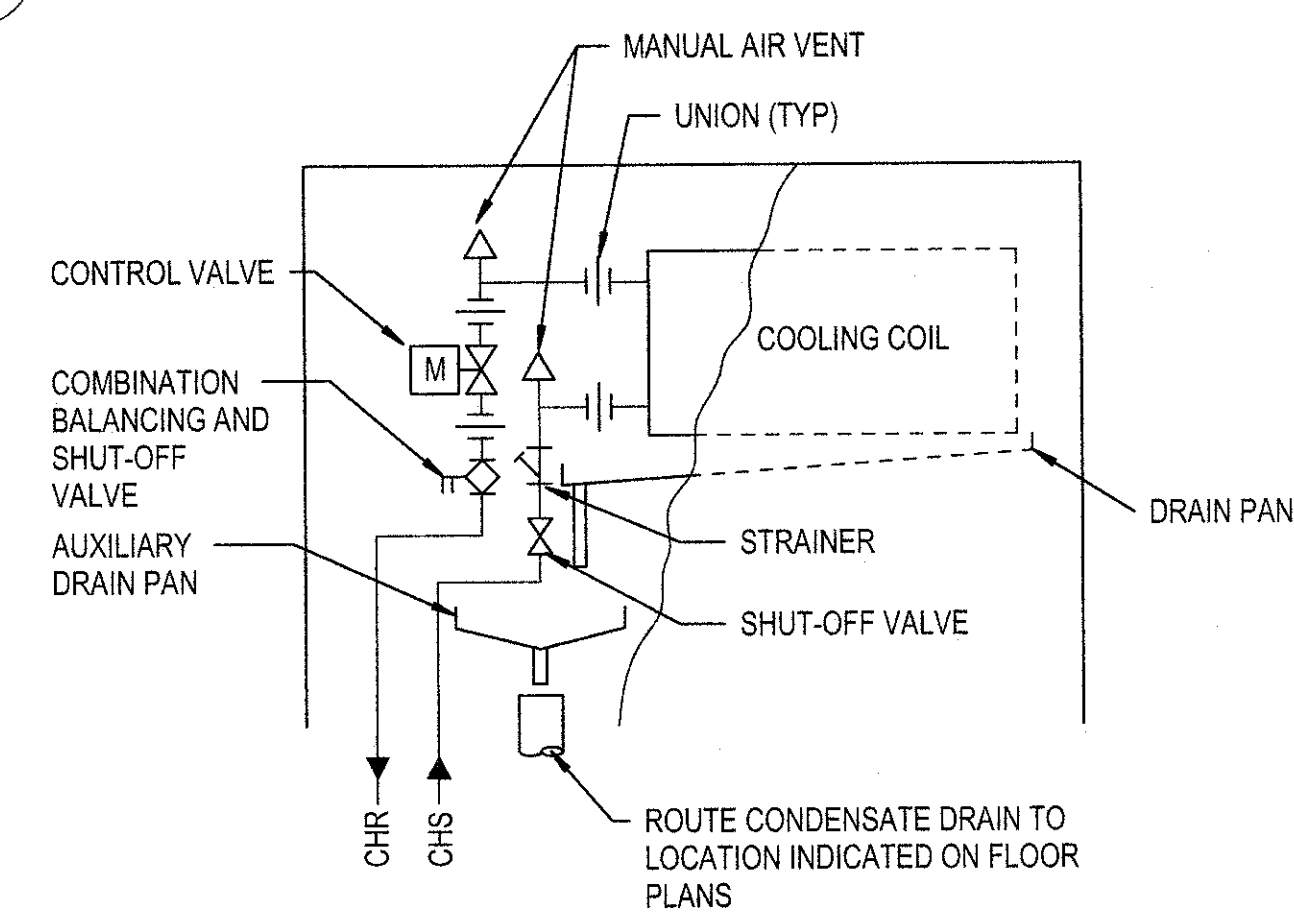
C1 LINEAR DIFFUSER AND PLENUM DETAIL
NOT TO SCALE



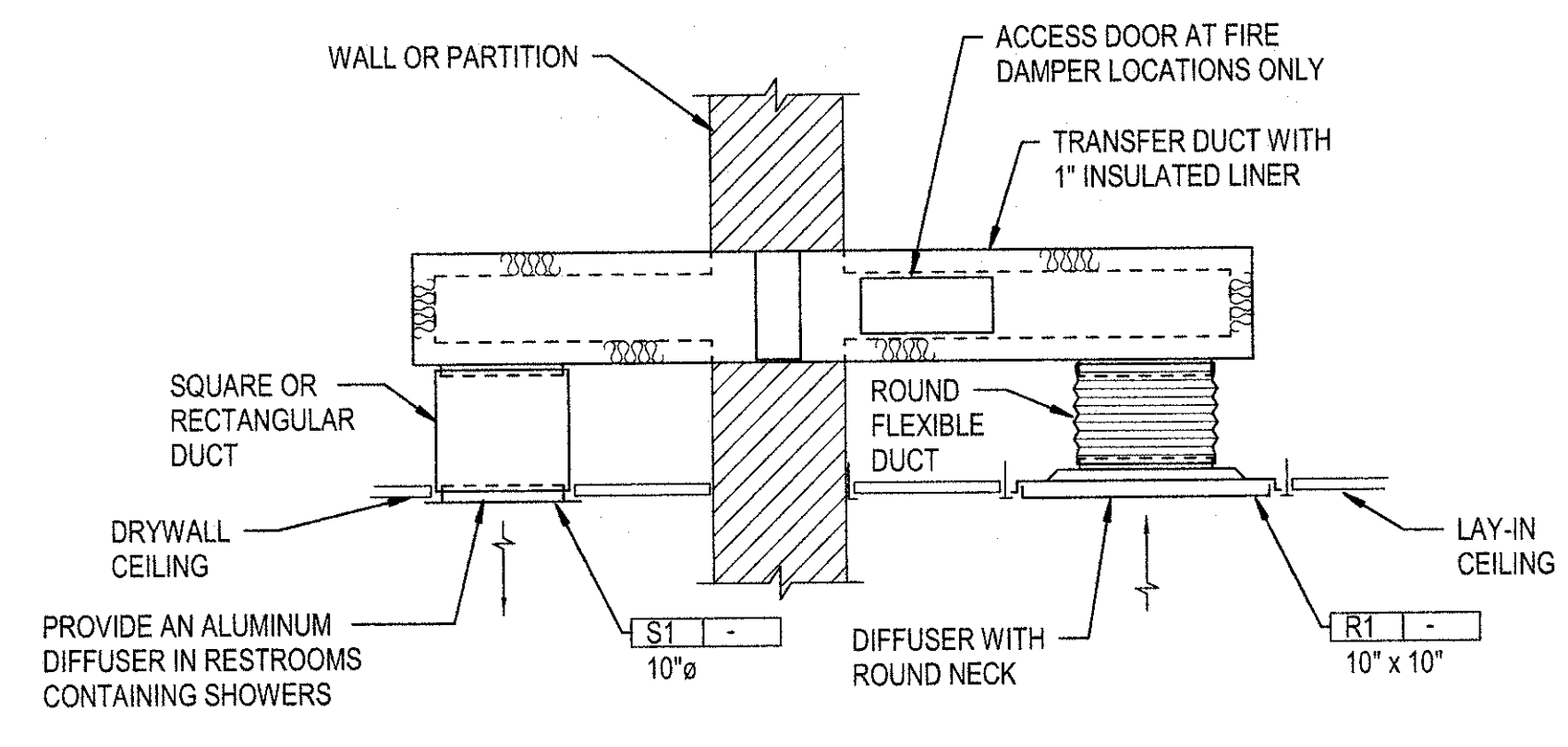
C2 GOOSENECK
NOT TO SCALE



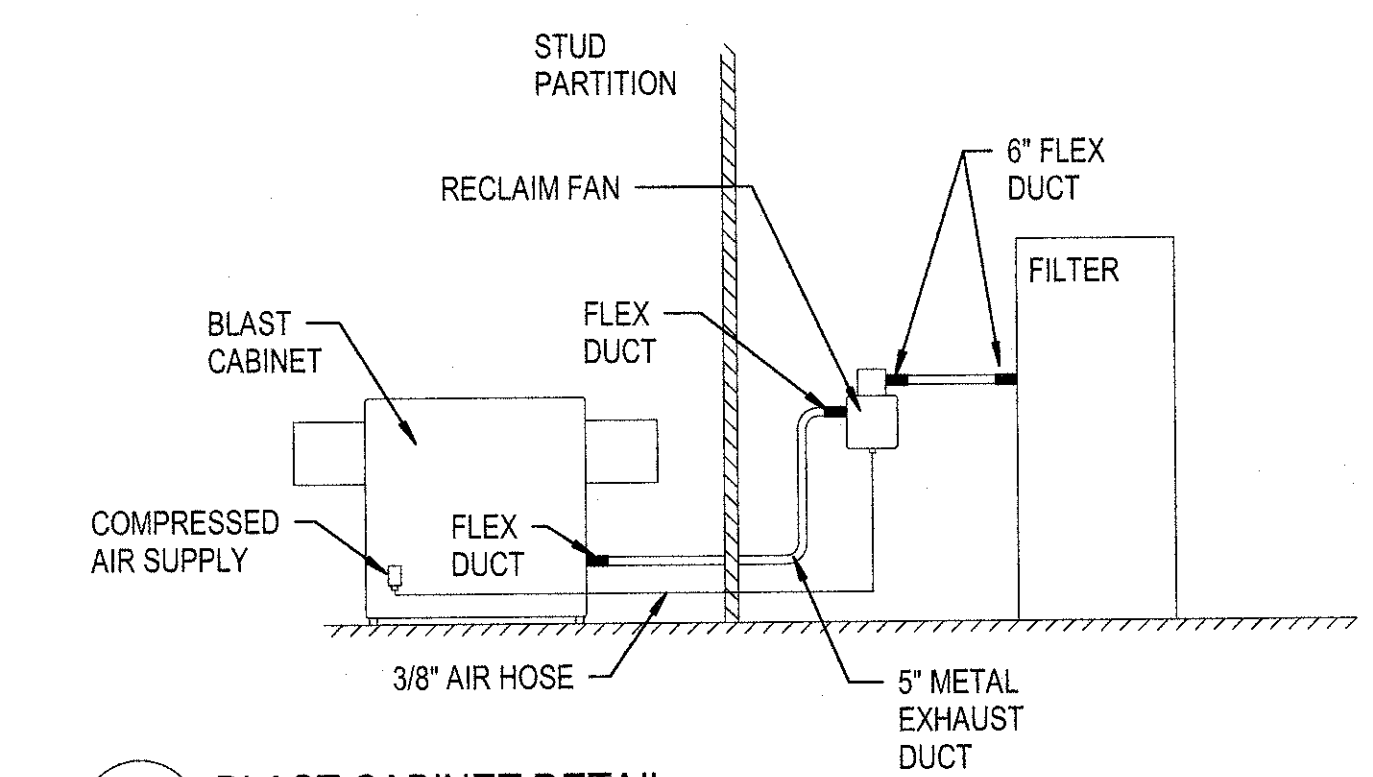
D3 HOT WATER FIN-TUBE RADIATION
NOT TO SCALE



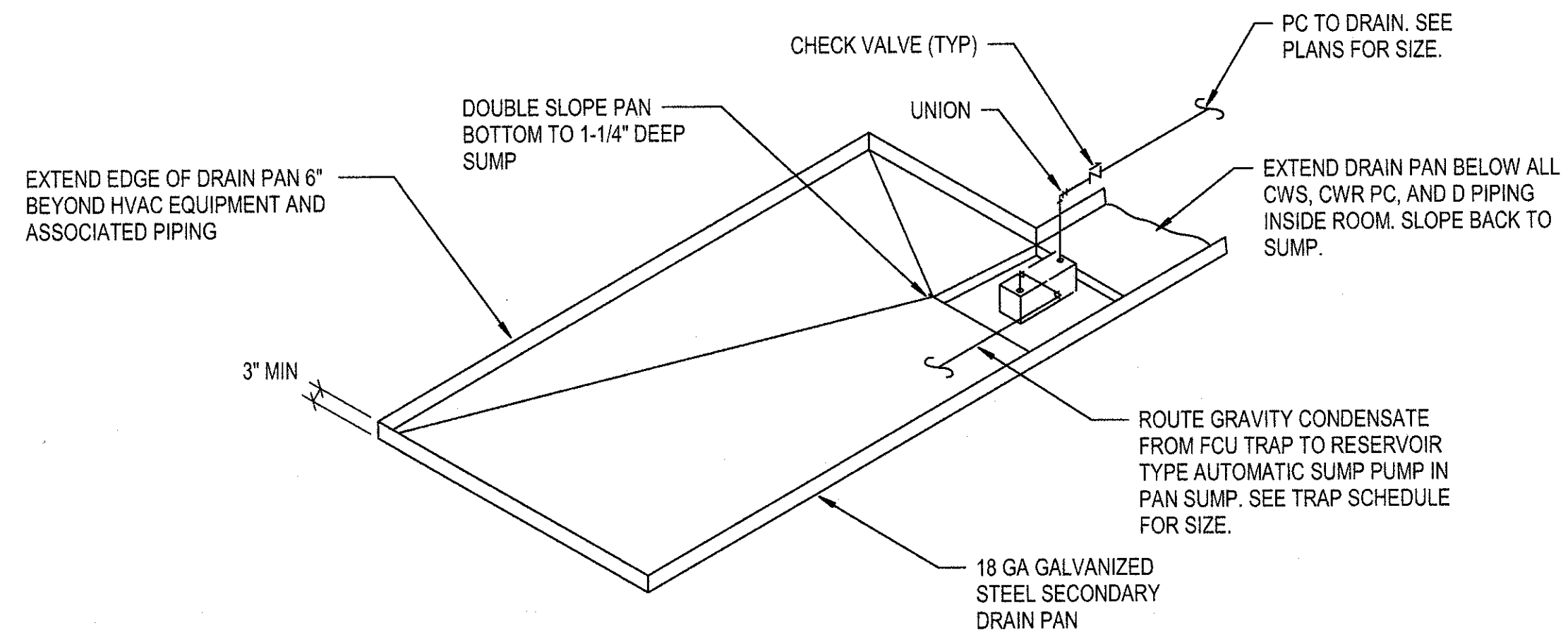
C3 FAN-COIL PIPING
NOT TO SCALE



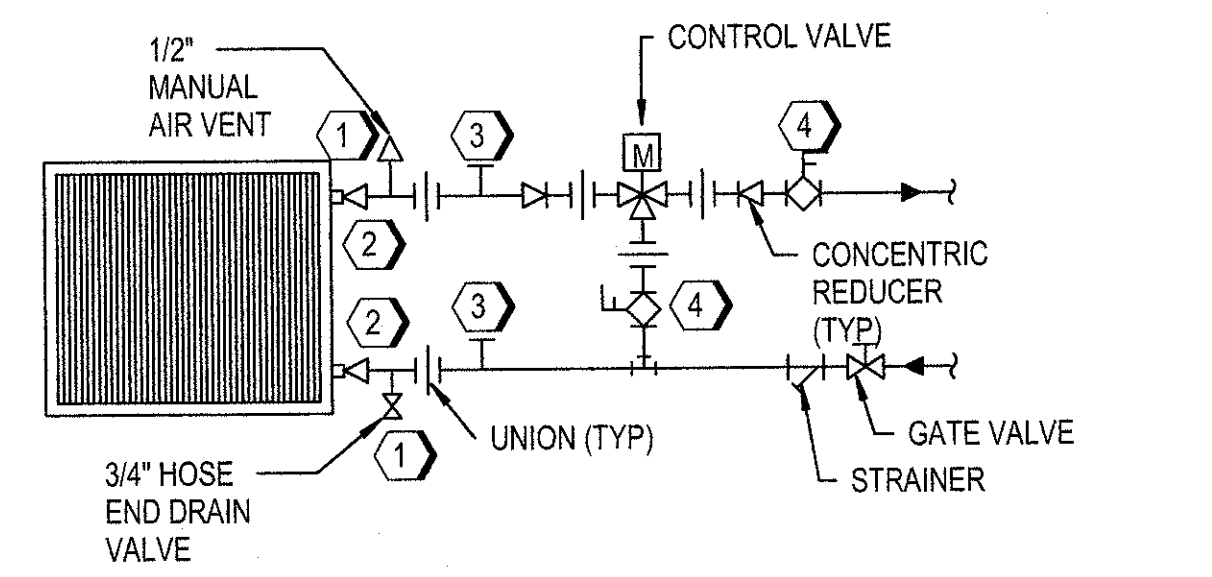
D4 TOILET TRANSFER DUCT
NOT TO SCALE



C4 BLAST CABINET DETAIL
NOT TO SCALE

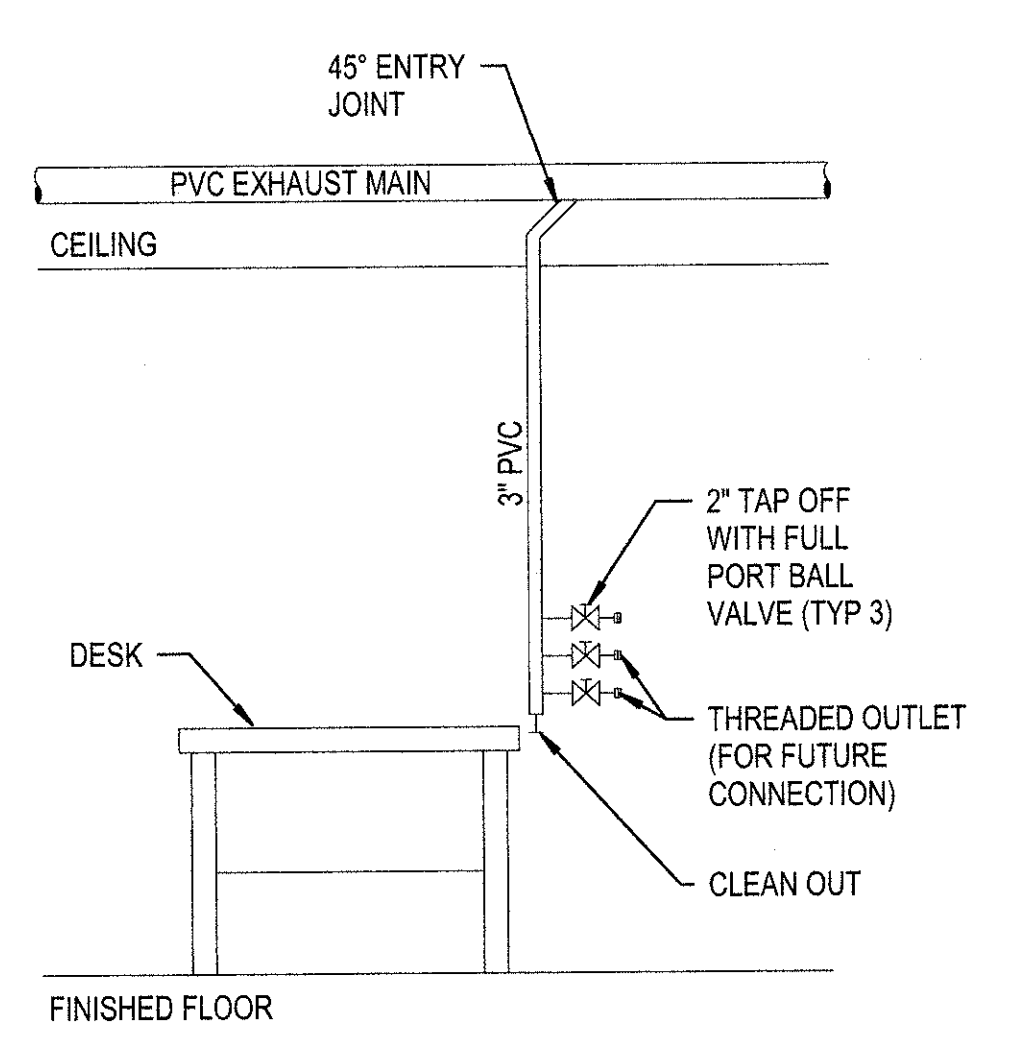


B2 SECONDARY DRAIN PAN WITH CONDENSATE PUMP
NOT TO SCALE

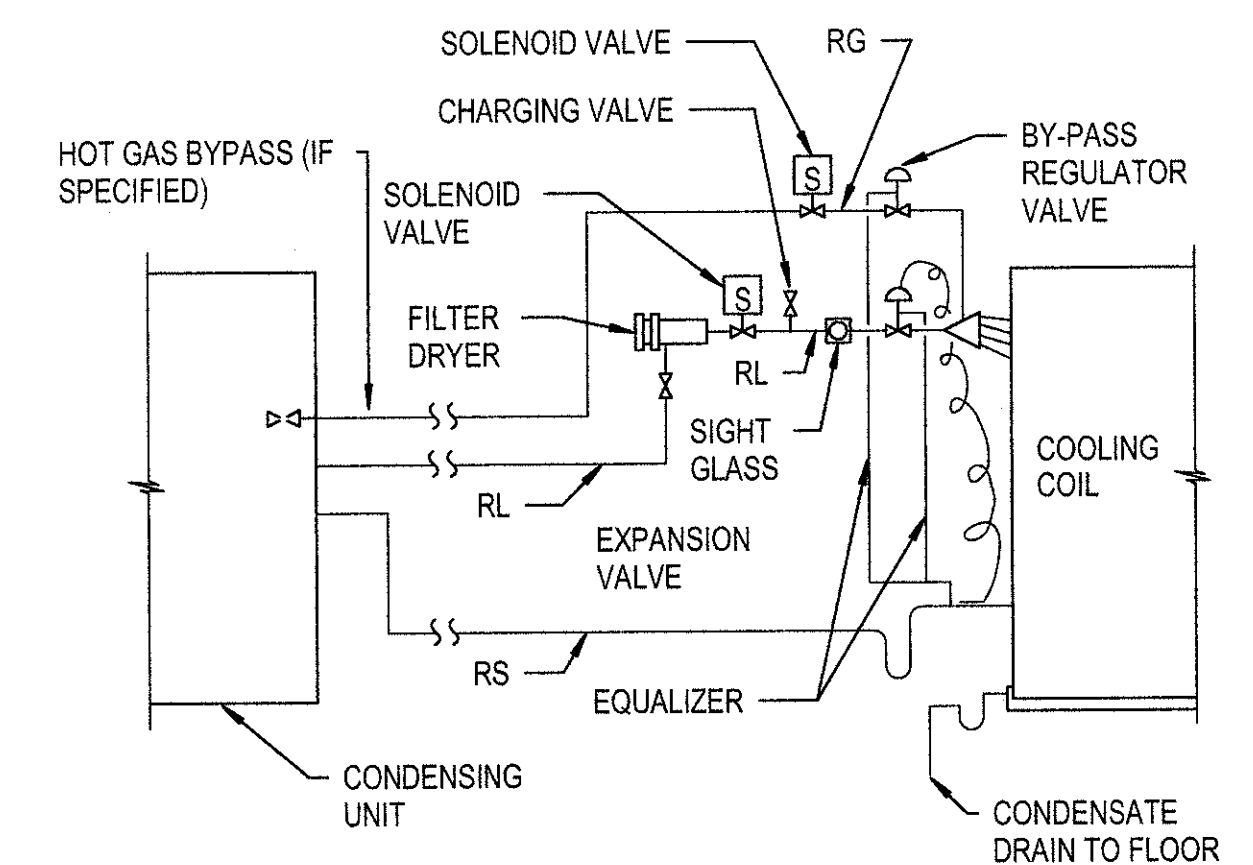


B4 COIL CONNECTION DETAIL (3-WAY VALVE)
NOT TO SCALE

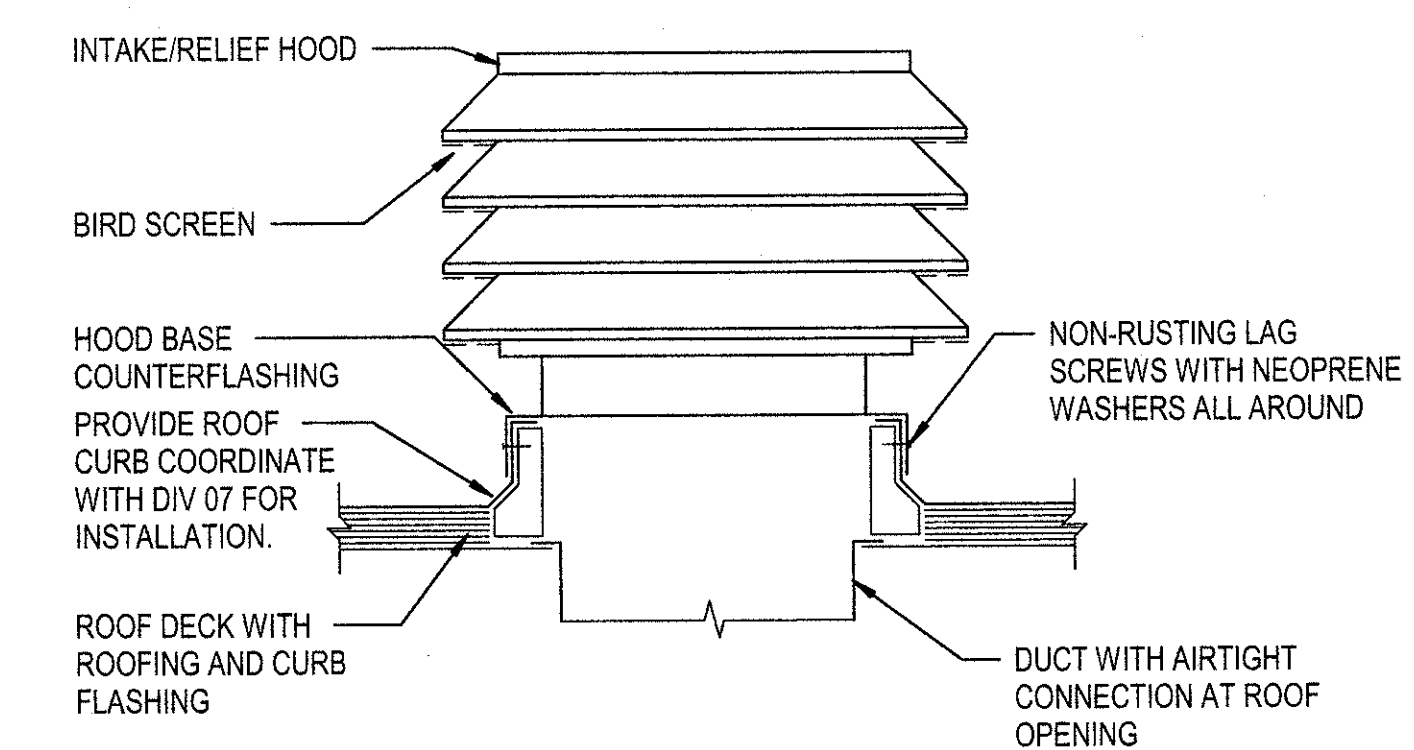
- USE COIL VENT & DRAIN TAPPINGS WHERE AVAILABLE.
 - DELETE REDUCERS AT COILS IF COIL CONNECTION IS SAME SIZE AS PIPE.
 - INSTALL PRESSURE-TEMPERATURE TEST PLUG.
 - INSTALL COMBINATION CALIBRATED BALANCING AND SHUT-OFF VALVE WITH FLOW READOUT (GPM) CAPABILITIES.
- NOTES:
1. COIL SHALL BE PIPED FOR COUNTERFLOW OPERATION.
2. COILS SHALL BE PIPED AND PITCHED TO DRAIN, AND TO ALLOW EASY REMOVAL.



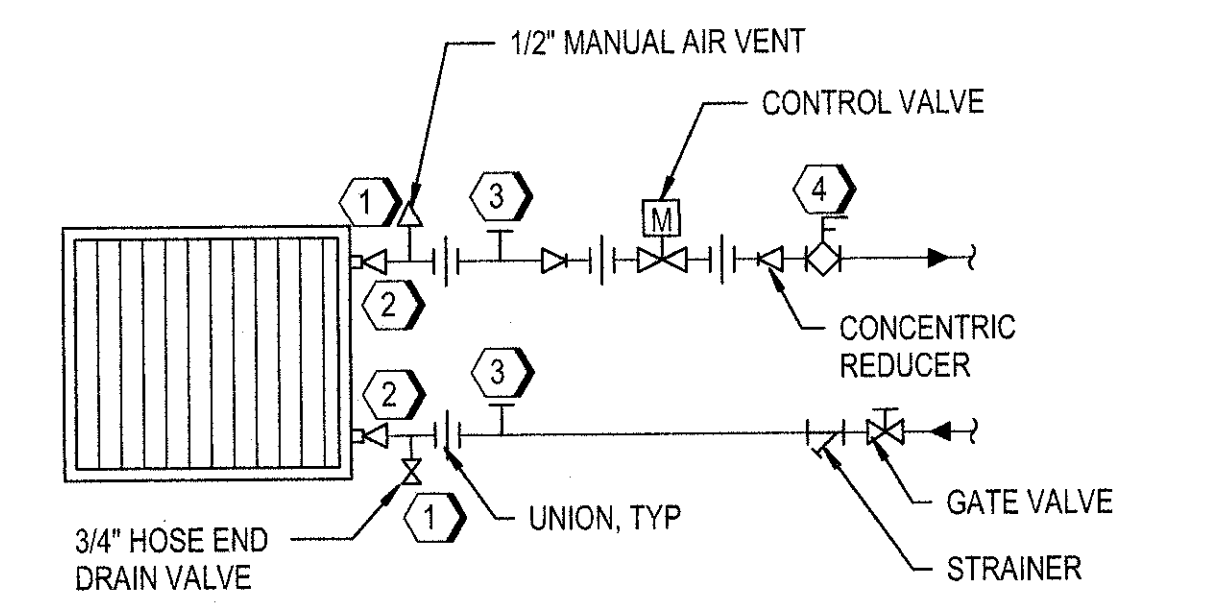
A1 FUME EXTRACTOR DESK CONNECTION
NOT TO SCALE



A2 REFRIGERANT PIPING DETAIL
NOT TO SCALE



A3 INTAKE/RELIEF HOOD DETAIL
NOT TO SCALE



A4 COIL CONNECTION DETAIL (2-WAY VALVE)
NOT TO SCALE

- USE COIL VENT & DRAIN TAPPINGS WHERE AVAILABLE.
 - DELETE REDUCERS AT COILS IF COIL CONNECTION IS SAME SIZE AS PIPE.
 - INSTALL PRESSURE-TEMPERATURE TEST PLUG.
 - INSTALL COMBINATION CALIBRATED BALANCING AND SHUT-OFF VALVE WITH FLOW READOUT (GPM) CAPABILITIES.
- NOTES:
1. COIL SHALL BE PIPED FOR COUNTERFLOW OPERATION.
2. COILS SHALL BE PIPED AND PITCHED TO DRAIN, AND TO ALLOW EASY REMOVAL.

Scales:

Project No.: T1808-01
Drawing Title: **MECHANICAL DETAILS**
Date: 29 JUNE 2018
Designed: JC
Drawn: KP
Checked: TN
Drawing No.: **M-502**
254 of 322

JACOBS PROJECT NO. F3W9 001
 7/30/2018 11:50:00 AM BIM 360://us-f3w9 000-TASMG-ARCH/MOARRNG TASMG-MECH-V17.rvt