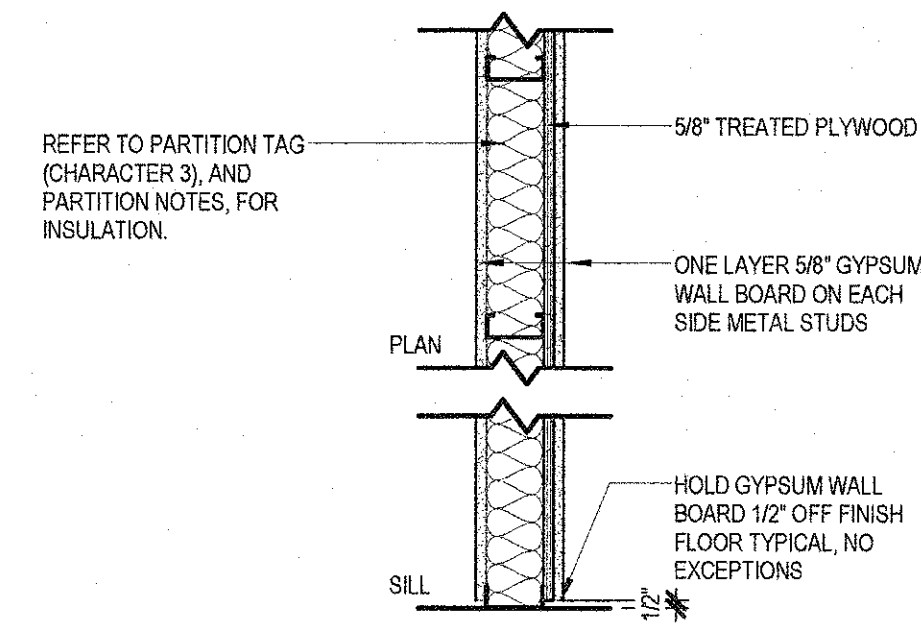


REFER TO PARTITION TAG
(CHARACTER 4), AND G104
FOR HEAD DETAILS

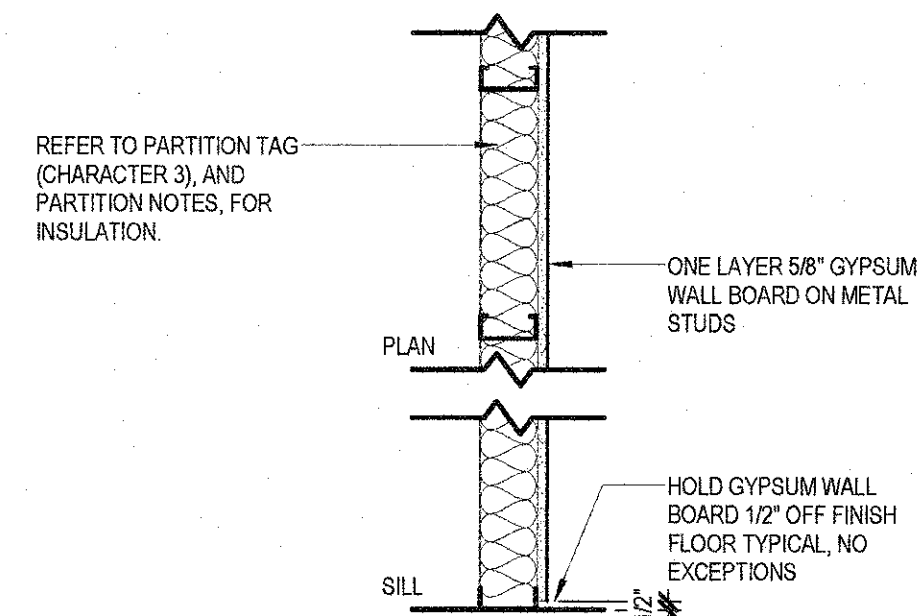


TYPE	STUD SIZE	PARTITION THK.	"R" FIRE RATING	FIRE TEST	STC RATING
B1	1-5/8"	2-7/8"	---	---	---
B2	2-1/2"	3-3/4"	---	---	---
B3	3-5/8"	4-7/8"	---	---	---
B4	4"	5-1/4"	---	---	---
B6	6"	7-1/4"	---	---	---
B8	8"	9-1/4"	---	---	---

D12 PARTITION TYPE - B

G103 SCALE: 1" = 1'-0"

REFER TO PARTITION TAG
(CHARACTER 4), AND G104
FOR HEAD DETAILS

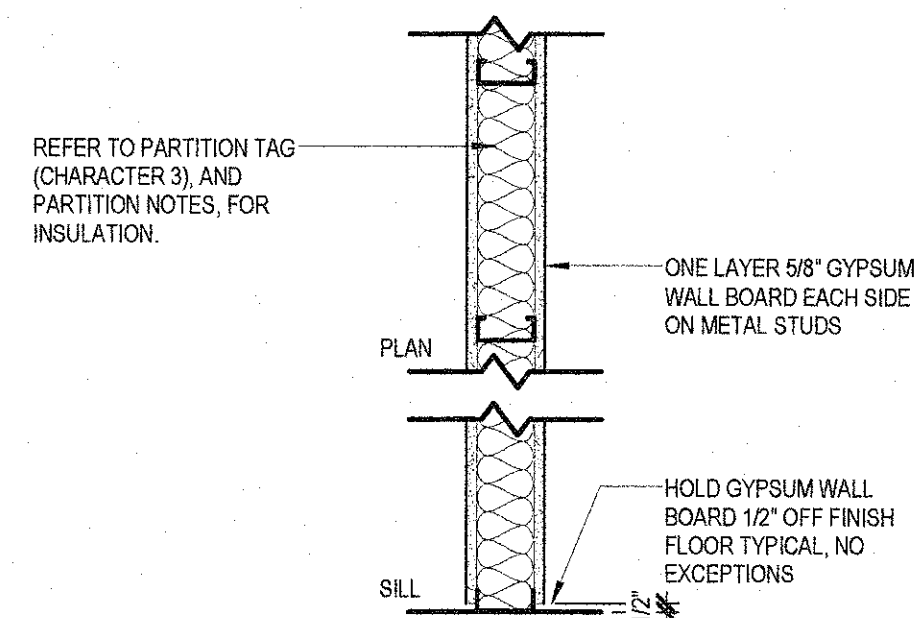


TYPE	STUD SIZE	PARTITION THK.	"R" FIRE RATING	FIRE TEST	STC RATING
A0	7/8"	1-1/2"	---	---	---
A1	1-5/8"	2-1/4"	---	---	---
A2	2-1/2"	3-1/8"	---	---	---
A3	3-5/8"	4-1/4"	---	---	---
A4	4"	4-5/8"	---	---	---
A6	6"	6-5/8"	---	---	---
A8	8"	8-5/8"	---	---	---

F12 PARTITION TYPE - A

G103 SCALE: NO SCALE

REFER TO PARTITION TAG
(CHARACTER 4), AND G104
FOR HEAD DETAILS

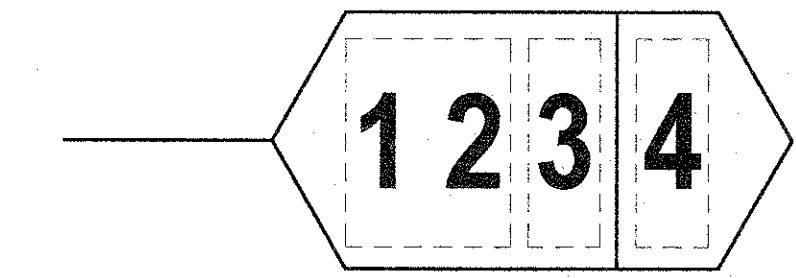


TYPE	STUD SIZE	PARTITION THK.	"R" FIRE RATING	FIRE TEST	STC RATING
C1	1-5/8"	2-7/8"	---	---	---
C2	2-1/2"	3-3/4"	---	---	---
C3	3-5/8"	4-7/8"	1 HR	---	---
C4	4"	5-1/4"	1 HR	---	---
C6	6"	7-1/4"	1 HR	---	---
C8	8"	9-1/4"	1 HR	---	---

K12 PARTITION TYPE - C

G103 SCALE: NO SCALE

- NOTE: PARTITION TAGS ARE READ LEFT TO RIGHT.
- FIRST AND SECOND CHARACTER TOGETHER ARE "TYPE" IN THE PARTITION TYPE DETAILS
- THE FIRST CHARACTER IN THE TAG INDICATES WHICH DETAIL TO REFERENCE FOR THE PARTITION CONSTRUCTION.
 - THE SECOND CHARACTER IN THE TAG INDICATES A REFERENCE FOR THE STRUCTURAL MEMBER (METAL STUD OR CMU) THICKNESS.
 - THE THIRD CHARACTER IN THE TAG INDICATES:
 - "A" - FOR ACOUSTIC PARTITION CONSTRUCTION
 - "R" - FOR FIRE RATED PARTITION CONSTRUCTION
 - "S" - FOR SMOKE PARTITION CONSTRUCTION
 - "T" - FOR FIRE RATED/ACOUSTIC PARTITION CONSTRUCTION
 - "V" - FOR FIRE RATED/SMOKE PARTITION CONSTRUCTION
 - "W" - FOR ACOUSTIC/SMOKE PARTITION CONSTRUCTION
 - "Z" - FOR FIRE RATED/ACOUSTIC/SMOKE PARTITION
 - THE FOURTH CHARACTER IS FOR SPECIAL CONSTRUCTION CONDITIONS CALLED OUT ON SHEET A6.02 SUCH AS HEAD PARTITION DETAILS.



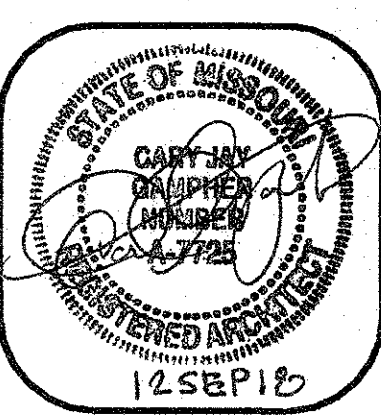
E18 PARTITION TAGS

G103 SCALE: NO SCALE

- ALL STUD GAUGES AND LIMITING HEIGHTS IN GYPSUM WALL BOARD REFERENCE SPECIFICATIONS.
- ALL PARTITIONS CONTAINING PLUMBING OR HAVING AN EXTERIOR FACE TO BE INSULATED.
- THE FOLLOWING LIST OF ROOMS (IF USED) SHALL HAVE THEIR PERIMETER PARTITIONS INSULATED USING MINERAL WOOL:
 - ALL ELECT. MECH. ROOMS
 - AV EQUIPMENT/LIGHTING ROOMS
- THE FOLLOWING LIST OF ROOMS (IF USED) SHALL HAVE THEIR PERIMETER PARTITIONS INSULATED WITH SOUND ATTENUATION BATTIS AS SPECIFIED.
 - TOILET ROOMS
 - OFFICES
- ALL RATED PARTITIONS TO EXTEND FROM TOP OF SLAB TO UNDERSIDE OF STRUCTURE. SEAL TOP AND BOTTOM TYPICAL.
- ALL INTERIOR ROOF DRAINS AND OVERFLOW DRAINS TO BE WRAPPED CONTINUOUSLY WITH SOUND ATTENUATION INSULATION.
- REFER TO PLANS FOR LOCATION OF PARTITION TYPES. C3 IS THE TYPICAL PARTITION TYPE UNLESS NOTED OTHERWISE.
- INSTALL FRAMING AND GYPSUM WALL BOARD TO OFFSET AROUND STRUCTURAL MEMBERS OR OTHER OBSTRUCTIONS TO MAINTAIN FIRE RESISTIVE RATINGS.
- WHERE GYPSUM WALL BOARD EXTENDS TO THE UNDERSIDE OF STRUCTURE, STOP GYPSUM WALL BOARD 1/2" BELOW LINE OF STRUCTURE AND SEAL AS REQUIRED.
- FIRE RESISTANT, RATED PARTITIONS TO BE INSTALLED WITH FIRESTOP SEALANT, UNLESS NOTED OTHERWISE.
- NON-RATED PARTITIONS TO BE INSTALLED WITH ACOUSTICAL SEALANT, UNLESS NOTED OTHERWISE.
- TYPICAL STUD SPACING 16" O.C. UNLESS NOTED OTHERWISE.
- INSTALL FIRE RETARDANT, TREATED BLOCKING IN PARTITIONS AS REQUIRED ON DRAWINGS.
- ALL PARTITIONS SCHEDULED TO RECEIVE TILE OR FRP, SHALL BE CONSTRUCTED OF WATER-RESISTANT CORE GYPSUM WALL BOARD.

K18 GENERAL PARTITION NOTES

G103 SCALE: NO SCALE



CENTRAL MISSOURI PROFESSIONAL SERVICES, INC.
MISSOURI STATE CERTIFICATE OF AUTHORITY # 001558
CIVIL ENGINEER

SSC ENGINEERING, INC.
MISSOURI STATE CERTIFICATE OF AUTHORITY # 001244
MECHANICAL/ELECTRICAL/PLUMBING ENGINEER

SSC ENGINEERING, INC.
MISSOURI STATE CERTIFICATE OF AUTHORITY # 001244
CIVIL ENGINEER

MISSOURI STATE CERTIFICATE OF AUTHORITY # 001244

The Architects Alliance inc.

Missouri State Certificate of Authority # 000143

631 West Main Street
Jefferson City, Missouri
(573) 636-5000 phone

PARTITION TYPES

**MISSOURI SOYBEAN INNOVATION CENTER
NEW OFFICE BUILDING**

734 S. COUNTRY CLUB DRIVE
JEFFERSON CITY, MISSOURI

PROJECT NO. 1613
DATE: SEP. 12, 2018

G103