

CENTRAL MISSOURI PROFESSIONAL SERVICES, INC.  
 MISSOURI STATE CERTIFICATE OF AUTHORITY # 001558  
 CIVIL ENGINEER  
 SSC ENGINEERING, INC.  
 MECHANICAL/ELECTRICAL/PLUMBING ENGINEER  
 MISSOURI STATE CERTIFICATE OF AUTHORITY # 001244  
 SSC ENGINEERING, INC.  
 MISSOURI STATE CERTIFICATE OF AUTHORITY # 001244

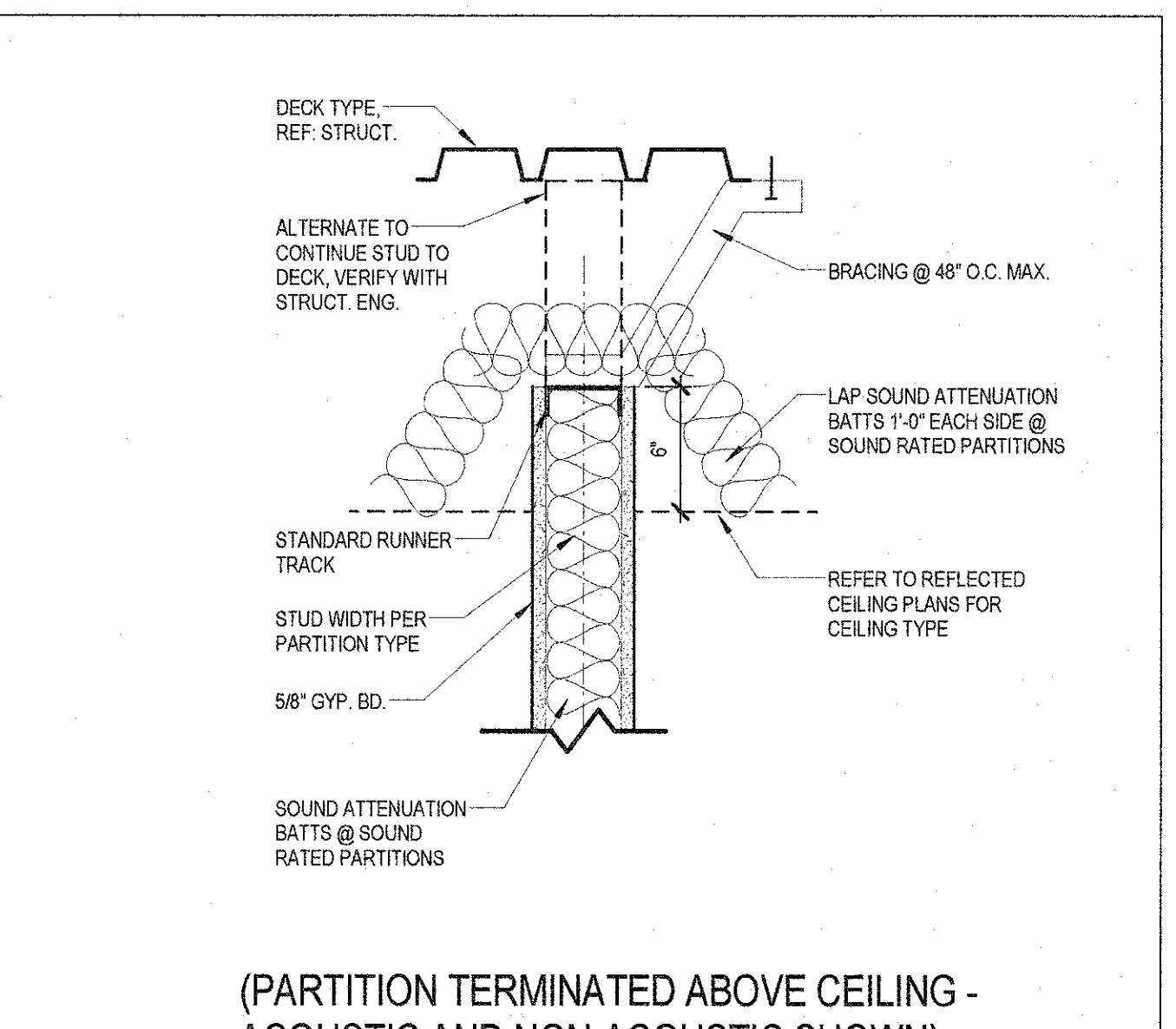
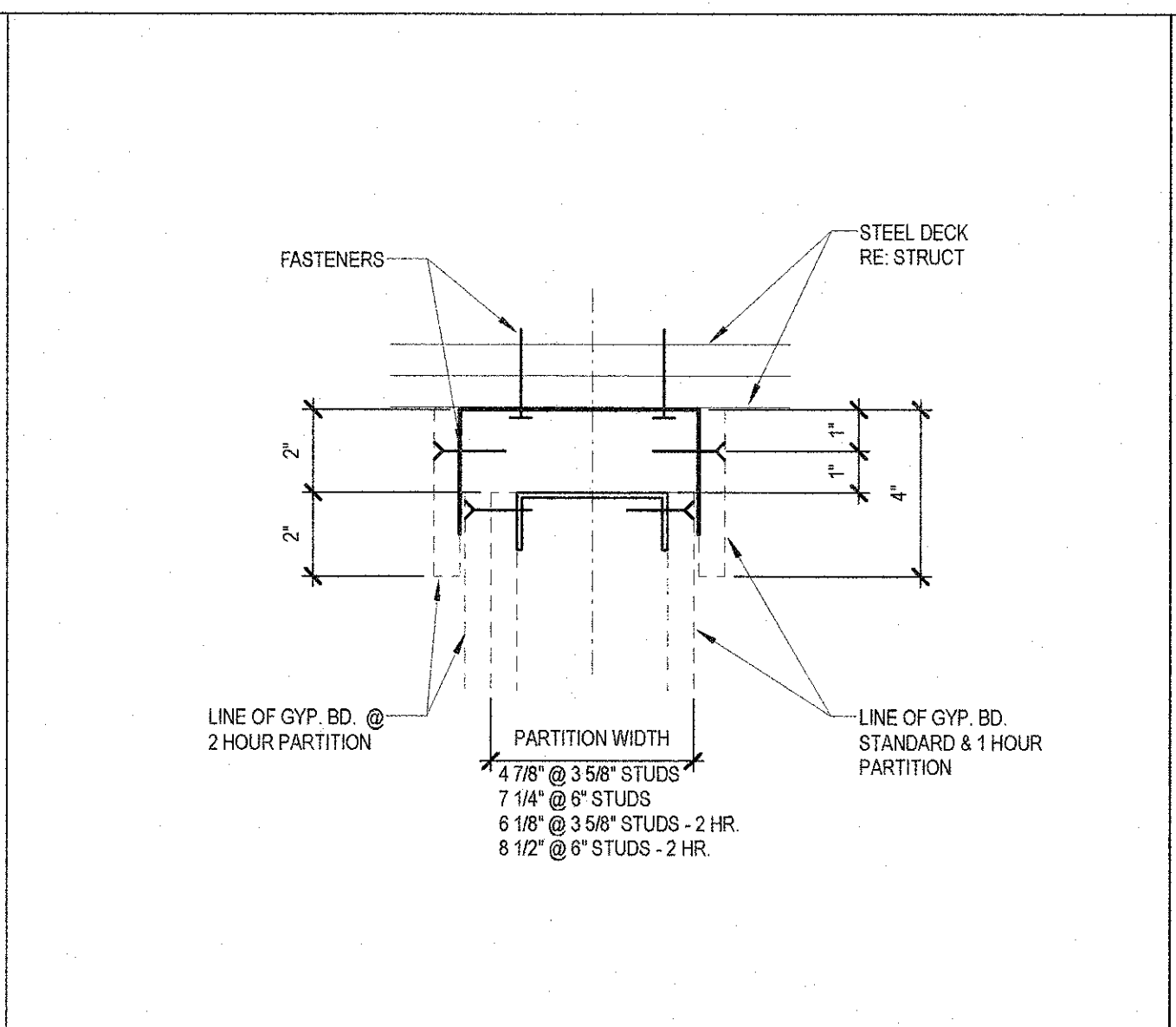
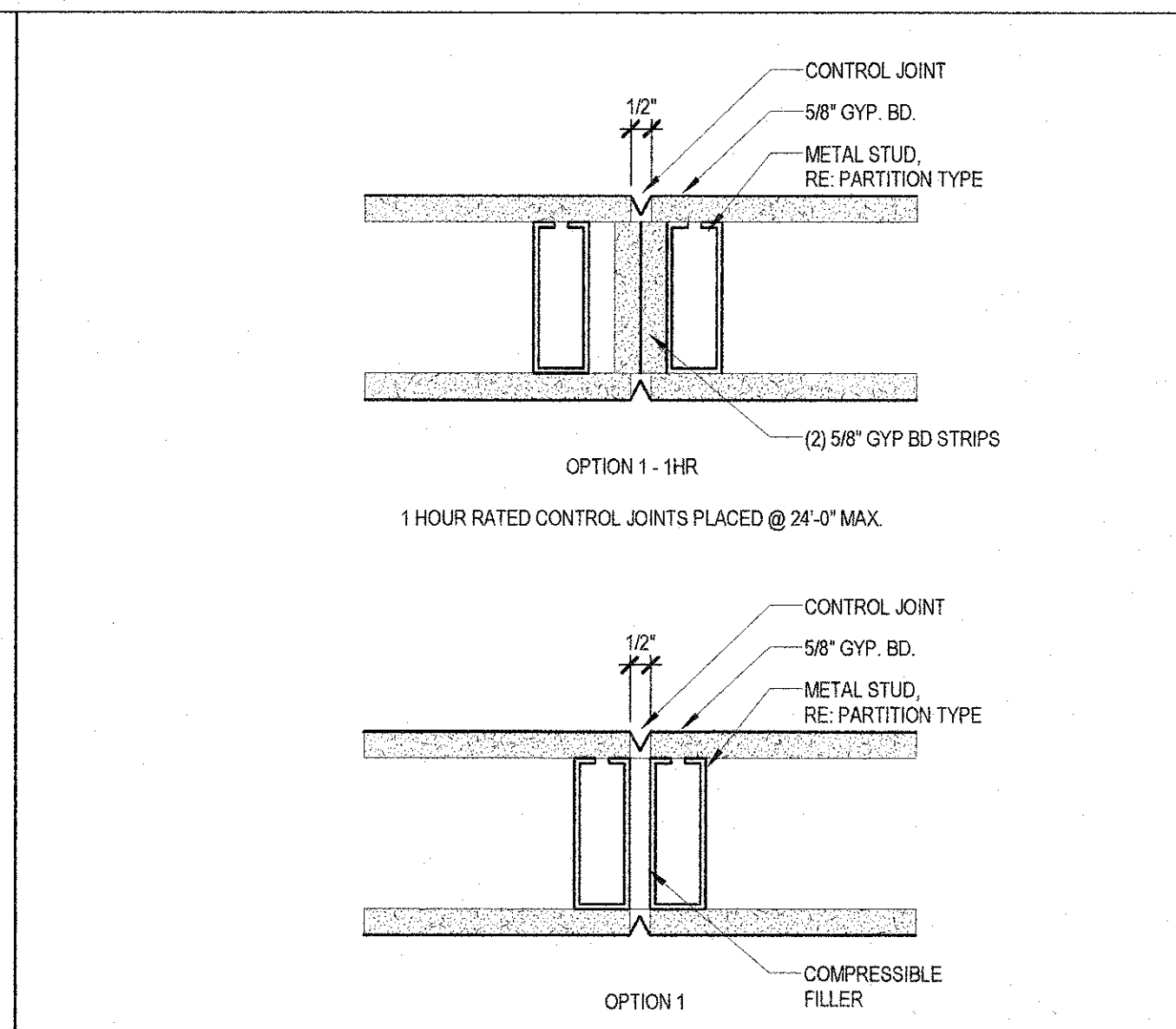
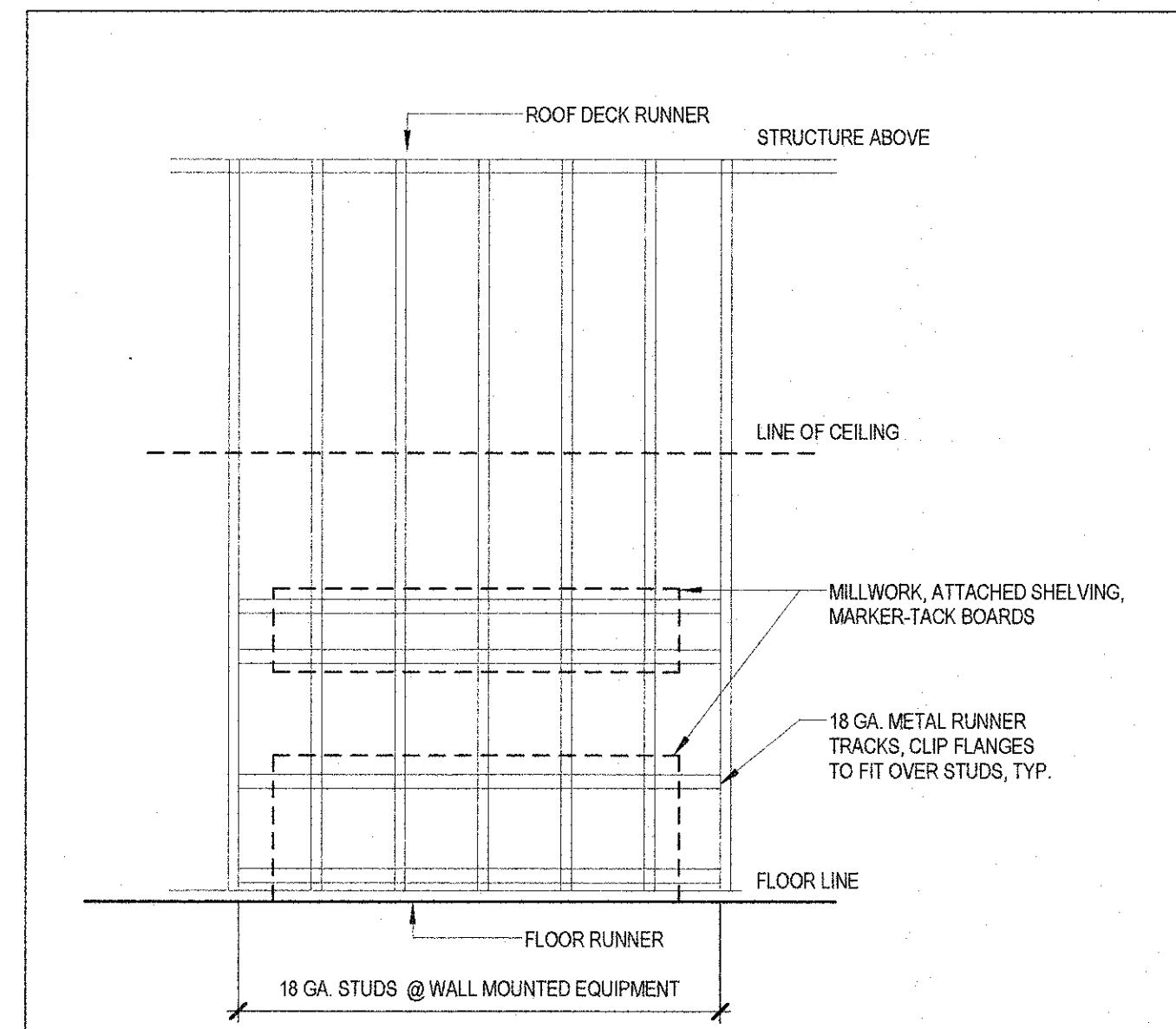
The Architects Alliance inc.  
 Missouri State Certificate of Authority # 000143  
 631 West Main Street  
 Jefferson City, Missouri  
 (573) 636-5000 phone

PARTITION DETAILS

MISSOURI SOYBEAN INNOVATION CENTER  
 NEW OFFICE BUILDING  
 734 S. COUNTRY CLUB DRIVE  
 JEFFERSON CITY, MISSOURI

PROJECT NO. 1613  
 DATE: SEP. 12, 2016

G104



06 FRAMING- WALL HUNG EQUIP

1/4" = 1'-0"

05 CONTROL JT AT GYPSUM BD

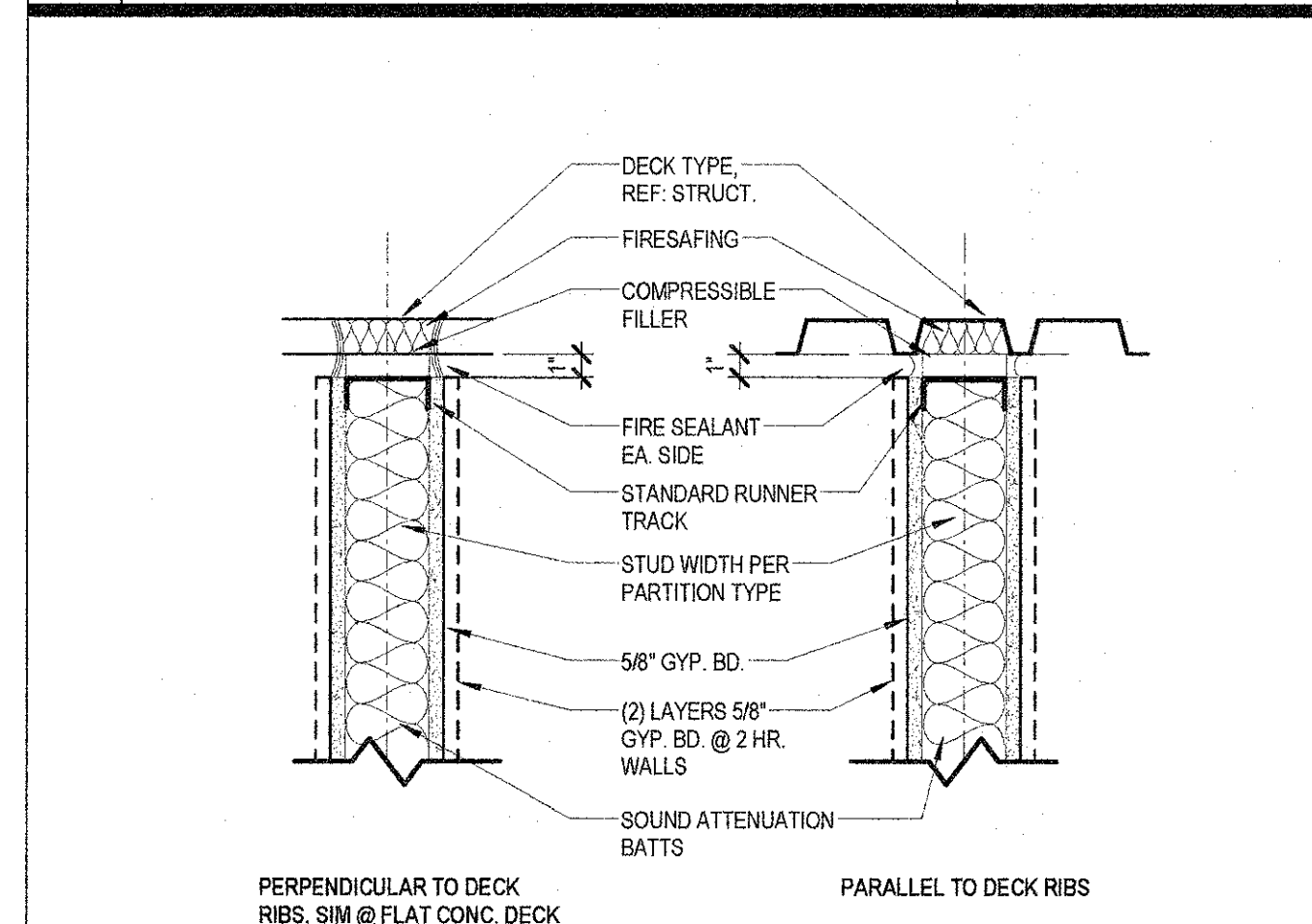
3" = 1'-0"

04 EXPANSION HEAD

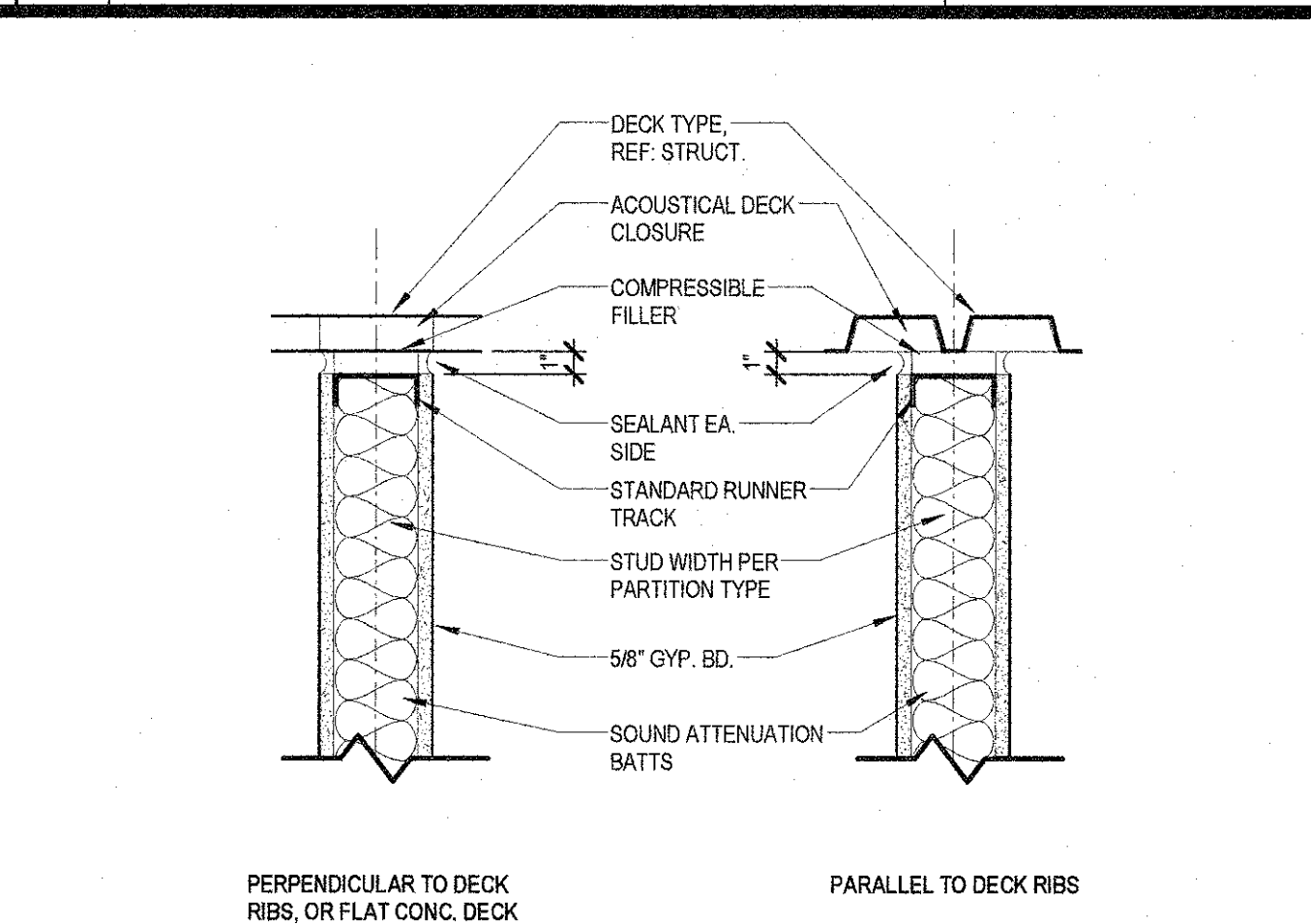
3" = 1'-0"

02 HEAD "2"

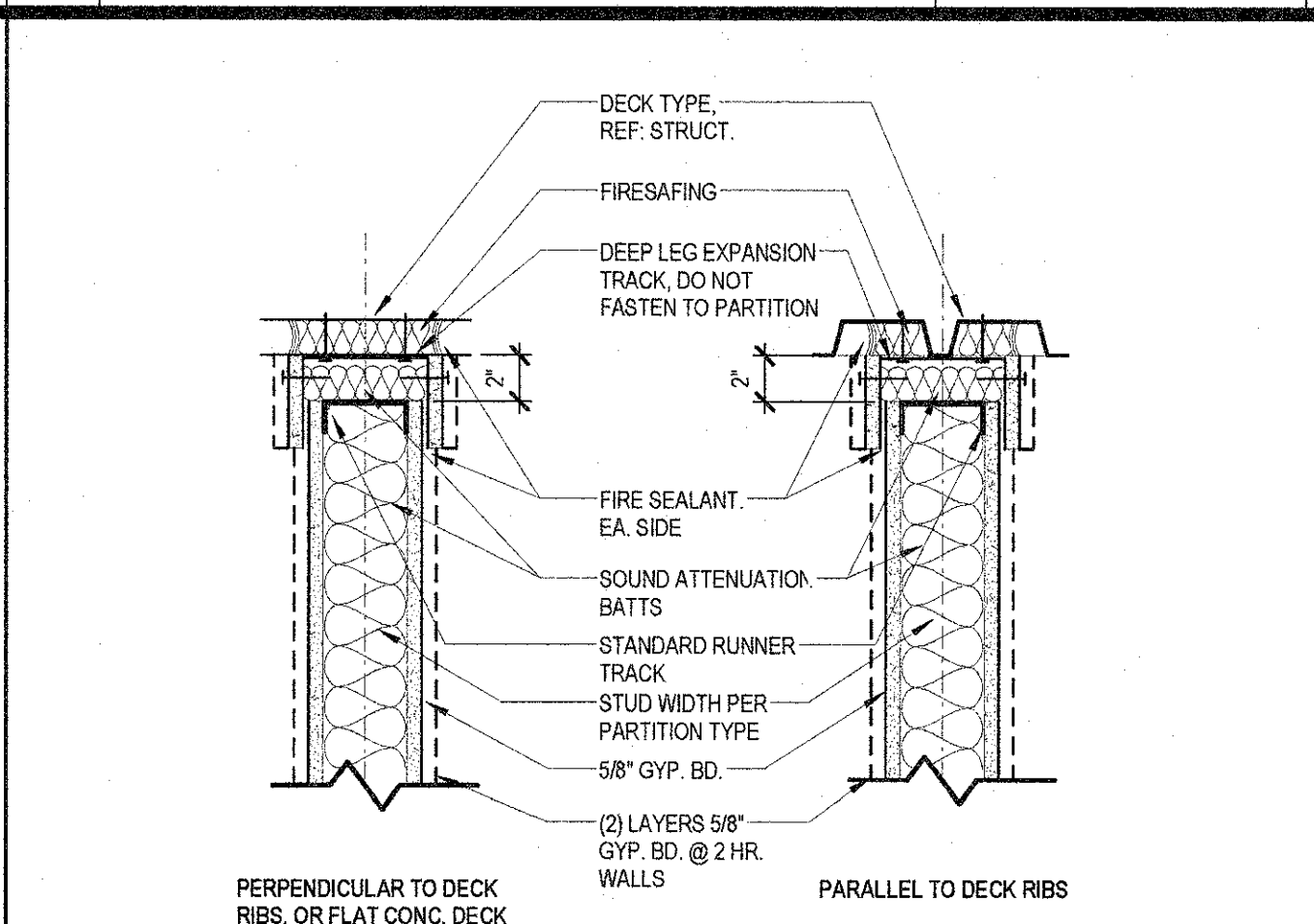
1 1/2" = 1'-0"



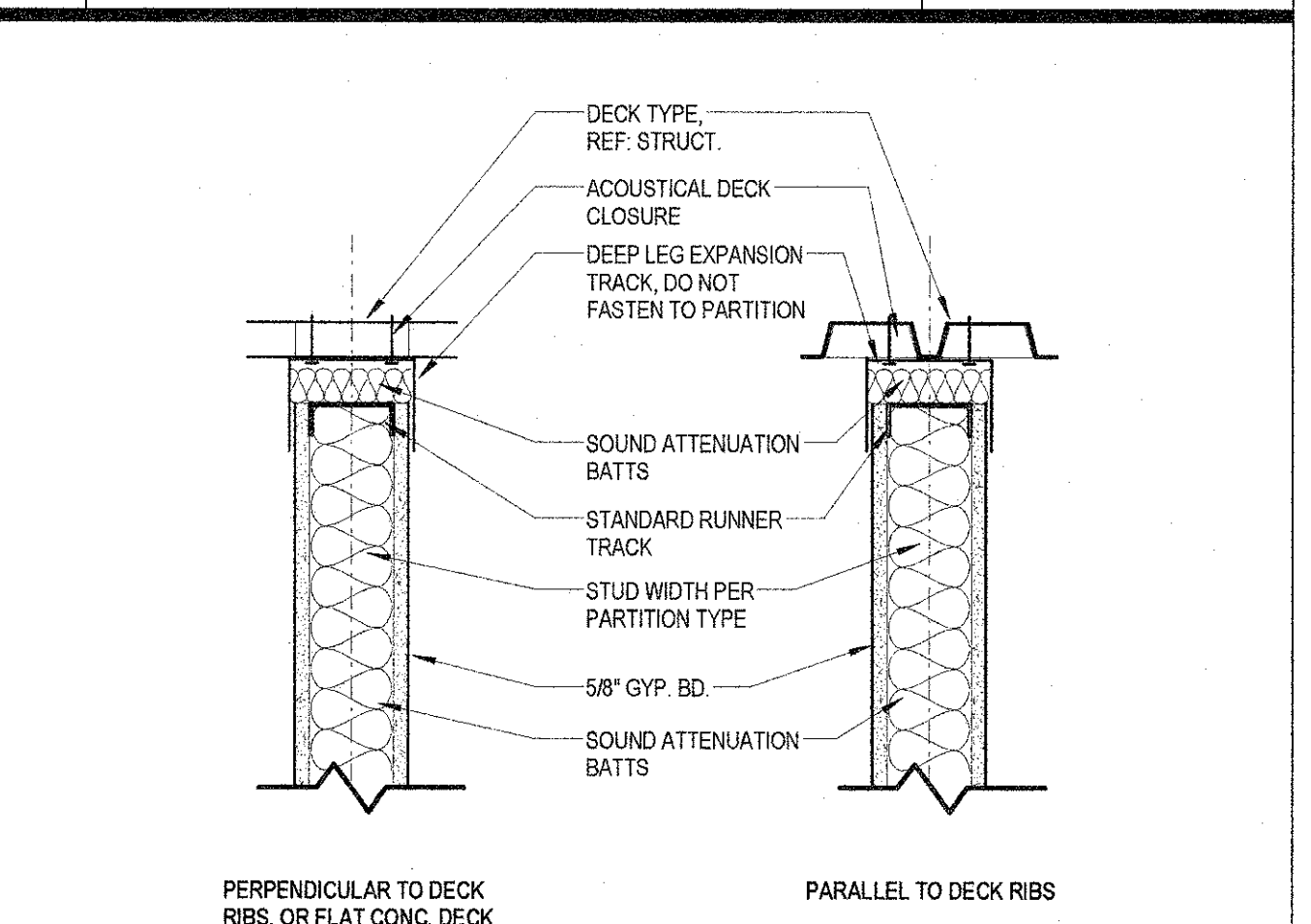
(PARTITION TO DECK - ACOUSTIC AND FIRE RATED)



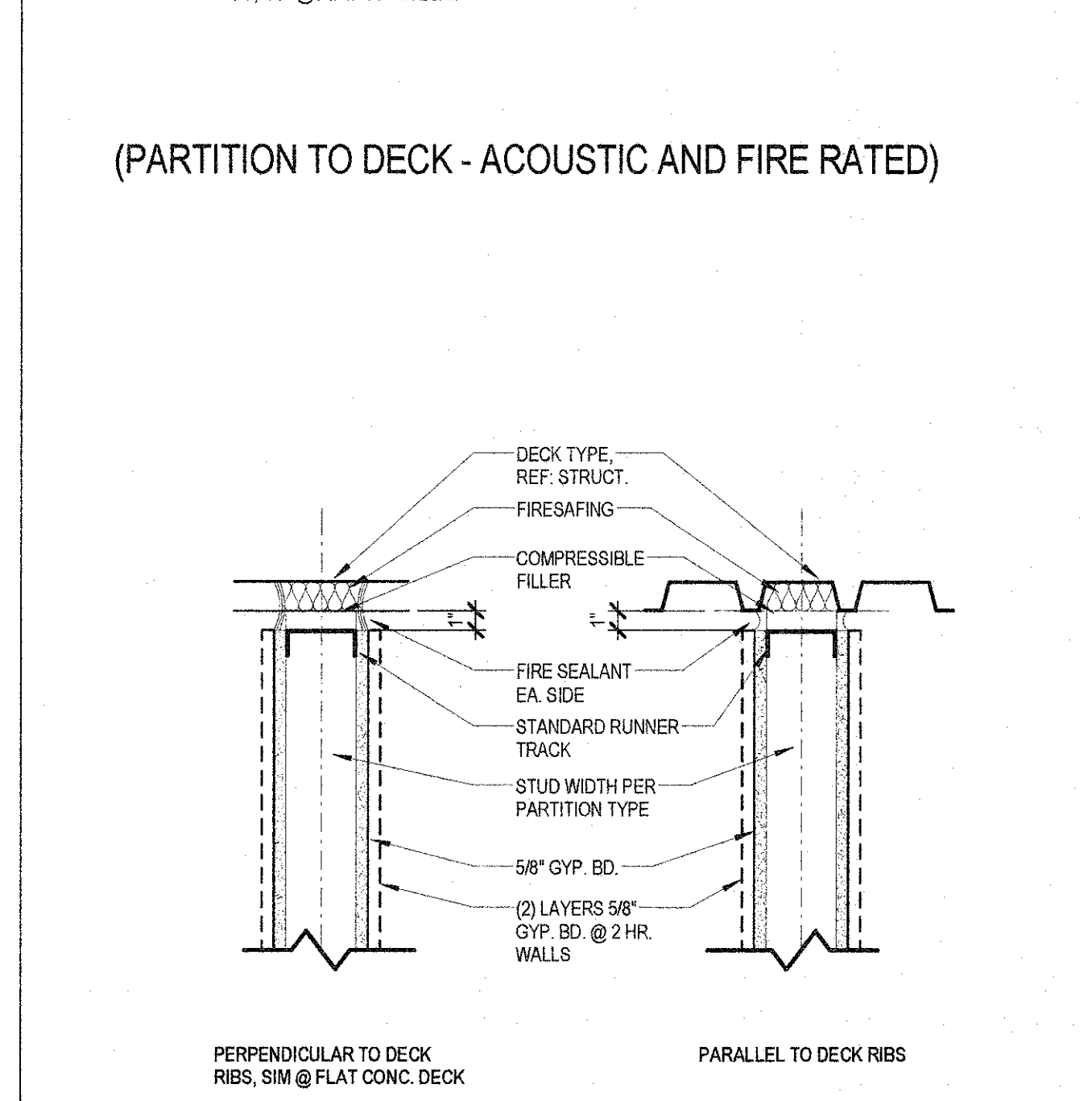
(PARTITION TO DECK - ACOUSTIC RATED)



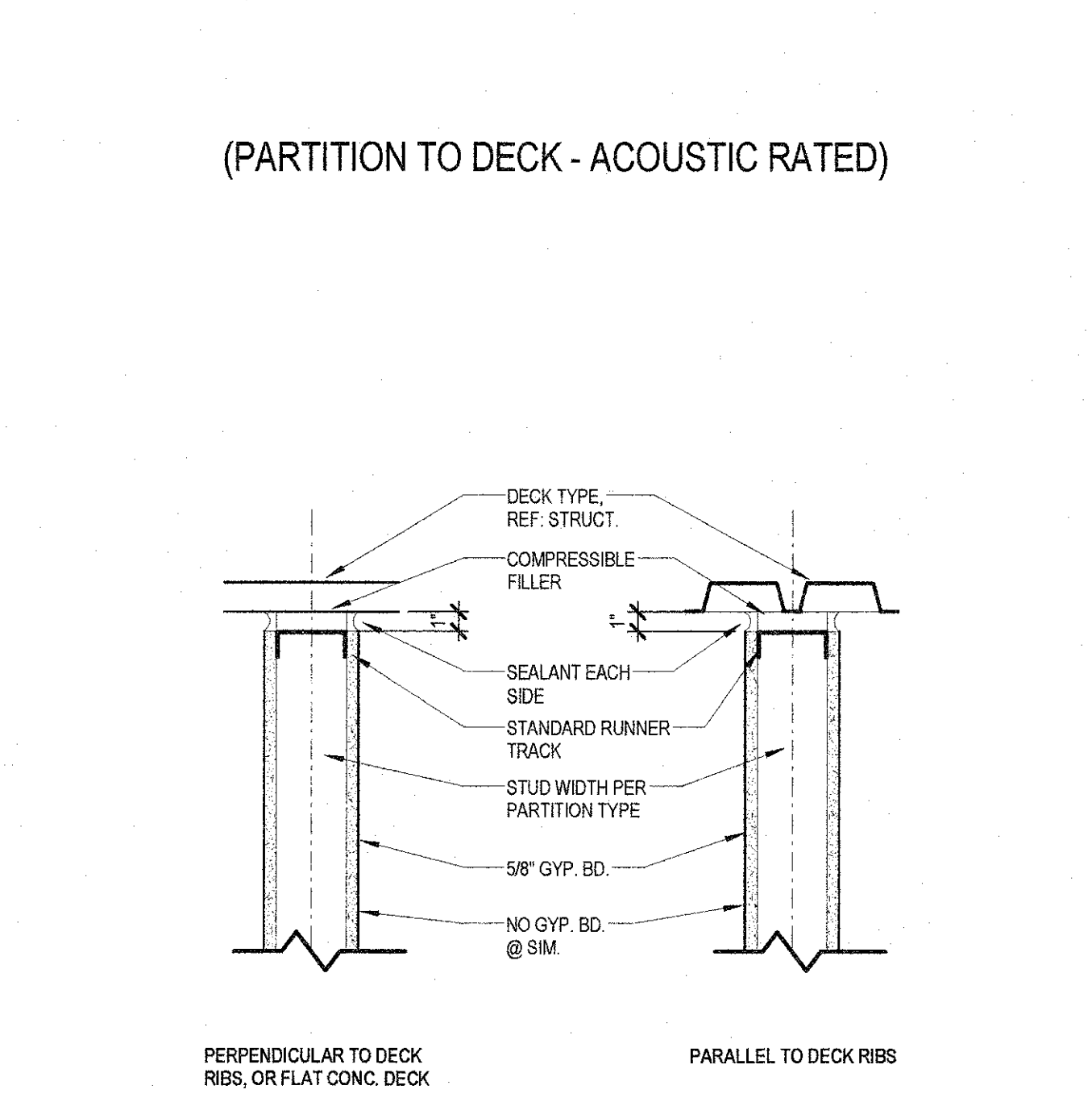
(PARTITION EXPANSION @ DECK - ACOUSTIC AND FIRE RATED)



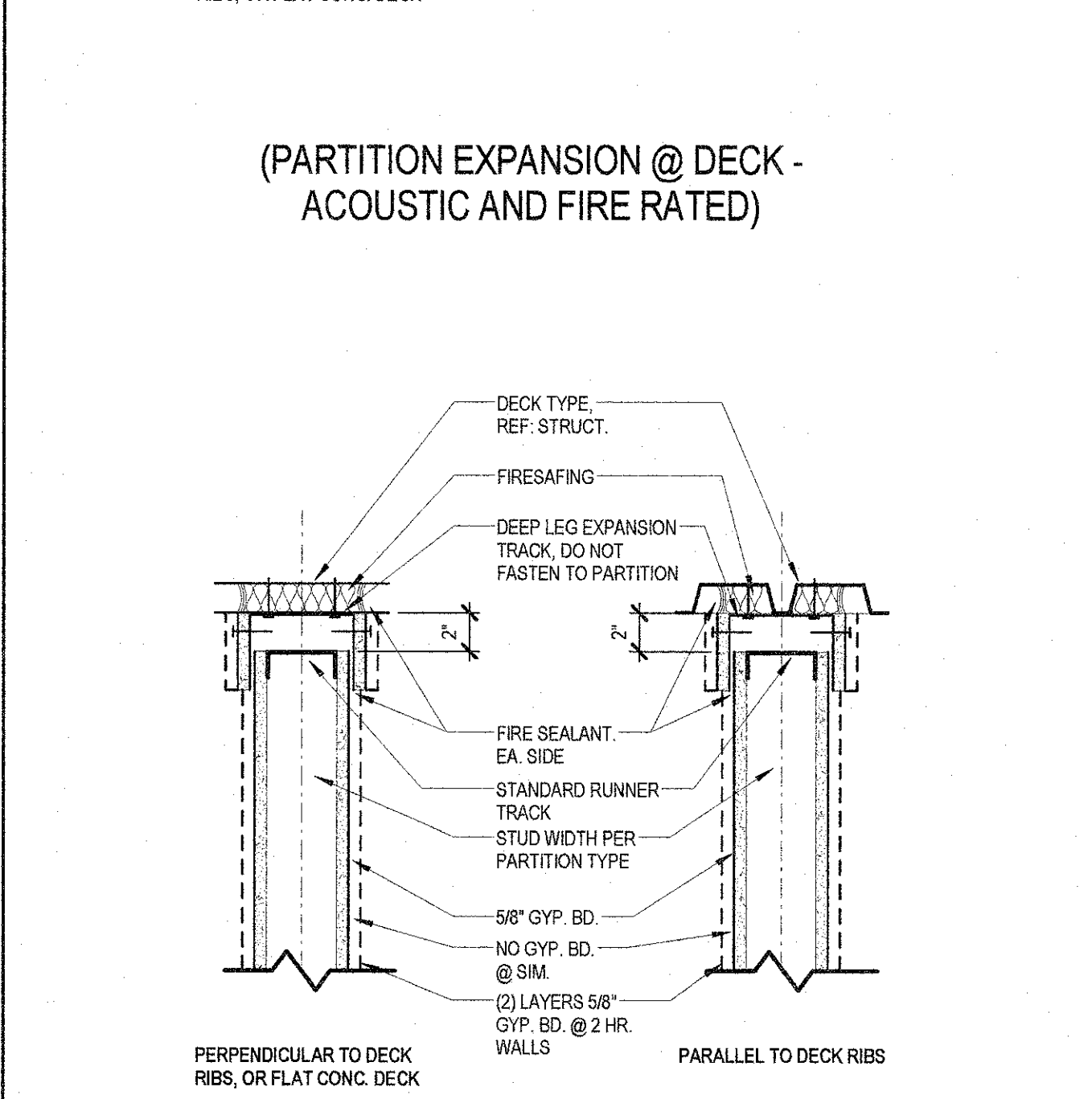
(PARTITION EXPANSION @ DECK - ACOUSTIC)



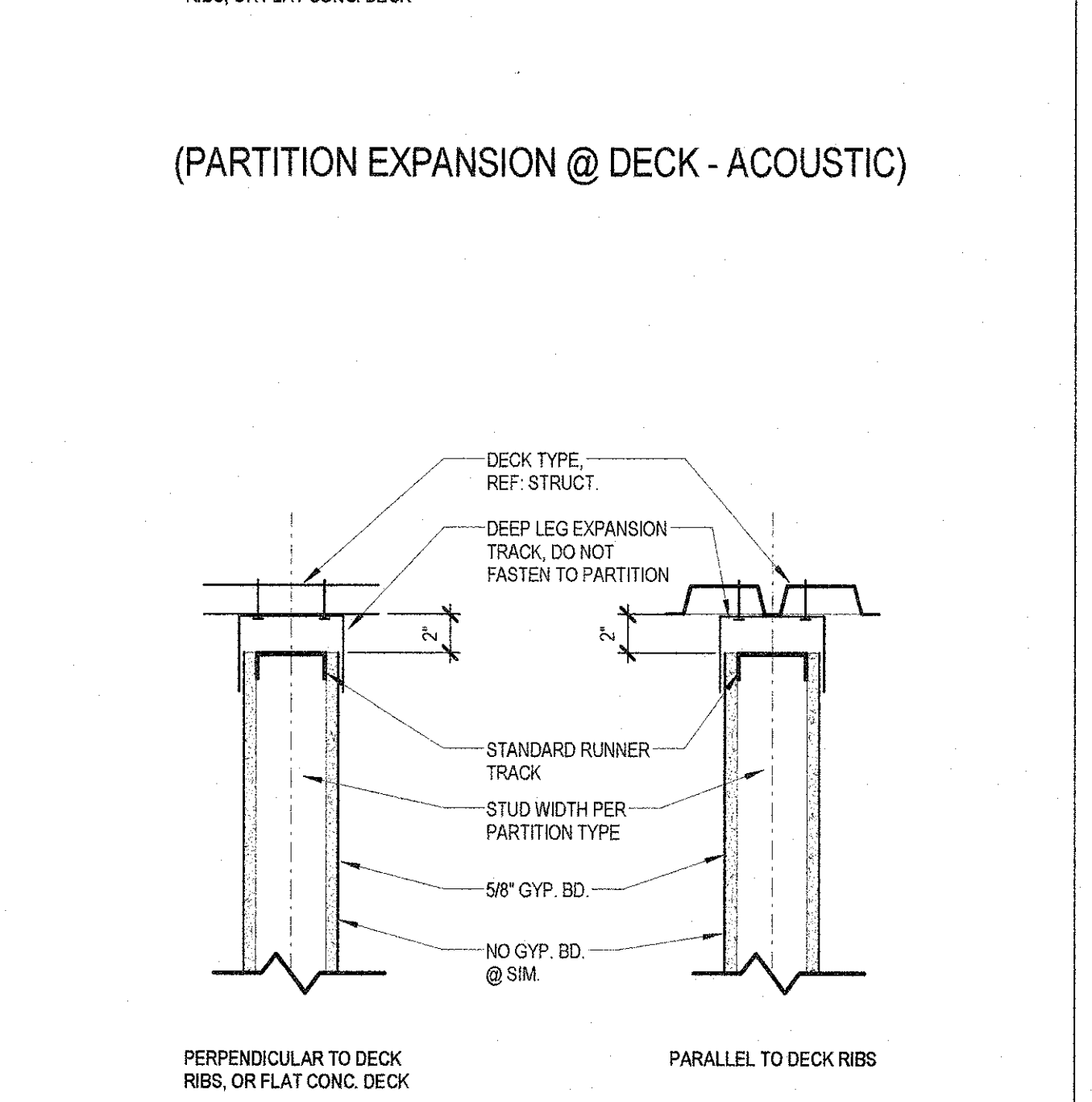
(PARTITION TO DECK - FIRE RATED)



(PARTITION TO DECK)



(PARTITION EXPANSION @ DECK - FIRE RATED)



(PARTITION EXPANSION @ DECK)

03 HEAD "3"

1 1/2" = 1'-0"

01 HEAD "1"

1 1/2" = 1'-0"