

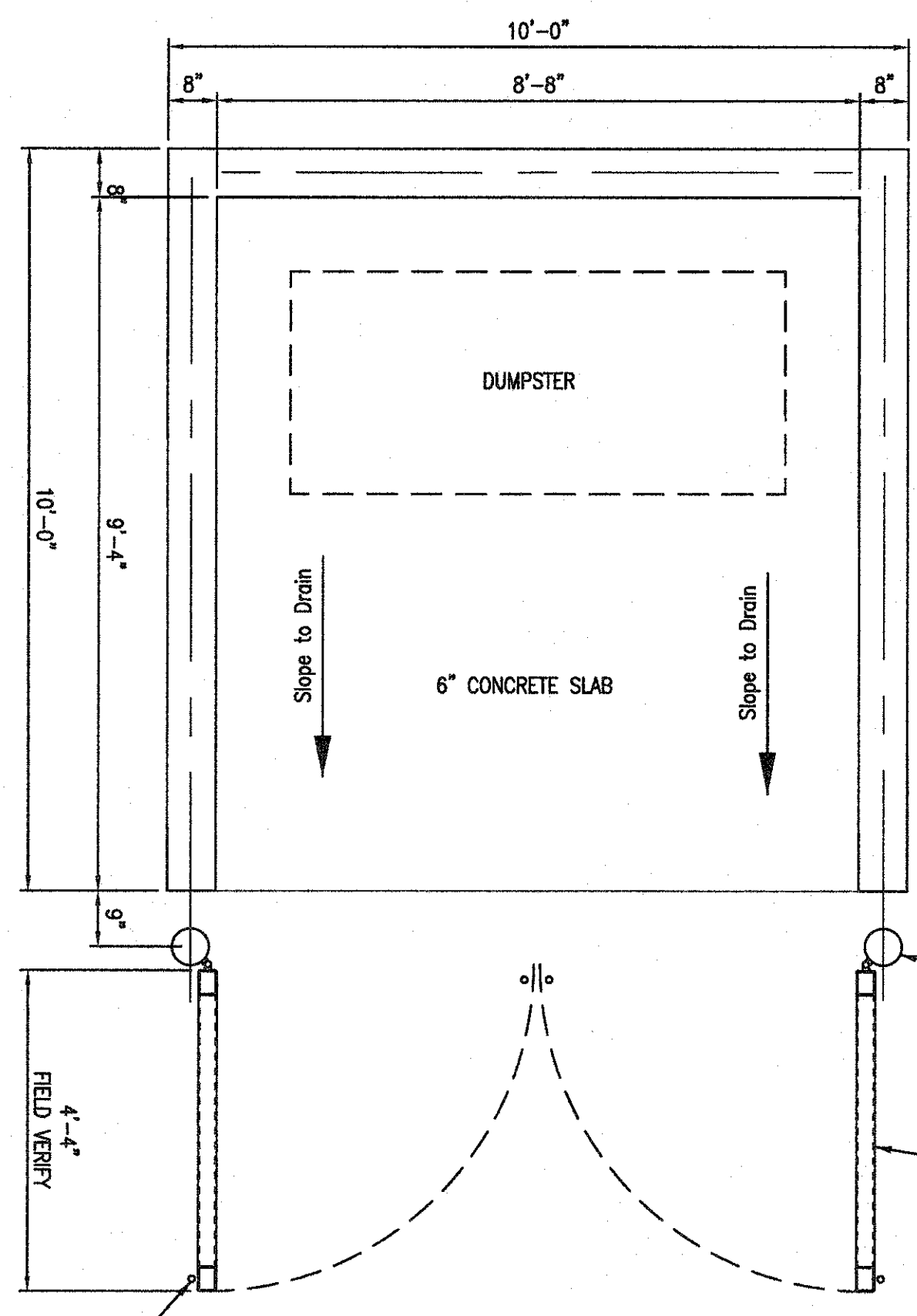
CENTRAL MISSOURI PROFESSIONAL SERVICES
 CIVIL ENGINEER & MO STATE AUTHORITY #001668
 SSC ENGINEERING, INC.
 STRUCTURAL ENGINEER, MO# 001244
 SSC ENGINEERING, INC.
 MECH / ELEC / PLUMB ENGINEERING, MO# 001244

The Architects Alliance
 Missouri State Certificate of Authority #000143
 631 West Main Street
 Jefferson City, Missouri
 (573)638-5000 phone

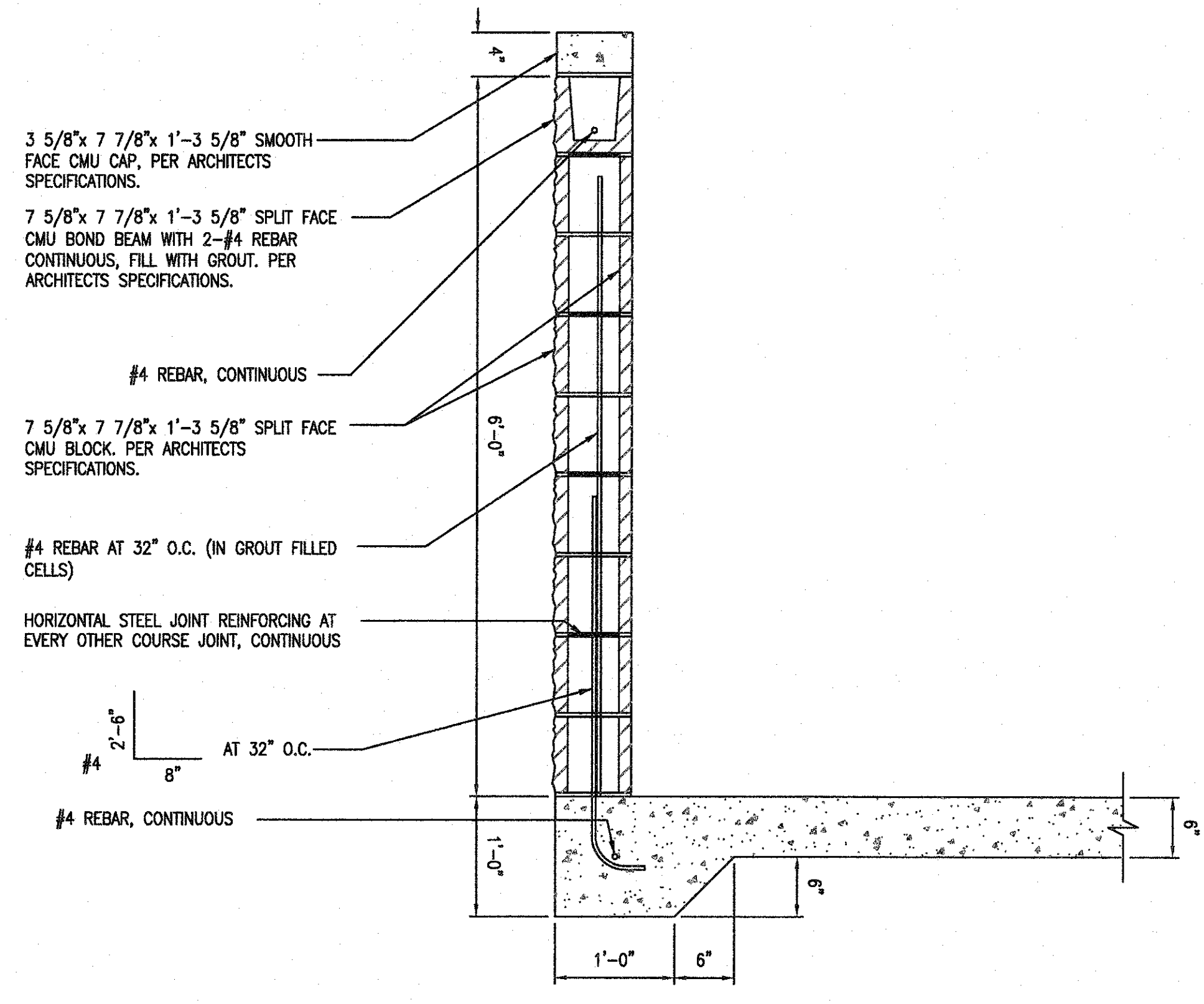
SITE DETAILS

MISSOURI SOYBEAN INNOVATION CENTER
 NEW OFFICE BUILDING
 734 S. COUNTRY CLUB DRIVE
 JEFFERSON CITY, MISSOURI

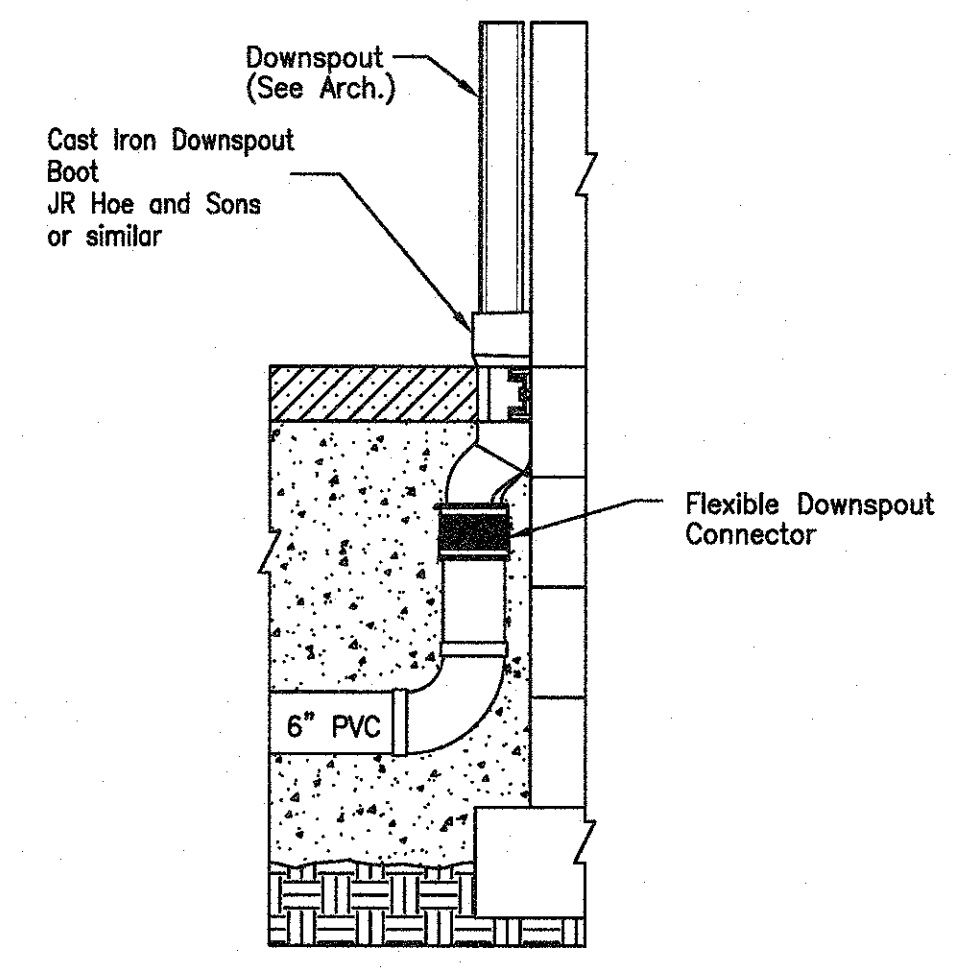
PROJECT NO. 1618
 DATE: 9/12/2018
C-501
 SHEET 7 OF 8



DUMPSTER ENCLOSURE-PLAN VIEW
 NOT TO SCALE



DUMPSTER ENCLOSURE WALL-SECTION VIEW
 NOT TO SCALE

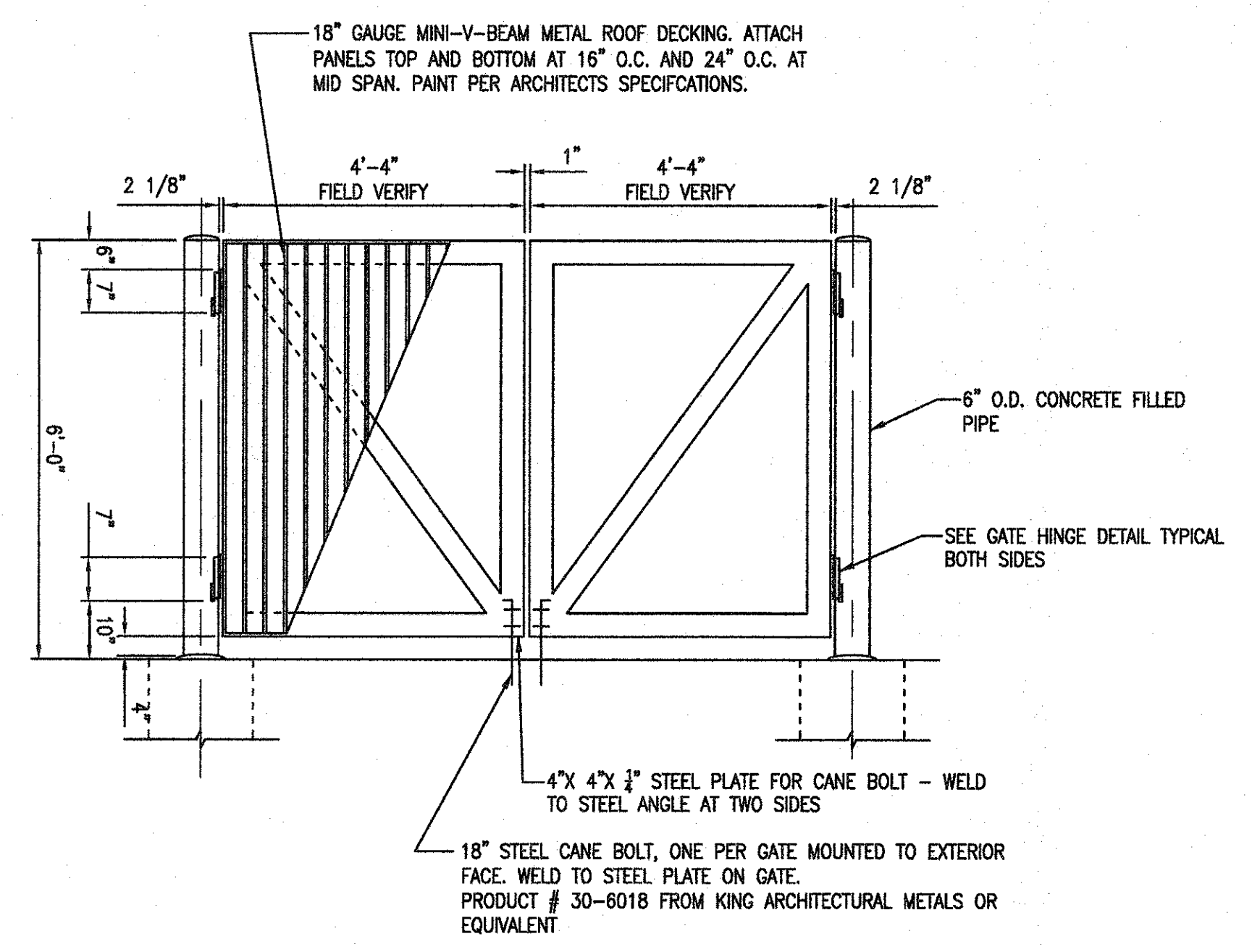


TYPICAL MOUNTING DETAIL

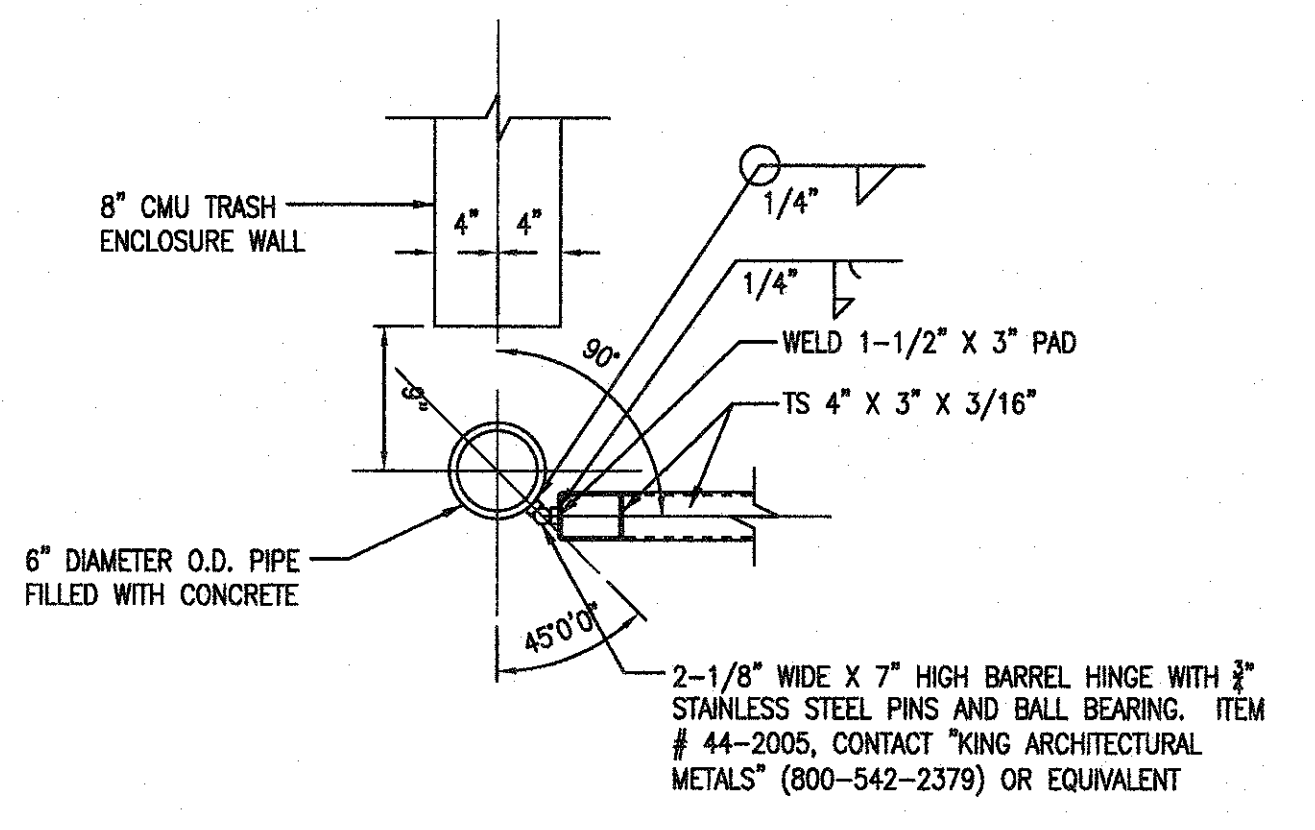
- NOTES:
- PVC Pipe shall be Schedule 40 Pipe and Fittings, in accordance with ASTM D 3034 with bell and spigot ends for gasketed joints with ASTM F 477 elastomeric seals.
 - FITTINGS: The fittings shall not reduce or impair the overall integrity or function of the pipeline. Fittings may be either molded or fabricated. Only fittings supplied or recommended by the pipe manufacturer shall be used.
 - INSTALLATION: Install PVC piping according to ASTM D2321 and ASTM F 1668. A cleanout shall be placed at the beginning of each run.

DOWNSPOUT - ROOFDRAIN LINE DETAIL
 NOT TO SCALE

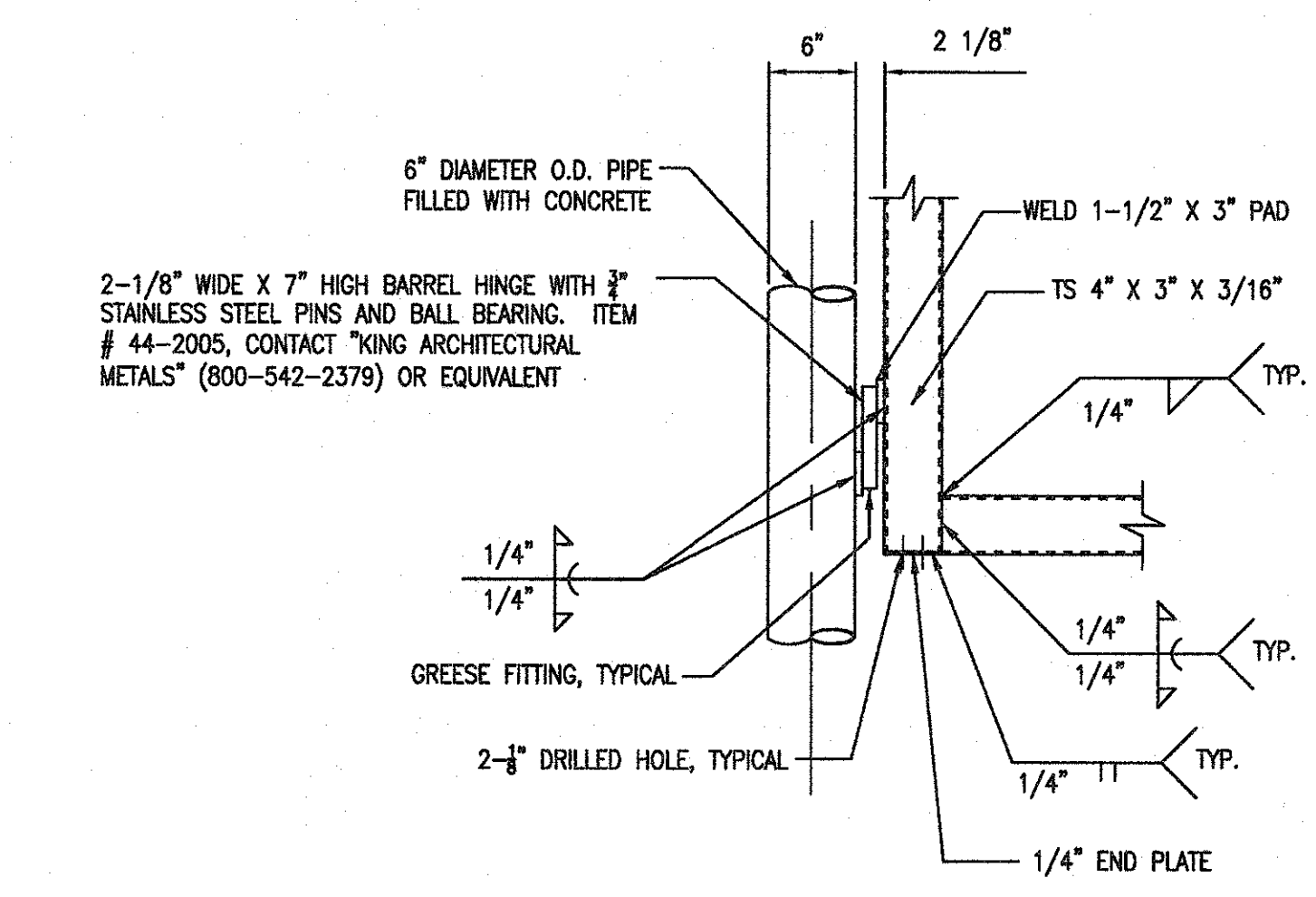
BORE HOLES IN PAVEMENT TO ACCEPT PIPE FOR CANE BOLTS FOR BOTH "OPEN" AND "CLOSED" POSITIONS, (FOUR TOTAL)



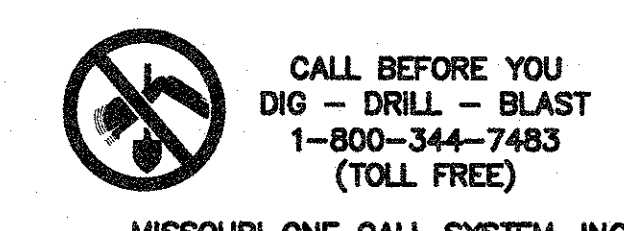
DUMPSTER ENCLOSURE GATE-FRONT VIEW
 NOT TO SCALE



GATE HINGE DETAIL-PLAN VIEW
 NOT TO SCALE



GATE HINGE DETAIL-ELEVATION VIEW
 NOT TO SCALE



CALL BEFORE YOU DIG - DRILL - BLAST
 1-800-344-7483 (TOLL FREE)
 MISSOURI ONE CALL SYSTEM, INC.
 NOTE: The Contractor will be responsible to call the Missouri One Call System 1-800-344-7483 and have the underground utilities marked or remarked prior to any construction.
 NOTE: UNDERGROUND FACILITIES, STRUCTURES AND UTILITIES, HAVE BEEN PLOTTED FROM AVAILABLE SURVEYS AND RECORDS, AND THEREFORE THEIR LOCATIONS MUST BE CONSIDERED APPROXIMATE ONLY. THERE MAY BE OTHERS, THE EXISTENCE OF WHICH IS PRESENTLY NOT KNOWN.

Space Reserved for Approving Authority