

CENTRAL MISSOURI PROFESSIONAL SERVICES, INC.
 CIVIL ENGINEER
 MISSOURI STATE CERTIFICATE OF AUTHORITY # 001558

SSC ENGINEERING, INC.
 MECHANICAL/ELECTRICAL/PLUMBING ENGINEER
 MISSOURI STATE CERTIFICATE OF AUTHORITY # 001244

SSC ENGINEERING, INC.
 STRUCTURAL ENGINEER
 MISSOURI STATE CERTIFICATE OF AUTHORITY # 001244

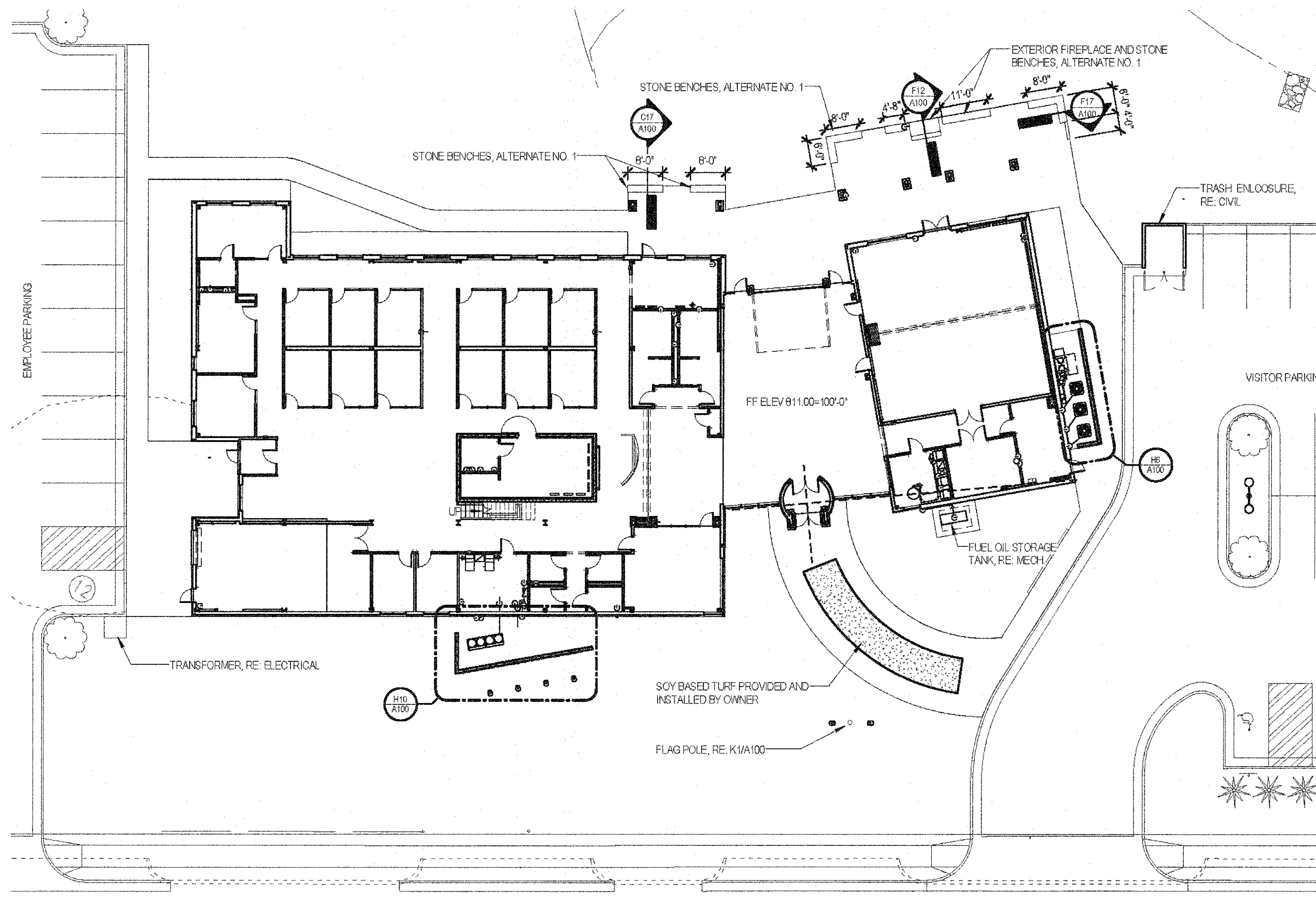
The Architects Alliance inc.
 Missouri State Certificate of Authority # 000143
 631 West Main Street
 Jefferson City, Missouri
 (573) 638-5000 phone

PAD PLAN AND SITE DETAILS

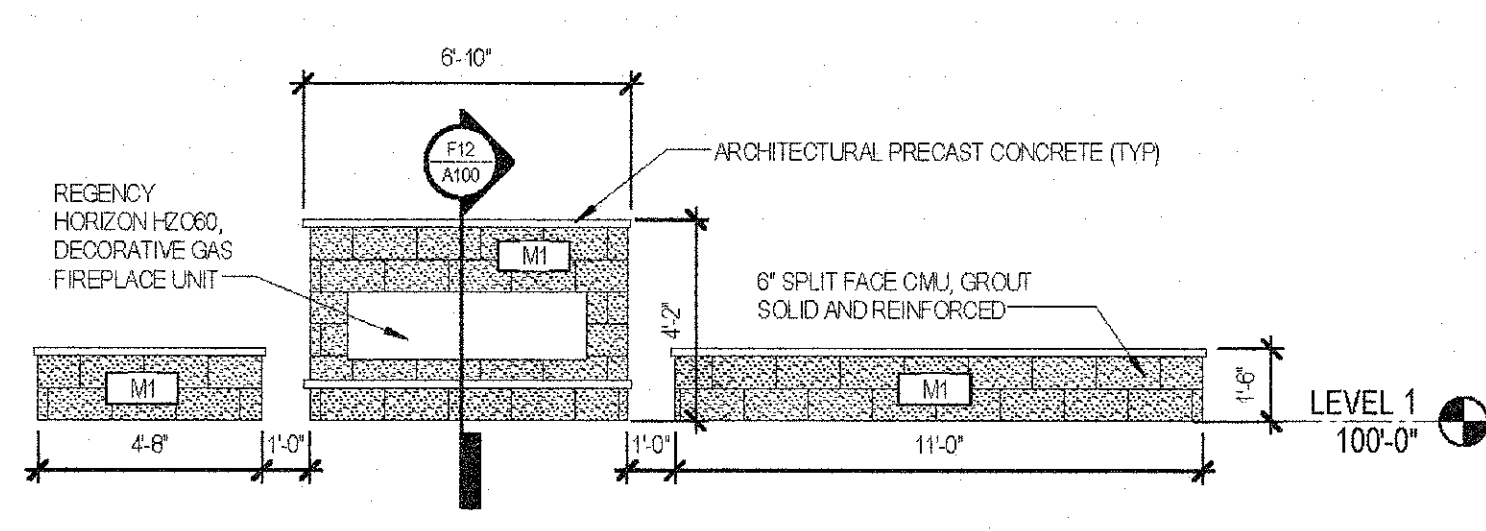
**MISSOURI SOYBEAN INNOVATION CENTER
 NEW OFFICE BUILDING**
 734 S. COUNTRY CLUB DRIVE
 JEFFERSON CITY, MISSOURI

PROJECT NO. 1613
 DATE: SEP. 12, 2018

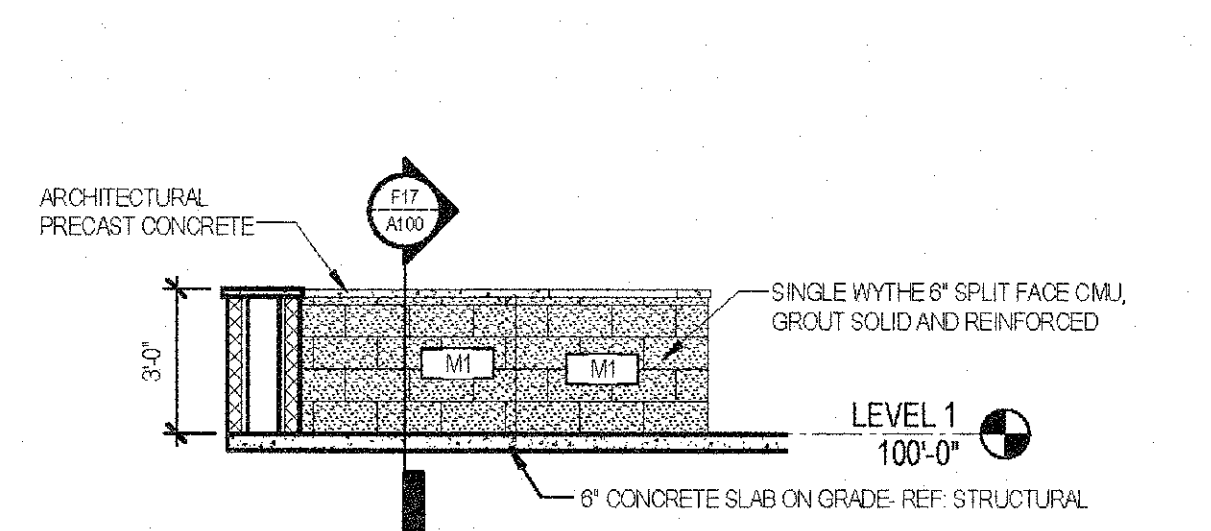
A100



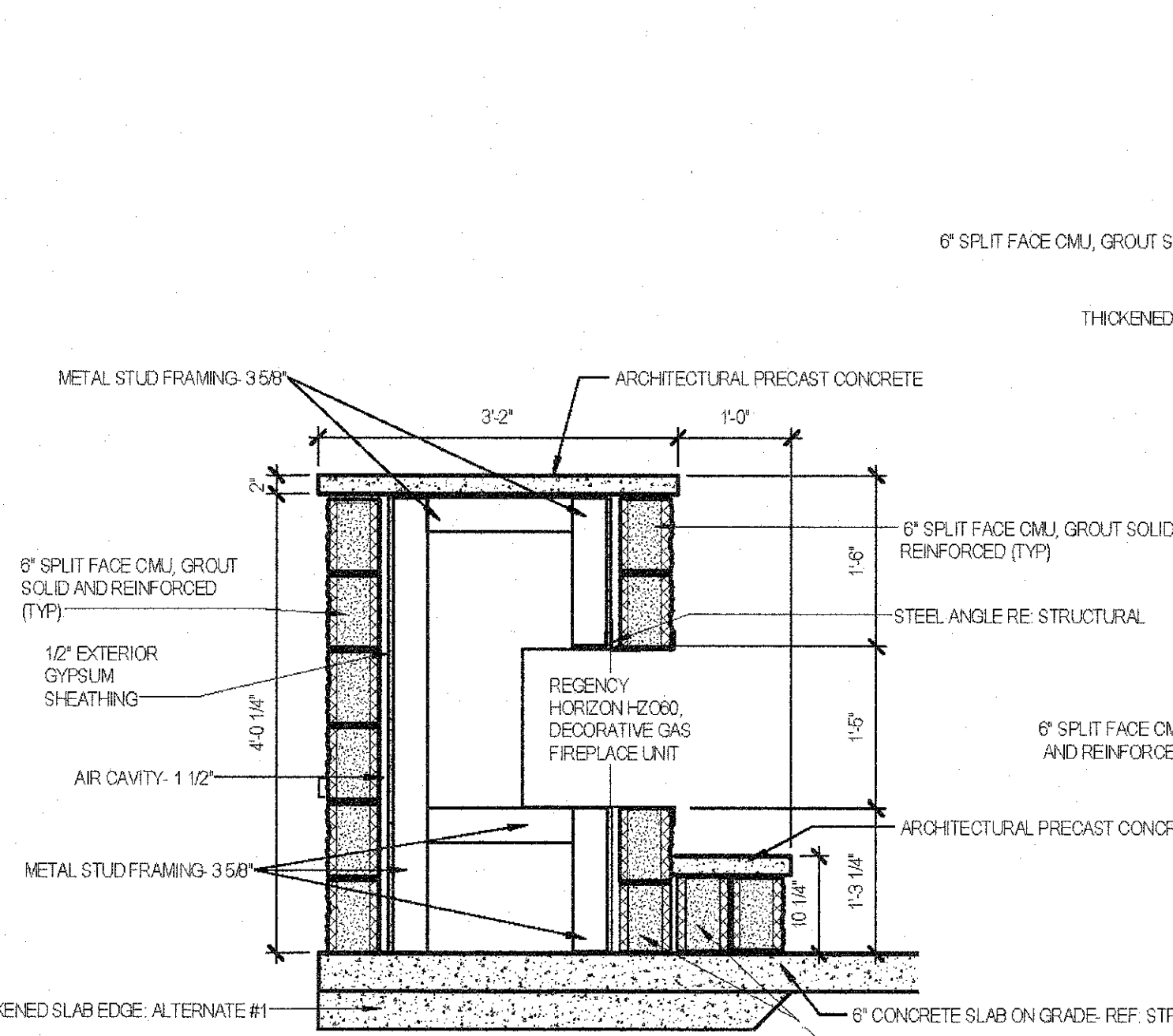
F2 ARCHITECTURAL PAD PLAN
 SCALE: 1" = 20'-0"



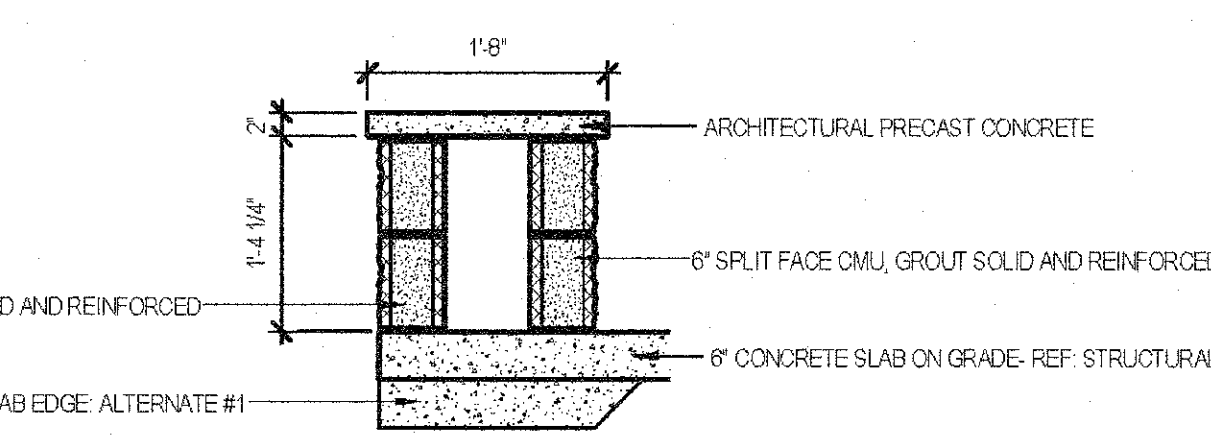
B12 EXTERIOR FIREPLACE ELEVATION- ALT. NO. 1
 SCALE: 1/4" = 1'-0"



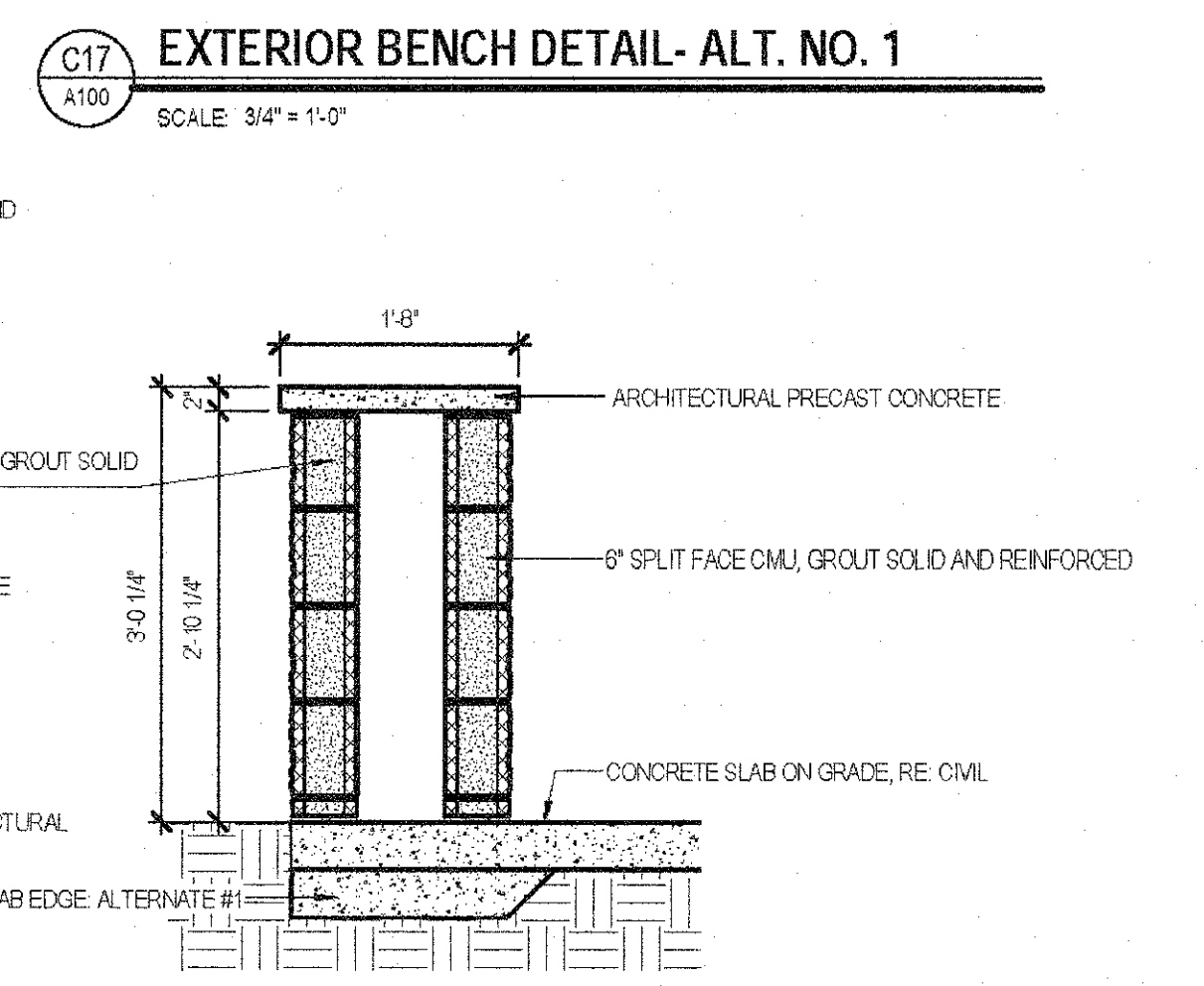
B17 EXTERIOR COUNTER DETAIL- ALT. NO. 1
 SCALE: 1/4" = 1'-0"



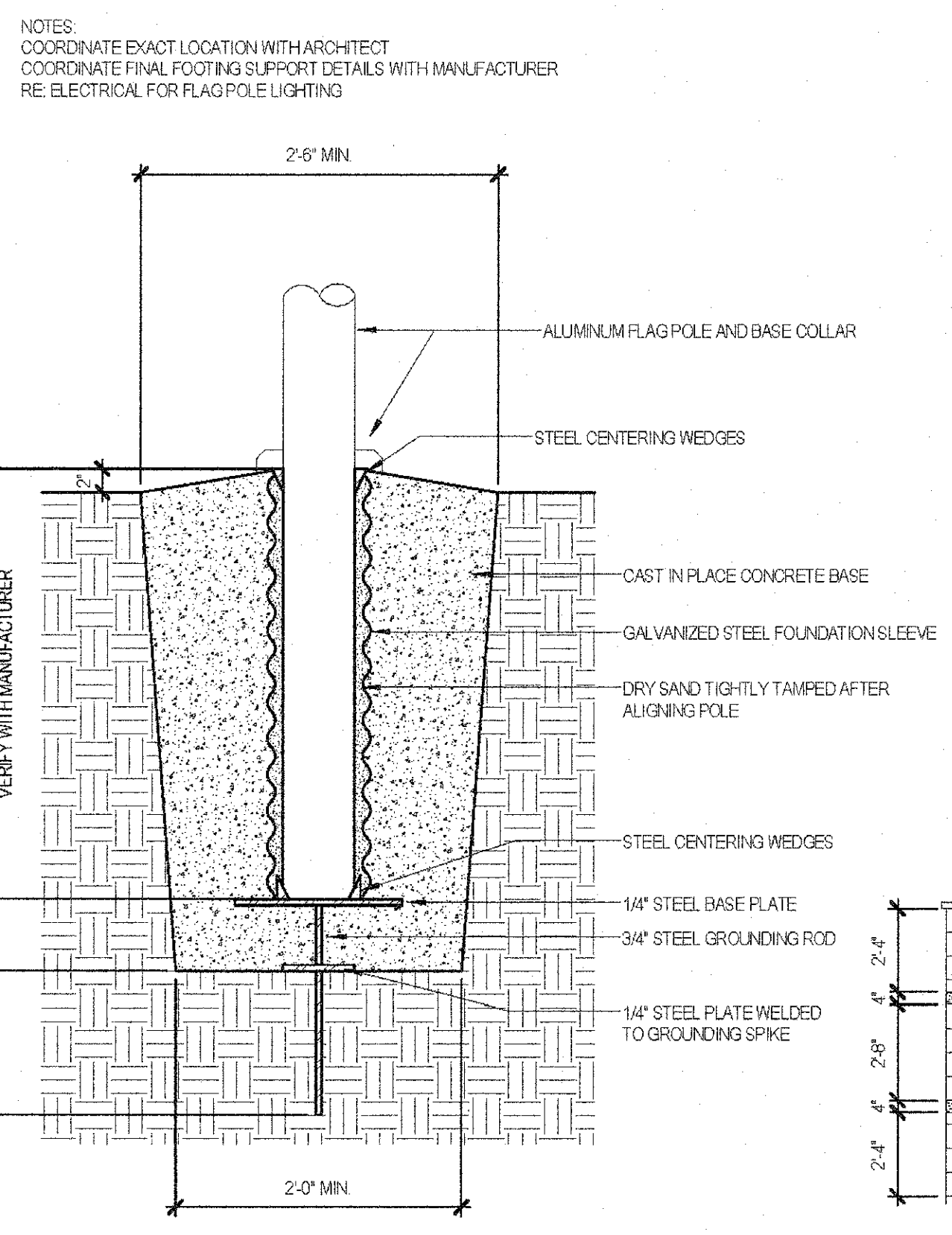
F12 EXTERIOR FIREPLACE SECTION- ALT. NO. 1
 SCALE: 3/4" = 1'-0"



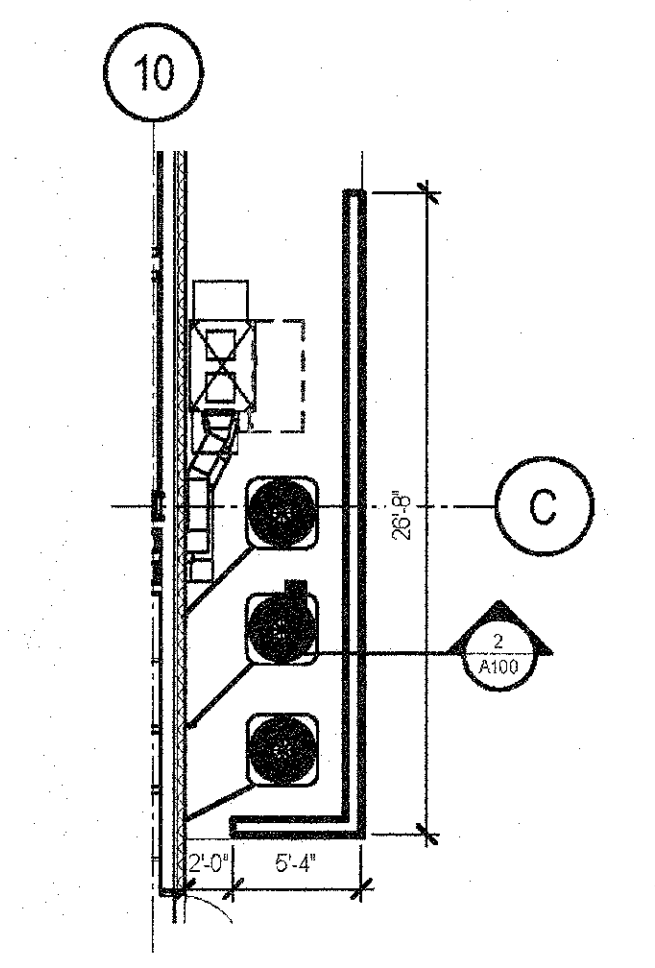
C17 EXTERIOR BENCH DETAIL- ALT. NO. 1
 SCALE: 3/4" = 1'-0"



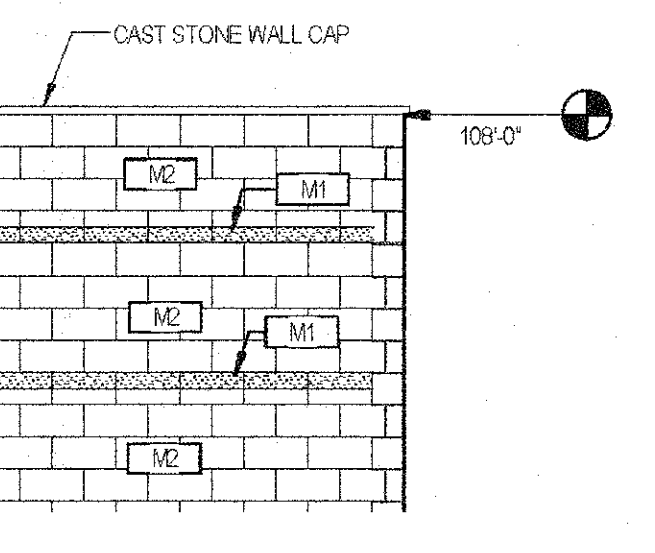
F17 EXTERIOR COUNTER- ALT. NO. 1
 SCALE: 3/4" = 1'-0"



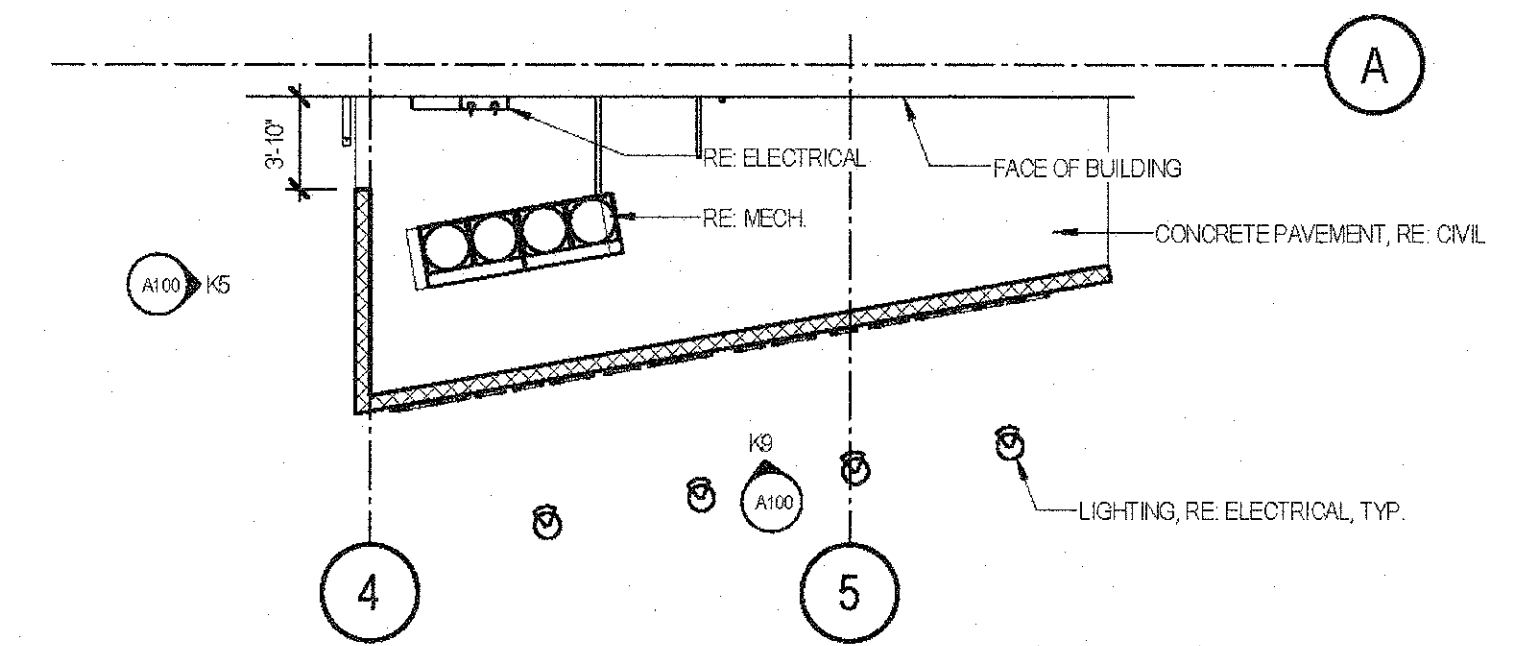
K1 FLAG POLE BASE
 SCALE: 1" = 1'-0"



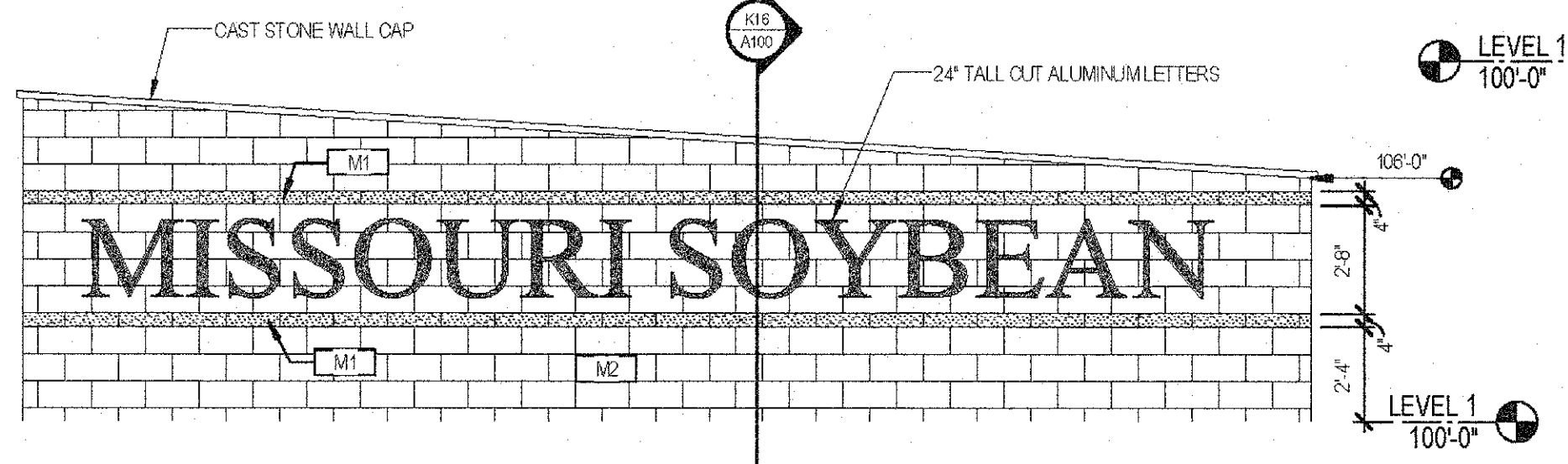
H6 ENLARGED PLAN- SCREEN WALL
 SCALE: 1/8" = 1'-0"



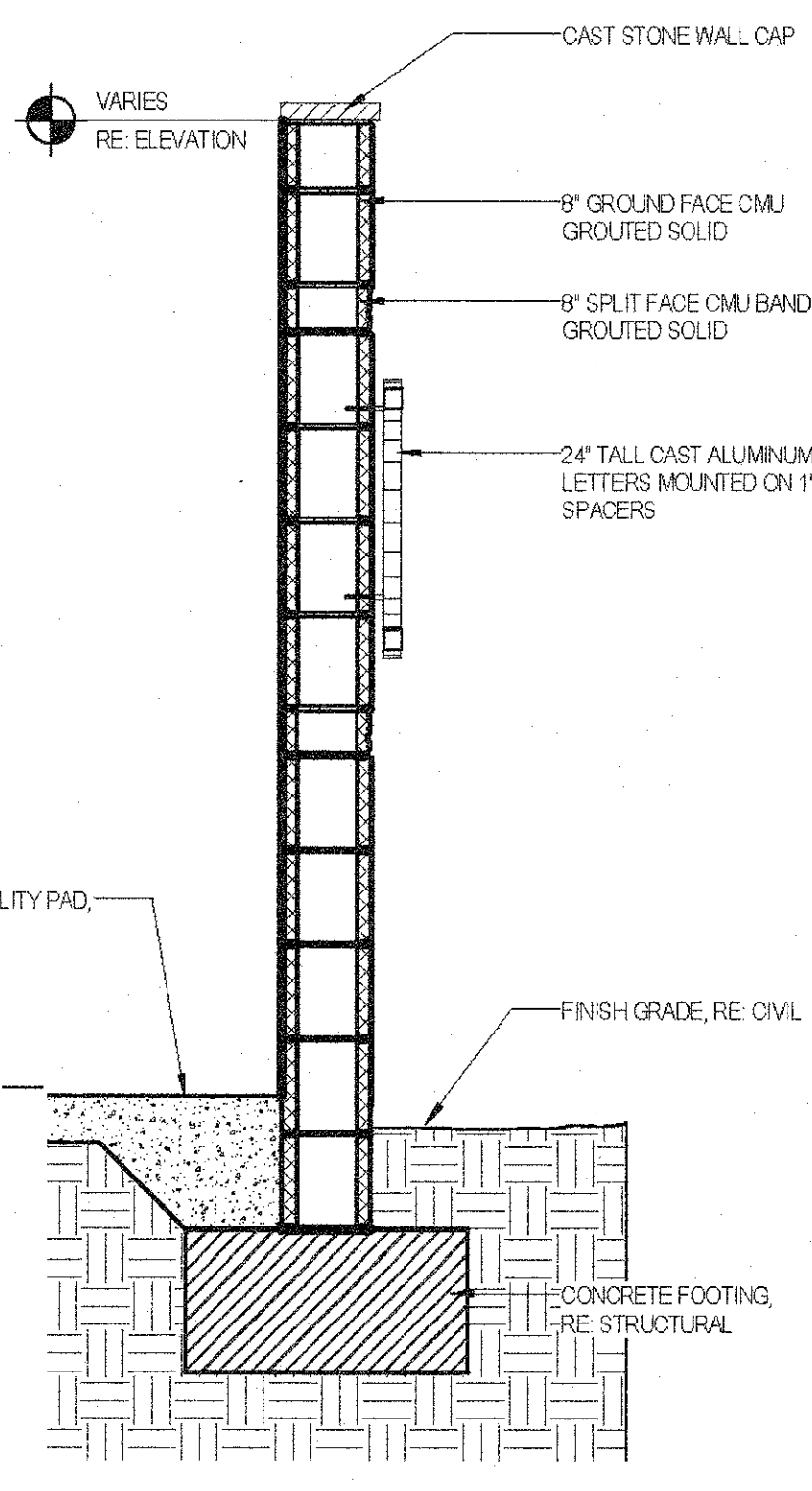
K5 SCREEN WALL SIDE ELEVATION
 SCALE: 1/4" = 1'-0"



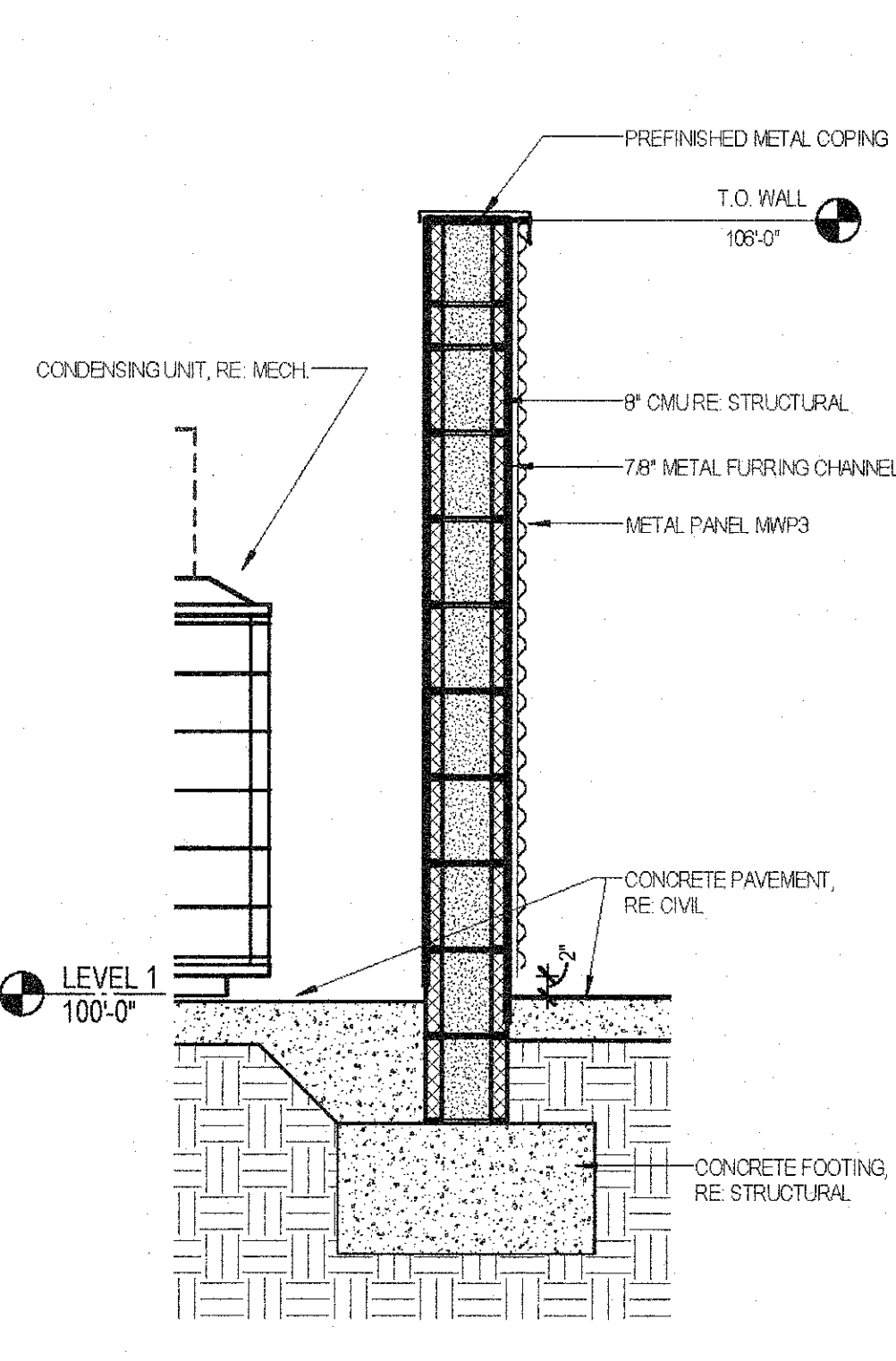
H10 ENLARGED PLAN- SCREEN WALL
 SCALE: 1/8" = 1'-0"



K9 SCREEN WALL FRONT ELEVATION
 SCALE: 1/4" = 1'-0"



K16 WALL SECTION
 SCALE: 3/4" = 1'-0"



2 WALL SECTION
 SCALE: 3/4" = 1'-0"