

CENTRAL MISSOURI PROFESSIONAL SERVICES, INC.
 CIVIL ENGINEER MISSOURI STATE CERTIFICATE OF AUTHORITY # 001568
 SSC ENGINEERING, INC.
 MECHANICAL/ELECTRICAL/PLUMBING ENGINEER MISSOURI STATE CERTIFICATE OF AUTHORITY # 001244
 SSC ENGINEERING, INC.
 STRUCTURAL ENGINEER MISSOURI STATE CERTIFICATE OF AUTHORITY # 001244



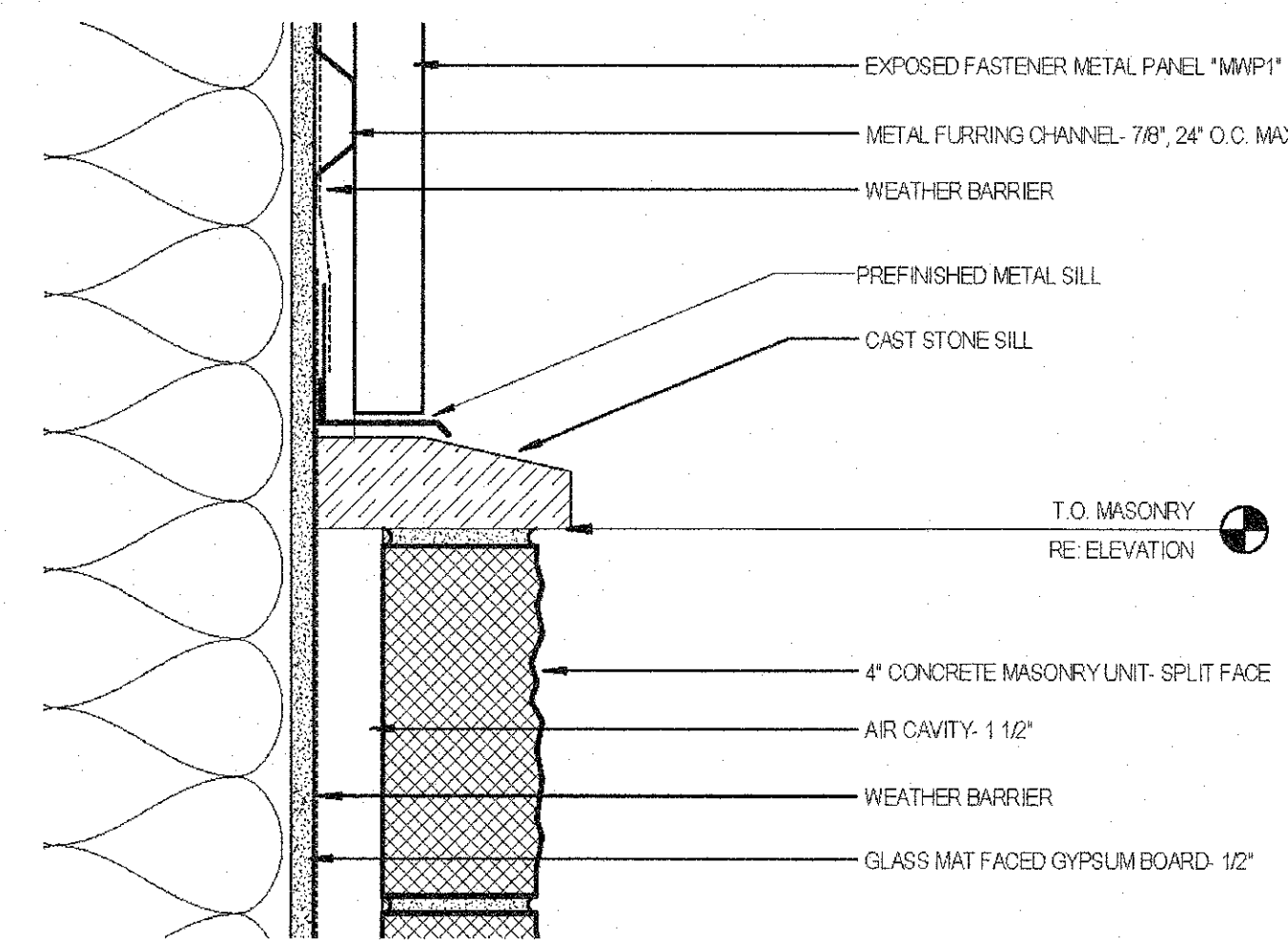
Missouri State Certificate of Authority # 000143
 631 West Main Street
 Jefferson City, Missouri
 (573) 636-5000 phone

SECTION DETAILS

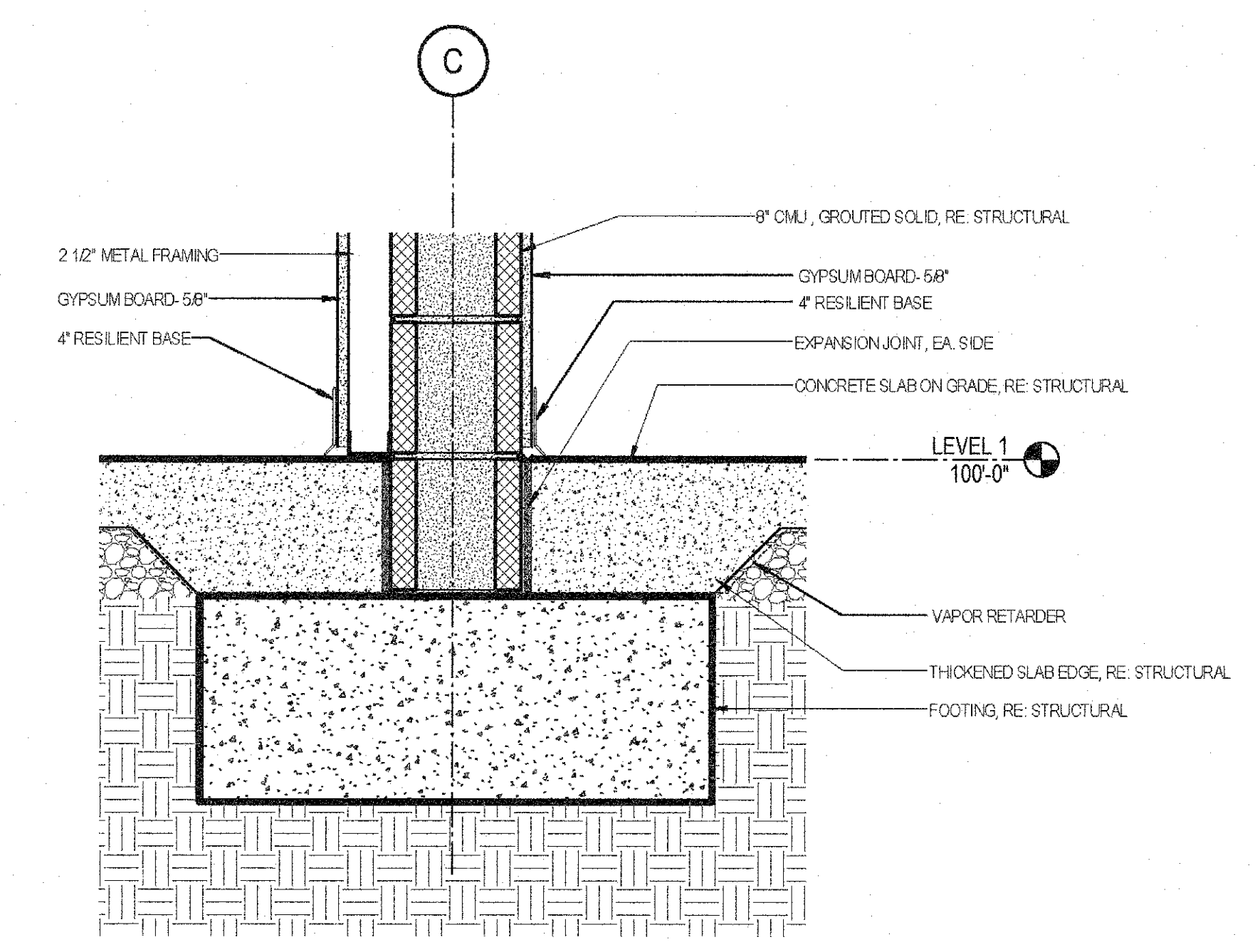
MISSOURI SOYBEAN INNOVATION CENTER
 NEW OFFICE BUILDING
 734 S. COUNTRY CLUB DRIVE
 JEFFERSON CITY, MISSOURI

PROJECT NO. 1613
 DATE: SEP. 12, 2018

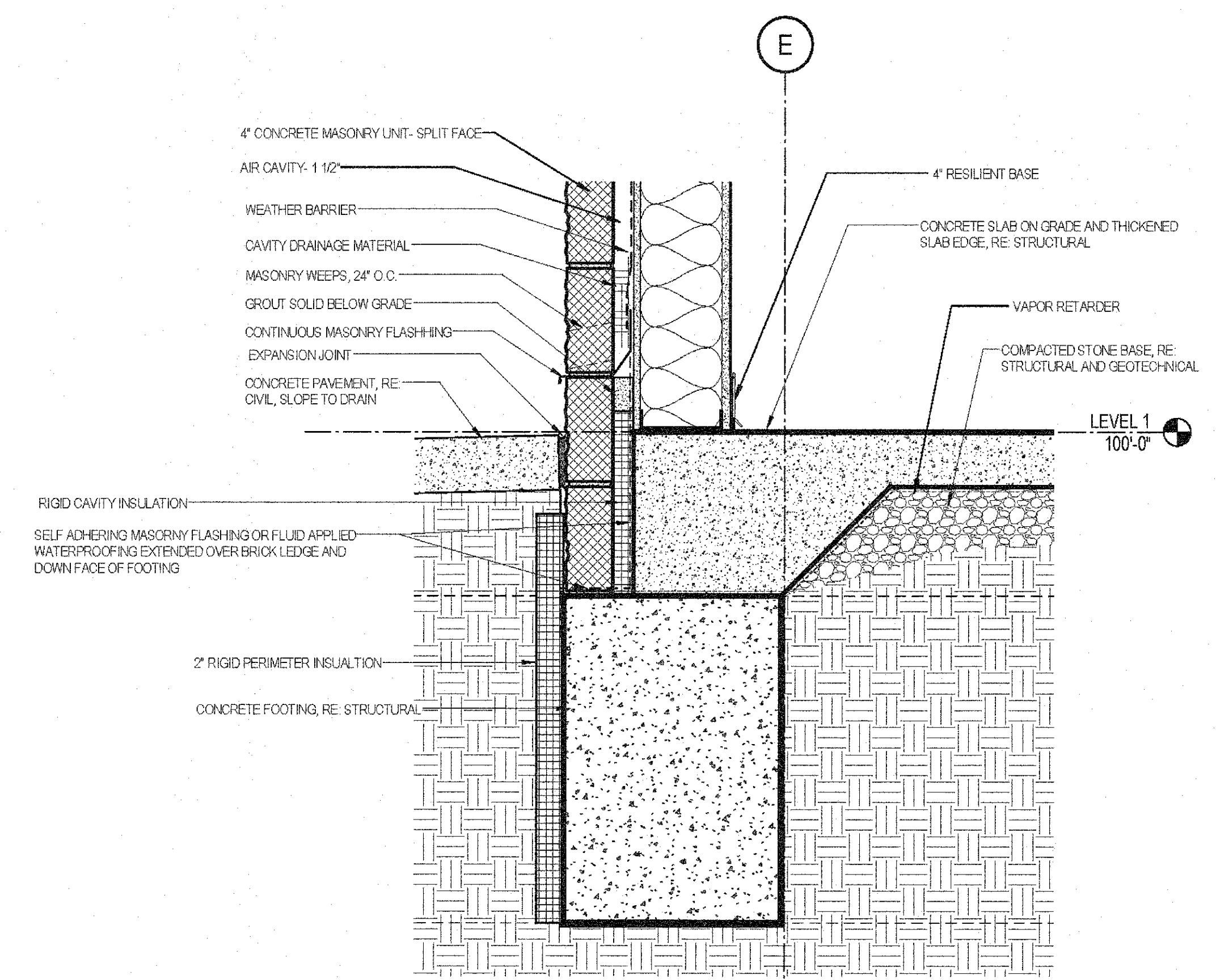
A307



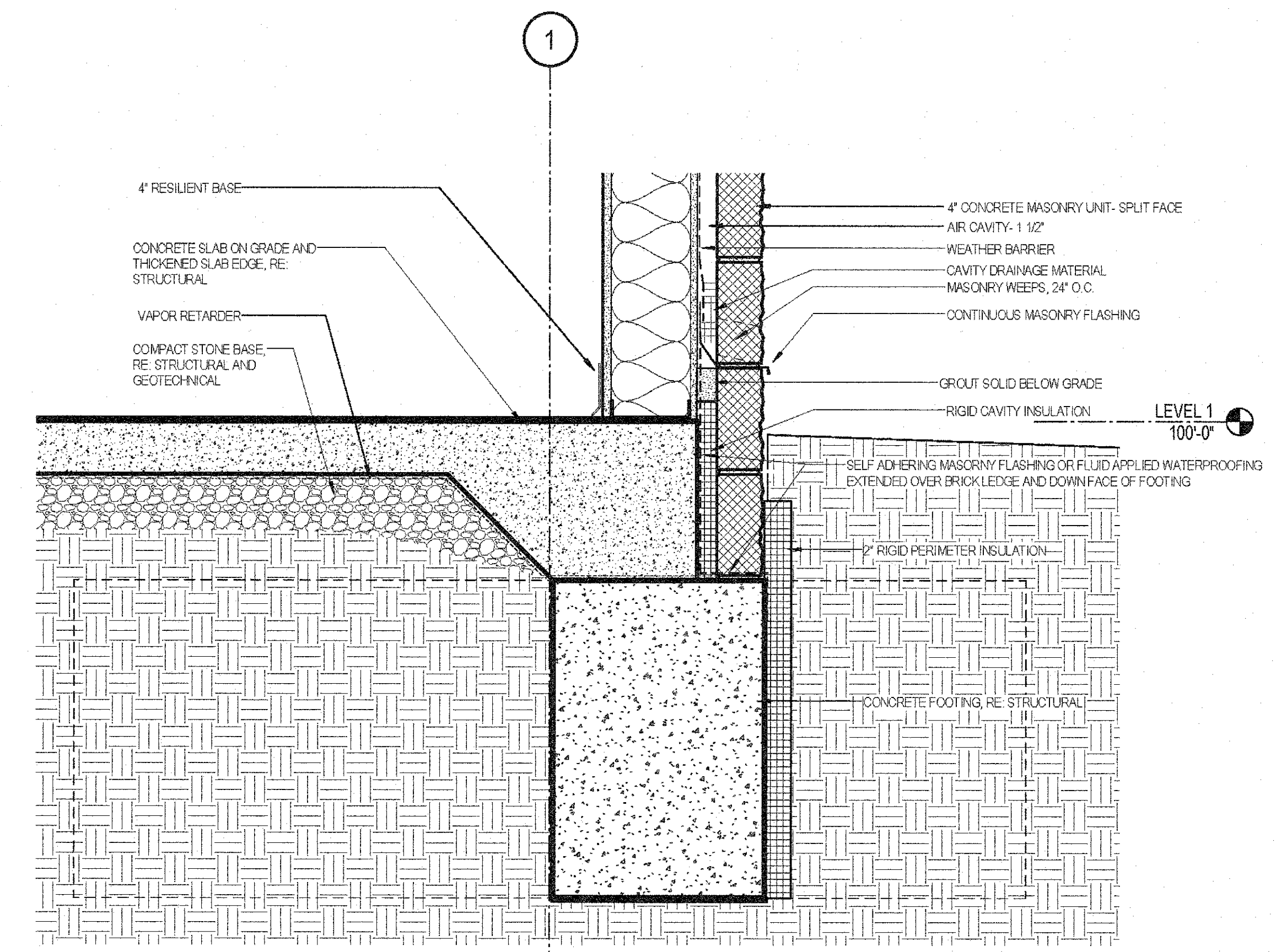
D2 MASONRY SILL
 SCALE: 3" = 1'-0"



D16 FOUNDATION AT STORM SHELTER WALL
 SCALE: 1 1/2" = 1'-0"



K1 TYPICAL FOUNDATION AT PAVEMENT
 SCALE: 1 1/2" = 1'-0"



K9 TYPICAL FOUNDATION AT GRADE
 SCALE: 1 1/2" = 1'-0"