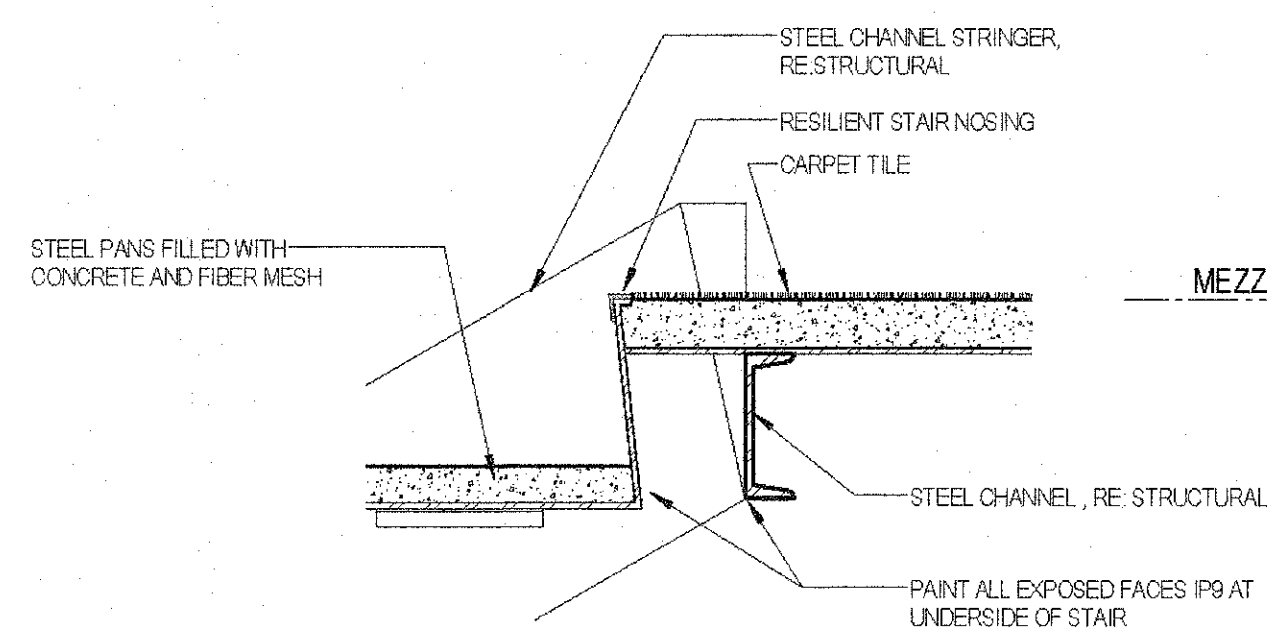
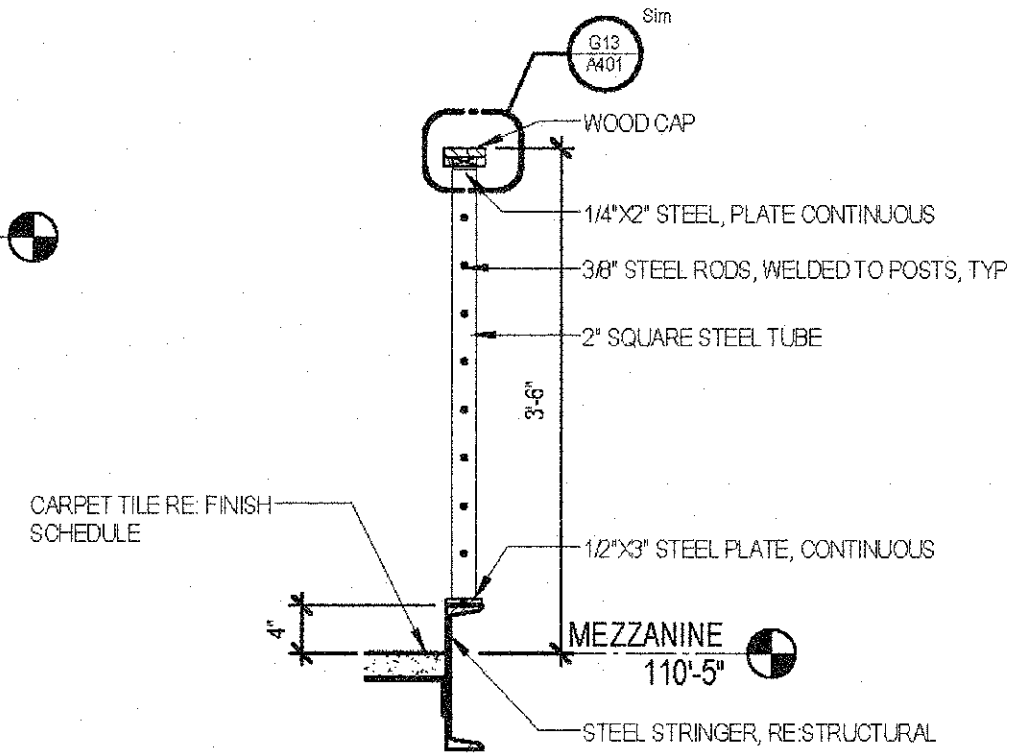


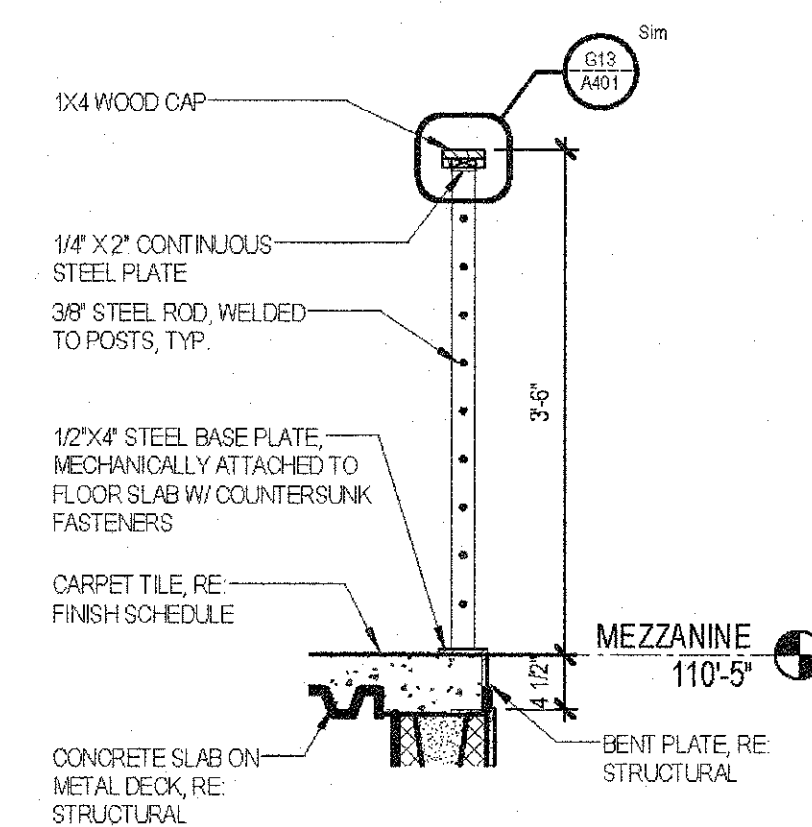
D1 STAIR DETAIL- BASE
SCALE: 1 1/2" = 1'-0"



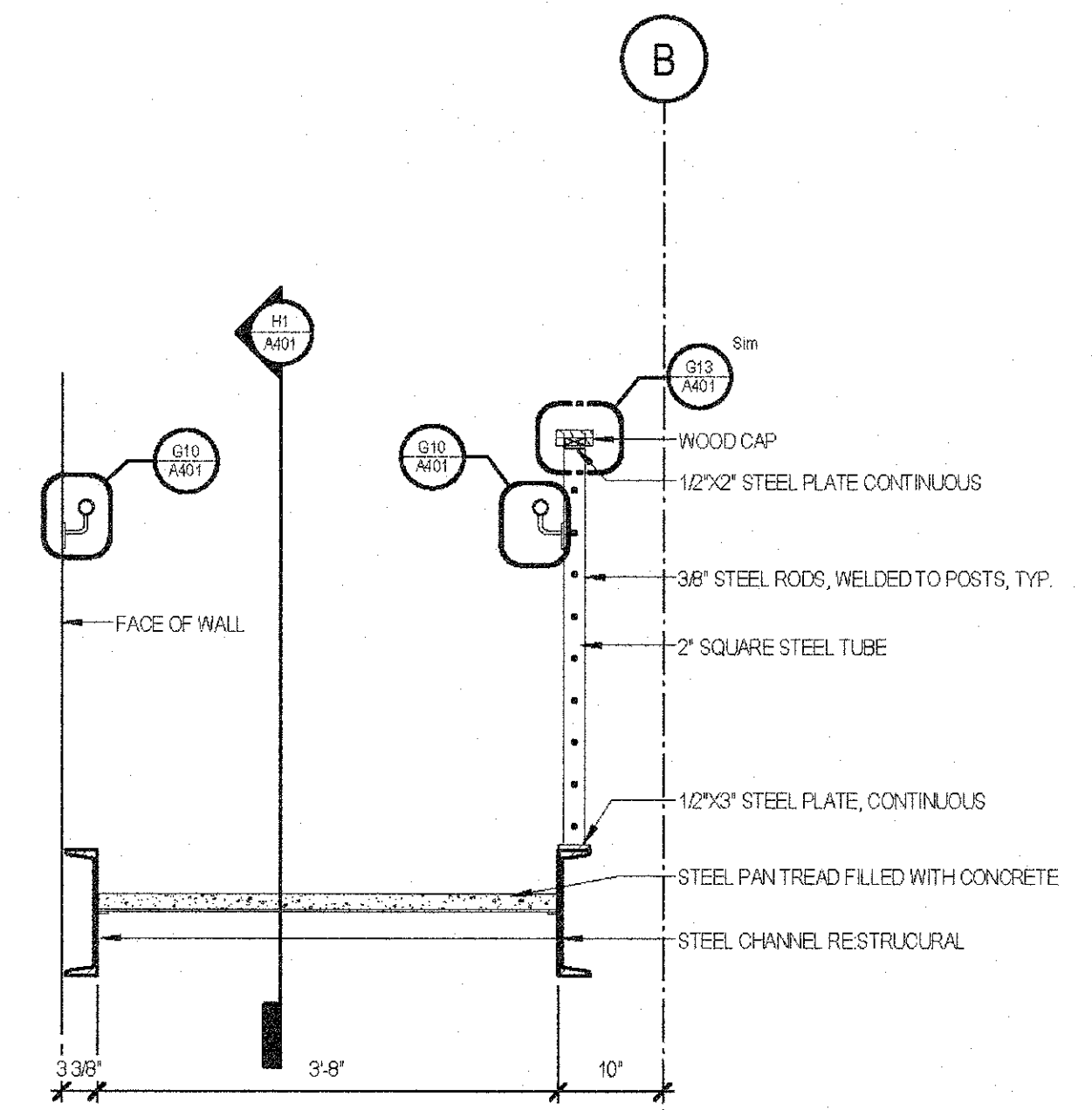
D6 STAIR DETAIL- TOP
SCALE: 1 1/2" = 1'-0"



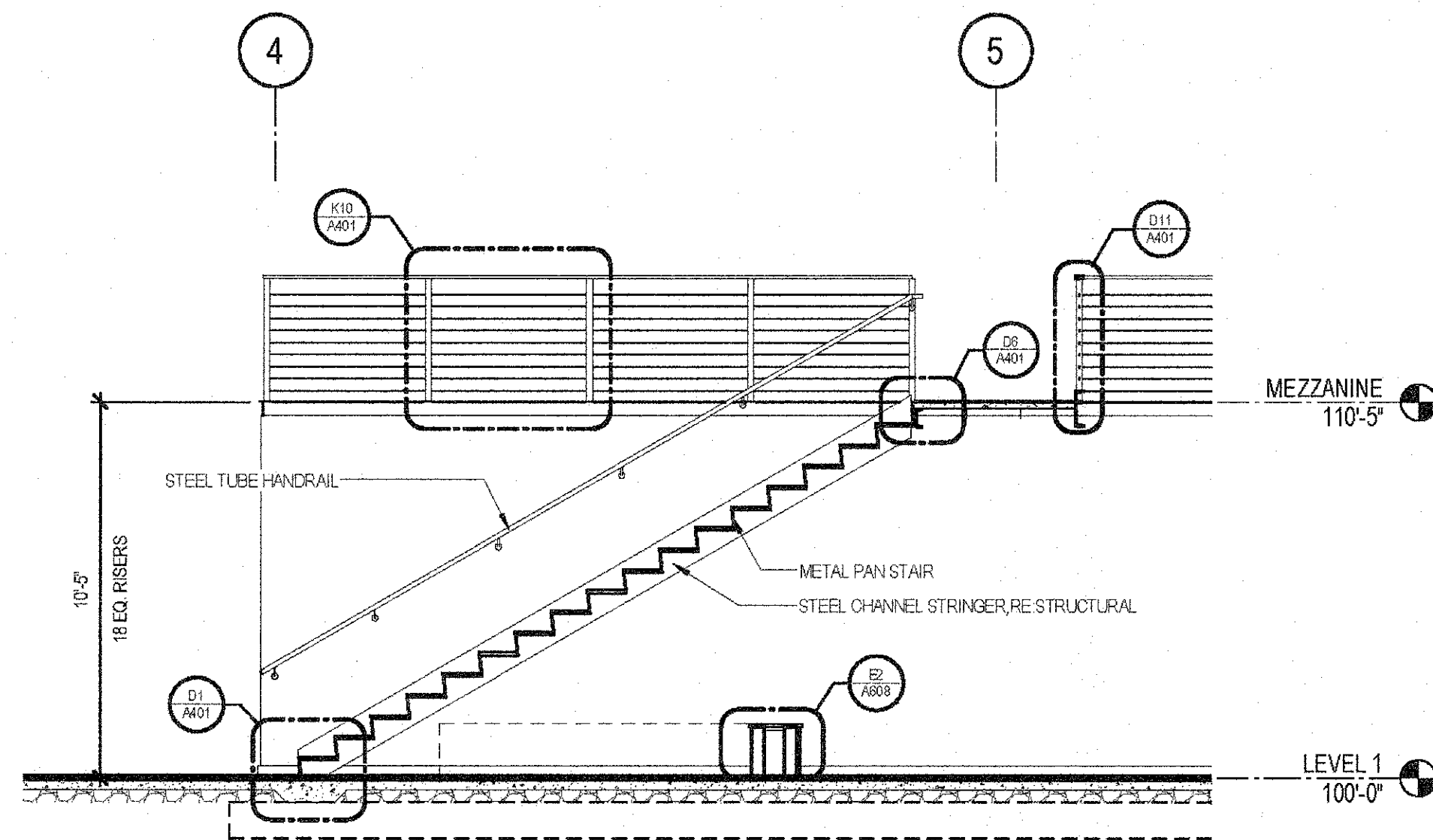
D11 RAILING DETAIL AT LANDING
SCALE: 3/4" = 1'-0"



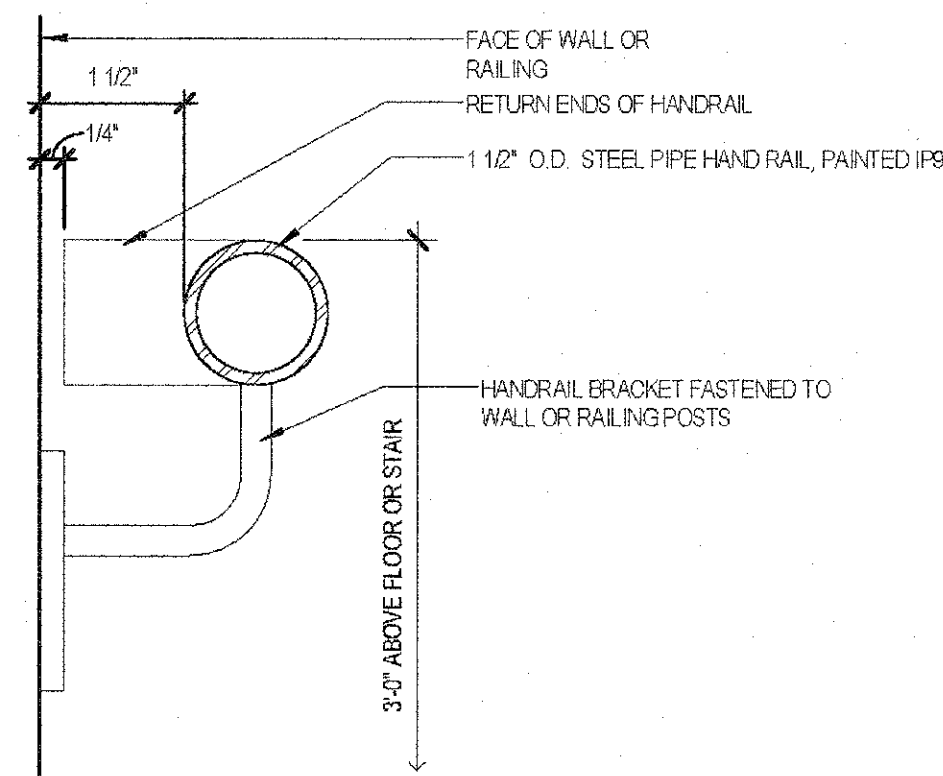
D15 RAILING DETAIL AT MEZZ.
SCALE: 3/4" = 1'-0"



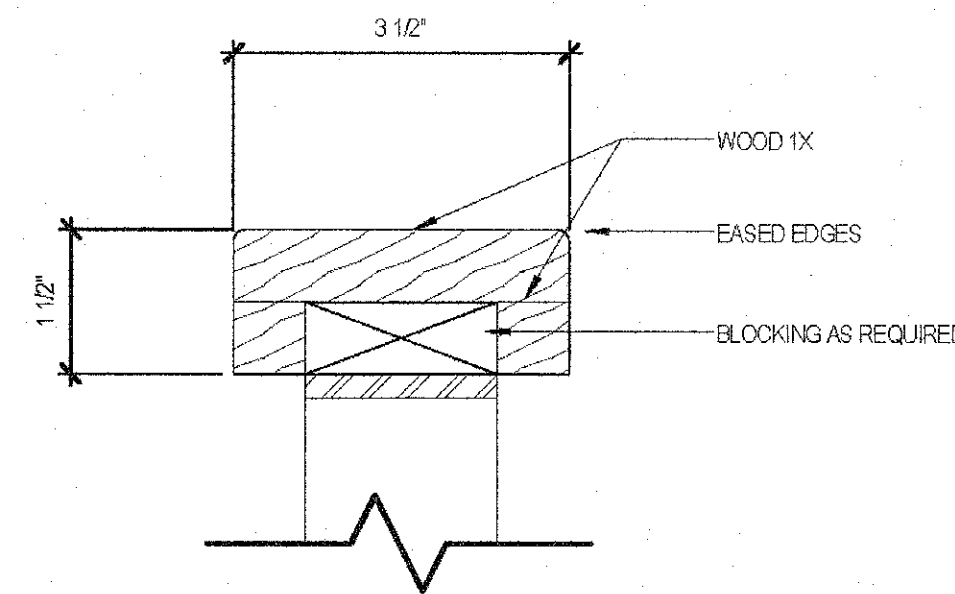
D18 RAILING DETAIL AT STAIR
SCALE: 3/4" = 1'-0"



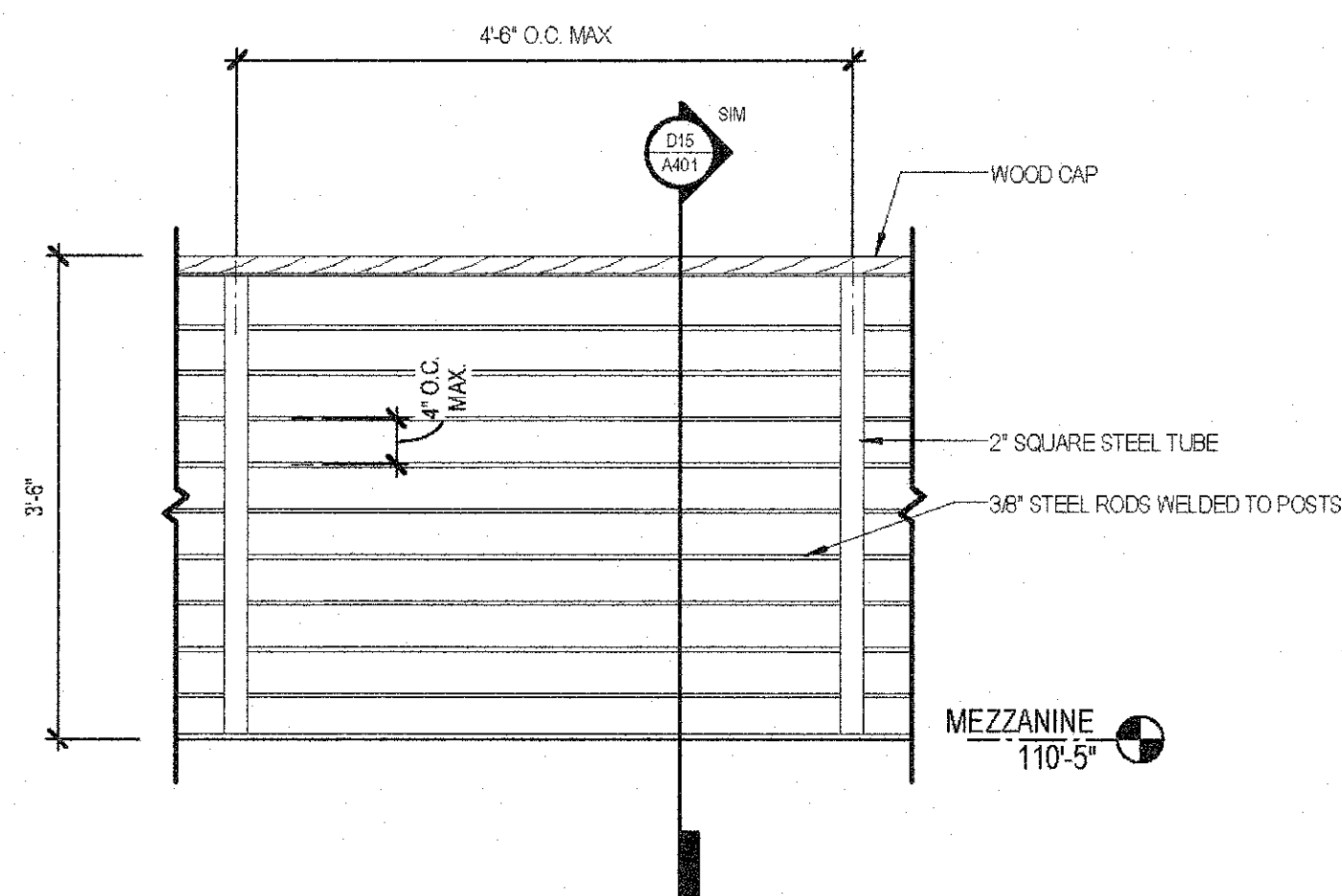
H1 STAIR SECTION
SCALE: 1/4" = 1'-0"



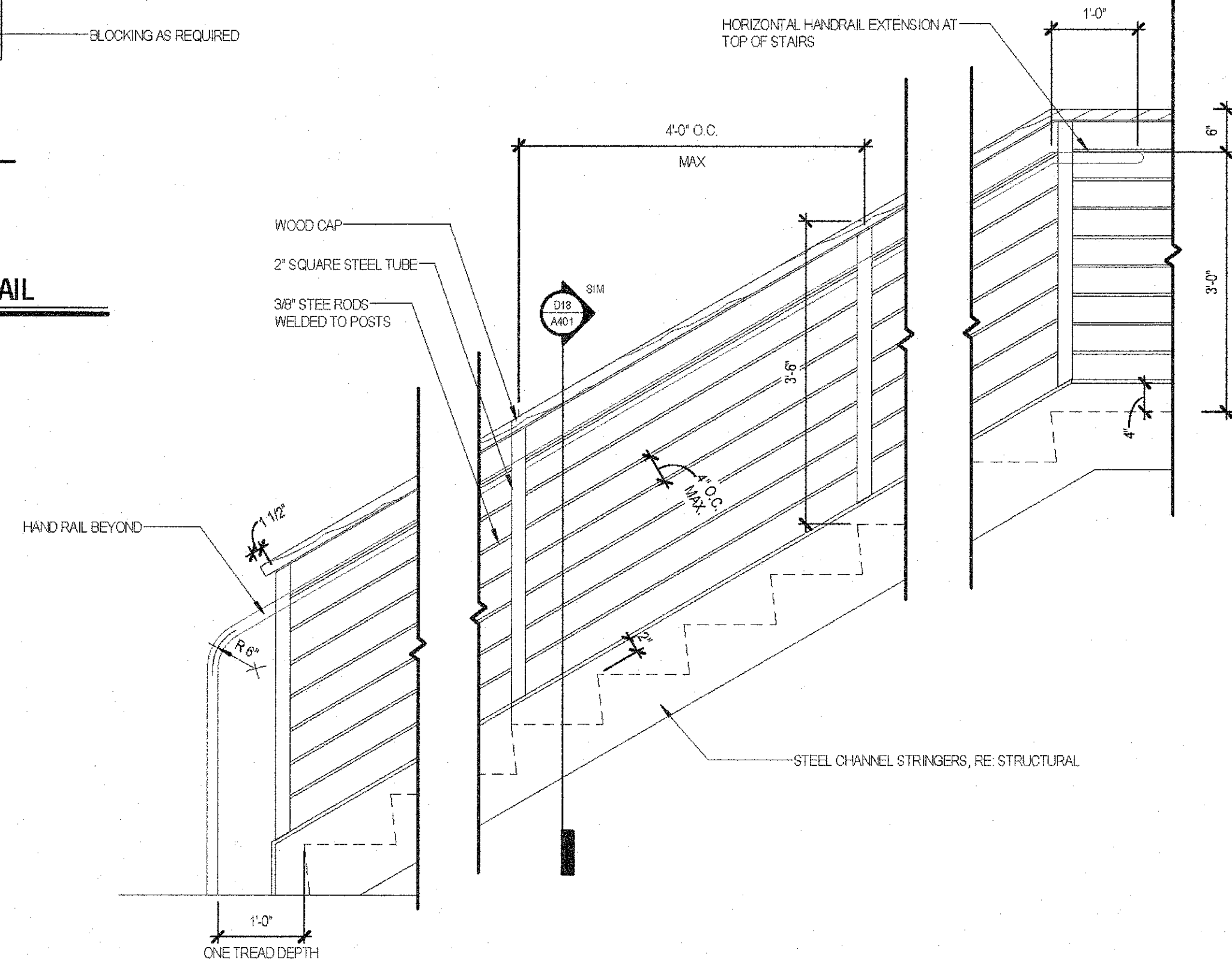
G10 HANDRAIL DETAIL
SCALE: 6" = 1'-0"



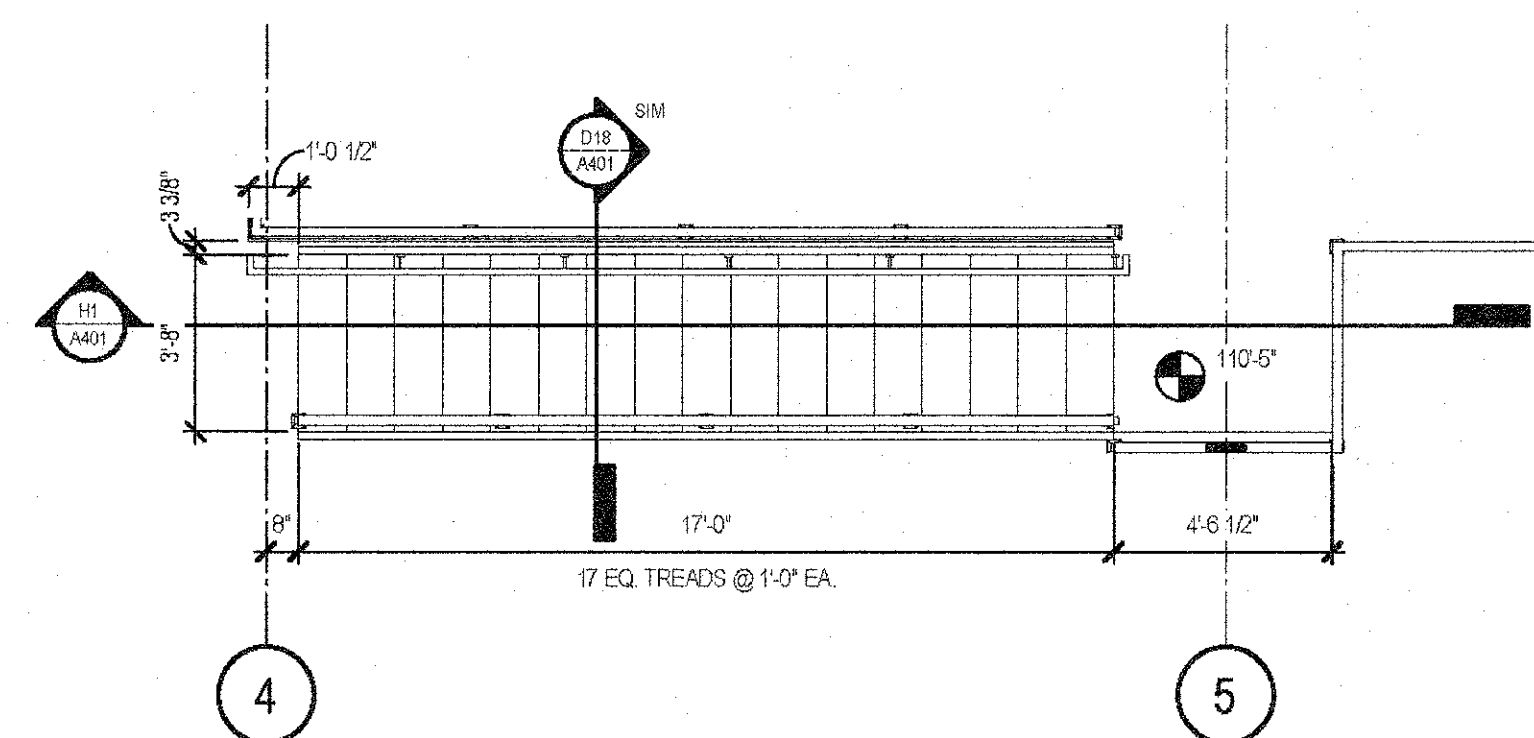
G13 WOOD CAP DETAIL
SCALE: 6" = 1'-0"



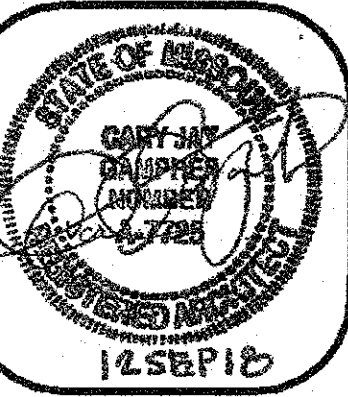
K10 TYPICAL RAILING ELEVATION
SCALE: 3/4" = 1'-0"



K17 RAILING ELEVATION AT STAIR
SCALE: 3/4" = 1'-0"



K1 ENLARGED STAIR PLAN
SCALE: 1/4" = 1'-0"



CENTRAL MISSOURI PROFESSIONAL SERVICES, INC.
CIVIL ENGINEER
MISSOURI STATE CERTIFICATE OF AUTHORITY # 001568

SSC ENGINEERING, INC.
MECHANICAL/ELECTRICAL/PLUMBING ENGINEER
MISSOURI STATE CERTIFICATE OF AUTHORITY # 001244

SSC ENGINEERING, INC.
STRUCTURAL ENGINEER
MISSOURI STATE CERTIFICATE OF AUTHORITY # 001244



Missouri State Certificate of Authority # 000143

631 West Main Street
Jefferson City, Missouri
(573) 638-5000 phone

STAIR AND RAILING DETAILS

MISSOURI SOYBEAN INNOVATION CENTER
NEW OFFICE BUILDING
734 S. COUNTRY CLUB DRIVE
JEFFERSON CITY, MISSOURI

PROJECT NO. 1613
DATE: SEP. 12, 2018

A401