

CENTRAL MISSOURI PROFESSIONAL SERVICES, INC.
 CIVIL ENGINEER MISSOURI STATE CERTIFICATE OF AUTHORITY # 001558
 SSC ENGINEERING, INC. DESIGNER
 MECHANICAL/ELECTRICAL/PLUMBING ENGINEER MISSOURI STATE CERTIFICATE OF AUTHORITY # 001244
 SSC ENGINEERING, INC. STRUCTURAL ENGINEER
 MISSOURI STATE CERTIFICATE OF AUTHORITY # 001244

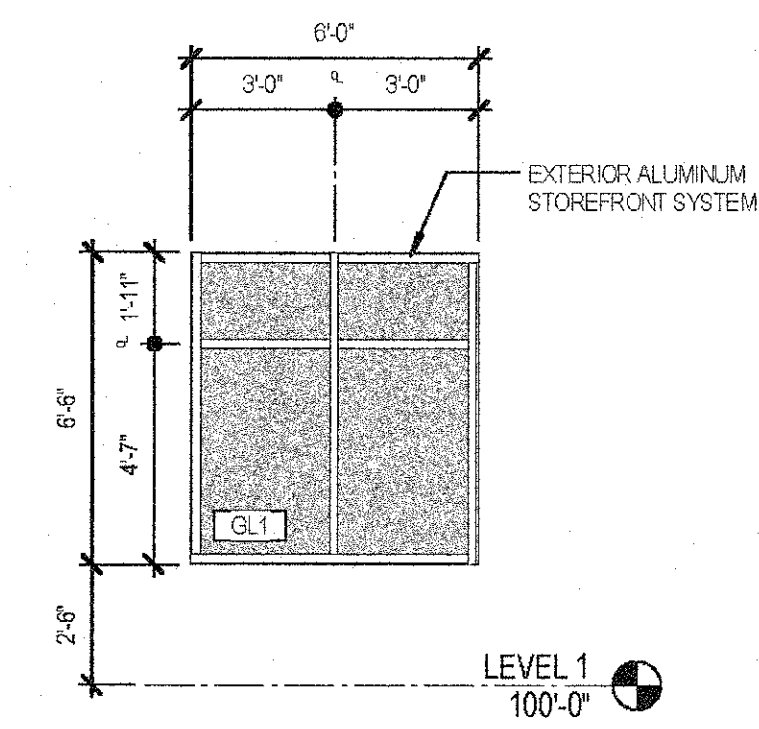
The Architects Alliance inc.
 Missouri State Certificate of Authority # 000143
 631 West Main Street
 Jefferson City, Missouri
 (573) 636-5000 phone

EXTERIOR STOREFRONT AND WINDOW DETAILS

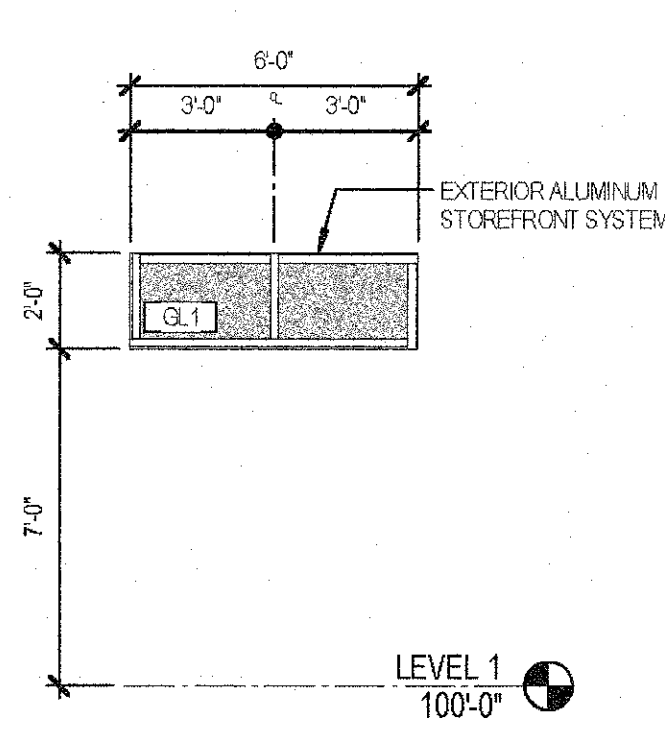
MISSOURI SOYBEAN INNOVATION CENTER
 NEW OFFICE BUILDING
 734 S. COUNTRY CLUB DRIVE
 JEFFERSON CITY, MISSOURI

PROJECT NO. 1813
 DATE: SEP. 12, 2018

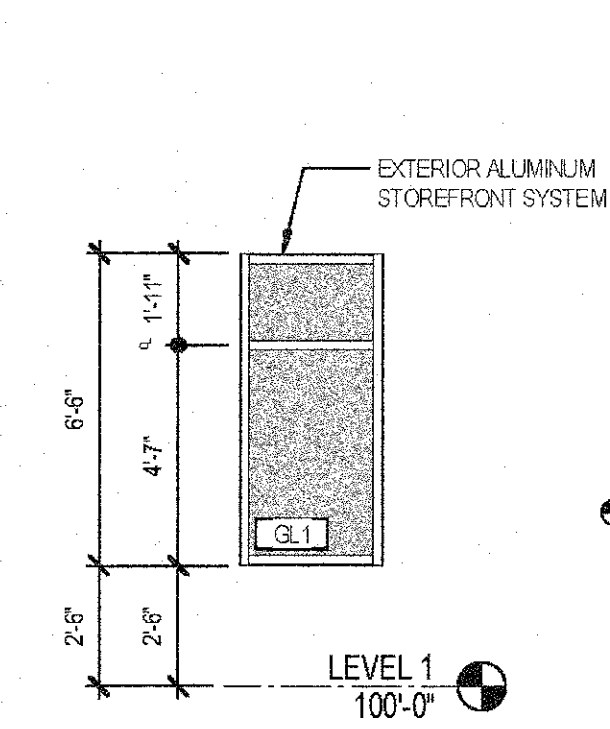
A502



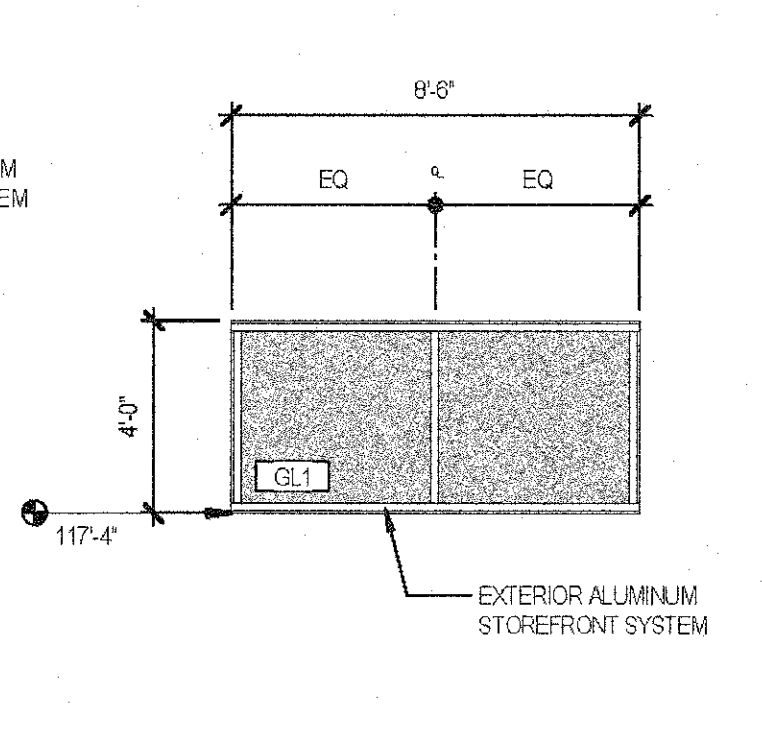
B1 STOREFRONT 'A'
 A502 SCALE: 1/4" = 1'-0"



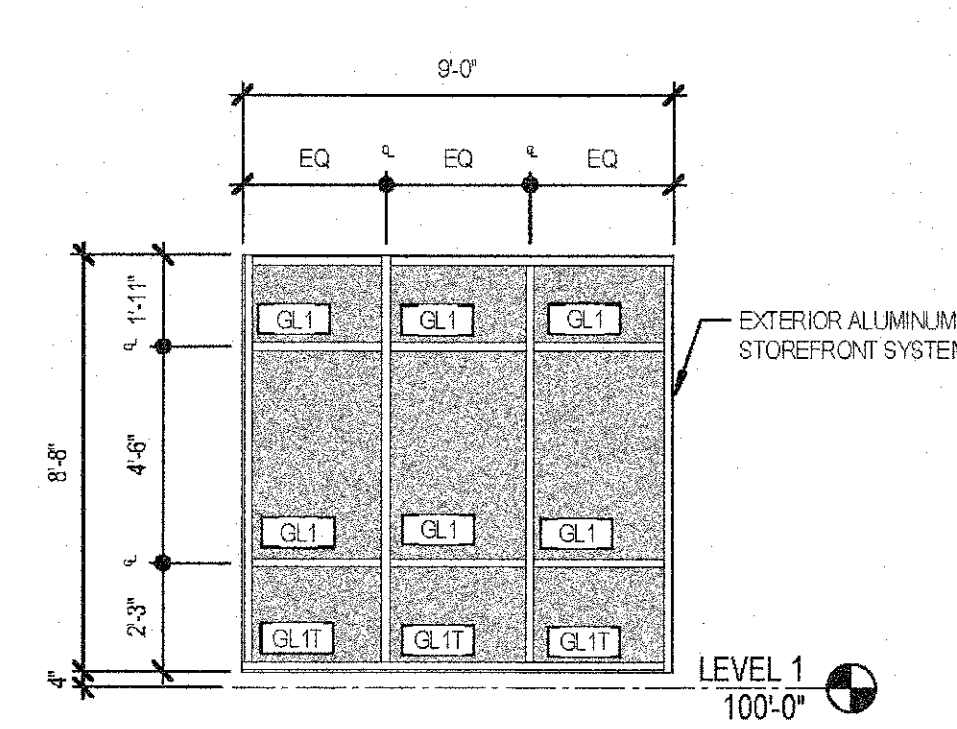
B5 STOREFRONT 'B'
 A502 SCALE: 1/4" = 1'-0"



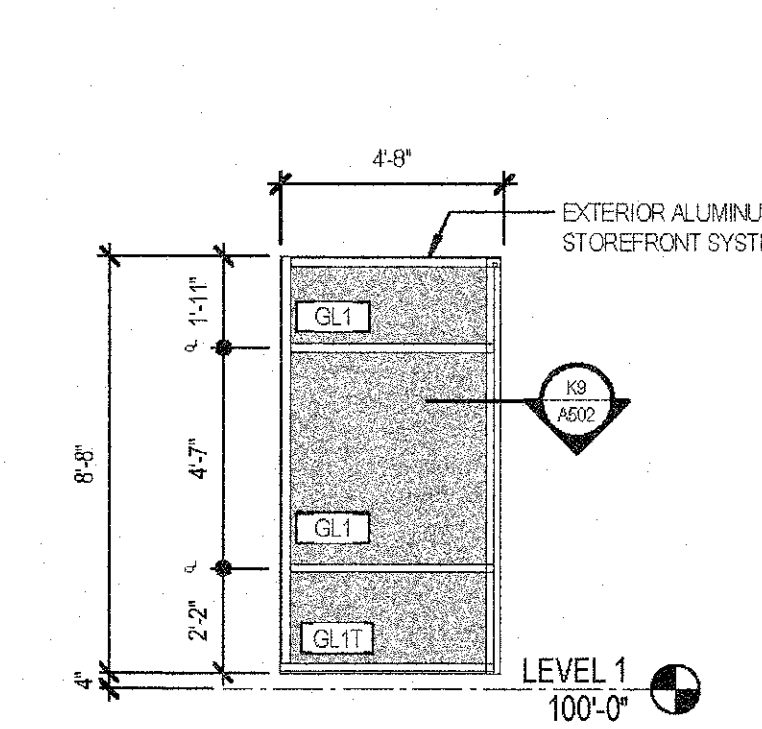
B7 STOREFRONT 'C'
 A502 SCALE: 1/4" = 1'-0"



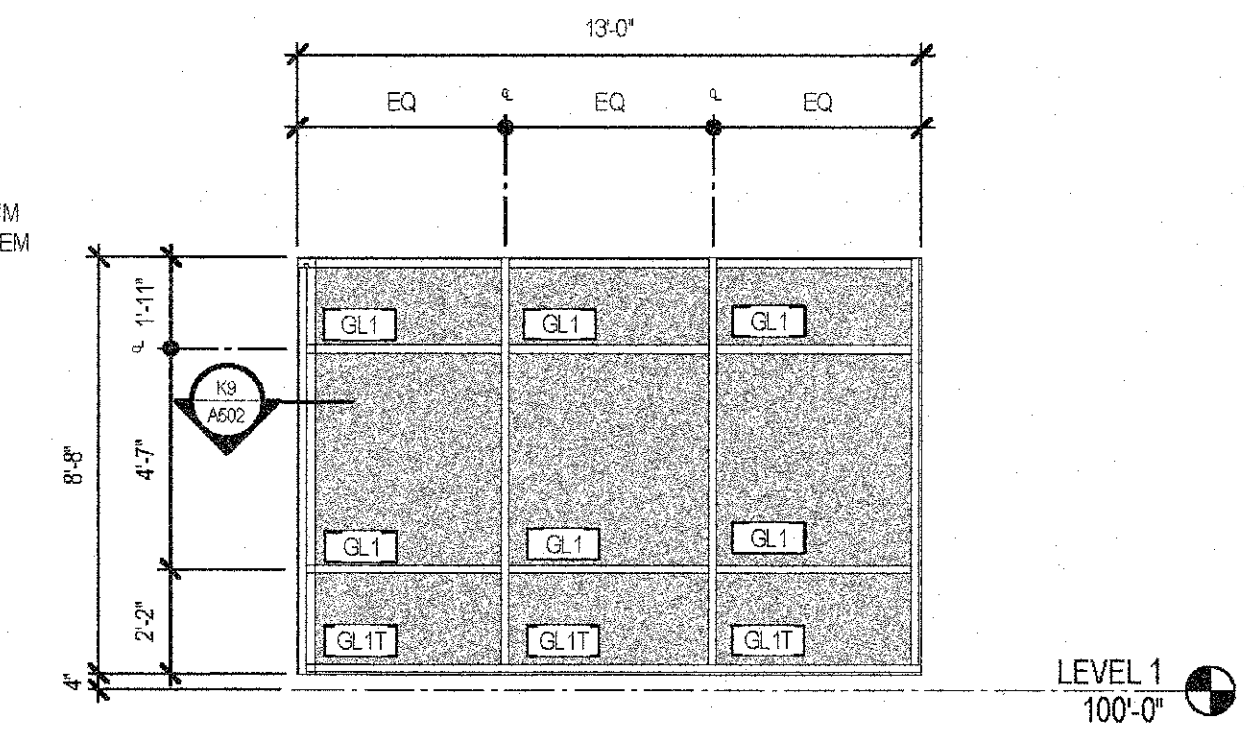
B10 STOREFRONT 'D'
 A502 SCALE: 1/4" = 1'-0"



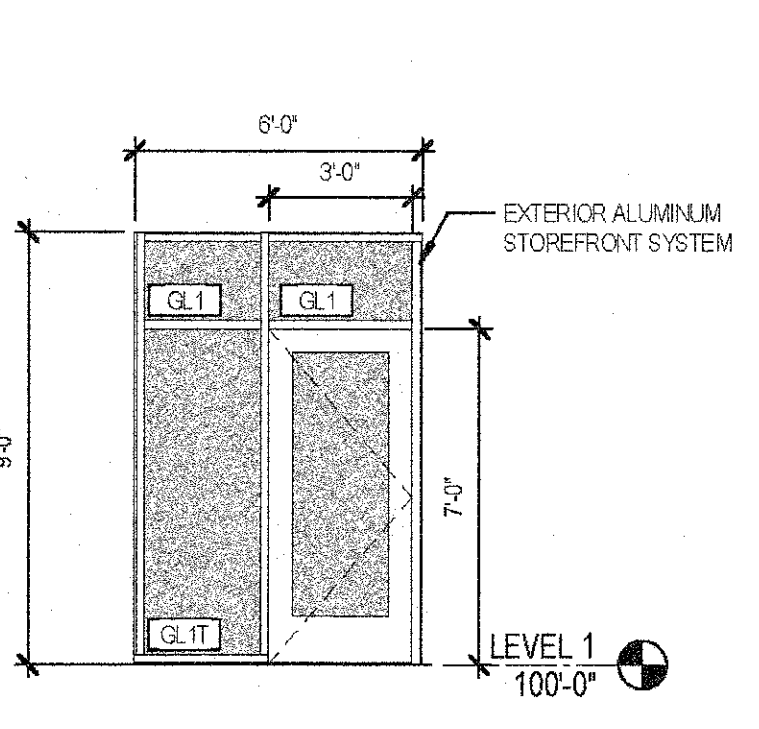
B12 STOREFRONT 'E'
 A502 SCALE: 1/4" = 1'-0"



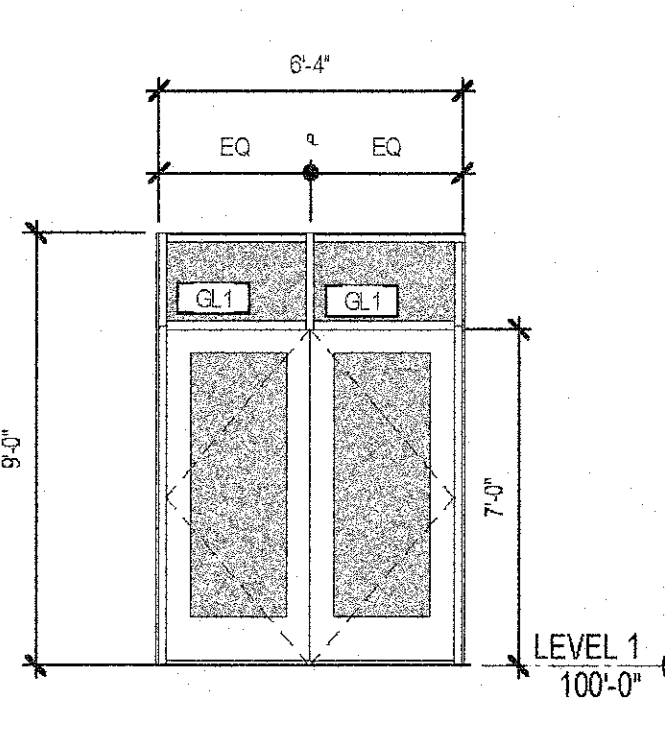
B15 STOREFRONT 'F'
 A502 SCALE: 1/4" = 1'-0"



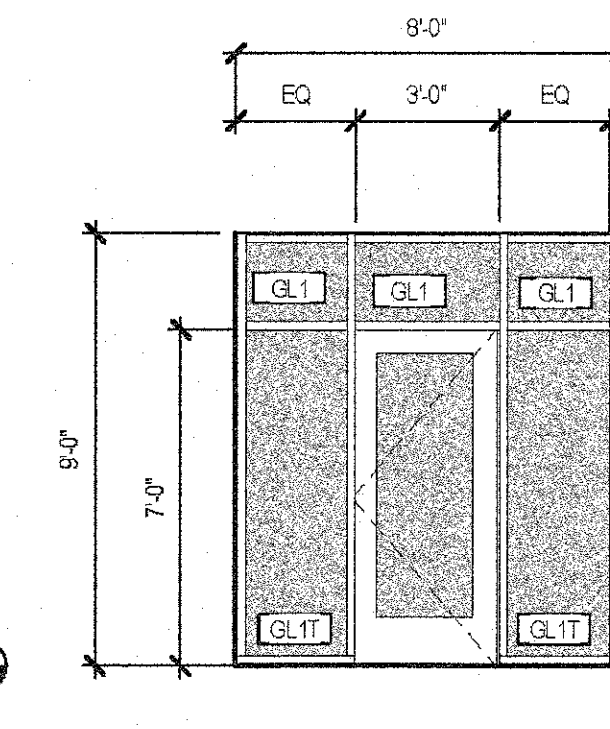
B18 STOREFRONT 'F'
 A502 SCALE: 1/4" = 1'-0"



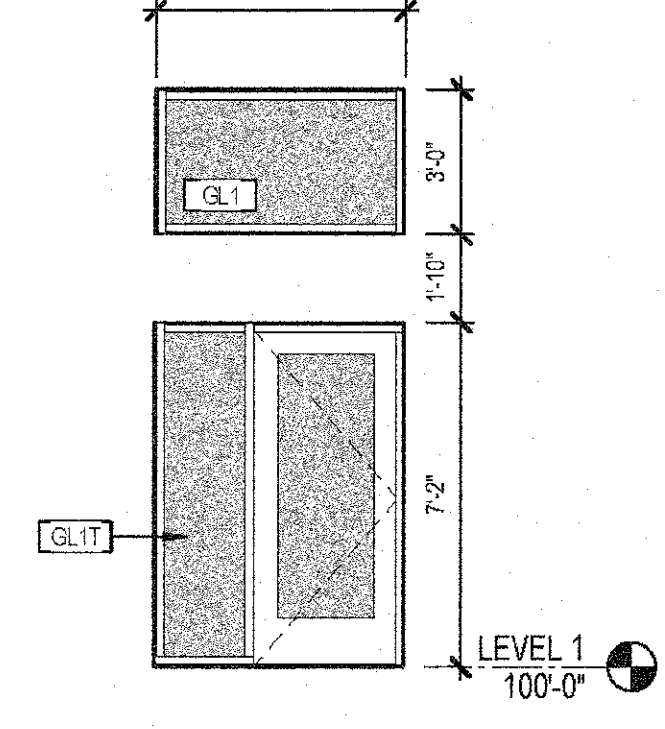
E1 STOREFRONT 'G'
 A502 SCALE: 1/4" = 1'-0"



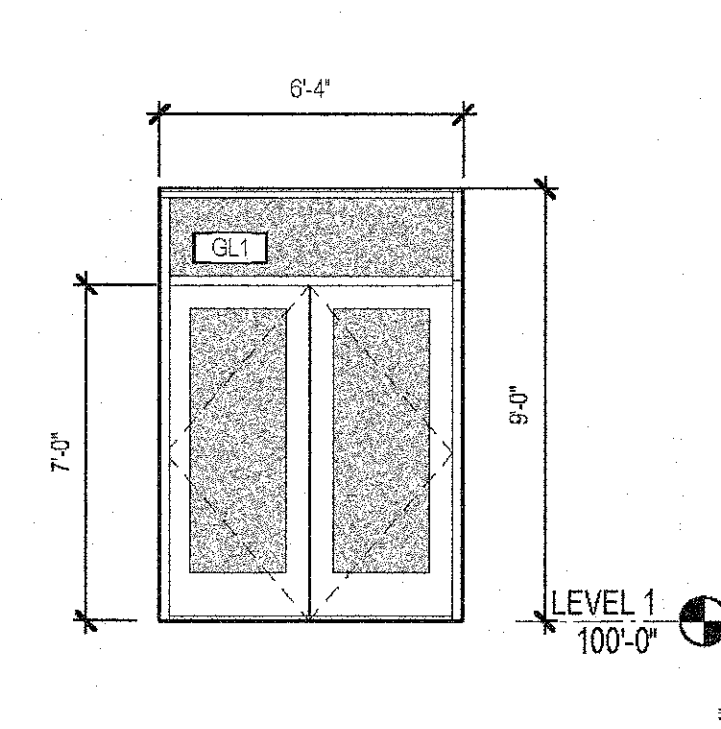
E5 STOREFRONT 'H'
 A502 SCALE: 1/4" = 1'-0"



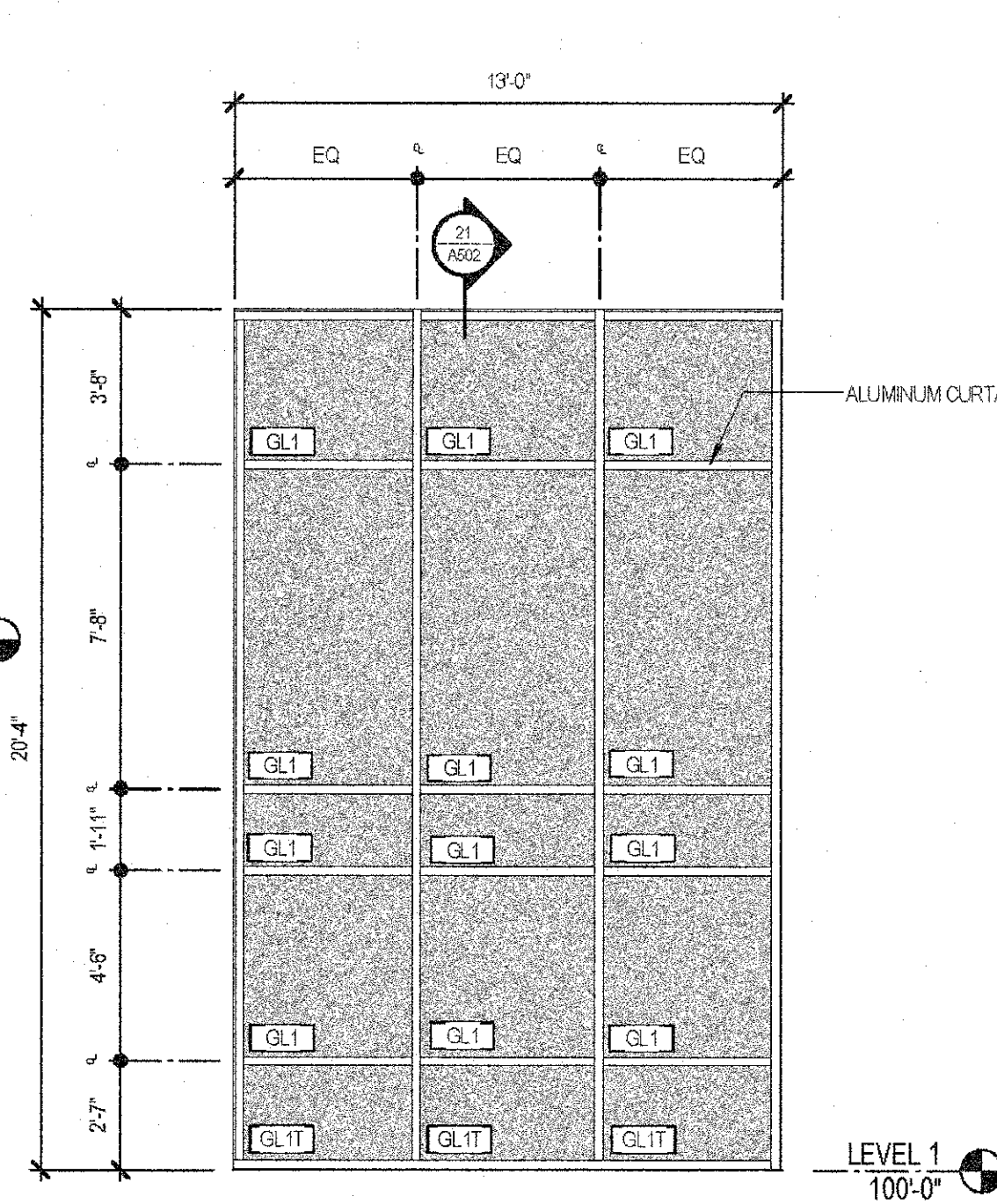
E8 STOREFRONT 'J'
 A502 SCALE: 1/4" = 1'-0"



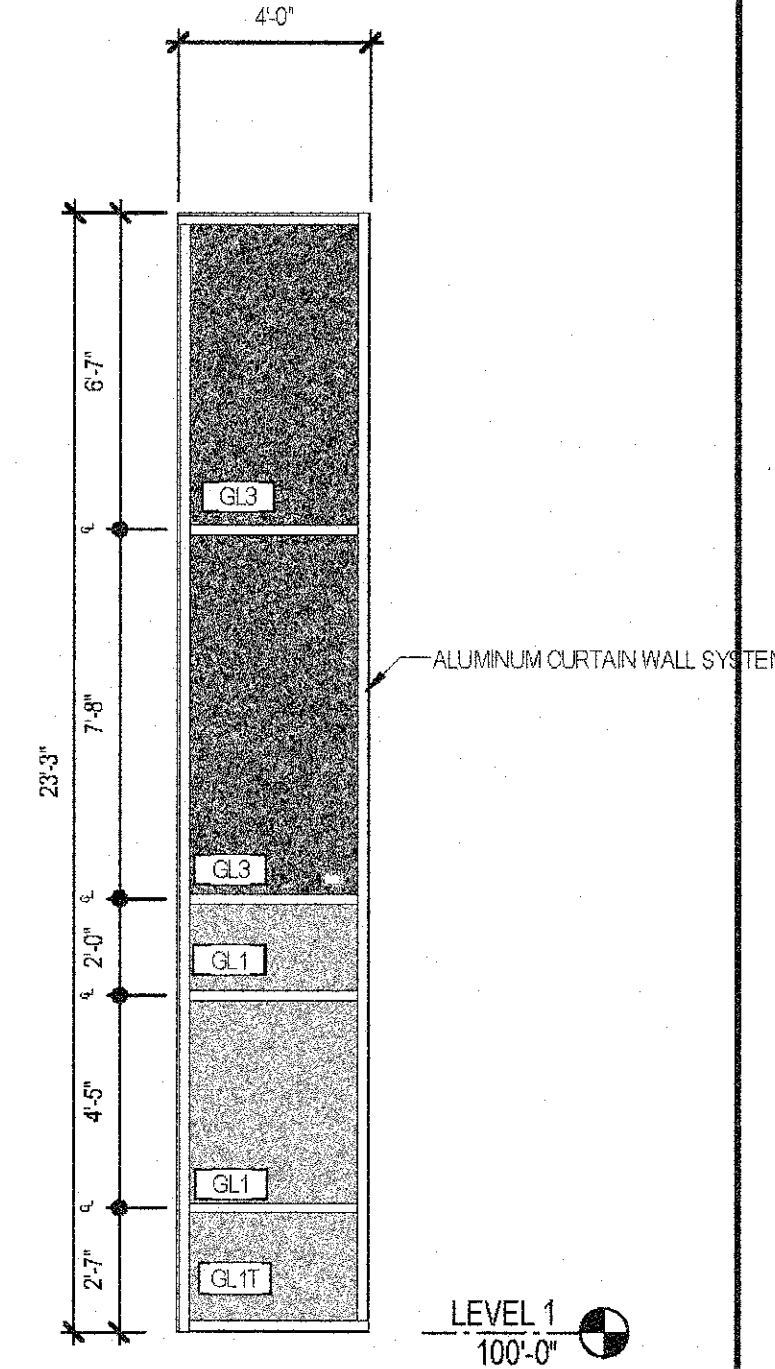
E11 STOREFRONT 'K'
 A502 SCALE: 1/4" = 1'-0"



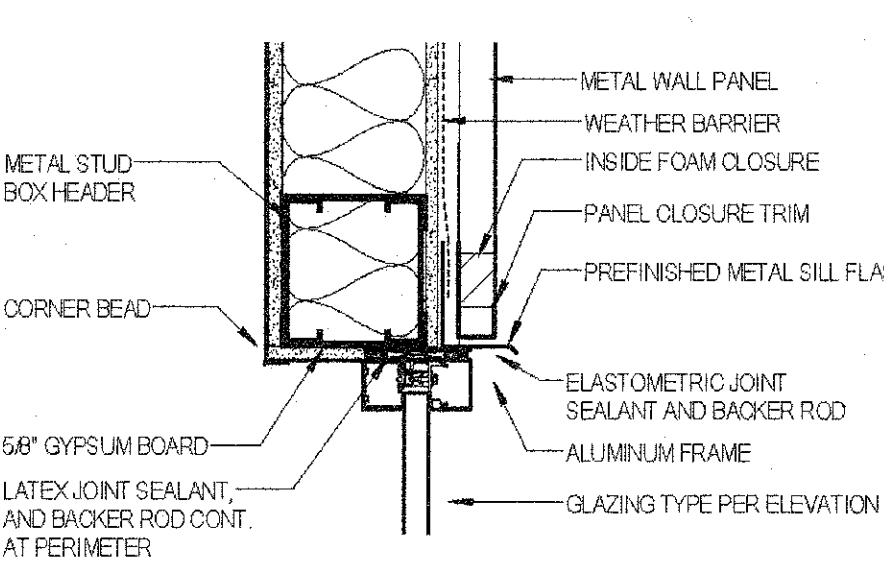
E13 STOREFRONT 'L'
 A502 SCALE: 1/4" = 1'-0"



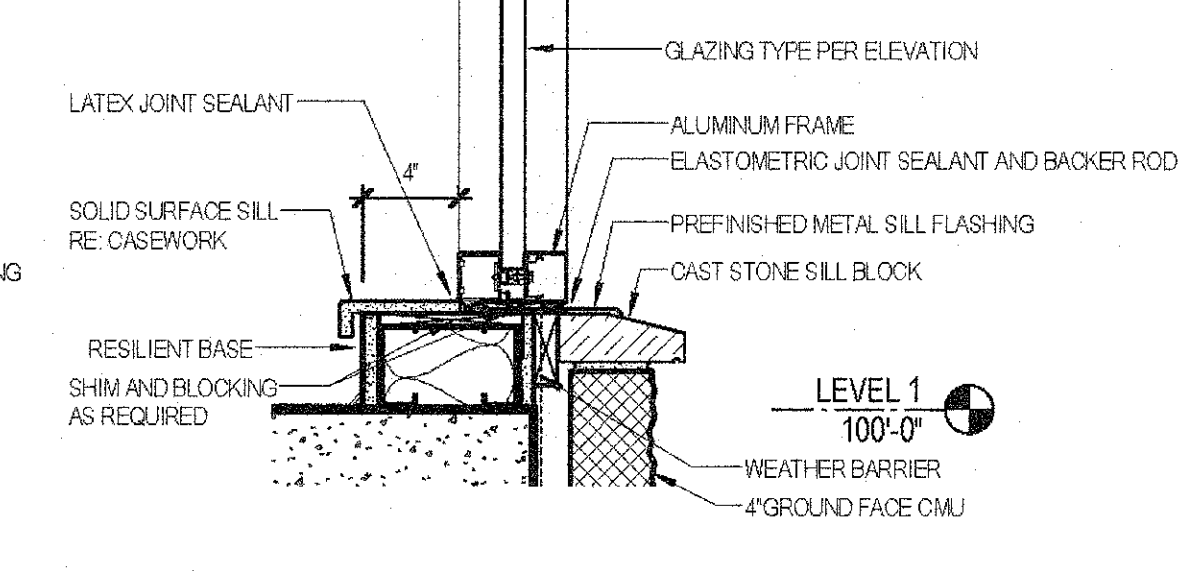
12 CURTAIN WALL 'M'
 A502 SCALE: NO SCALE



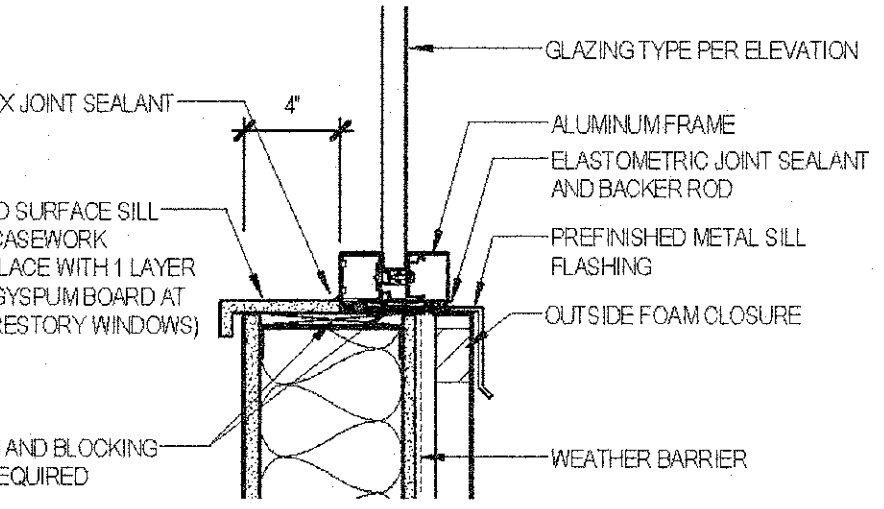
13 CURTAIN WALL 'N'
 A502 SCALE: NO SCALE



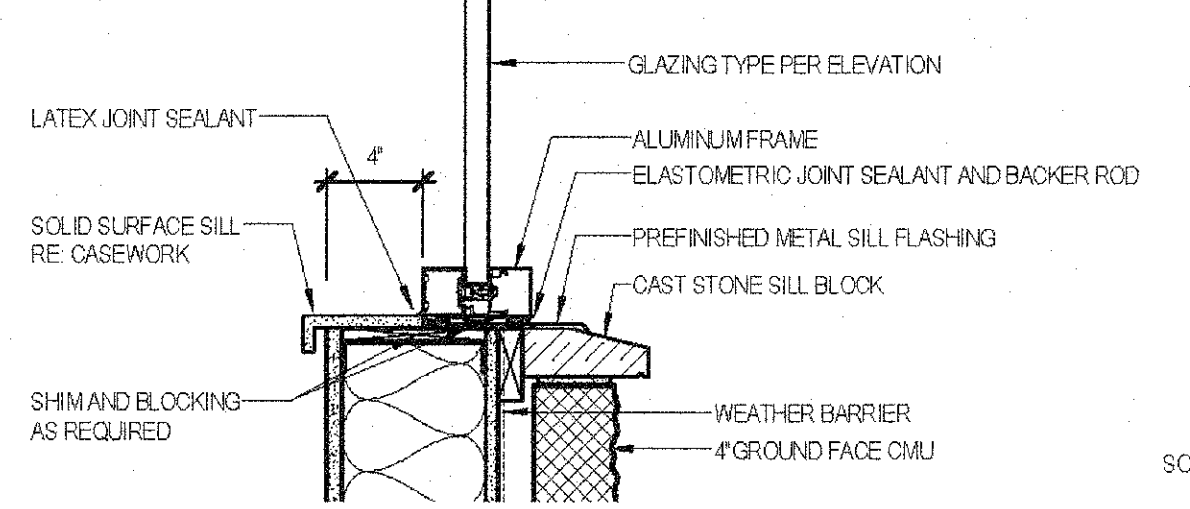
F2 STOREFRONT HEAD AT MWP
 A502 SCALE: 1 1/2" = 1'-0"



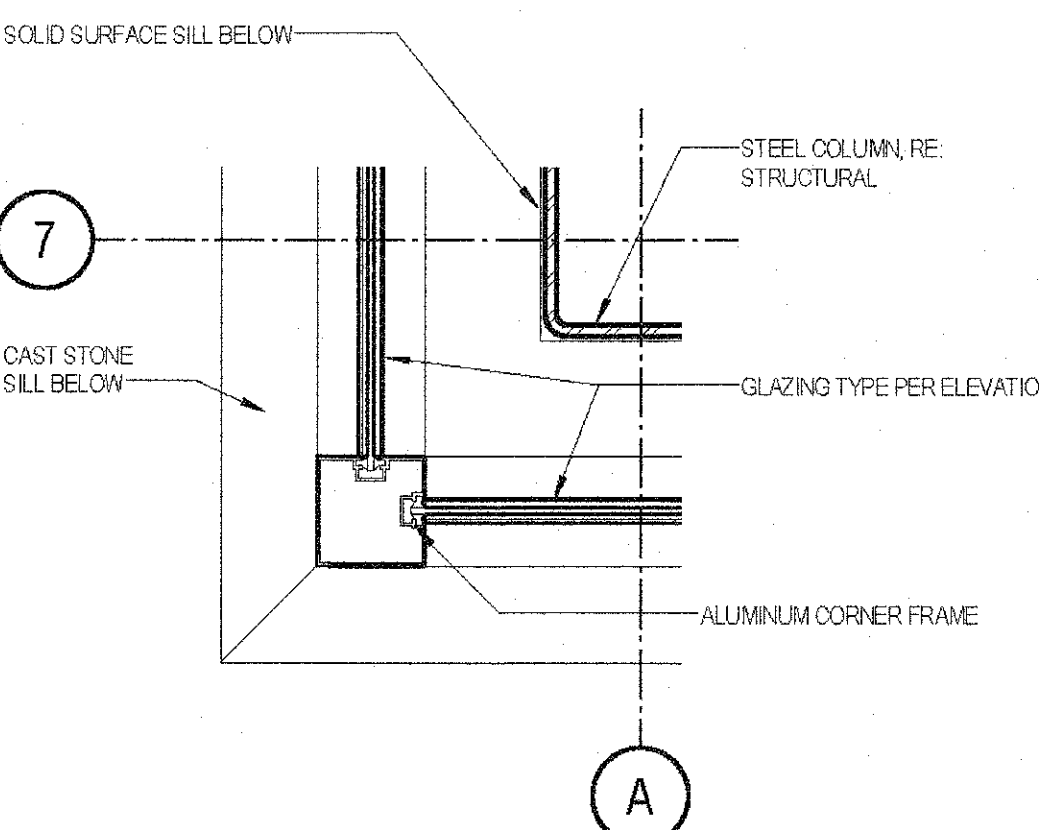
F8 STOREFRONT SILL
 A502 SCALE: 1 1/2" = 1'-0"



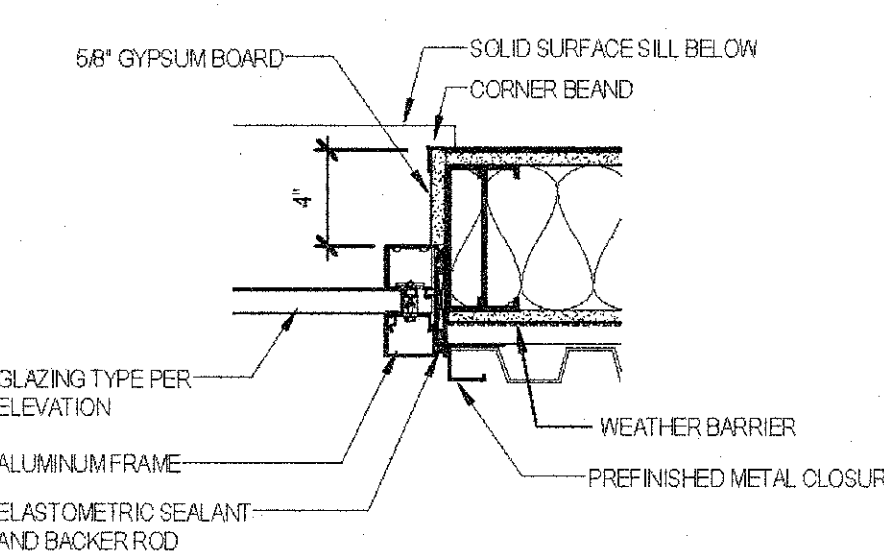
H2 STOREFRONT SILL AT MWP
 A502 SCALE: 1 1/2" = 1'-0"



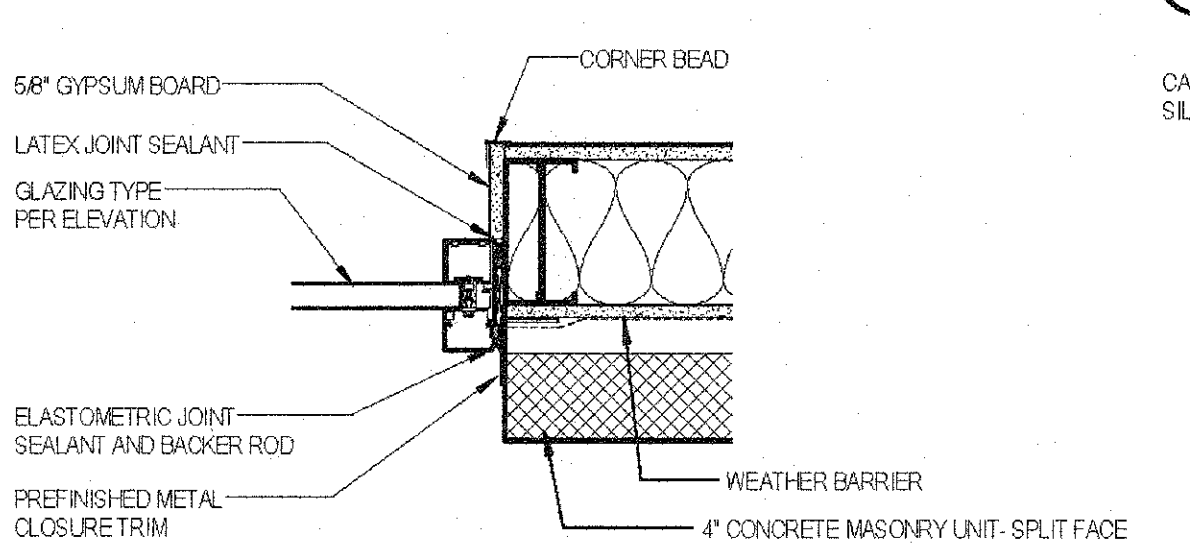
H6 STOREFRONT SILL
 A502 SCALE: 1 1/2" = 1'-0"



K9 CORNER MULLION DETAIL
 A502 SCALE: 1 1/2" = 1'-0"



K2 STOREFRONT JAMB AT MWP
 A502 SCALE: 1 1/2" = 1'-0"



K8 STOREFRONT JAMB AT MASONRY
 A502 SCALE: 1 1/2" = 1'-0"