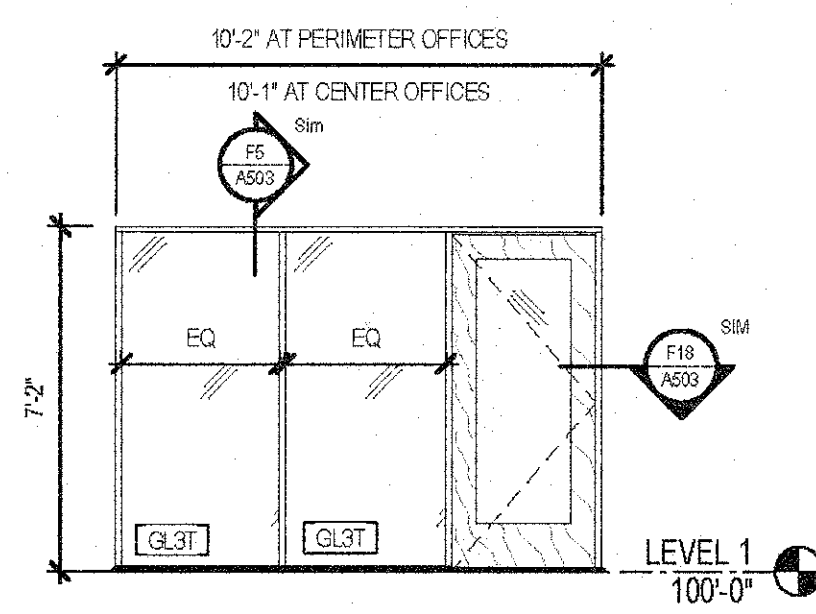
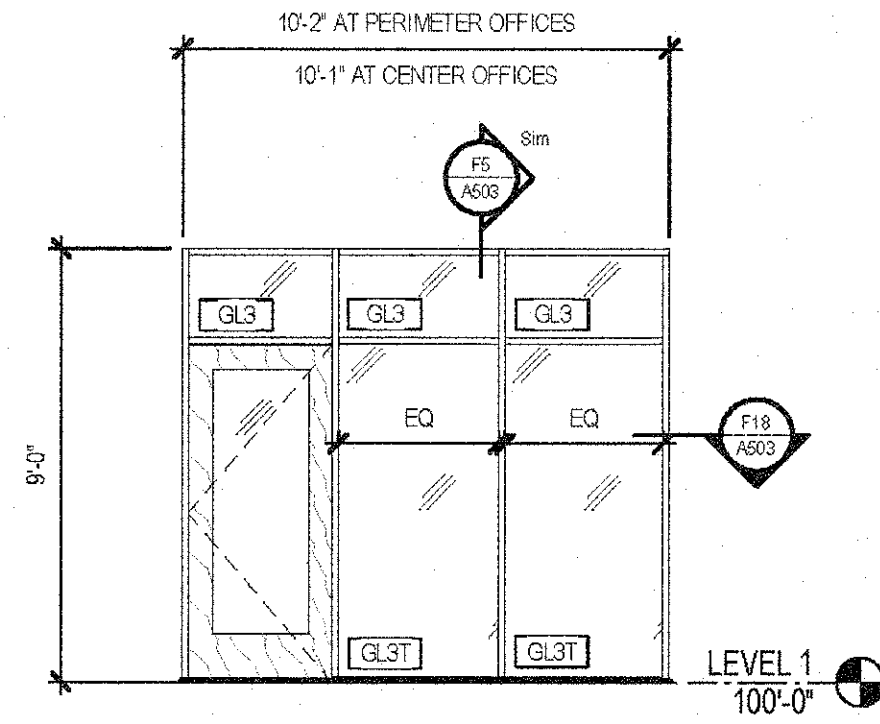


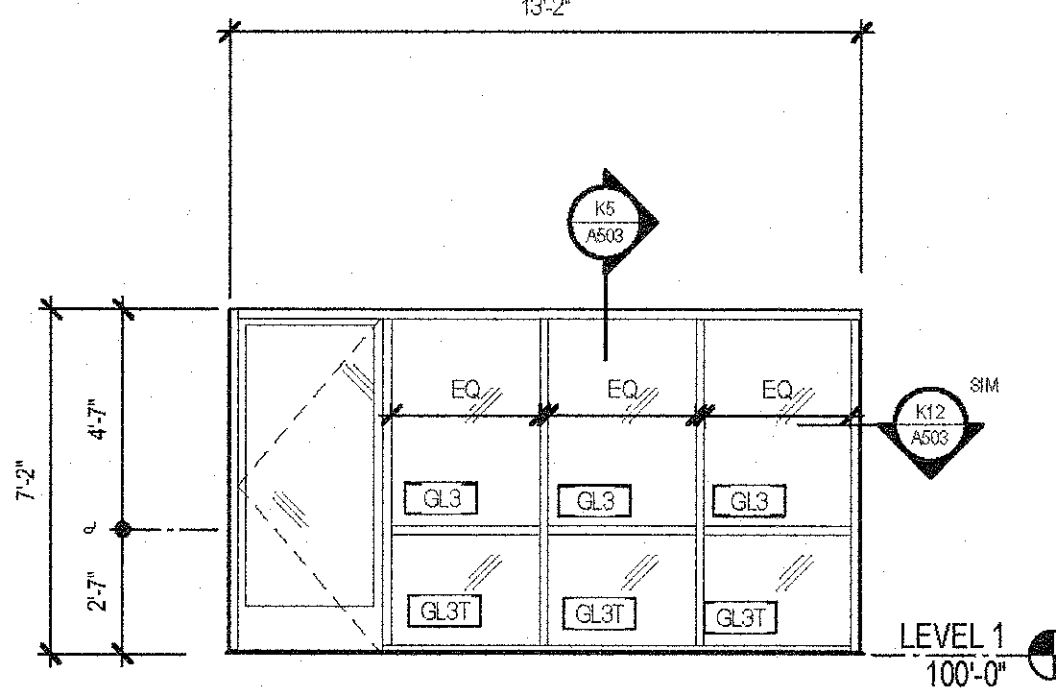
B1 HM FRAME 'P'
SCALE: 1/4" = 1'-0"



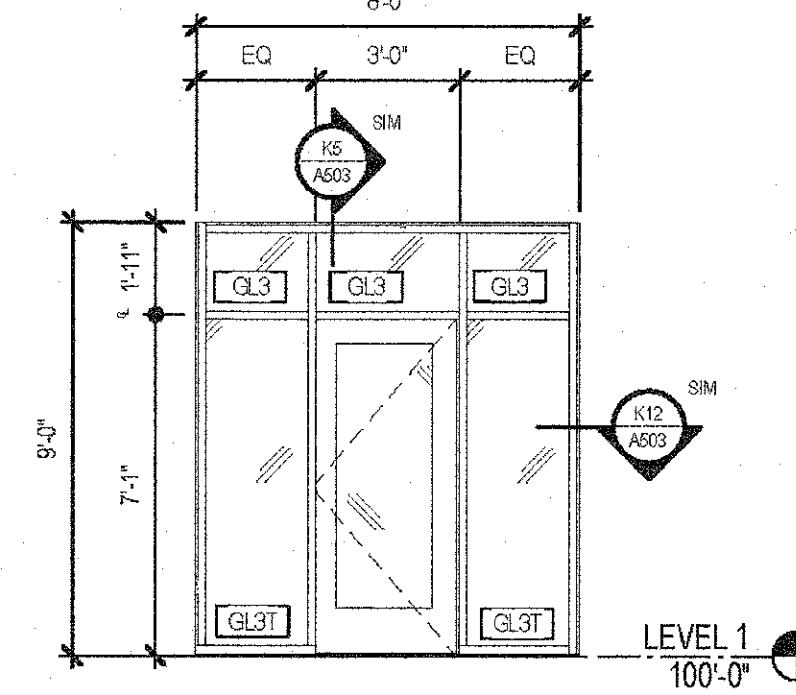
B5 HM FRAME 'Q'
SCALE: 1/4" = 1'-0"



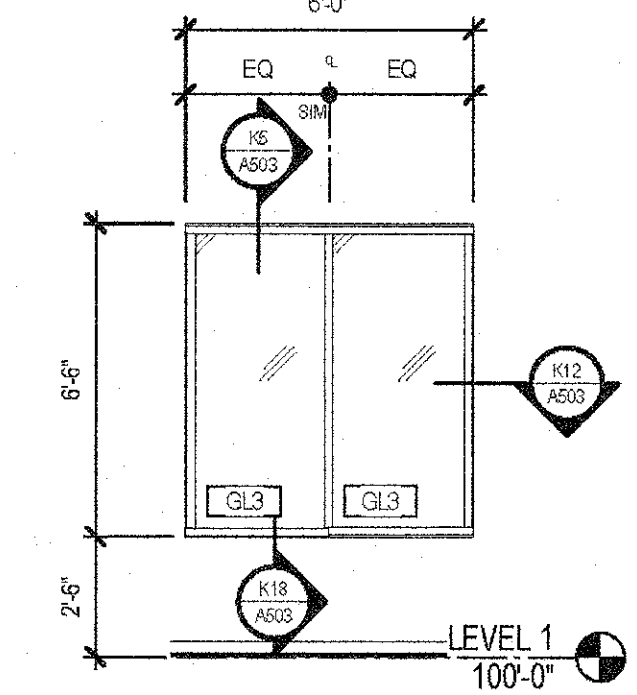
B8 HM FRAME 'R'
SCALE: 1/4" = 1'-0"



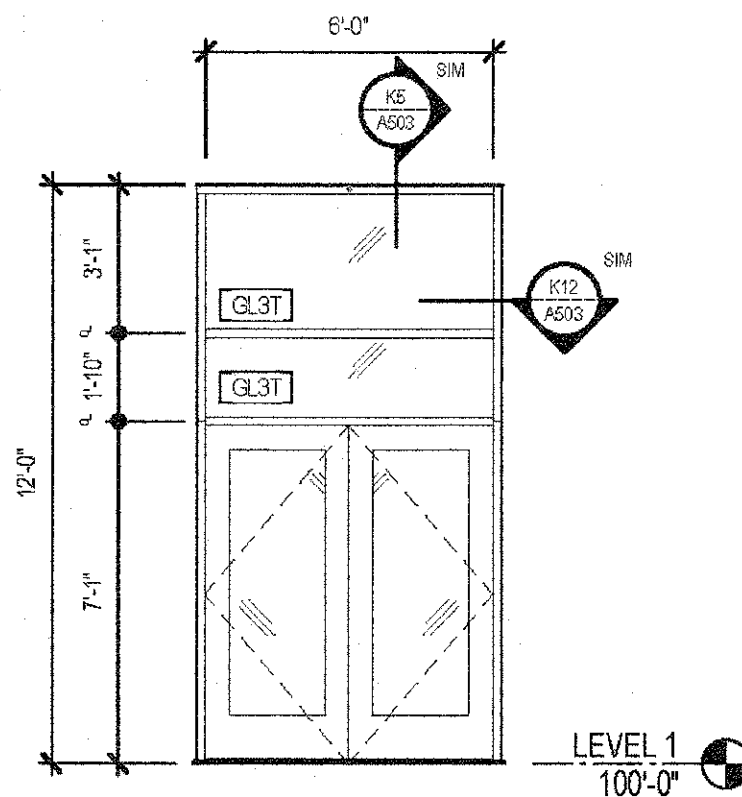
B12 INT. STOREFRONT 'S'
SCALE: 1/4" = 1'-0"



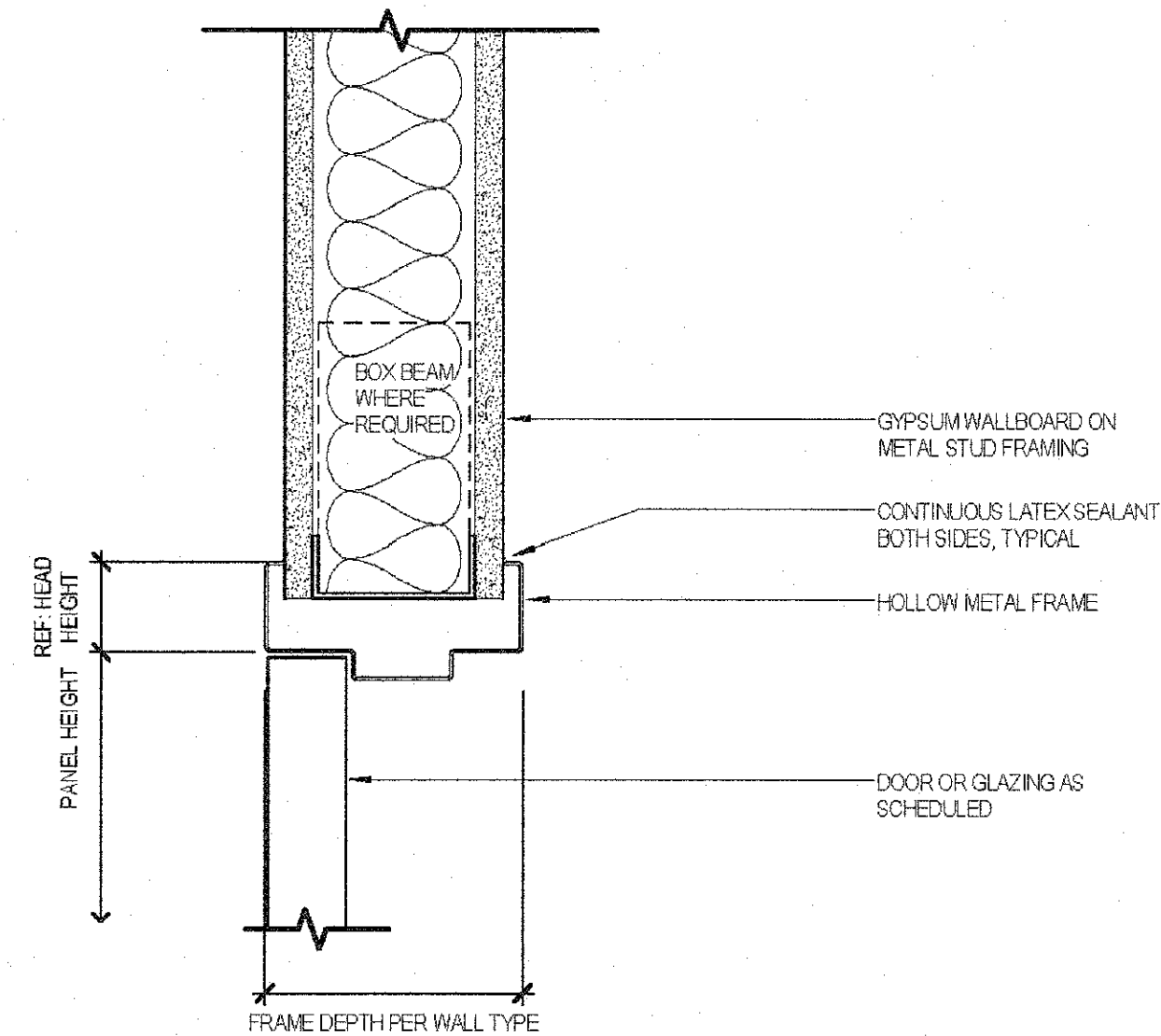
B16 INT. STOREFRONT 'T'
SCALE: 1/4" = 1'-0"



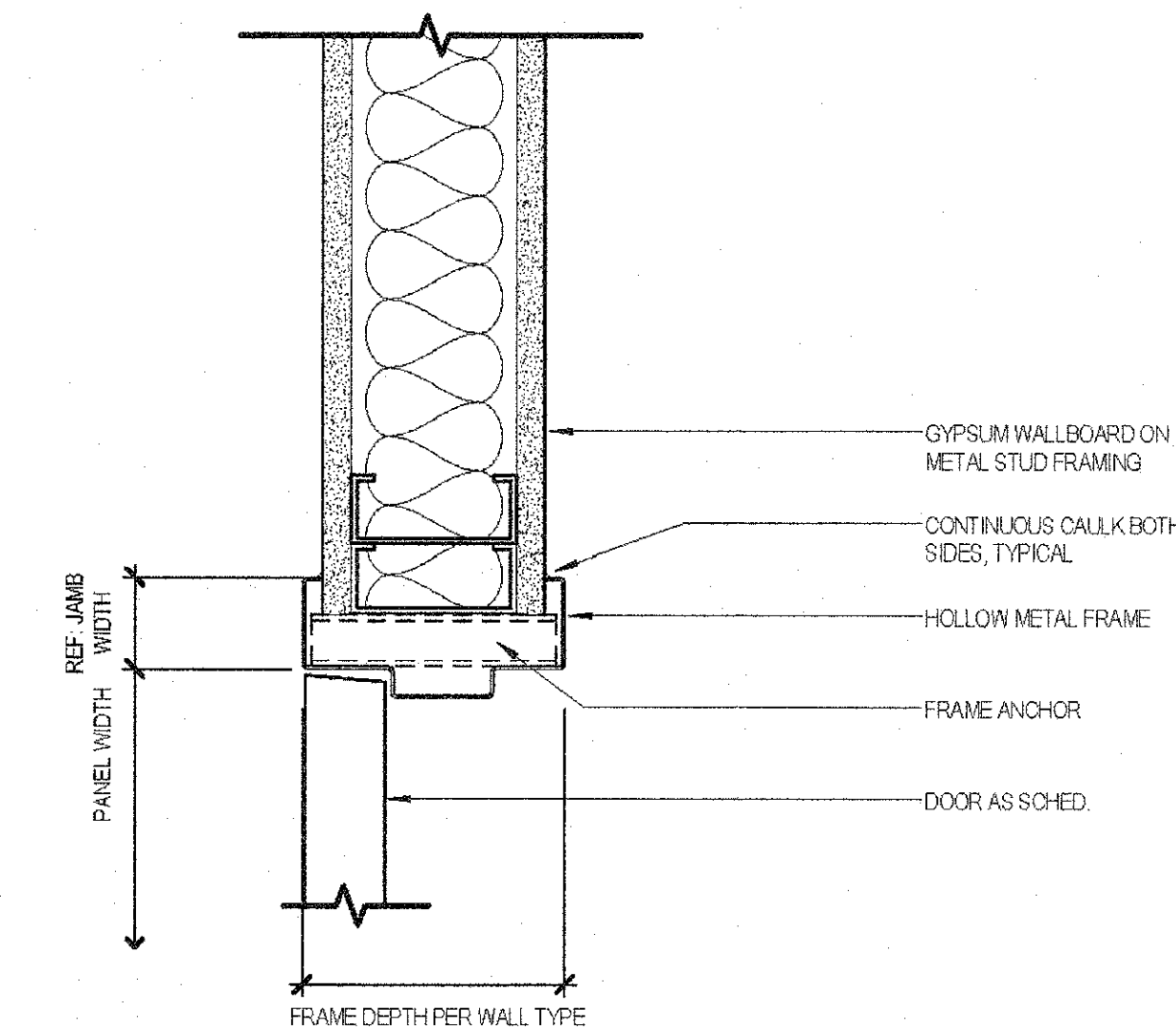
B18 INT. STOREFRONT 'U'
SCALE: 1/4" = 1'-0"



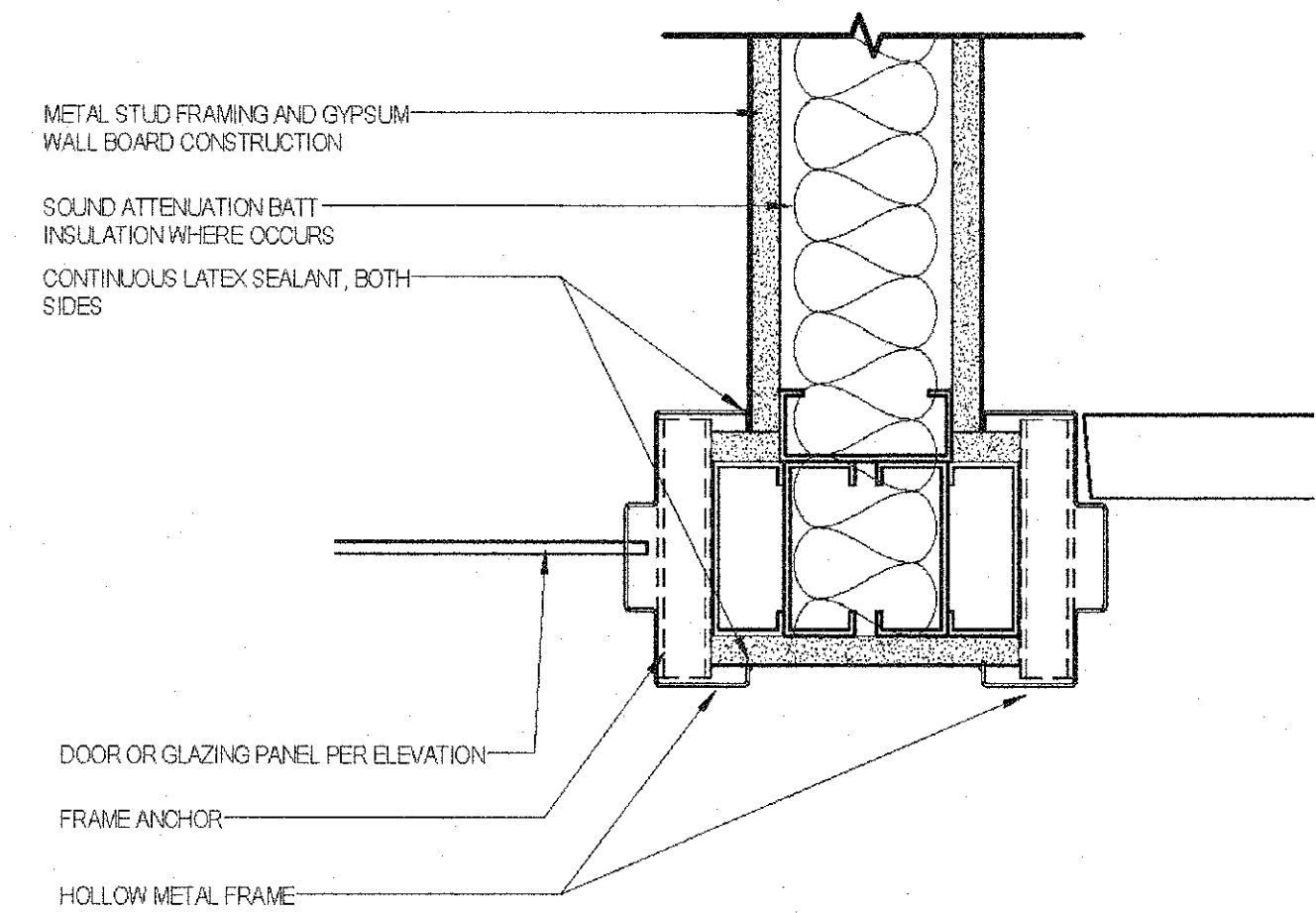
D1 INT. STOREFRONT 'V'
SCALE: 1/4" = 1'-0"



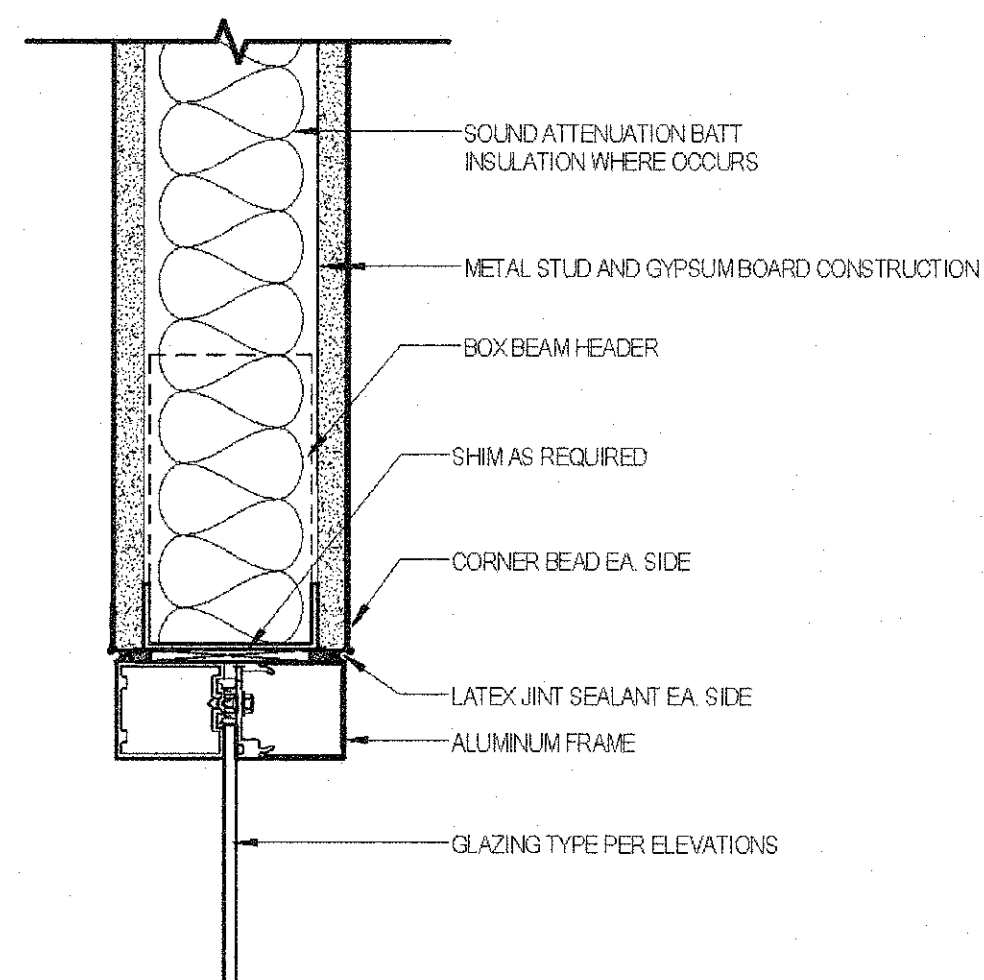
F5 HEAD- HM
SCALE: 3" = 1'-0"



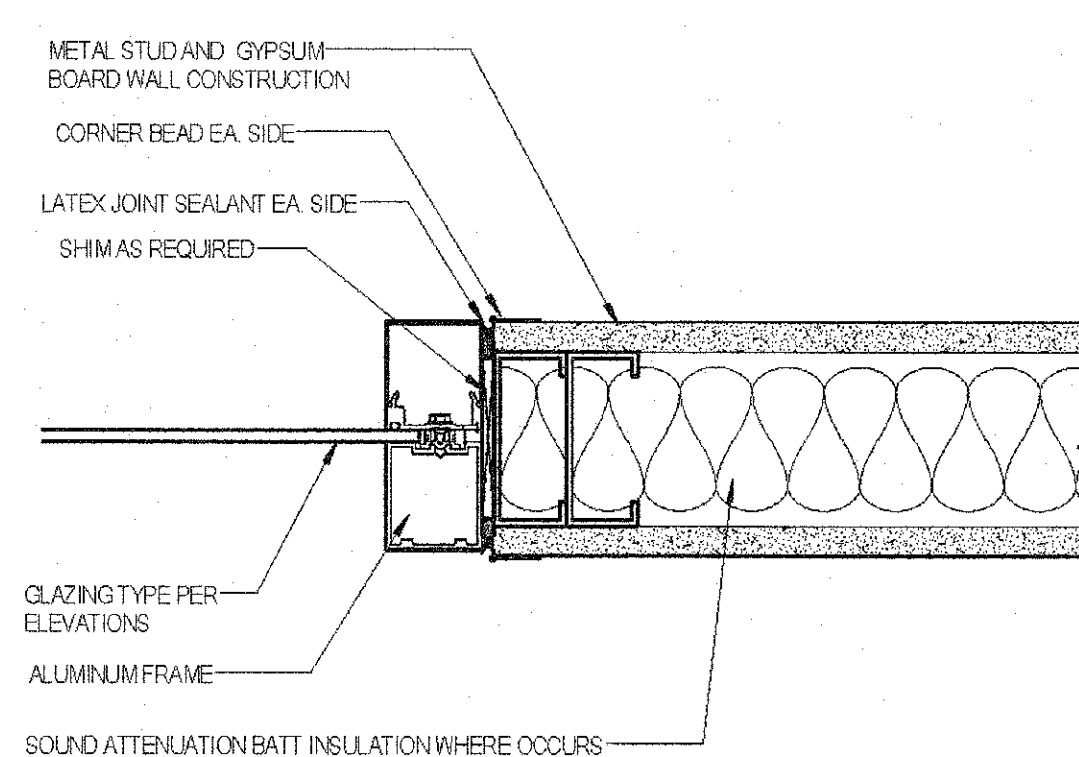
F12 JAMB- HM
SCALE: 3" = 1'-0"



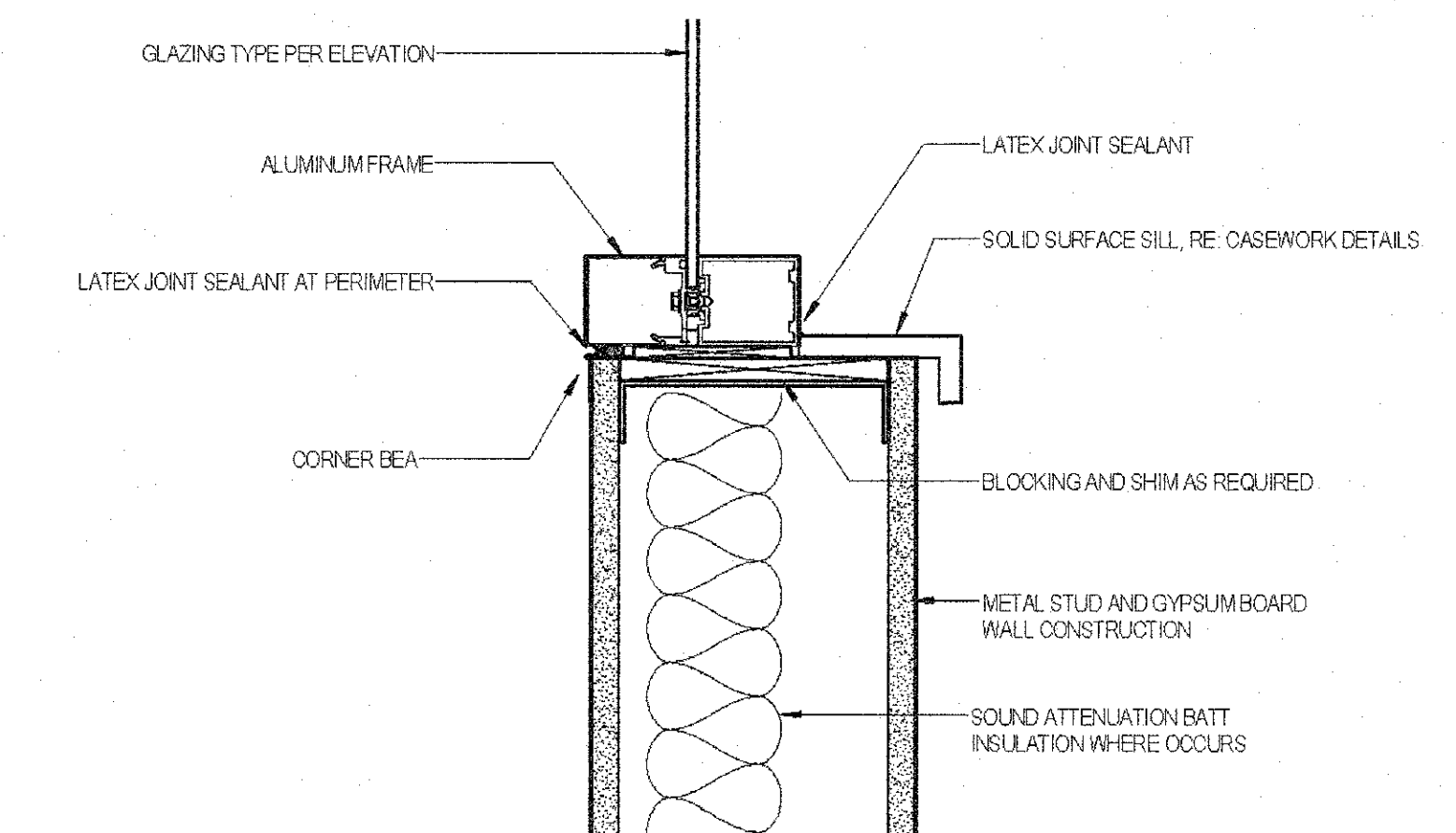
F18 JAMB- INT. HM
SCALE: 3" = 1'-0"



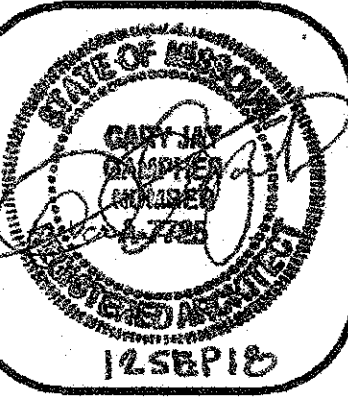
K5 HEAD- INT. AL
SCALE: 3" = 1'-0"



K12 JAMB- INT. AL
SCALE: 3" = 1'-0"



K18 SILL DETAIL- INT. AL
SCALE: 3" = 1'-0"



CENTRAL MISSOURI PROFESSIONAL SERVICES, INC.
CIVIL ENGINEER
MISSOURI STATE CERTIFICATE OF AUTHORITY # 001558
SSC ENGINEERING, INC.
MECHANICAL/ELECTRICAL/PLUMBING ENGINEER
MISSOURI STATE CERTIFICATE OF AUTHORITY # 001244
SSC ENGINEERING, INC.
STRUCTURAL ENGINEER
MISSOURI STATE CERTIFICATE OF AUTHORITY # 001244

The Architects Alliance inc.
Missouri State Certificate of Authority # 000143
631 West Main Street
Jefferson City, Missouri
(573) 636-5000 phone

INTERIOR STOREFRONT AND WINDOW DETAILS

MISSOURI SOYBEAN INNOVATION CENTER
NEW OFFICE BUILDING
734 S. COUNTRY CLUB DRIVE
JEFFERSON CITY, MISSOURI

PROJECT NO. 1613
DATE: SEP. 12, 2018

A503