

CENTRAL MISSOURI PROFESSIONAL SERVICES, INC.  
 MISSOURI STATE CERTIFICATE OF AUTHORITY # 001658  
 CIVIL ENGINEER  
 SSC ENGINEERING, INC.  
 MECHANICAL/ELECTRICAL/PLUMBING ENGINEER  
 MISSOURI STATE CERTIFICATE OF AUTHORITY # 001244  
 SSC ENGINEERING, INC.  
 MECHANICAL/ELECTRICAL/PLUMBING ENGINEER  
 MISSOURI STATE CERTIFICATE OF AUTHORITY # 001244

**The Architects Alliance inc.**  
 Missouri State Certificate of Authority # 000143  
 631 West Main Street  
 Jefferson City, Missouri  
 (573) 636-6000 phone

ENLARGED RR PLANS AND ELEVATIONS

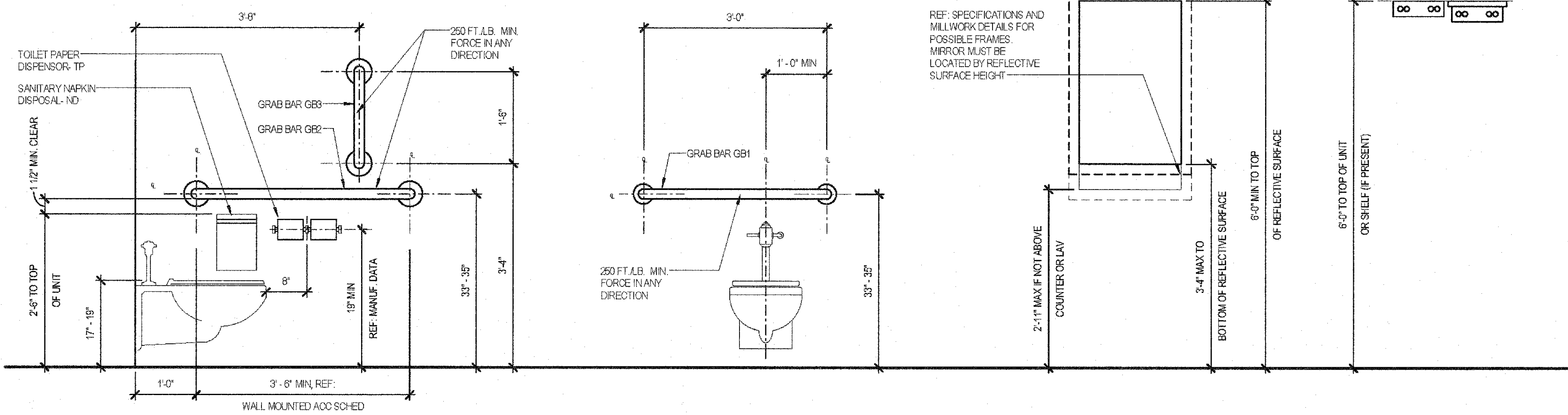
MISSOURI SOYBEAN INNOVATION CENTER  
 NEW OFFICE BUILDING  
 734 S. COUNTRY CLUB DRIVE  
 JEFFERSON CITY, MISSOURI

PROJECT NO. 1613  
 DATE: SEP. 12, 2018

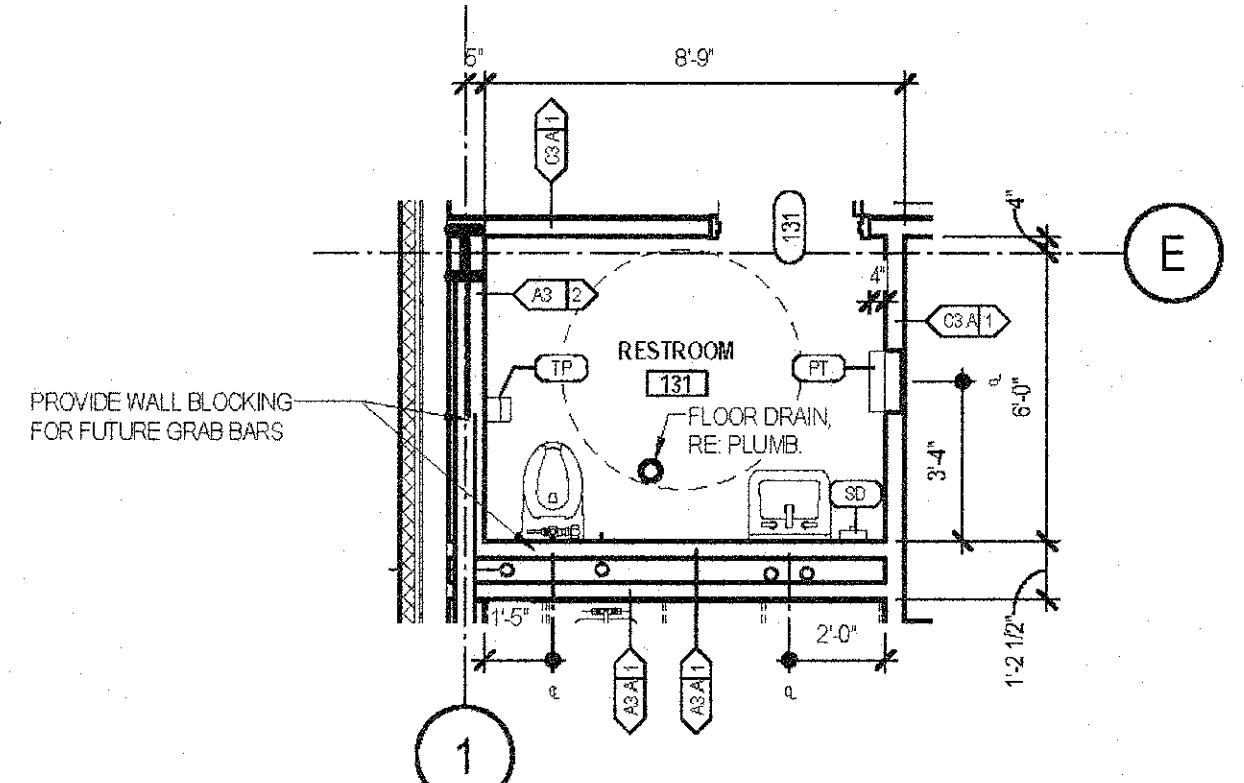
**A602**

**RESTROOM ACCESSORY SCHEDULE**

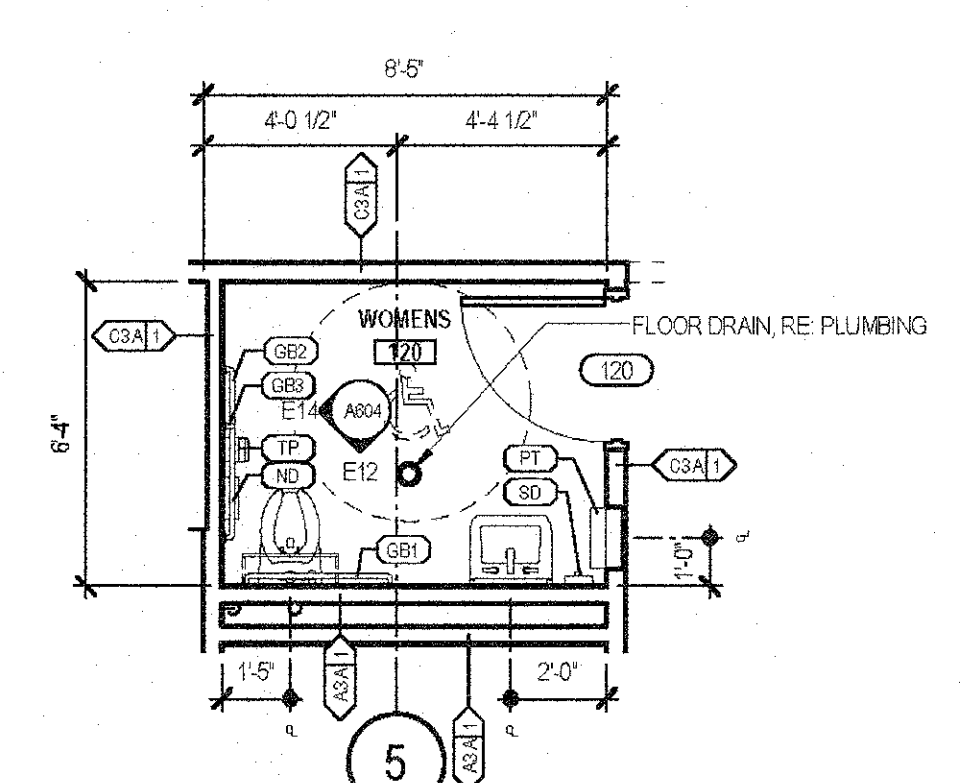
MARK	DESCRIPTION	MANUFACTURER	MODEL	COMMENTS	QTY
GB1	GRAB BAR- HORIZONTAL 30"	BOBRICK	B-6906C06		4
GB2	GRAB BAR- HORIZONTAL 42"	BOBRICK	B-6906C42		4
GB3	GRAB BAR- VERTICAL 18"	BOBRICK	B-6906C18		4
M1	MIRROR	BOBRICK	B-227 2436		8
ND	NAPKIN DISPOSAL	BOBRICK	B-270		4
PT	PAPER TOWEL DISPENSER / WASTE COMBO UNIT	BOBRICK	B-43944		7
SD	SOAP DISPENSER	BOBRICK	B-4412		7
TP	TP DISPENSER	BOBRICK	B-6887		7



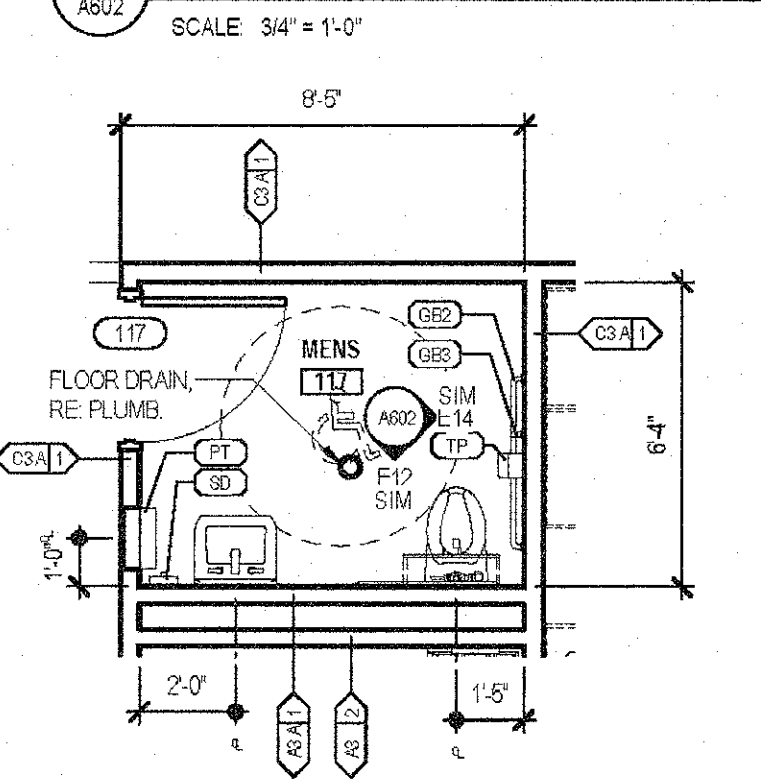
**RESTROOM ACCESSORY MOUNTING HEIGHTS**  
 SCALE: 3/4" = 1'-0"



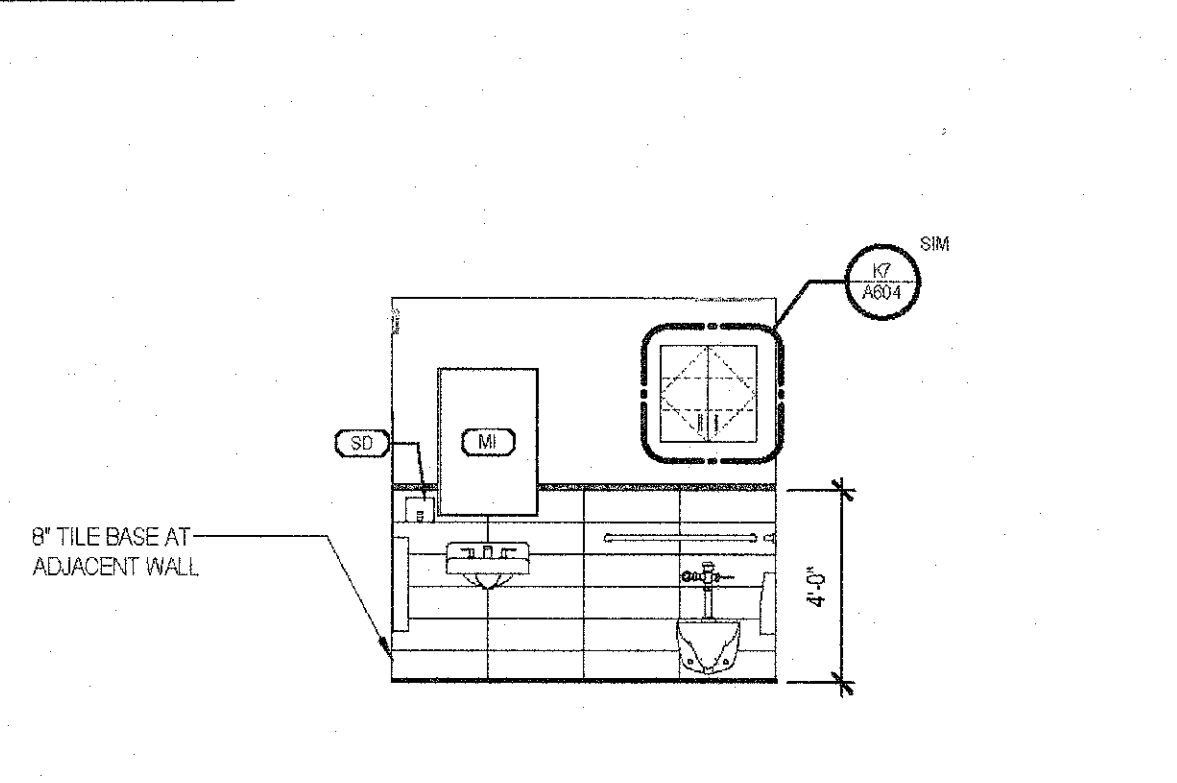
**E1 ENLARGED PLAN- RESTROOM 131**  
 SCALE: NO SCALE



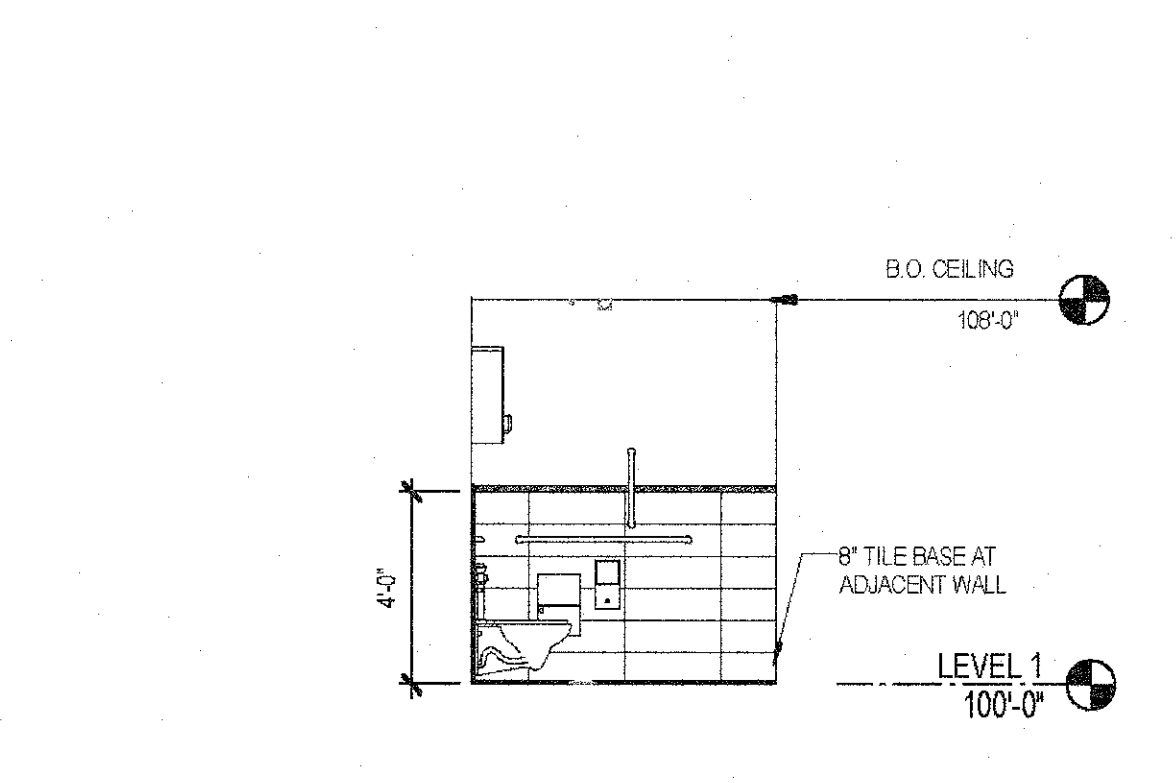
**E5 ENLARGED PLAN- WOMENS 120**  
 SCALE: NO SCALE



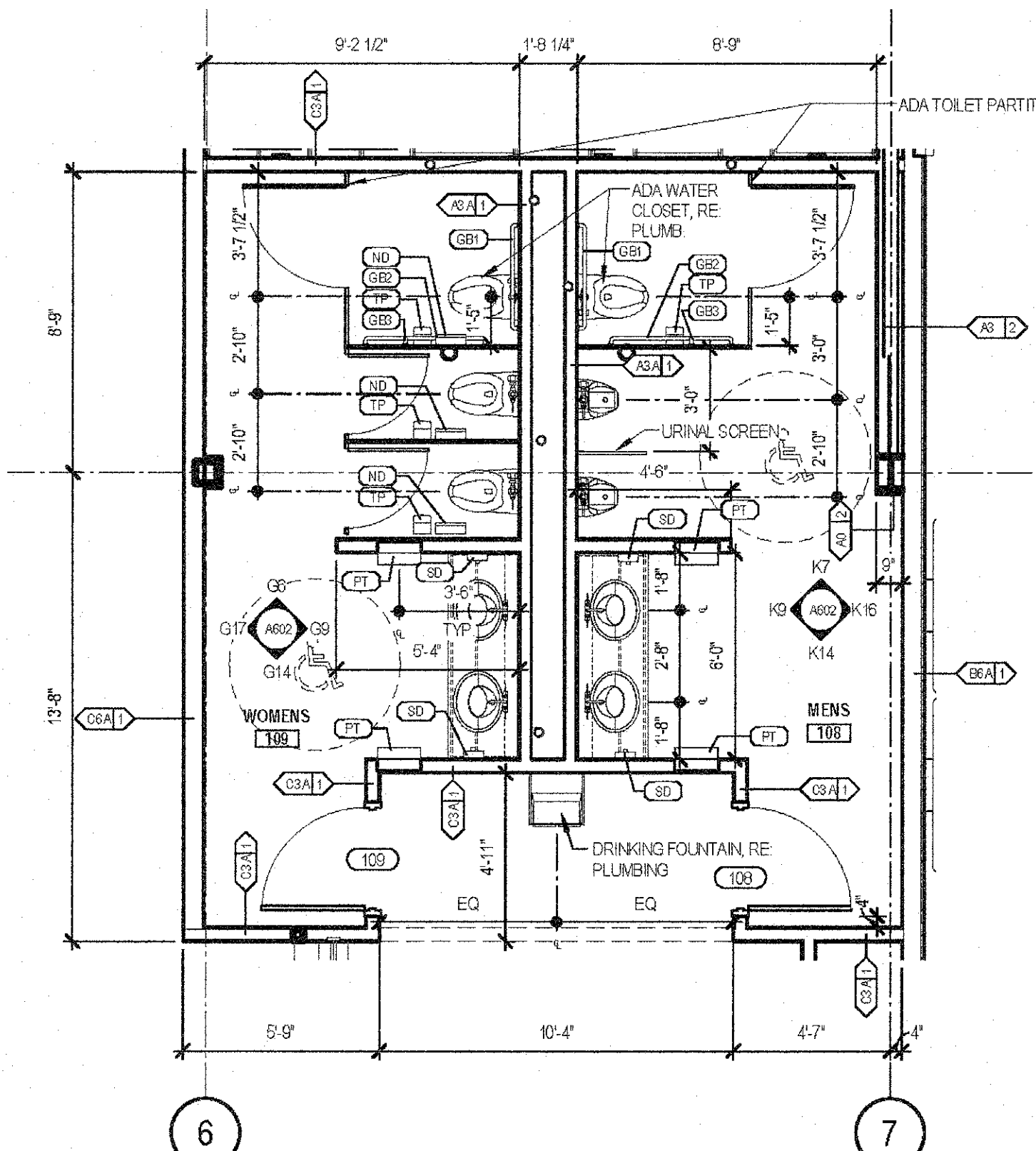
**E9 ENLARGED PLAN- MENS 117**  
 SCALE: NO SCALE



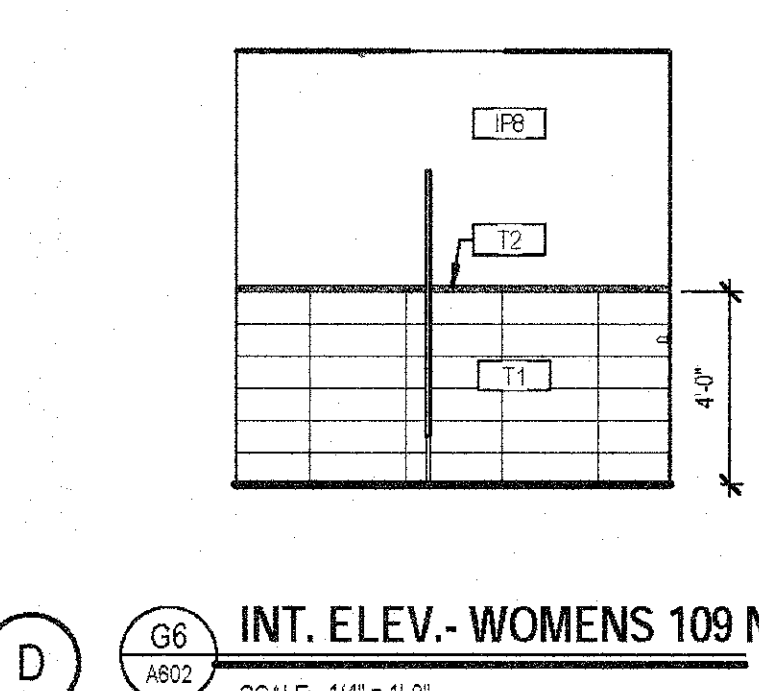
**E12 INT. ELEV.- INDIVIDUAL RR BACK**  
 SCALE: 1/4" = 1'-0"



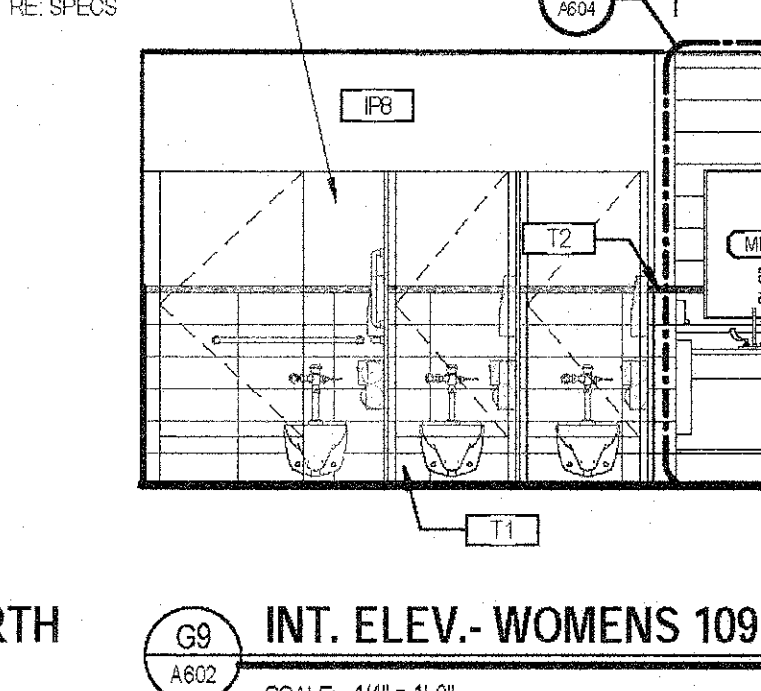
**E14 INT. ELEV.- INDIVIDUAL RR SIDE**  
 SCALE: 1/4" = 1'-0"



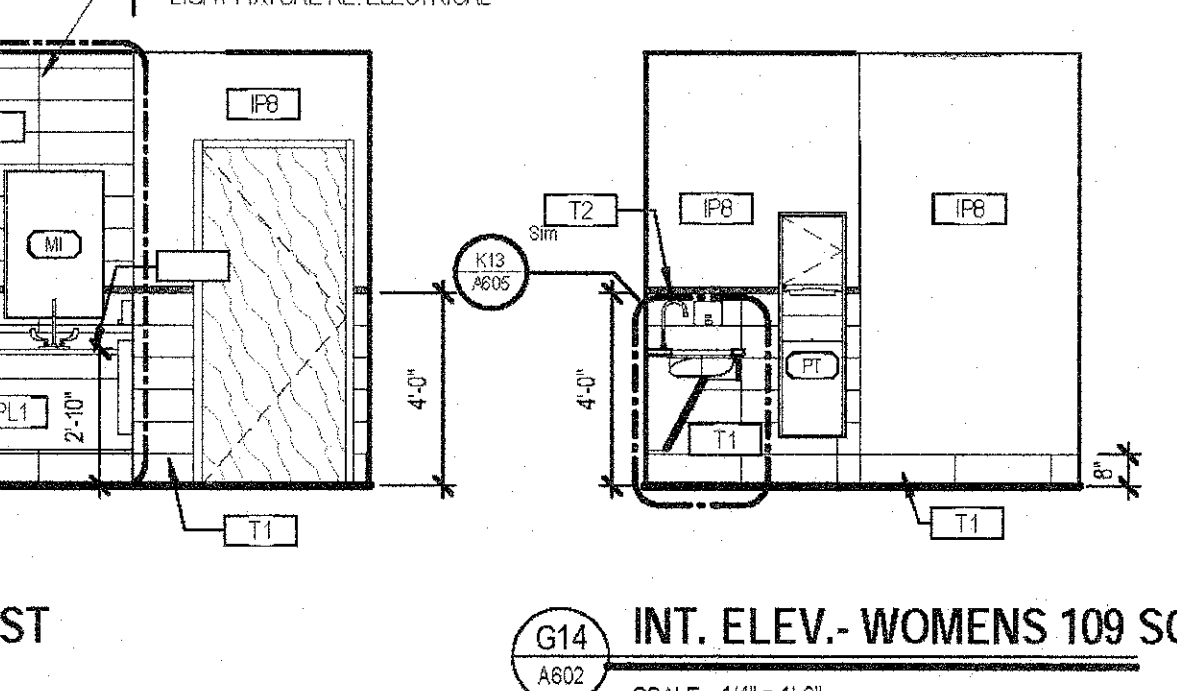
**K1 ENLARGED PLAN- RESTROOMS 109 & 108**  
 SCALE: 1/4" = 1'-0"



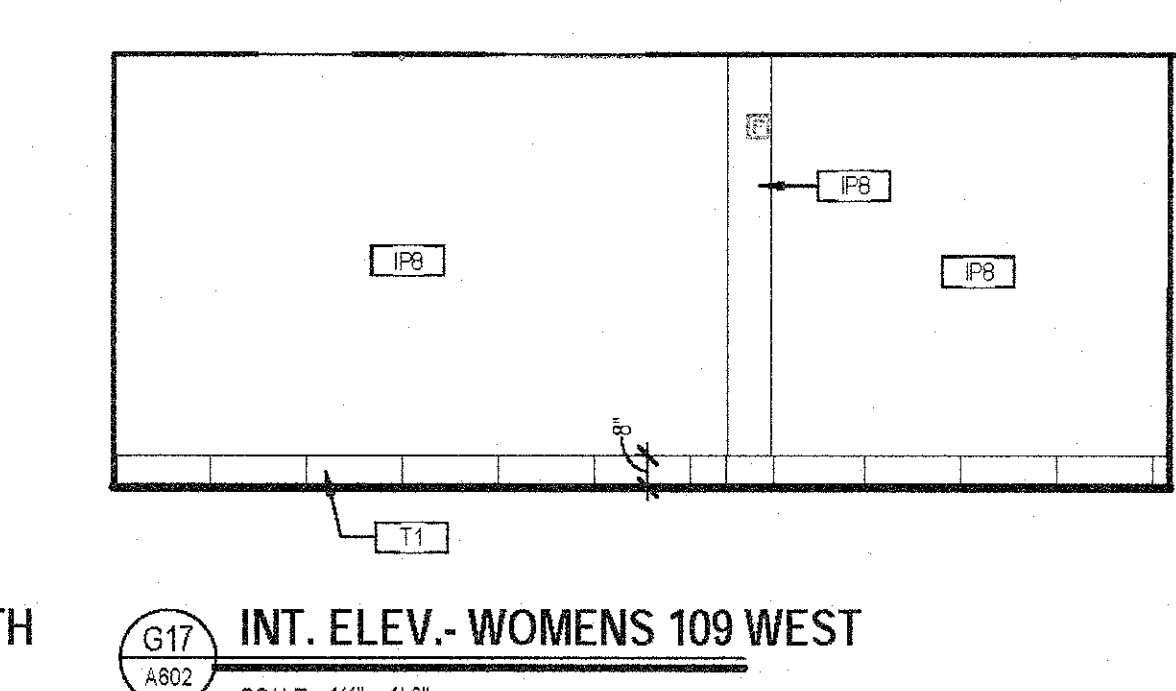
**G6 INT. ELEV.- WOMENS 109 NORTH**  
 SCALE: 1/4" = 1'-0"



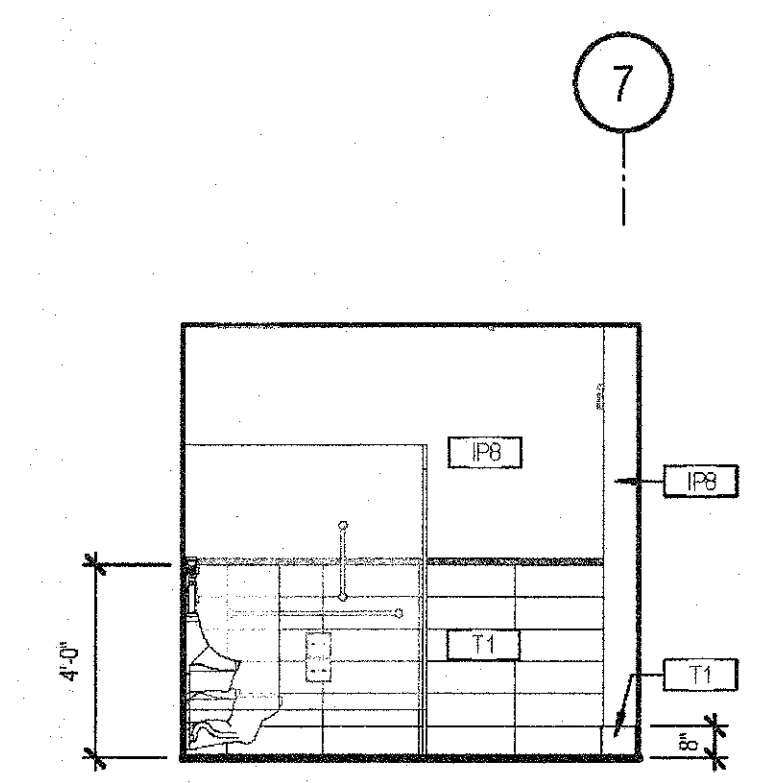
**G9 INT. ELEV.- WOMENS 109 EAST**  
 SCALE: 1/4" = 1'-0"



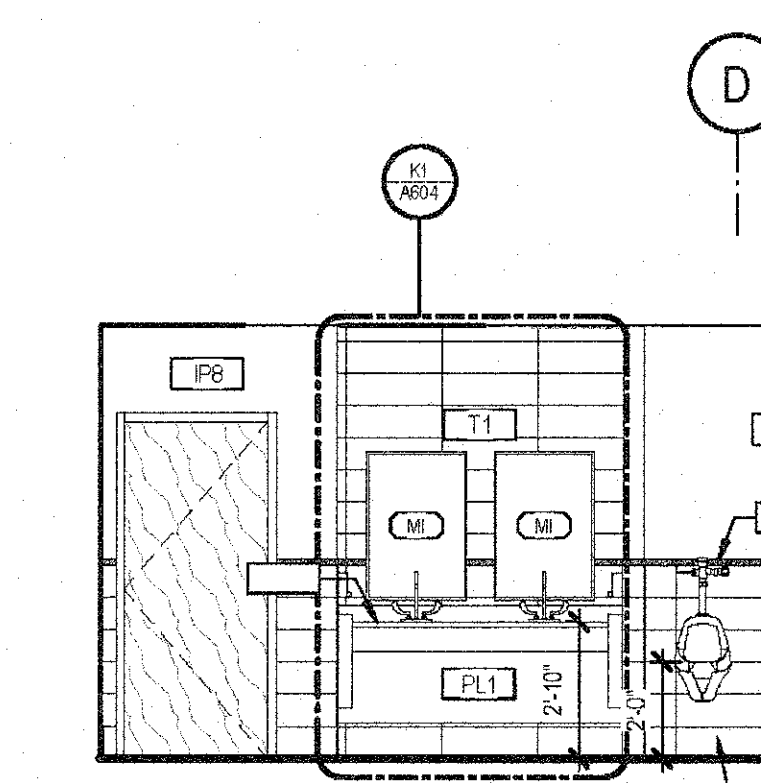
**G14 INT. ELEV.- WOMENS 109 SOUTH**  
 SCALE: 1/4" = 1'-0"



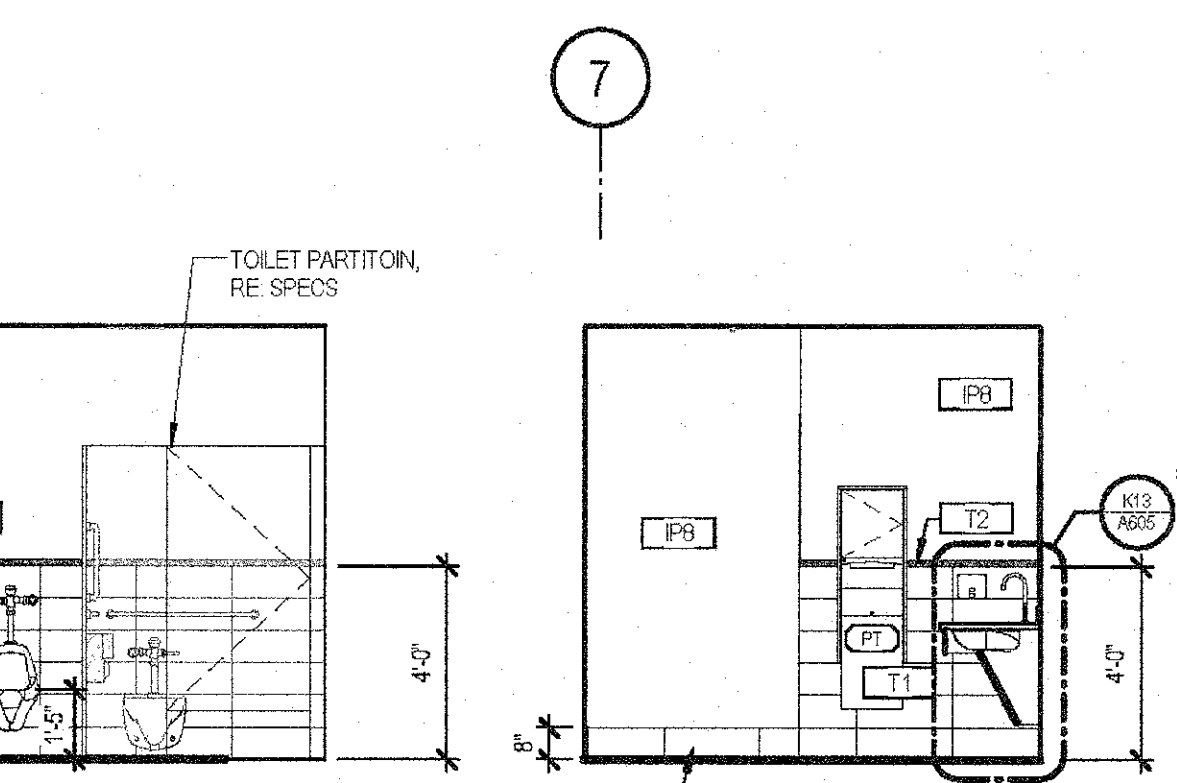
**G17 INT. ELEV.- WOMENS 109 WEST**  
 SCALE: 1/4" = 1'-0"



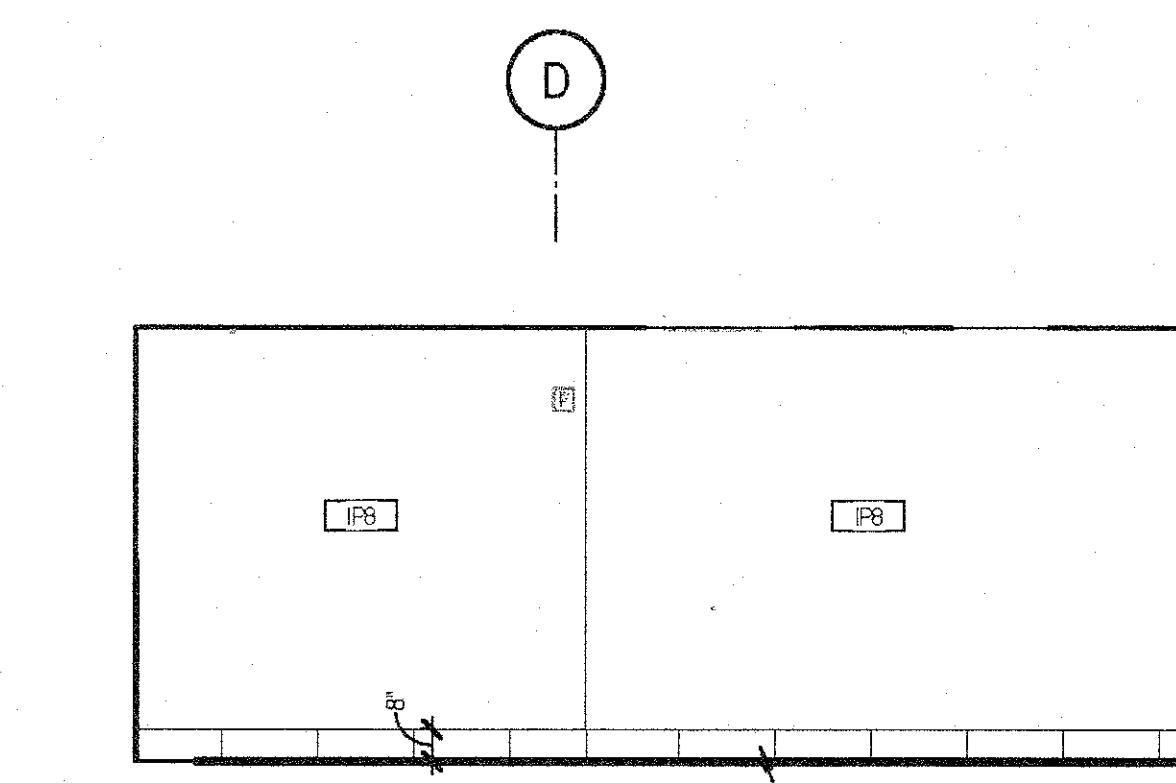
**K7 INT. ELEV.- MENS 108 NORTH**  
 SCALE: 1/4" = 1'-0"



**K9 INT. ELEV.- MENS 108 WEST**  
 SCALE: 1/4" = 1'-0"



**K14 INT. ELEV.- MENS 108 SOUTH**  
 SCALE: 1/4" = 1'-0"



**K16 INT. ELEV.- MENS 108 EAST**  
 SCALE: 1/4" = 1'-0"