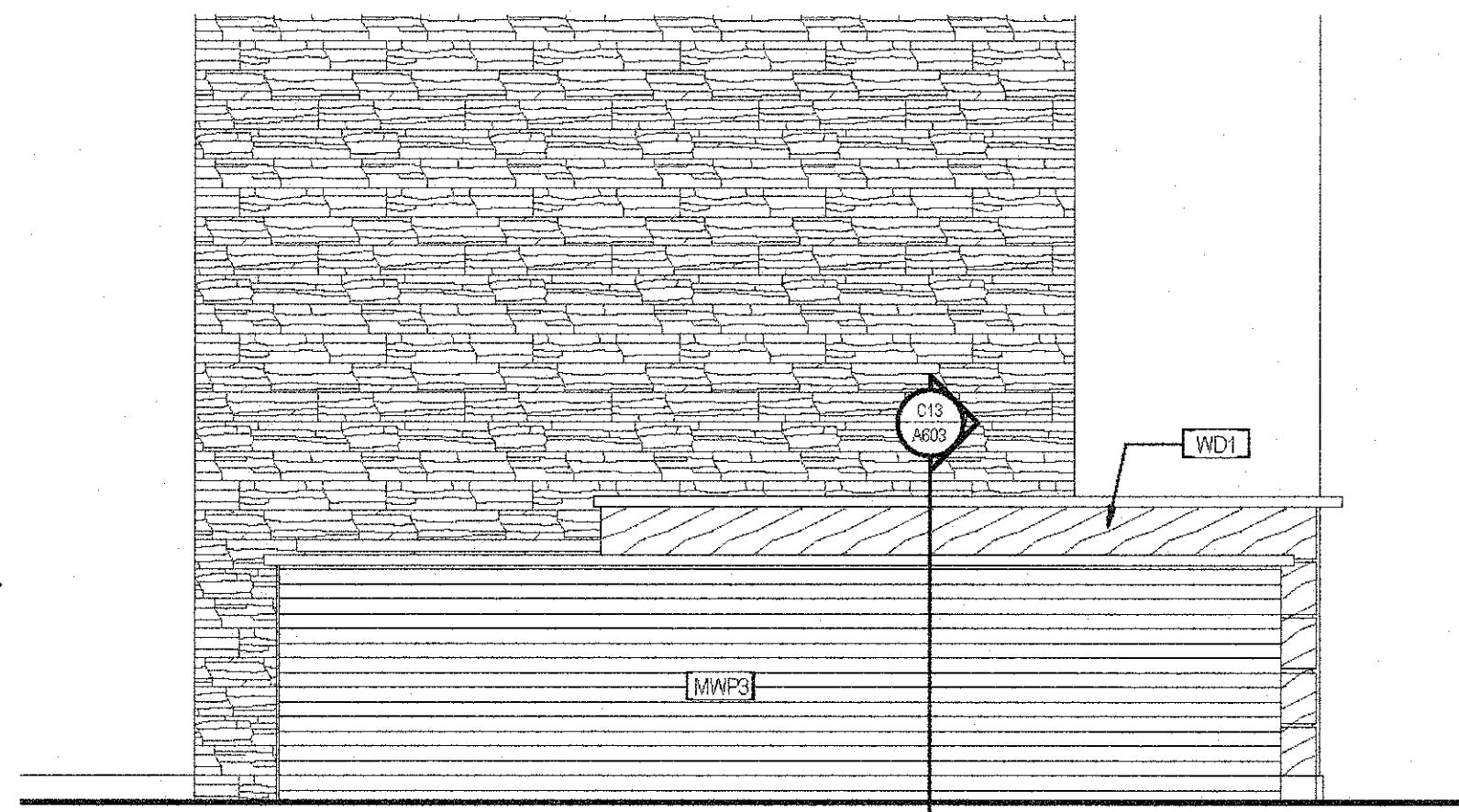
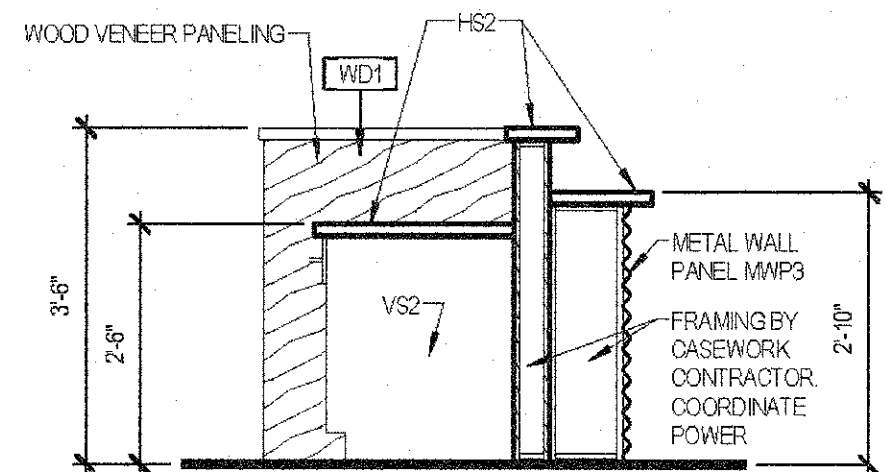


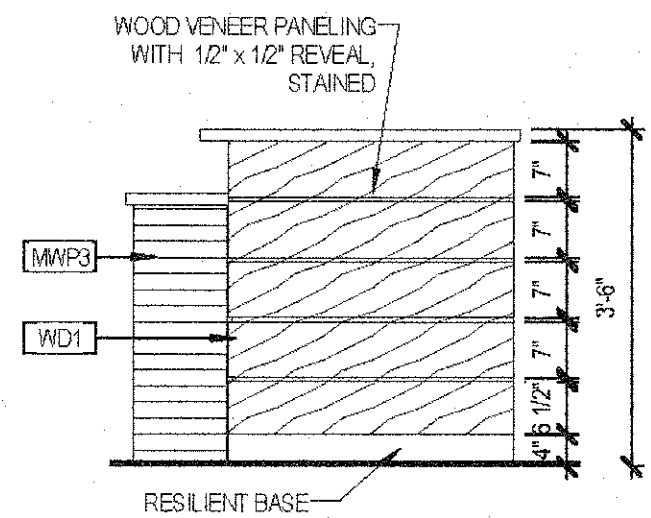
**E1 CASEWORK - RECEPTION DESK**  
SCALE: 1/2" = 1'-0"



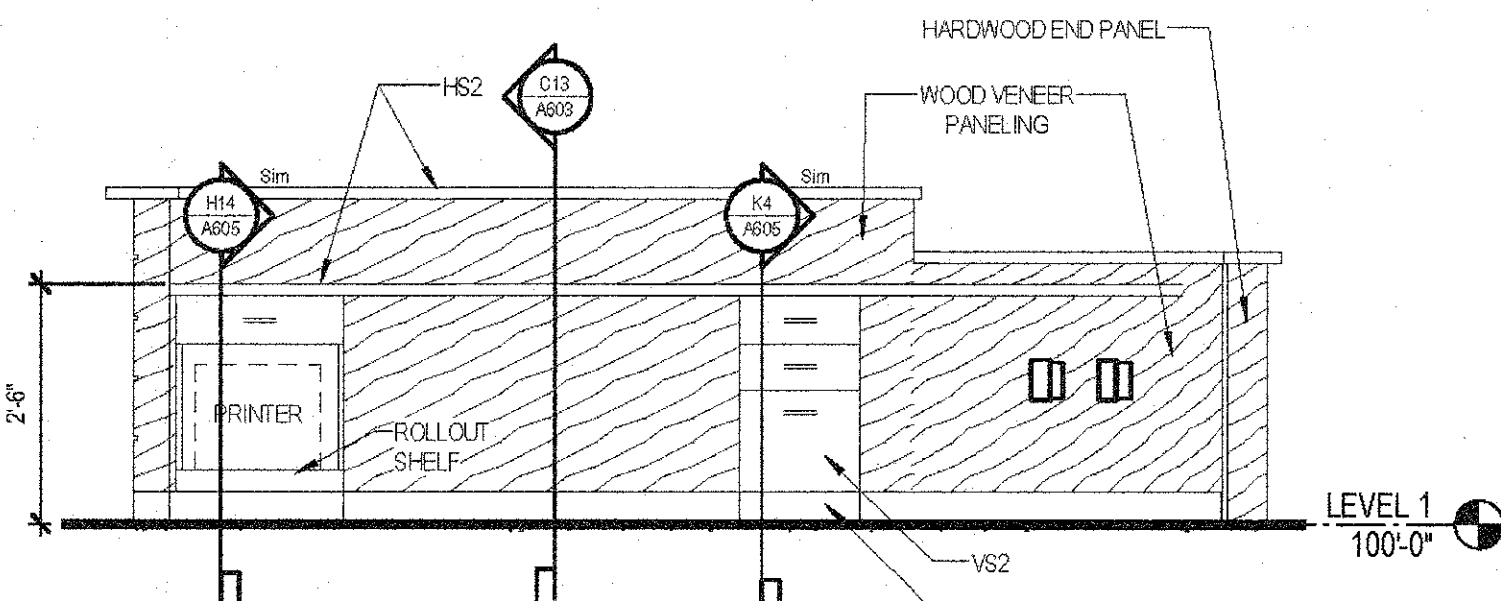
**C6 CASEWORK - RECEPTION FRONT**  
SCALE: 1/2" = 1'-0"



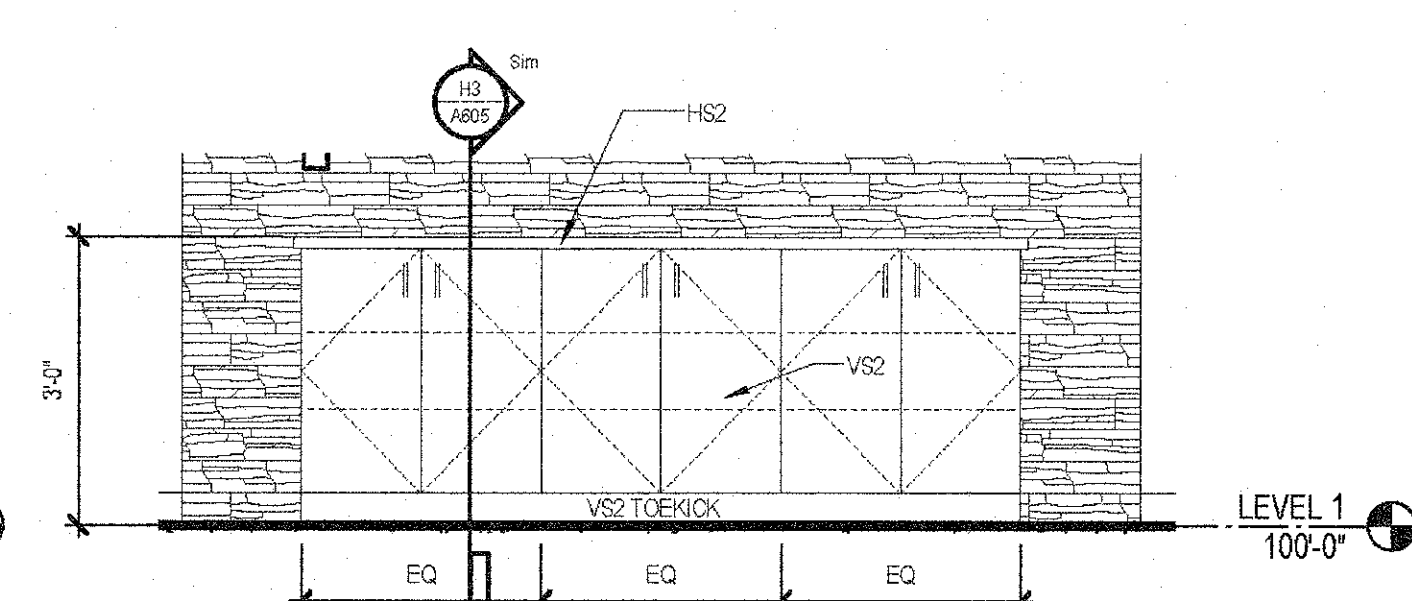
**C13 SECTION - CASEWORK - RECEPTION**  
SCALE: 1/2" = 1'-0"



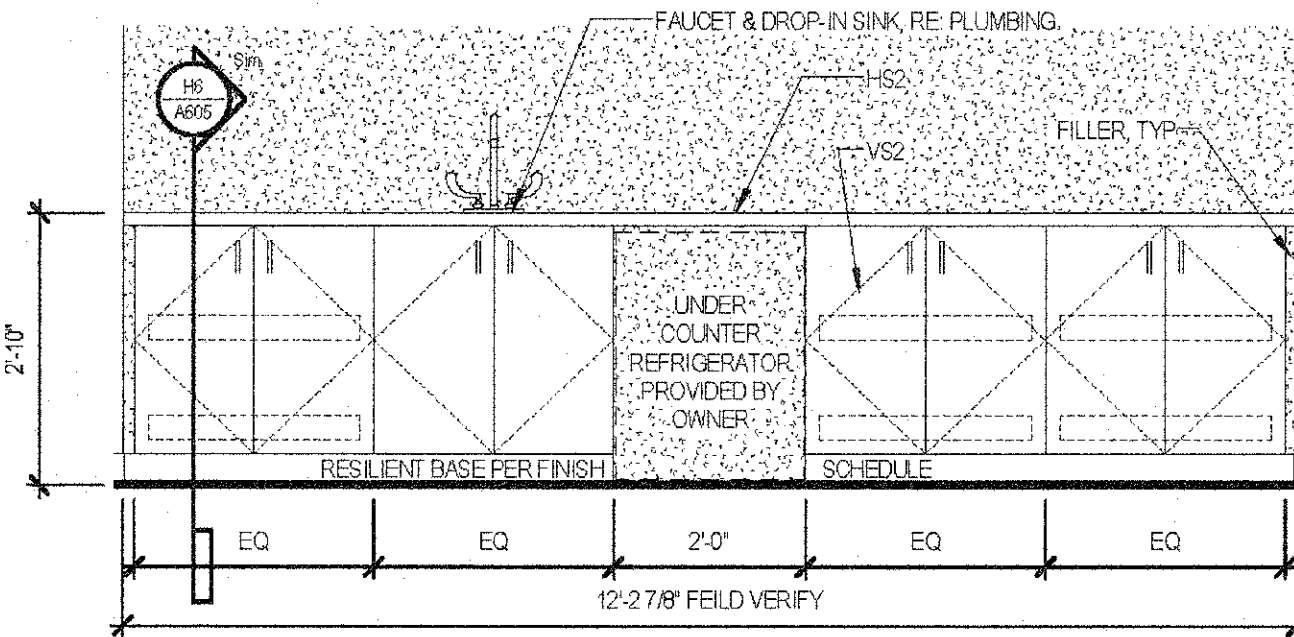
**C15 Casework- Reception Side**  
SCALE: 1/2" = 1'-0"



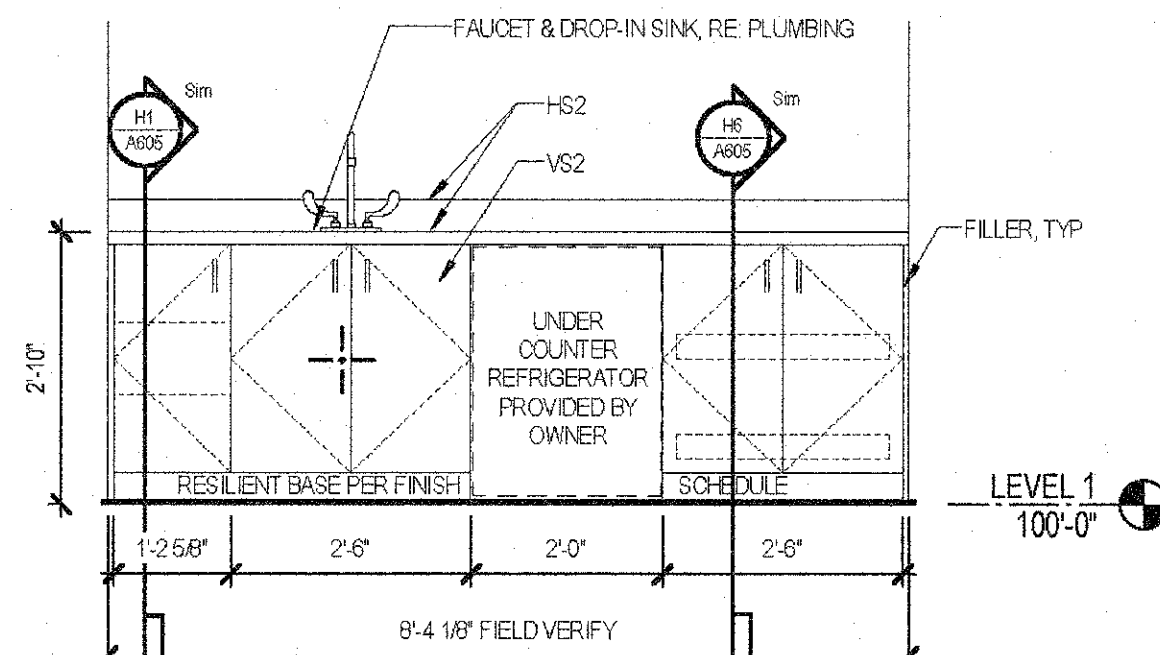
**E6 CASEWORK - RECEPTION STATION**  
SCALE: 1/2" = 1'-0"



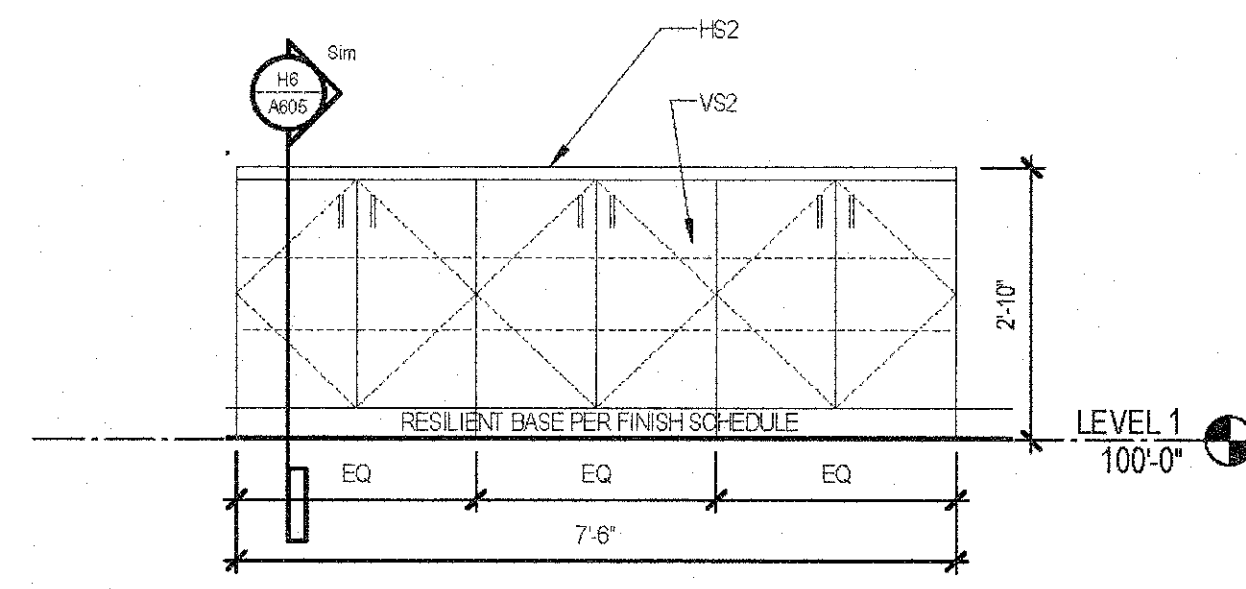
**E12 CASEWORK - RECEPTION BACK WALL**  
SCALE: 1/2" = 1'-0"



**G1 CASEWORK - CONFERENCE 114**  
SCALE: 1/2" = 1'-0"



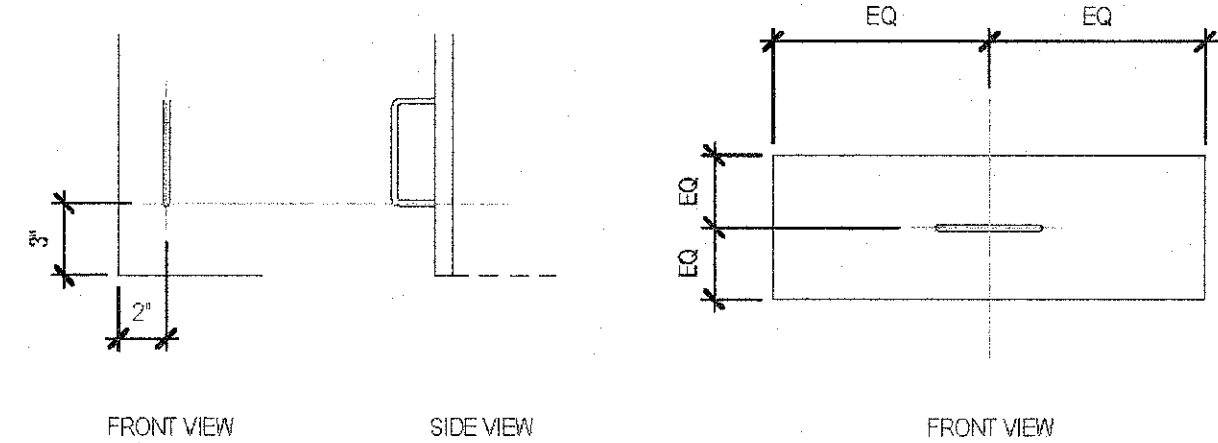
**G7 CASEWORK - SMALL CONFERENCE 130**  
SCALE: 1/2" = 1'-0"



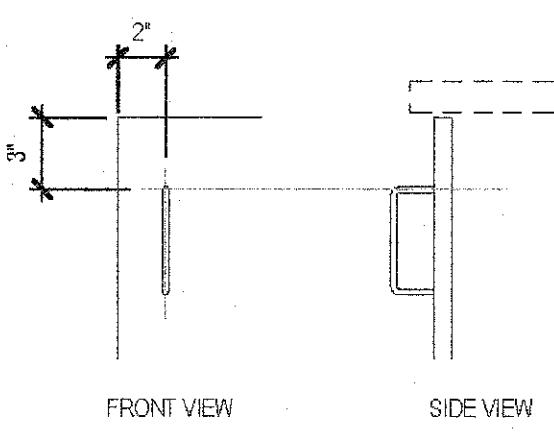
**G12 CASEWORK - COMMUNITY ROOM**  
SCALE: 1/2" = 1'-0"

UPPER CABINET

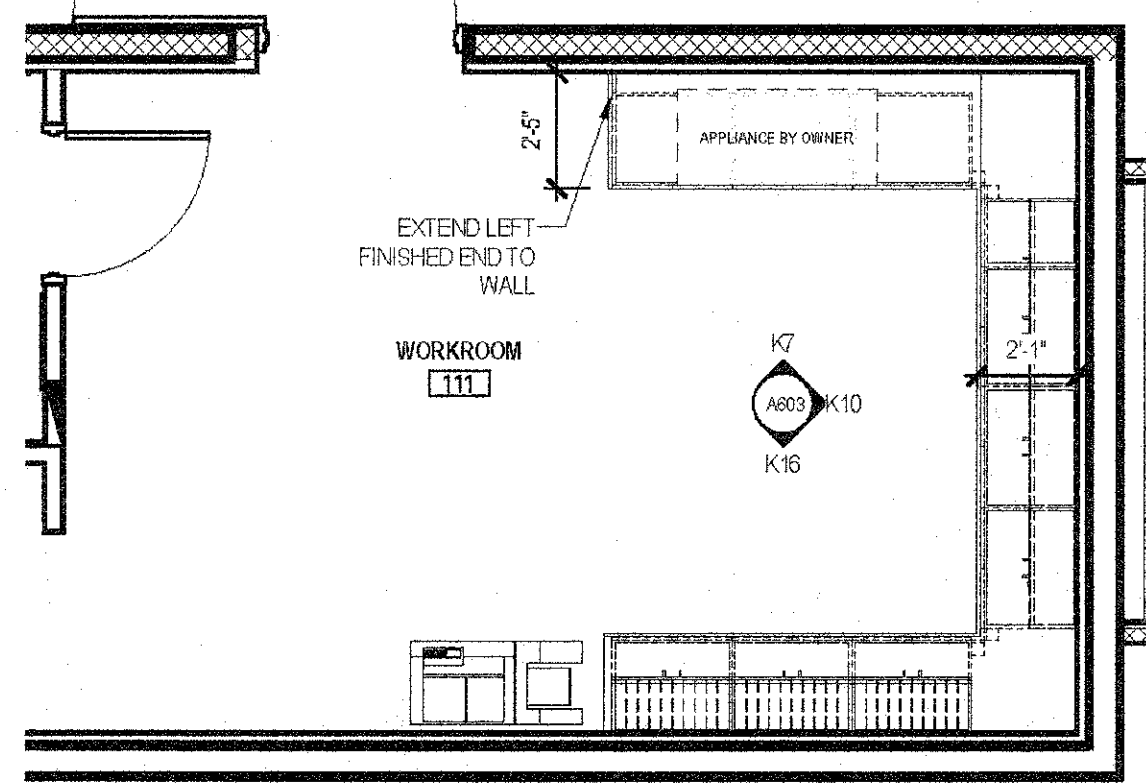
DRAWER



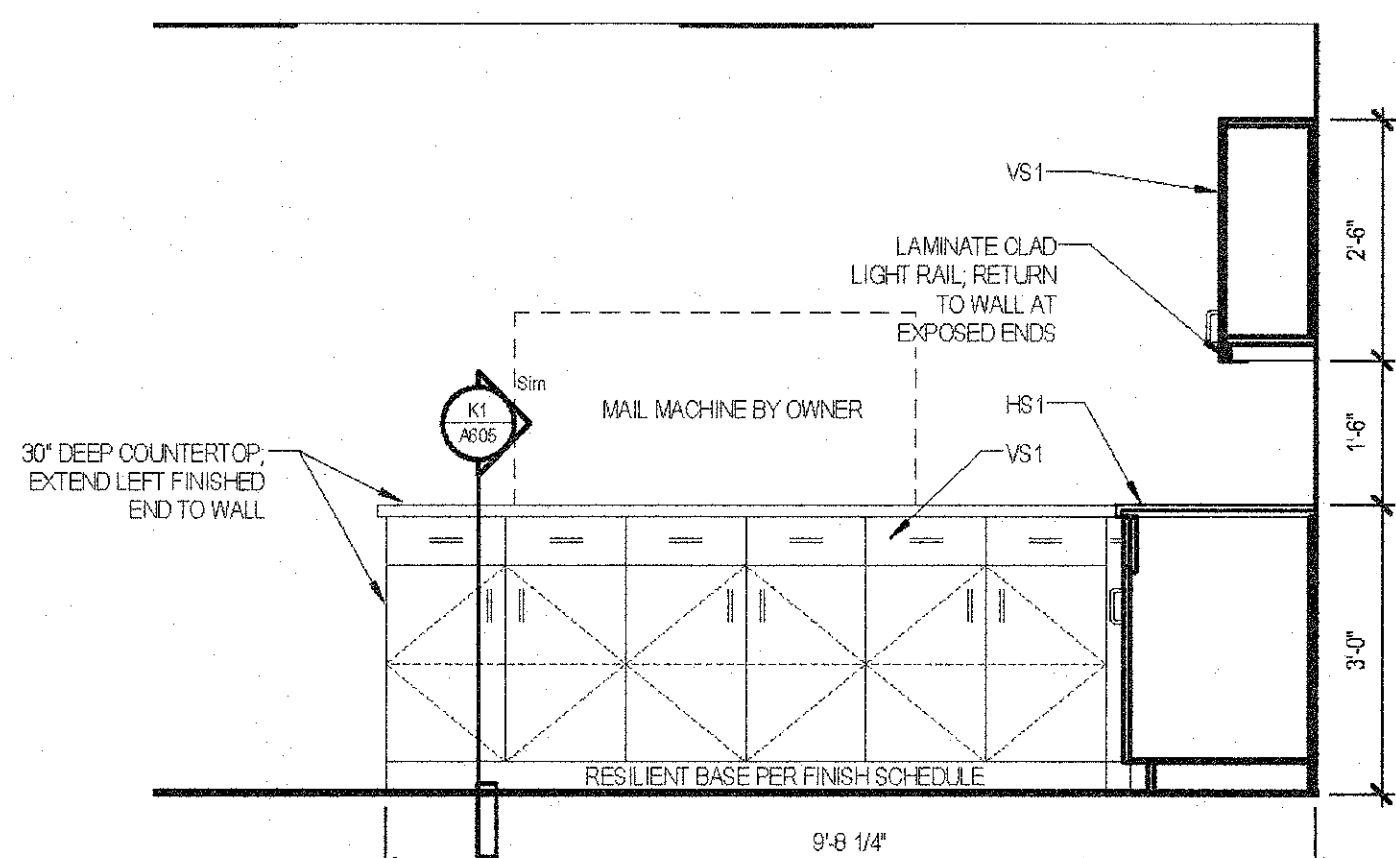
LOWER CABINET



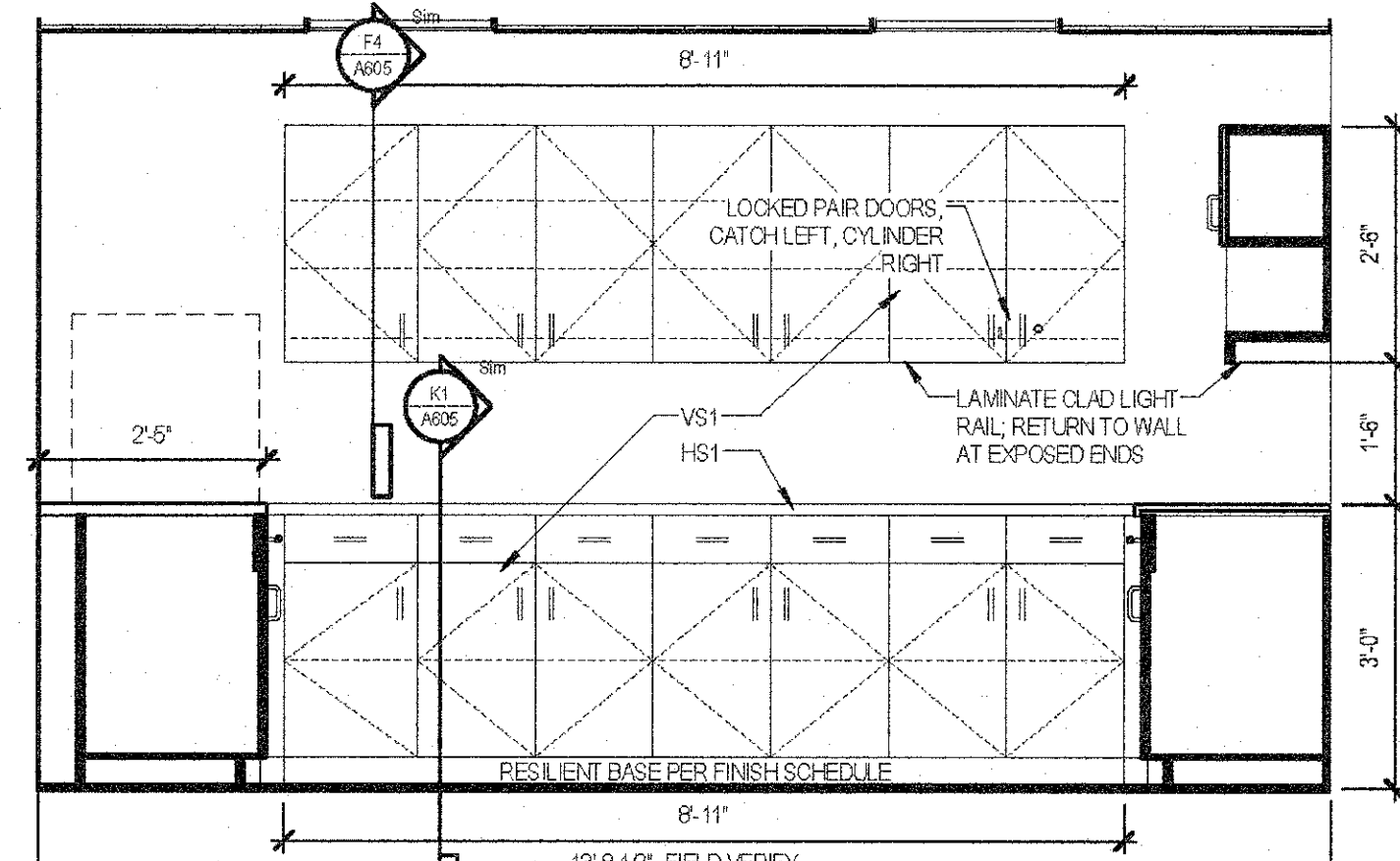
**G17 MILLWORK PULL KEY**  
SCALE: 1 1/2" = 1'-0"



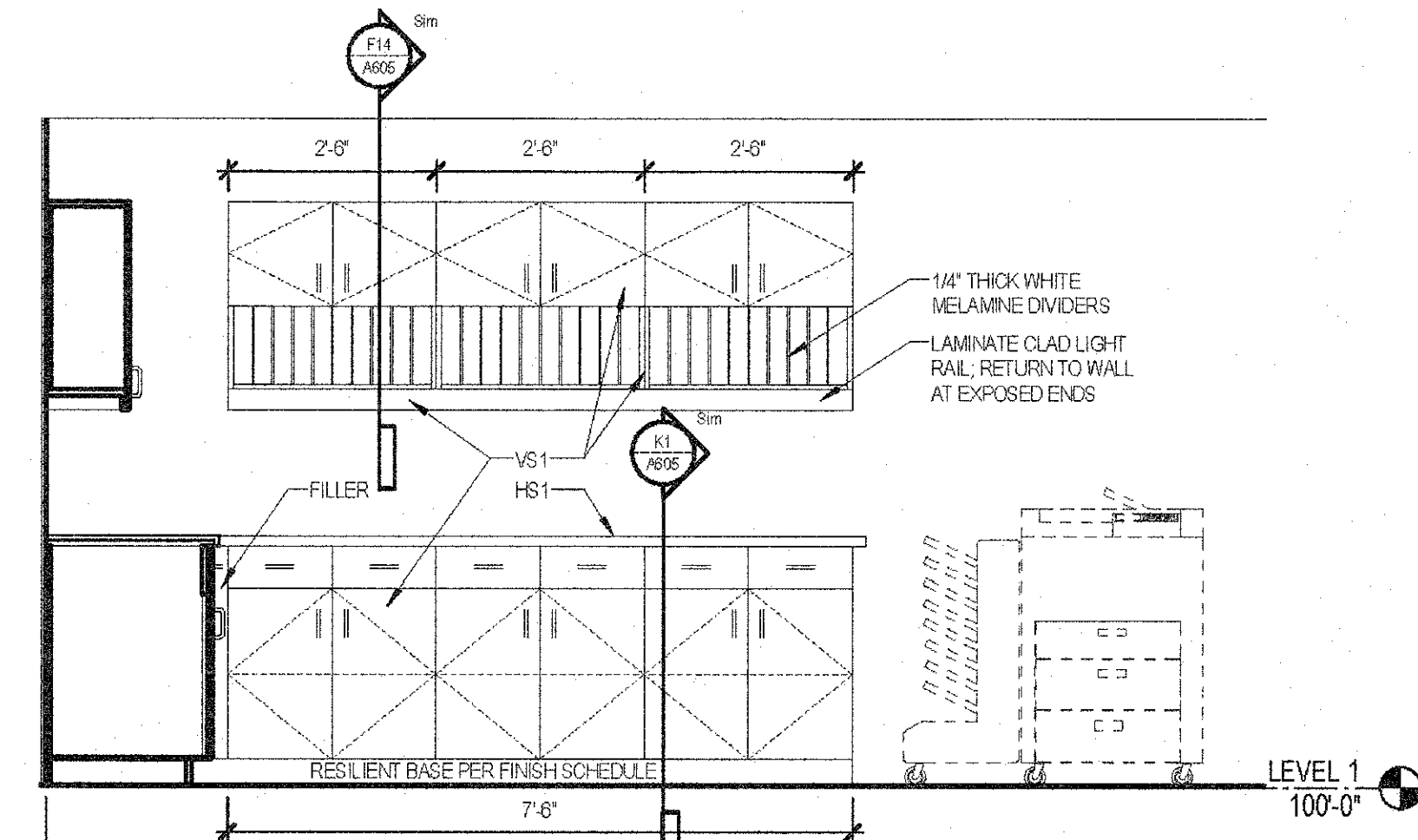
**K1 CASEWORK - WORK ROOM**  
SCALE: 1/4" = 1'-0"



**K7 CASEWORK - WORKROOM NORTH**  
SCALE: 1/2" = 1'-0"



**K10 CASEWORK - WORKROOM EAST**  
SCALE: 1/2" = 1'-0"



**K16 CASEWORK - WORKROOM SOUTH**  
SCALE: 1/2" = 1'-0"

CASEWORK NOTES

Horizontal Surfaces:  
 HS1 - Plastic laminate, standard range of Wilsonart, Formica, or Pionite, with matching laminate crescent edge or 3mm PVC edge to match or compliment.  
 HS2 - Solid surface countertops in public areas: EcoTec Surfaces, color to be determined.  
 HS3 - Solid surface vanity countertops: EcoTec Surfaces, color to be determined.  
 HS4 - Solid surface window sills: EcoTec Surfaces, color to be determined.

Vertical Surfaces:  
 VS1 (Work spaces) - Plastic laminate, standard range Wilsonart, Formica, or Pionite. 1mm pvc edge banding on cabinet faces, 3mm pvc edge banding on door and drawer edges  
 VS2 (Public spaces) - Plastic laminate, premium range Wilsonart, Formica, or Pionite. 1mm pvc edge banding on cabinet faces, 3mm pvc edge banding on door and drawer edges  
 VS3 (Public Vanities) - Plastic laminate, premium range Wilsonart, Formica, or Pionite. 1mm pvc edge banding on cabinet faces, 3mm pvc edge banding on door and drawer edges

Cabinet interiors: White melamine over 3/4" particle board core, moisture resistant particle board at all sink cabinets (kitchen and vanities).

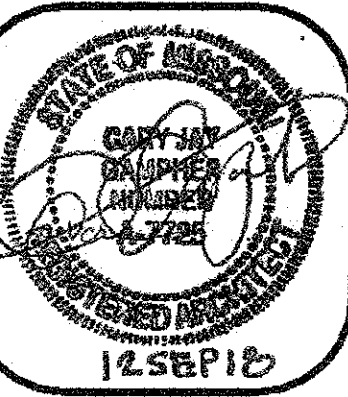
Construction: 8mm dowels or blind dado

Pulls: Amerock BP53003-G10 or approved equal

Hinges: concealed hinges, 120° opening min.

Drawer guides: full extension.

Base at toekick per casework elevations and finish schedule.



CENTRAL MISSOURI PROFESSIONAL SERVICES, INC.  
 MISSOURI STATE CERTIFICATE OF AUTHORITY # 001568  
 SSC ENGINEERING, INC.  
 MISSOURI STATE CERTIFICATE OF AUTHORITY # 001244  
 SSC ENGINEERING, INC.  
 MISSOURI STATE CERTIFICATE OF AUTHORITY # 001244



Missouri State Certificate of Authority # 000143  
 631 West Main Street  
 Jefferson City, Missouri  
 (573) 636-5000 phone

CASEWORK ELEVATIONS AND DETAILS

MISSOURI SOYBEAN INNOVATION CENTER  
 NEW OFFICE BUILDING  
 734 S. COUNTRY CLUB DRIVE  
 JEFFERSON CITY, MISSOURI

PROJECT NO. 1613  
 DATE: SEP. 12, 2018

**A603**