

CENTRAL MISSOURI PROFESSIONAL SERVICES, INC.
 MISSOURI STATE CERTIFICATE OF AUTHORITY # 001558
 CIVIL ENGINEER
 SSC ENGINEERING, INC.
 MISSOURI STATE CERTIFICATE OF AUTHORITY # 001244
 MECHANICAL/ELECTRICAL/PLUMBING ENGINEER
 SSC ENGINEERING, INC.
 MISSOURI STATE CERTIFICATE OF AUTHORITY # 001244
 STRUCTURAL ENGINEER



Missouri State Certificate of Authority # 000143

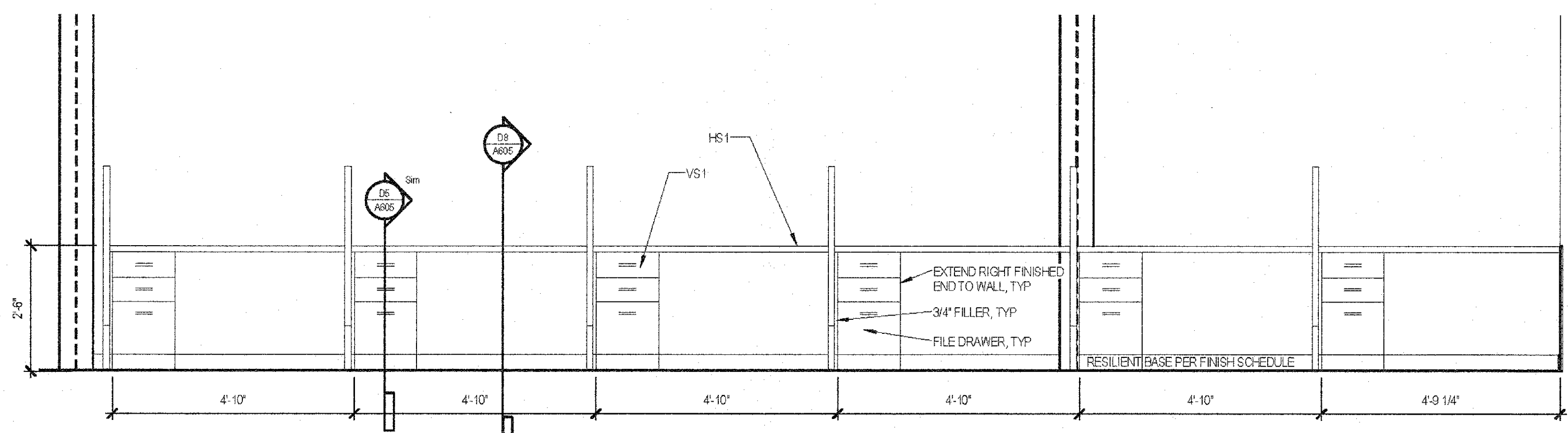
631 West Main Street
 Jefferson City, Missouri
 (573) 636-5000 phone

CASEWORK ELEVATIONS AND DETAILS

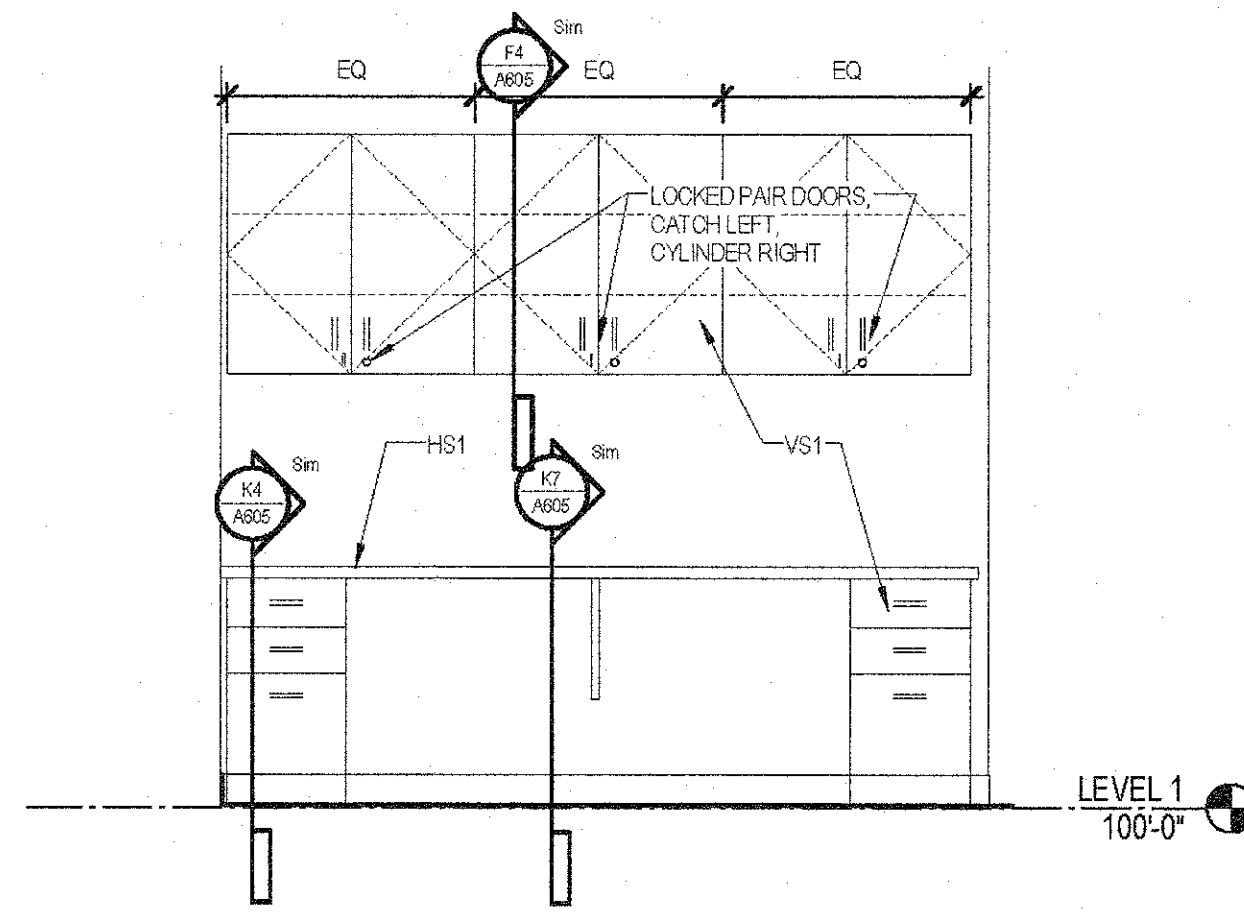
MISSOURI SOYBEAN INNOVATION CENTER
 NEW OFFICE BUILDING
 734 S. COUNTRY CLUB DRIVE
 JEFFERSON CITY, MISSOURI

PROJECT NO. 1613
 DATE: SEP. 12, 2018

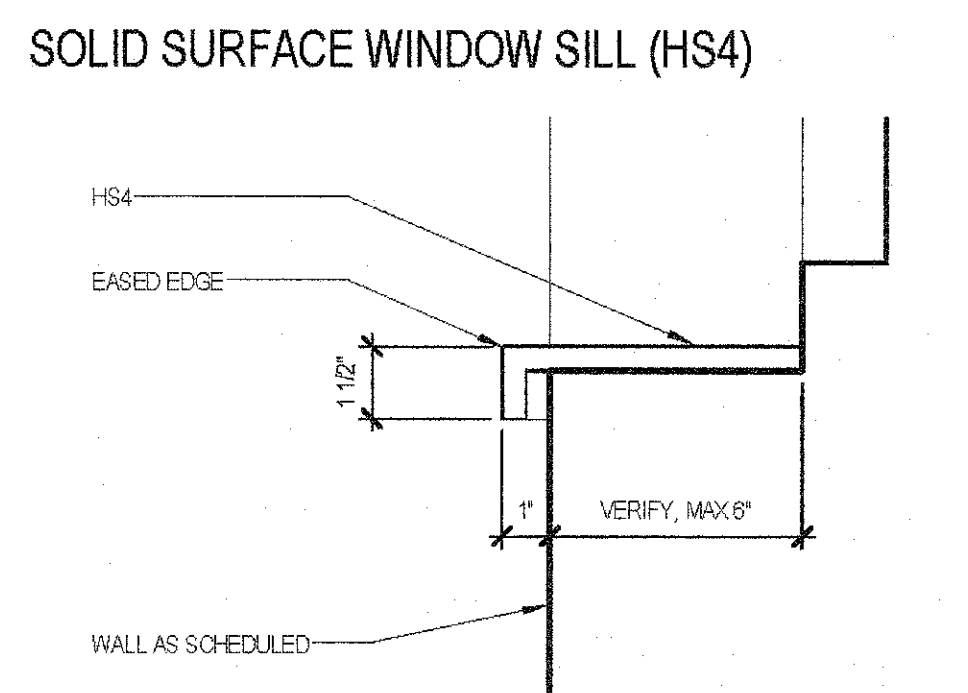
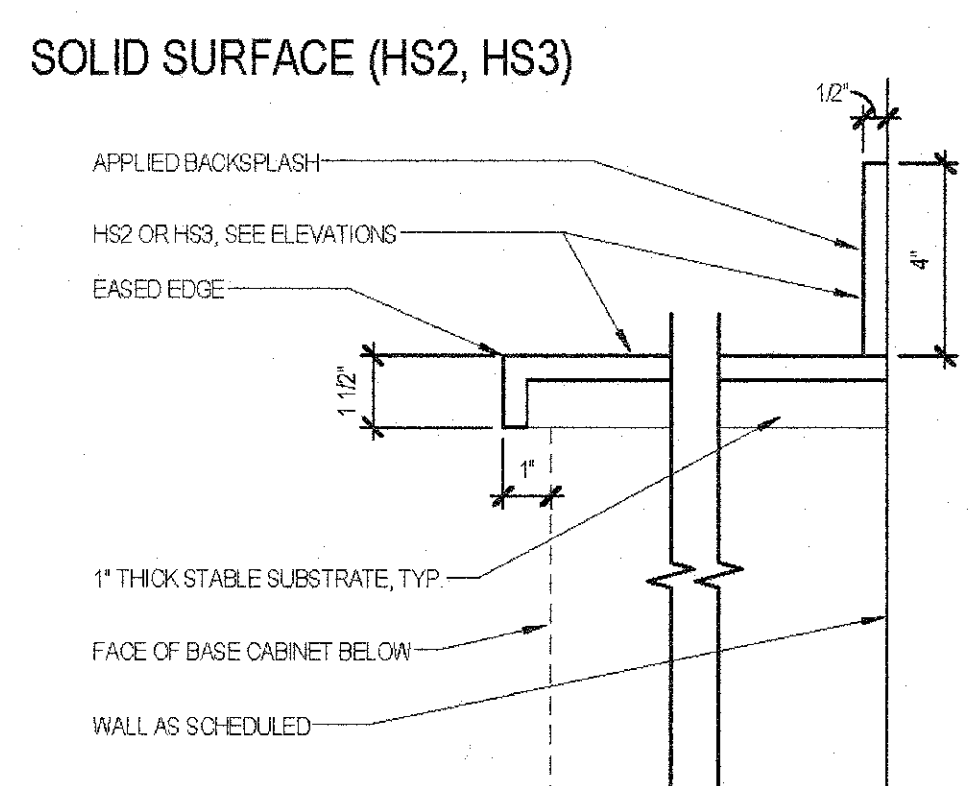
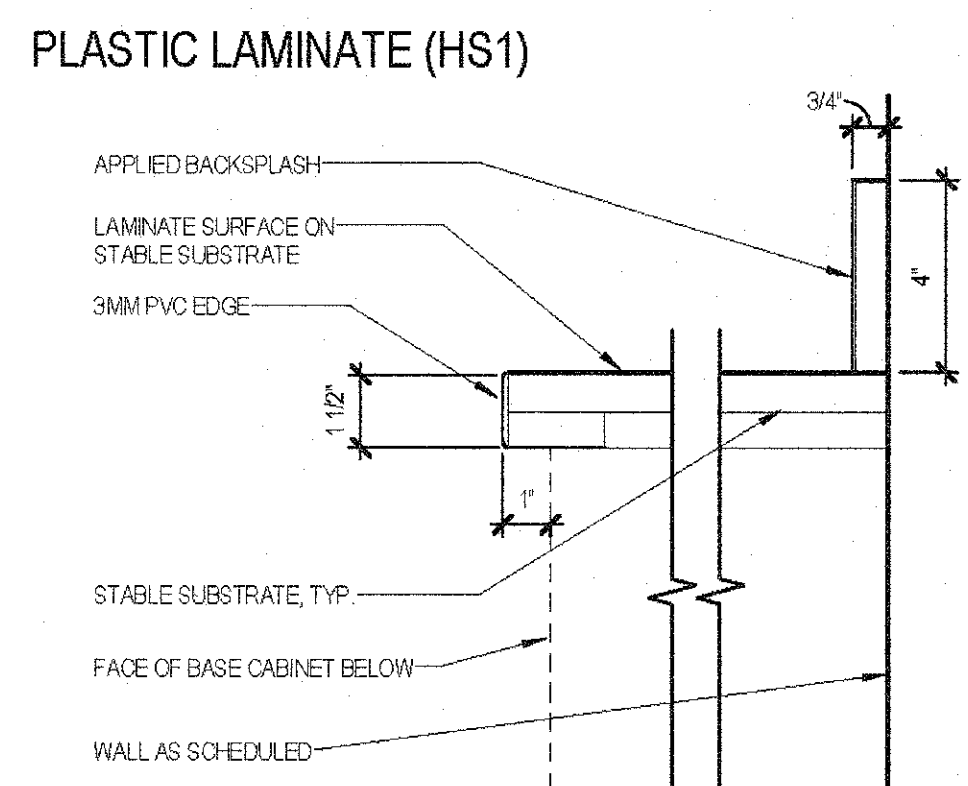
A605



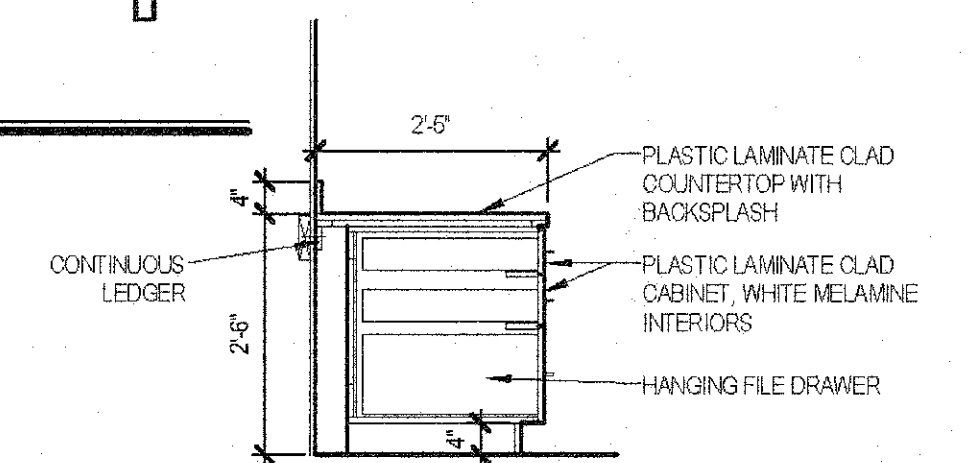
C2 CASEWORK-WORKSTATIONS
 SCALE: 1/2" = 1'-0"



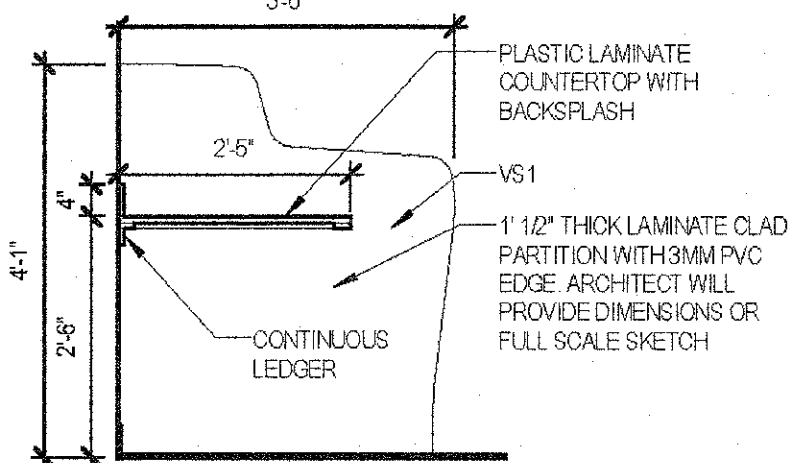
C13 CASEWORK-DESK
 SCALE: 1/2" = 1'-0"



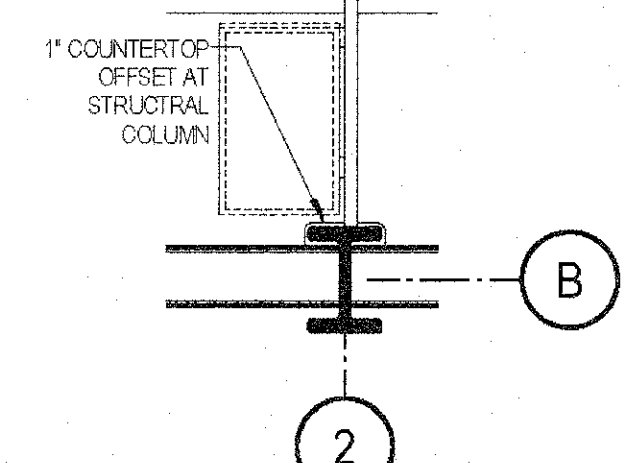
G18 MILLWORK-COUNTERTOP KEY
 SCALE: 3" = 1'-0"



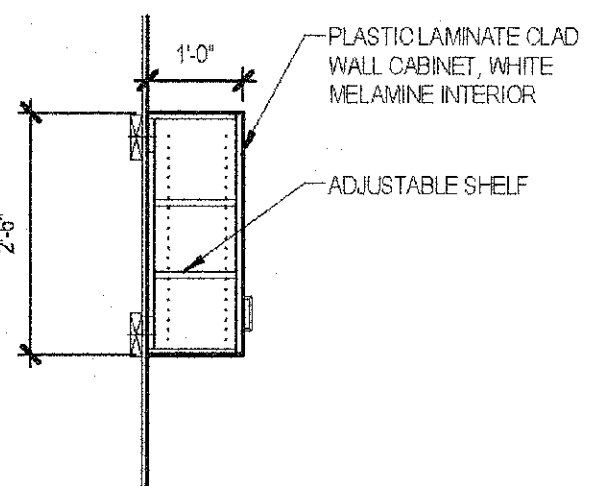
D5 SECTION-CSWK-BASE WKSTN 30
 SCALE: 1/2" = 1'-0"



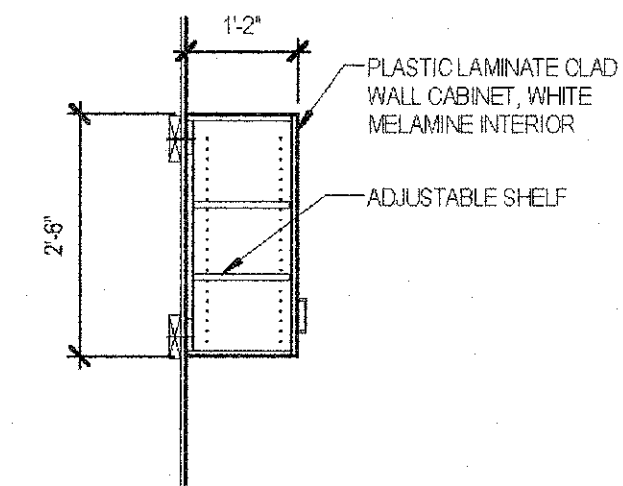
D8 SECTION-CSWK-WKSTN
 SCALE: 1/2" = 1'-0"



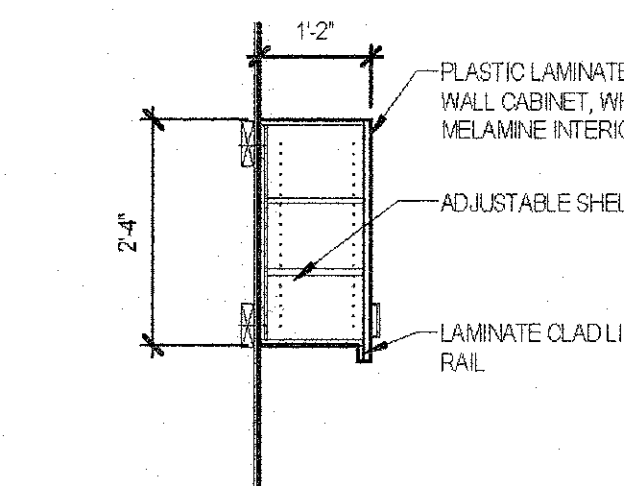
D11 COUNTERTOP @ COLUMN B2
 SCALE: 1/2" = 1'-0"



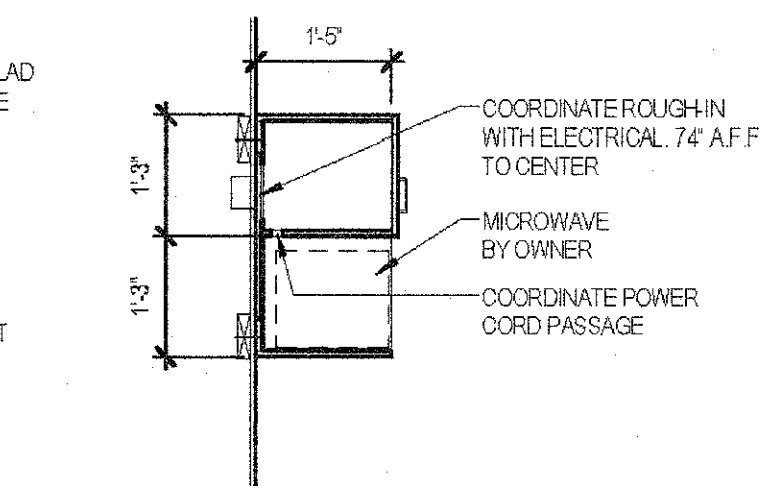
F1 SECTION-CSWK-UPPER 12D
 SCALE: 1/2" = 1'-0"



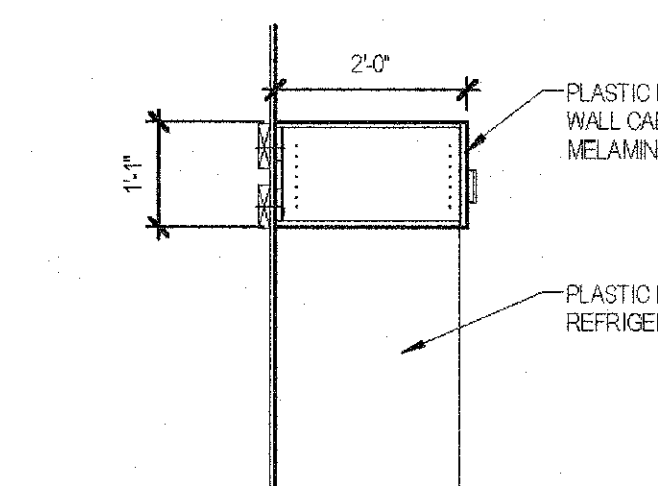
F4 SECTION-CSWK-UPPER 14D
 SCALE: 1/2" = 1'-0"



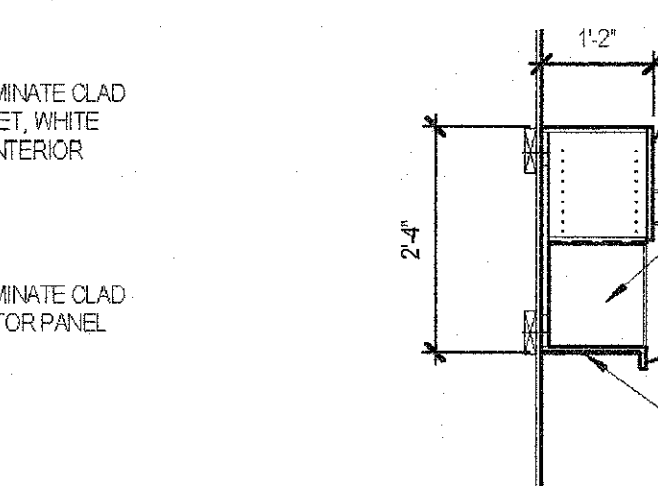
F6 SECTION-CSWK-UPPER LR
 SCALE: 1/2" = 1'-0"



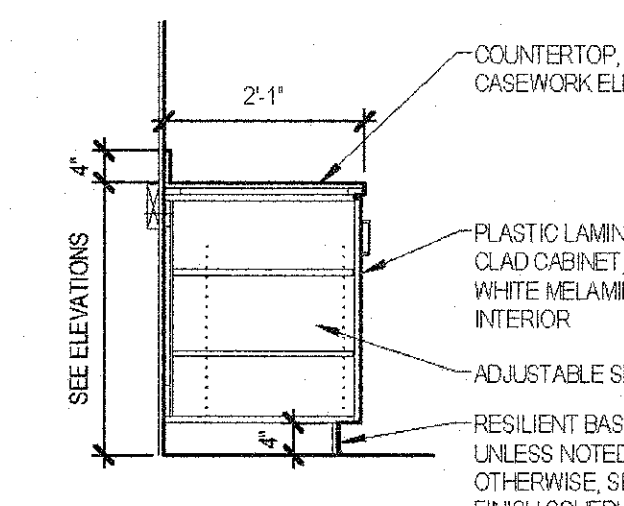
F8 SECTION-CSWK-UPPER MIC.
 SCALE: 1/2" = 1'-0"



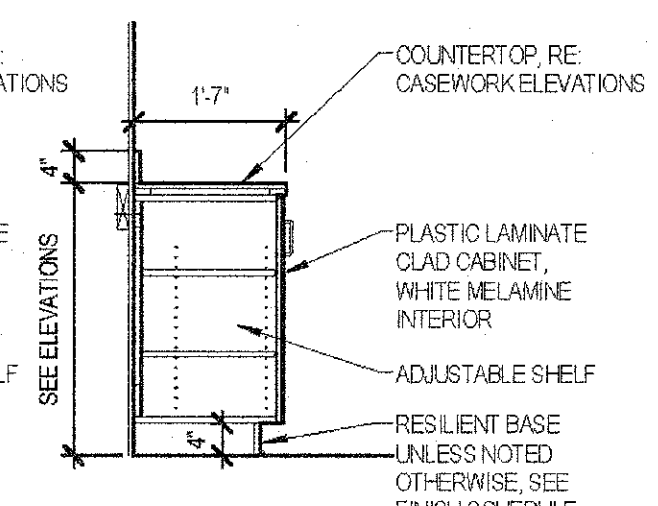
F11 SECTION-CSWK-ABV. FRIGE
 SCALE: 1/2" = 1'-0"



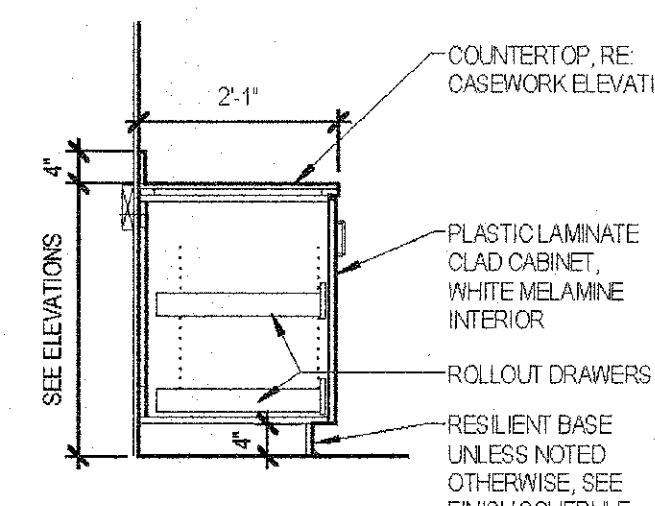
F14 SECTION-CSWK-UPPER MAIL
 SCALE: 1/2" = 1'-0"



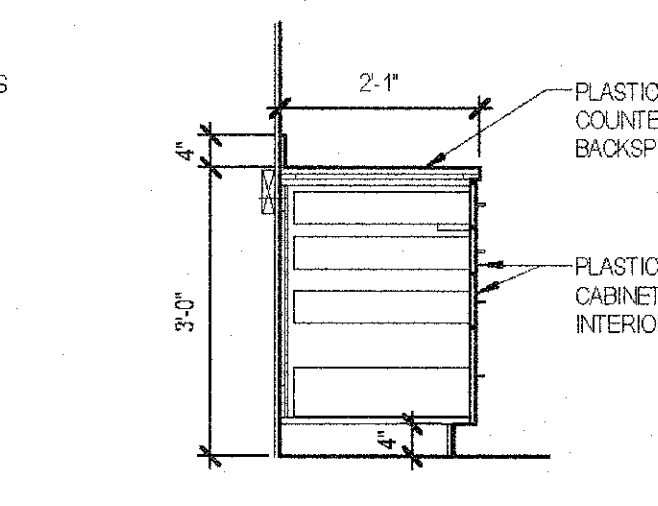
H1 SECTION-CSWK-BASE
 SCALE: 1/2" = 1'-0"



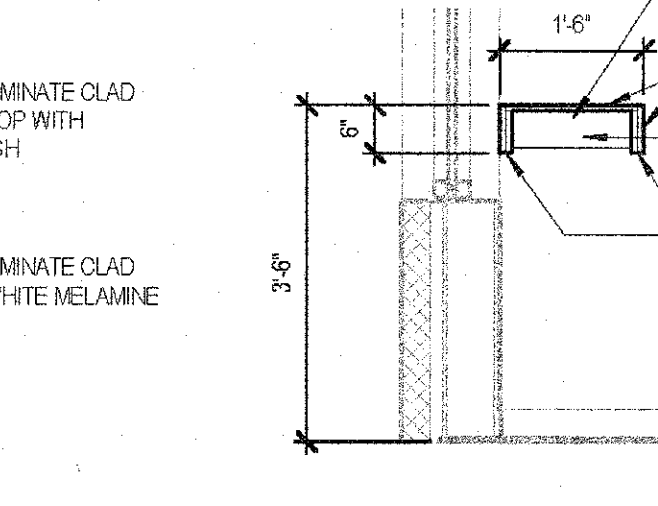
H3 SECTION-CSWK-BASE 18D
 SCALE: 1/2" = 1'-0"



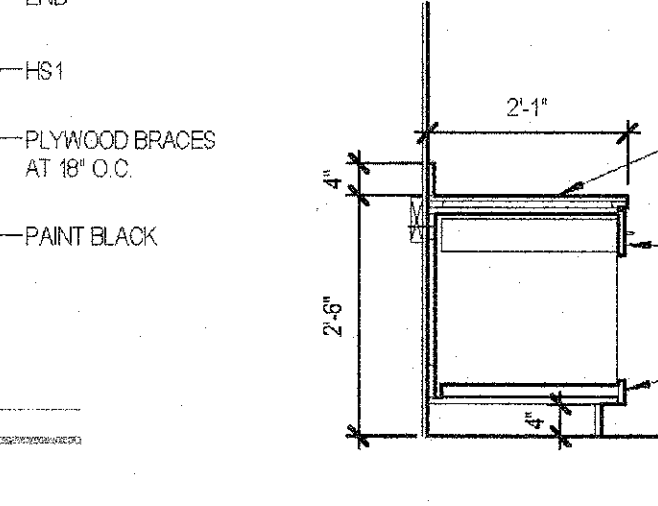
H6 SECTION-CSWK-ROLLOUTS
 SCALE: 1/2" = 1'-0"



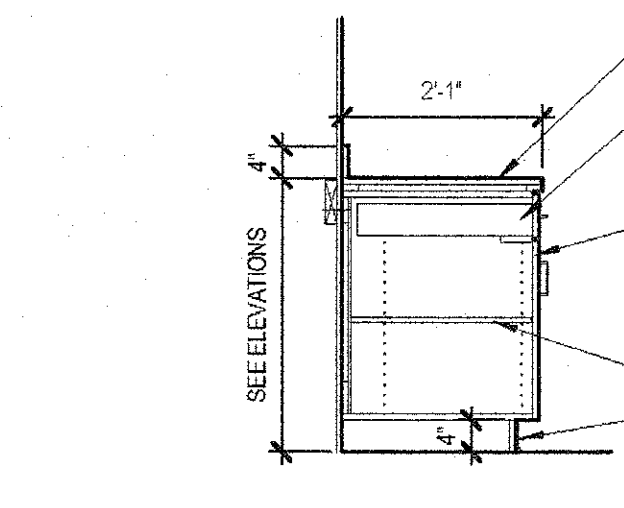
H9 SECTION-CSWK-BASE 4 DWR
 SCALE: 1/2" = 1'-0"



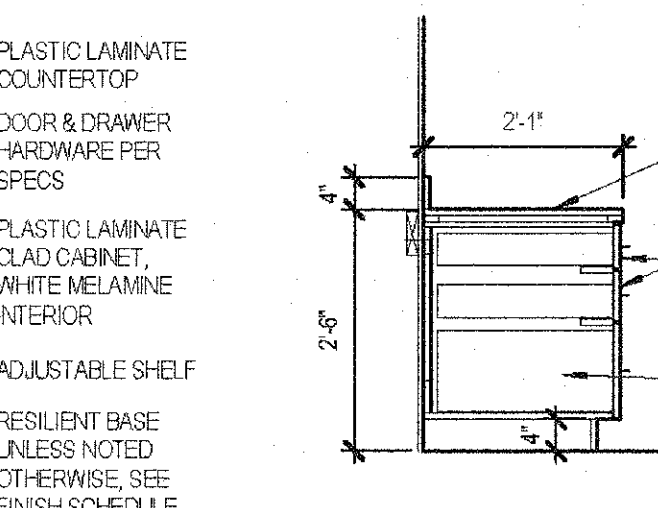
H11 SECTION-CSWK-BAR
 SCALE: 1/2" = 1'-0"



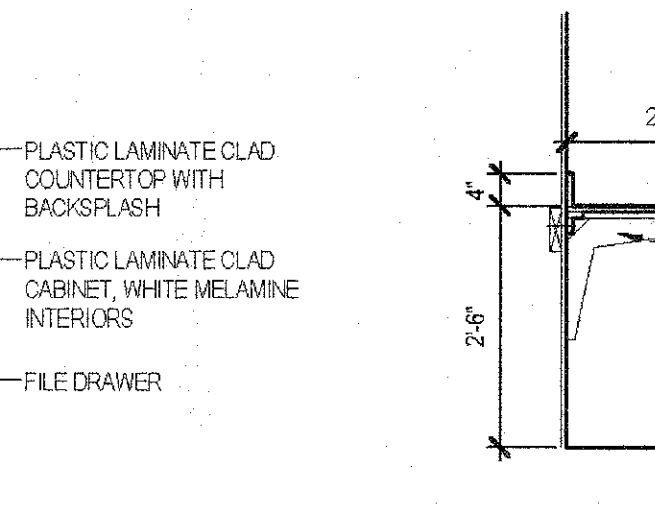
H14 SECTION-CSWK-PRINTER
 SCALE: 1/2" = 1'-0"



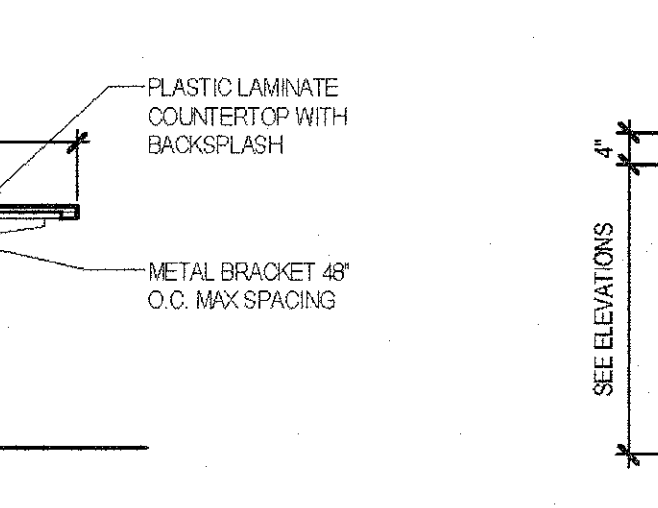
K1 SECTION-CSWK-BASE STANDARD
 SCALE: 1/2" = 1'-0"



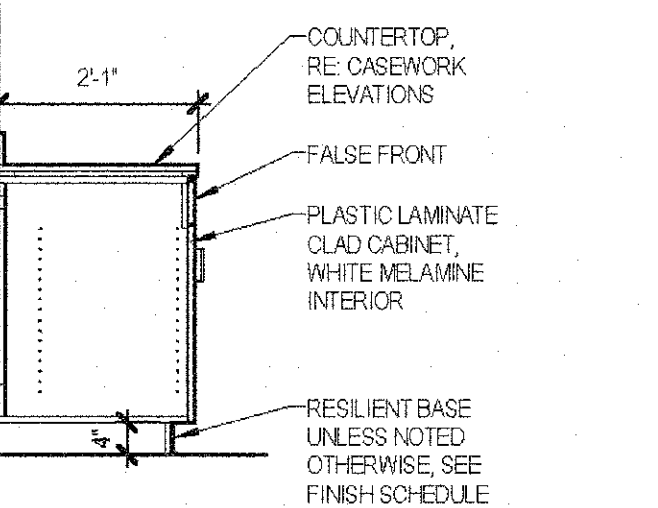
K4 SECTION-CSWK-BASE WKSTN
 SCALE: 1/2" = 1'-0"



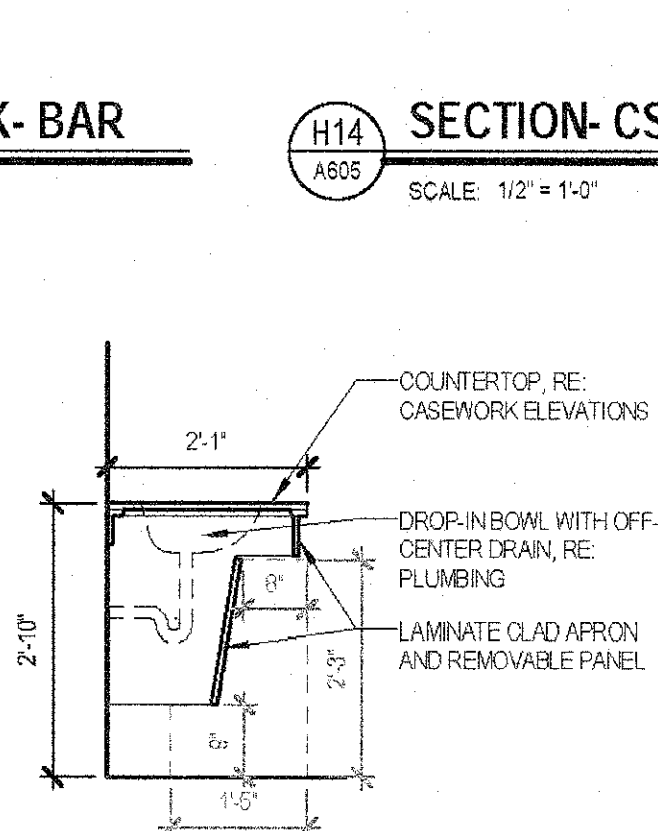
K7 SECTION-CSWK-BASE DESK
 SCALE: 1/2" = 1'-0"



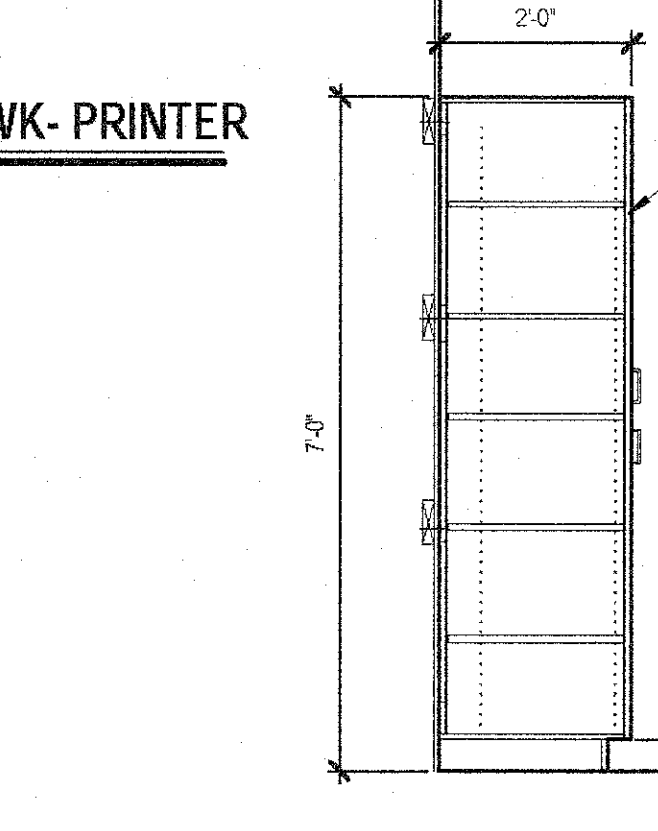
K10 SECTION-CSWK-BASE SINK
 SCALE: 1/2" = 1'-0"



K13 SECTION-CSWK-ACCESSIBLE SINK
 SCALE: 1/2" = 1'-0"



K16 SECTION-CSWK-PANTRY 24D
 SCALE: 1/2" = 1'-0"



K18 SECTION-CSWK-PANTRY 18D
 SCALE: 1/2" = 1'-0"