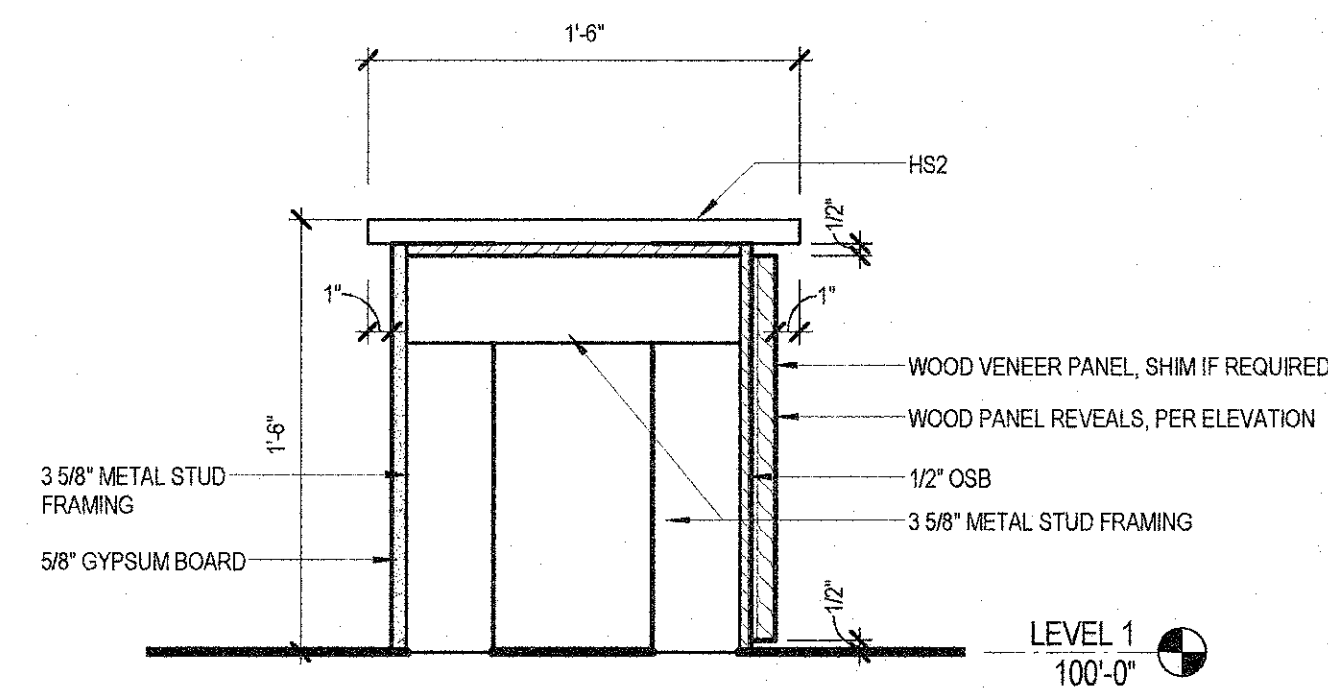


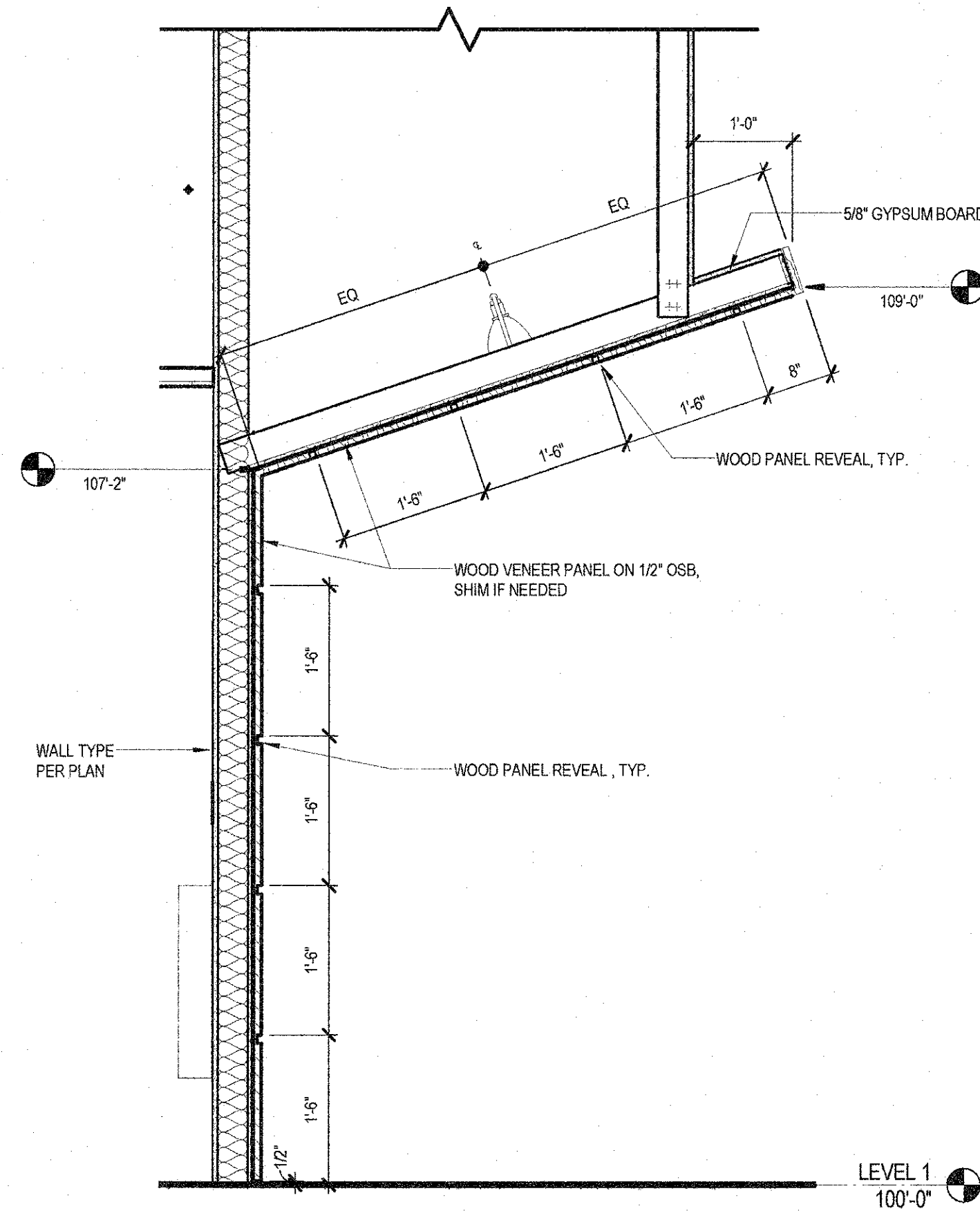
C2 INDOOR FIREPLACE DETAIL

SCALE: 1 1/2" = 1'-0"



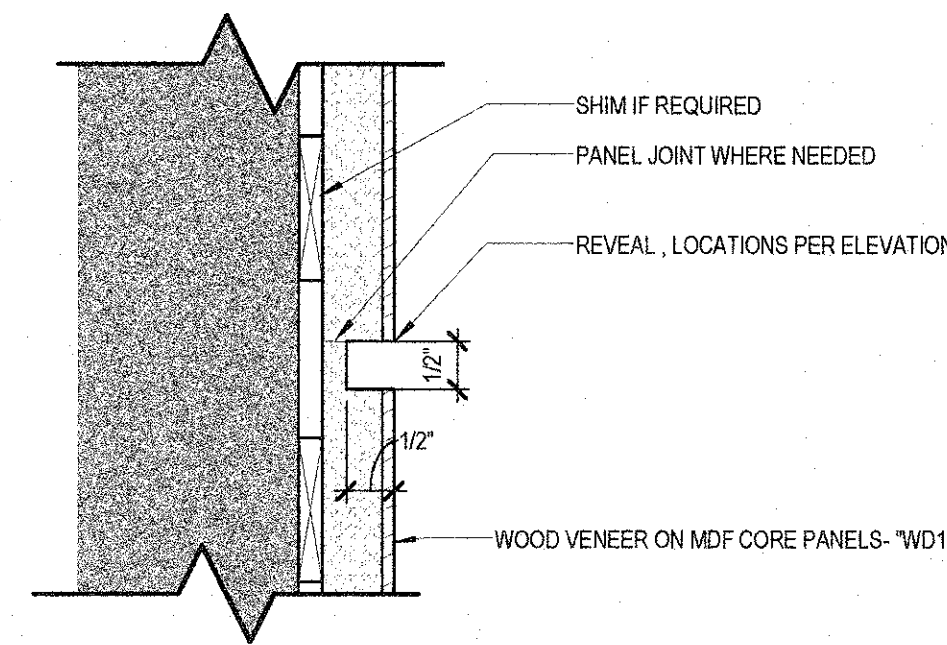
E2 UNDER STAIR BENCH DETAIL

SCALE: 1 1/2" = 1'-0"



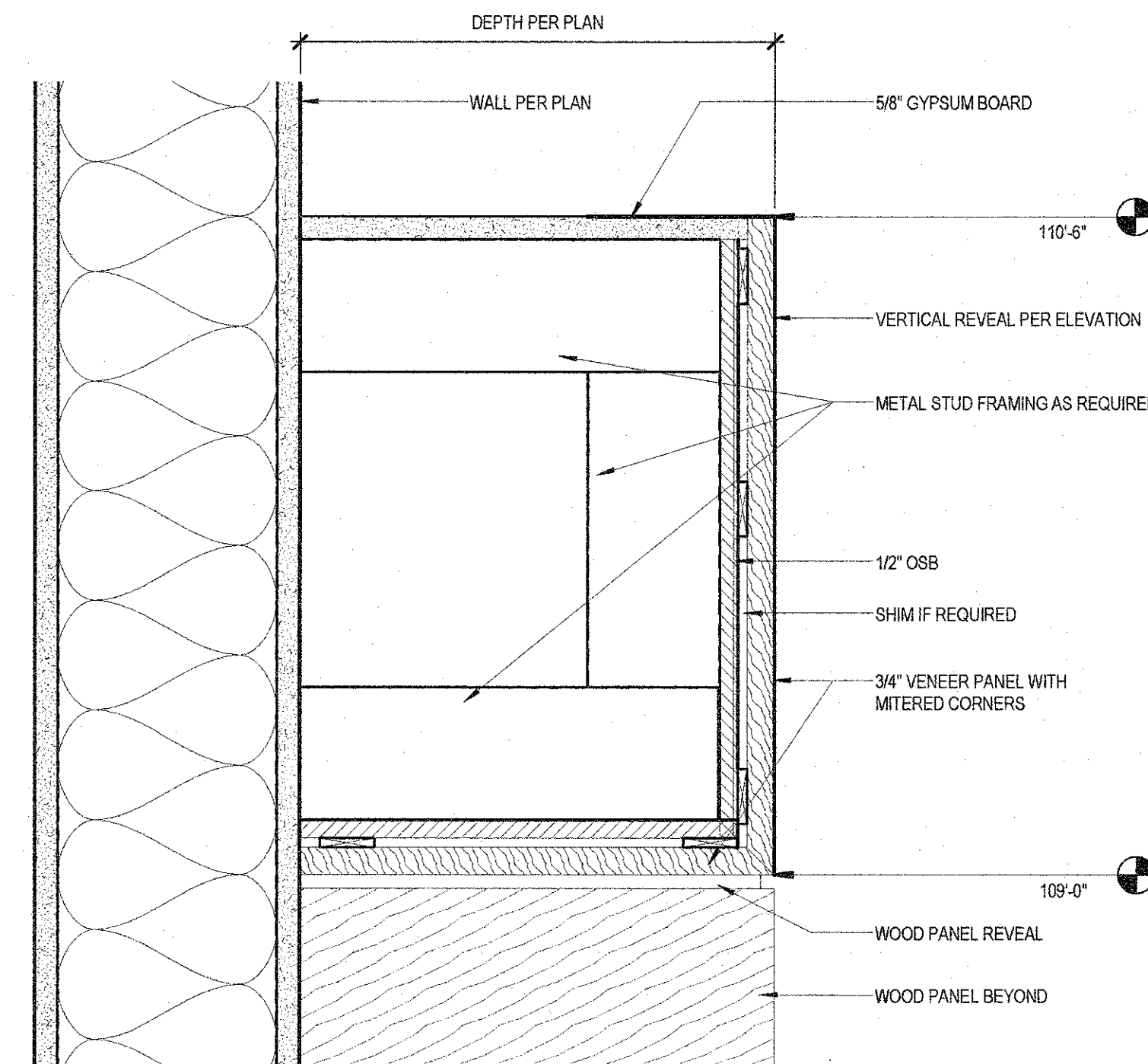
K2 SEATING NICHE WALL SECTION DETAIL

SCALE: 3/4" = 1'-0"



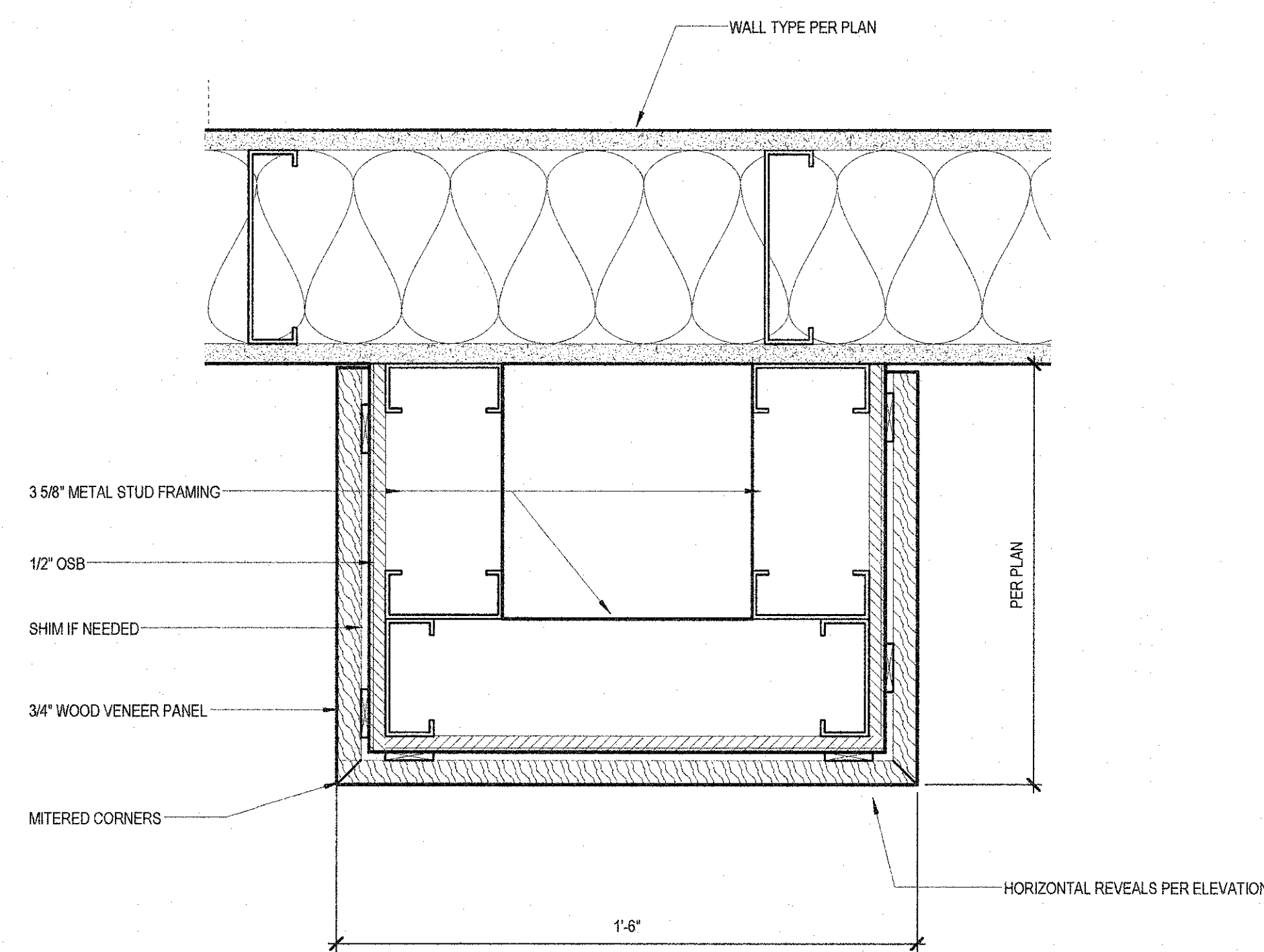
B8 WOOD PANEL REVEAL

SCALE: 6" = 1'-0"



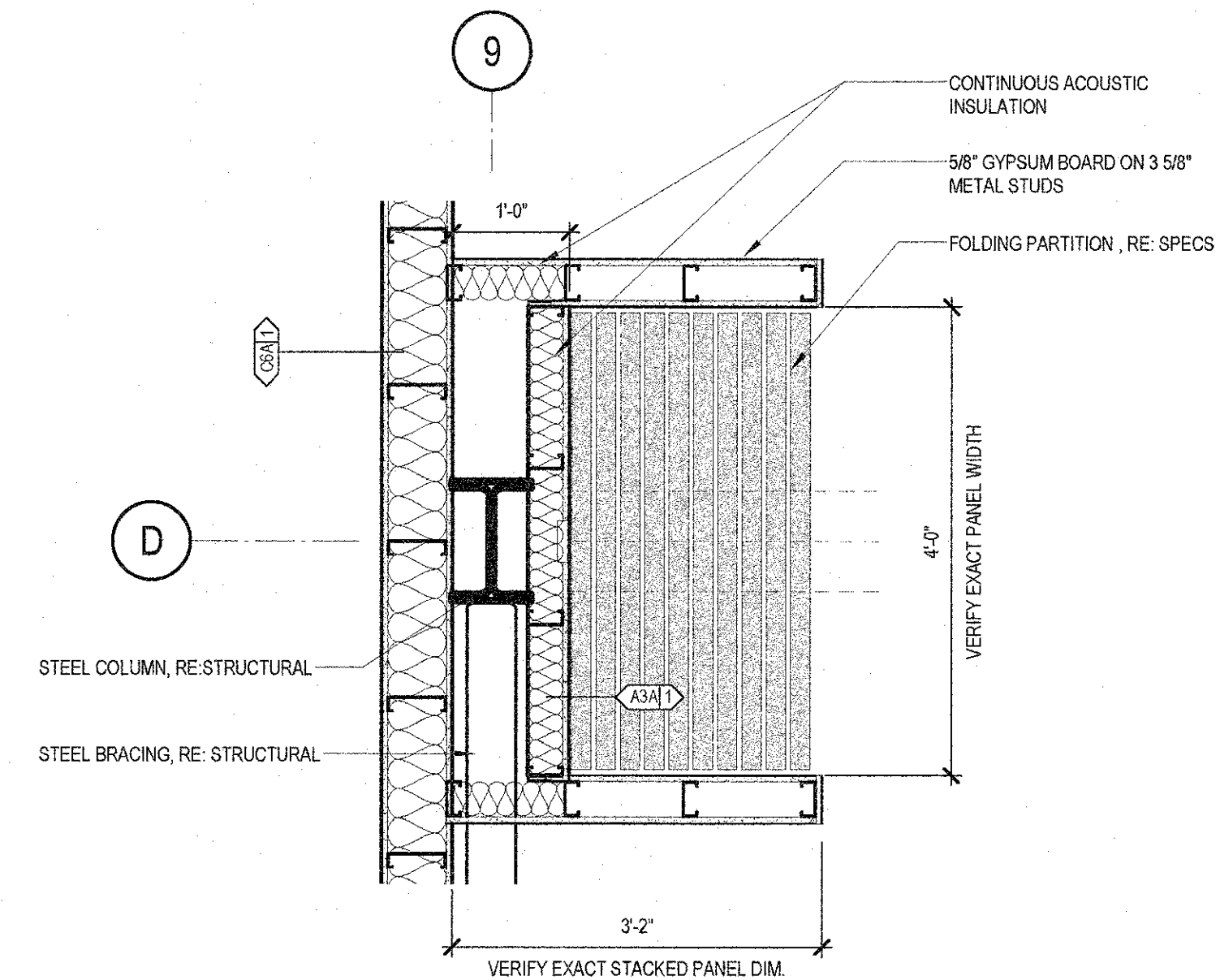
F8 WOOD PANEL SOFFIT DETAIL

SCALE: 3" = 1'-0"



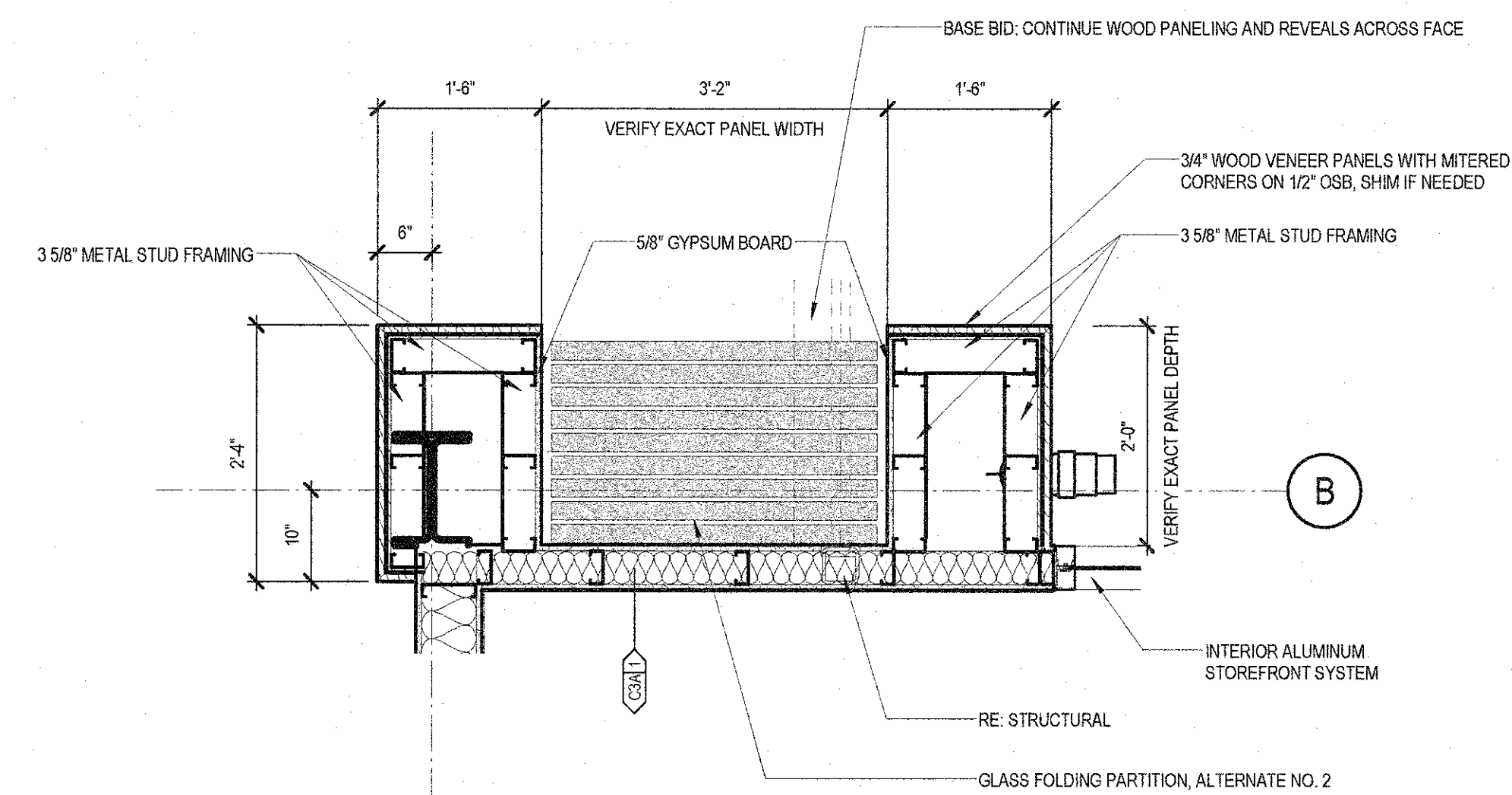
K8 WOOD PANEL PLAN DETAIL

SCALE: 3" = 1'-0"



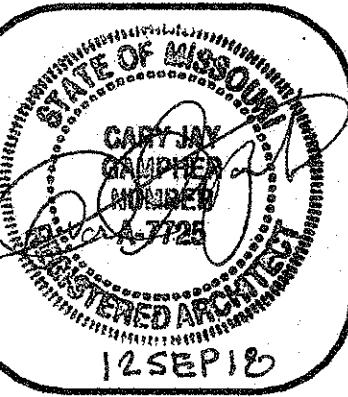
2 PLAN DETAIL- MEETING ROOM FOLDING PARTITION

SCALE: 3/4" = 1'-0"



1 ALTERNATE NO. 2- FOLDING GLASS PARTITION

SCALE: 3/4" = 1'-0"



CENTRAL MISSOURI PROFESSIONAL SERVICES, INC.
 CIVIL ENGINEER MISSOURI STATE CERTIFICATE OF AUTHORITY # 001558
 SSC ENGINEERING, INC. MECHANICAL/ELECTRICAL/PLUMBING ENGINEER MISSOURI STATE CERTIFICATE OF AUTHORITY # 001244
 SSC ENGINEERING, INC. STRUCTURAL ENGINEER MISSOURI STATE CERTIFICATE OF AUTHORITY # 001244



Missouri State Certificate of Authority # 000143
 631 West Main Street
 Jefferson City, Missouri
 (573) 636-5000 phone

INTERIOR DETAILS

**MISSOURI SOYBEAN INNOVATION CENTER
 NEW OFFICE BUILDING**
 734 S. COUNTRY CLUB DRIVE
 JEFFERSON CITY, MISSOURI

PROJECT NO. 1613
 DATE: SEP. 12, 2018

A608