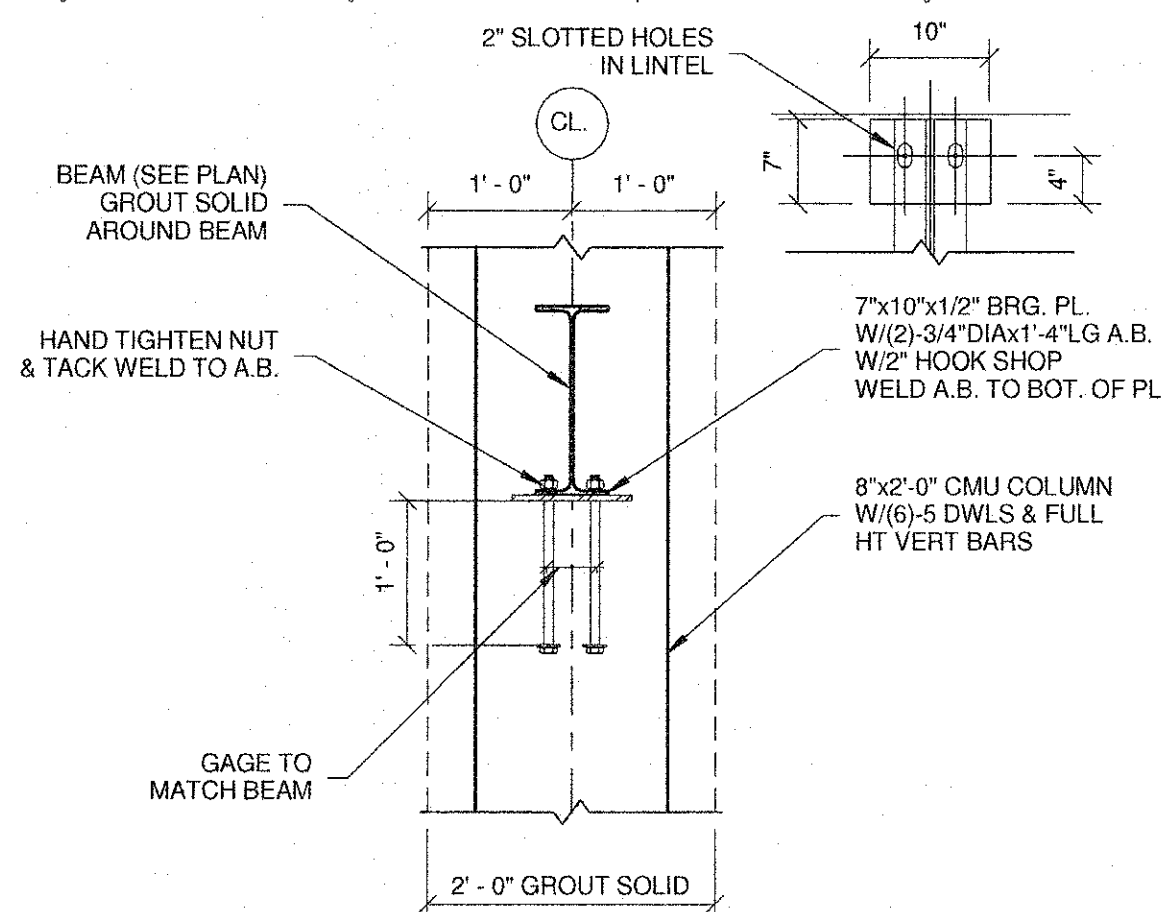
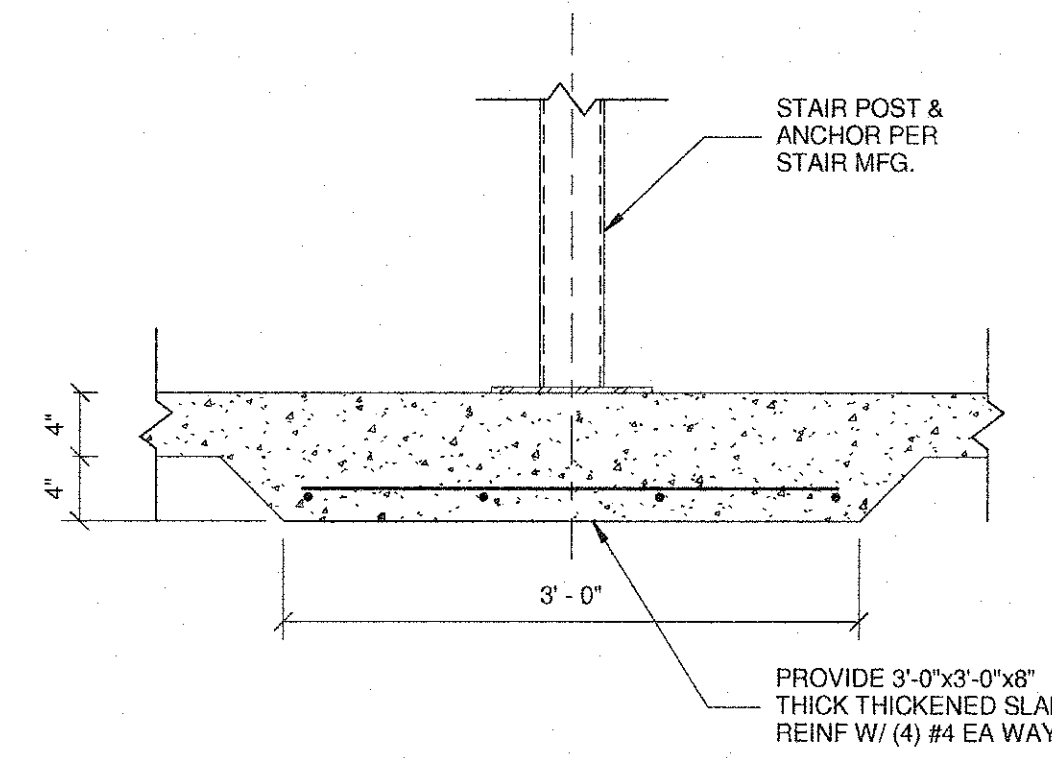


NOTE: @ LOCATIONS WITHOUT CONTROL JOINTS PROVIDE ADDITIONAL JOINT REINF. @ FIRST 2 COURSES ABOVE LINTEL. EXTEND A MINIMUM OF 2'-0" BEYOND OPENING

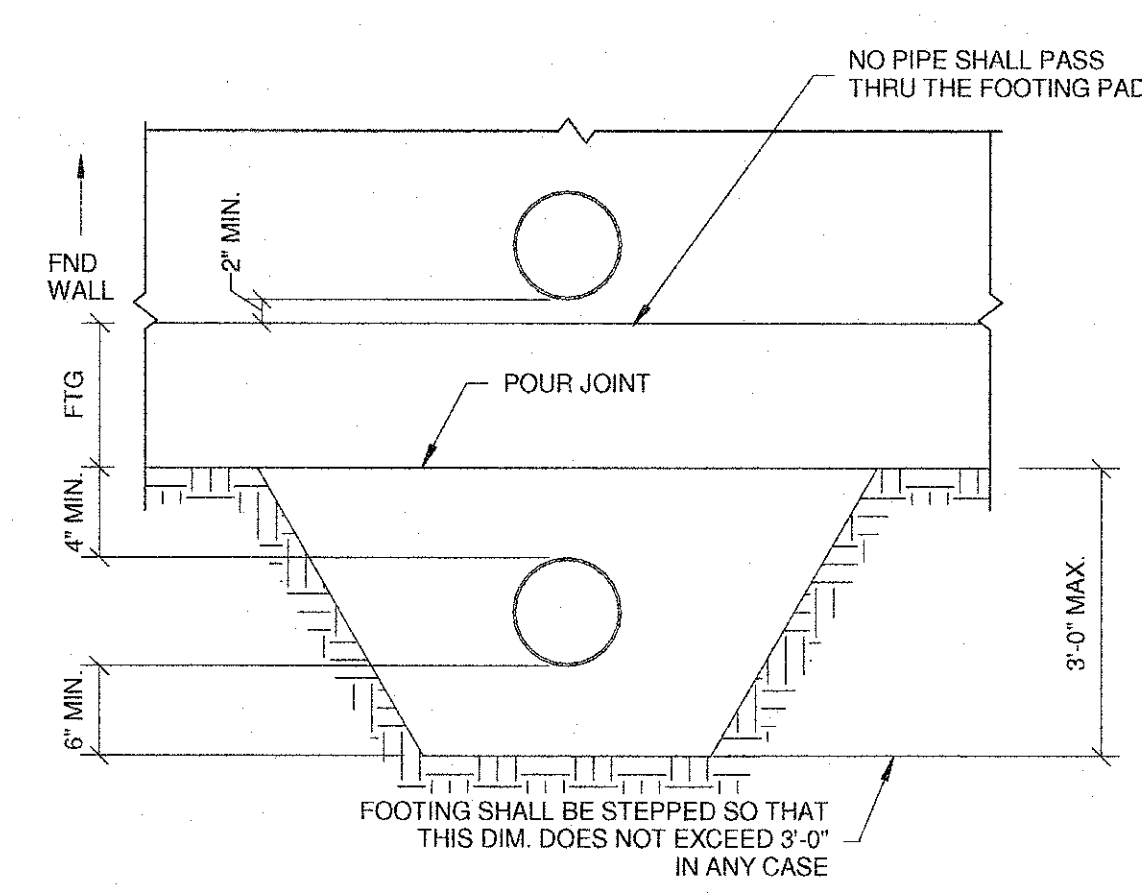
20 TYPICAL CMU BOND BEAM LINTEL



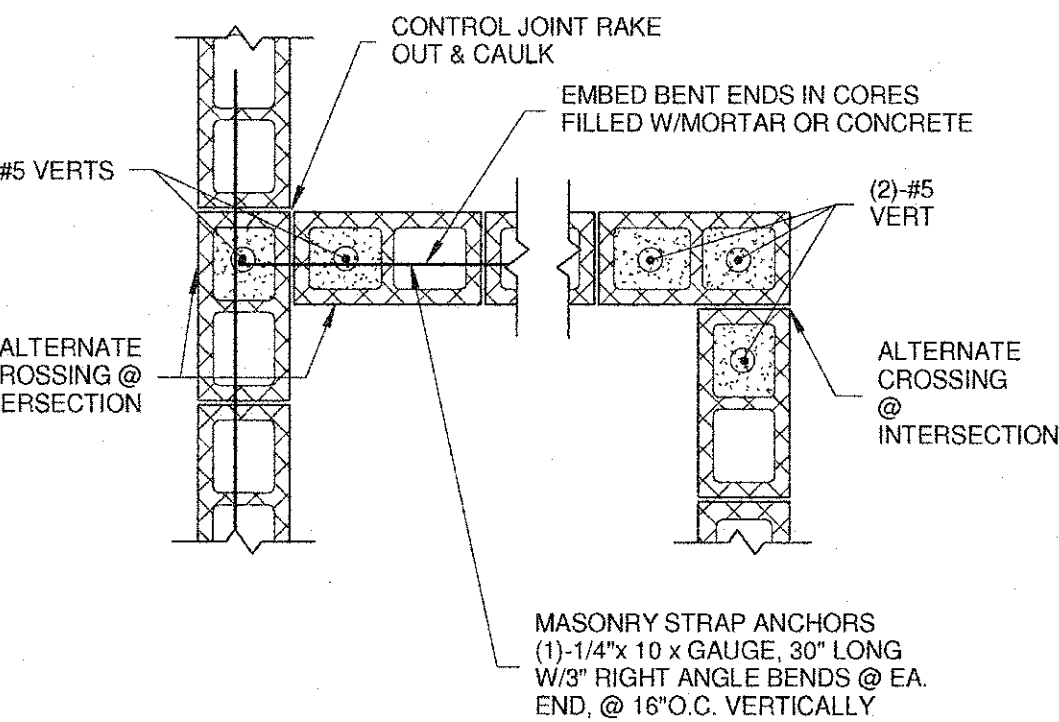
16 TYPICAL DETAIL @ BEAM BEARING PERPENDICULAR TO 8" CMU WALL



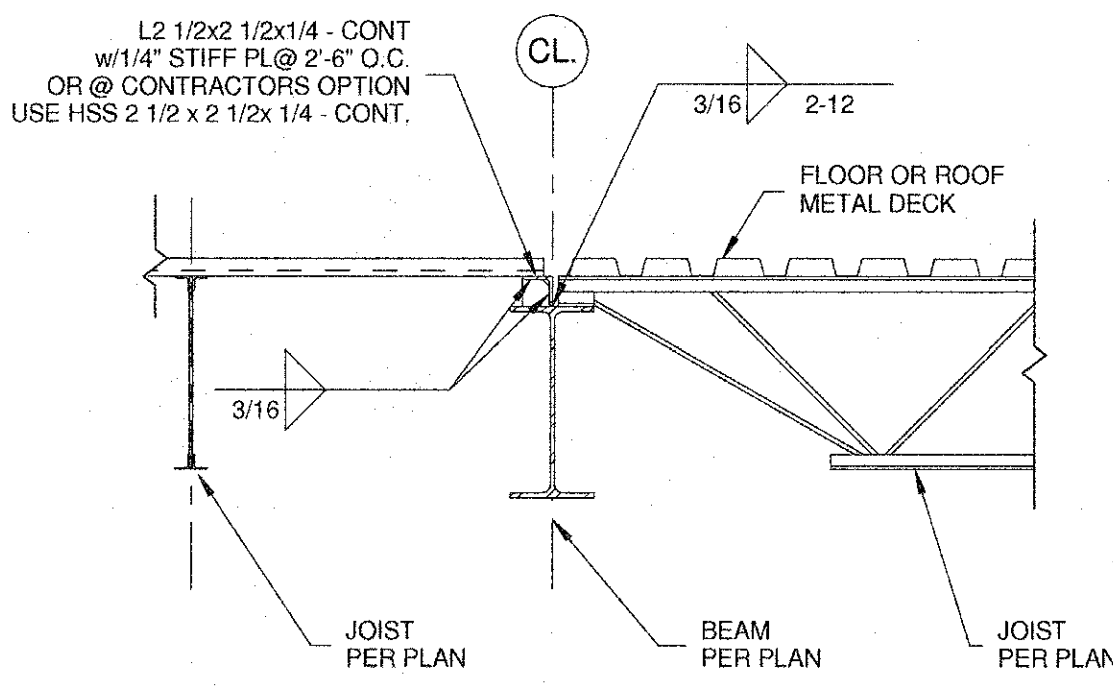
12 THICKENED SLAB @ STAIR POST DETAIL



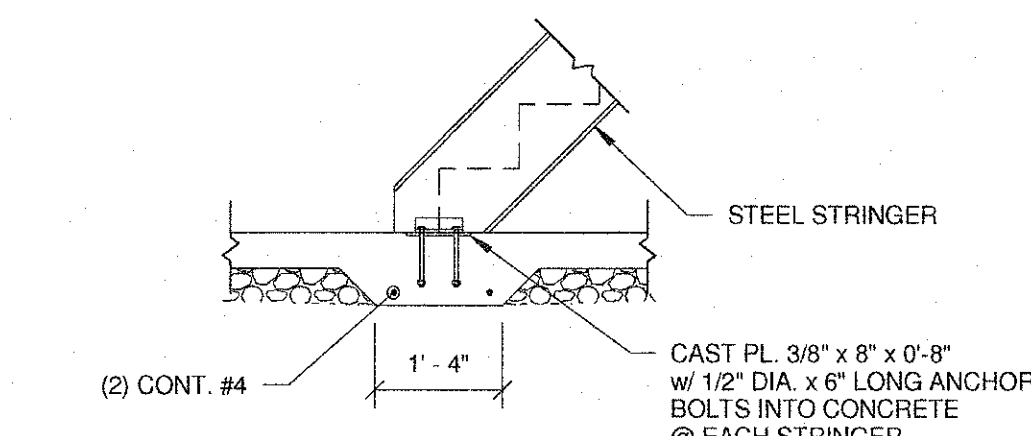
4 TYPICAL CONCRETE CORNER BAR DETAILS



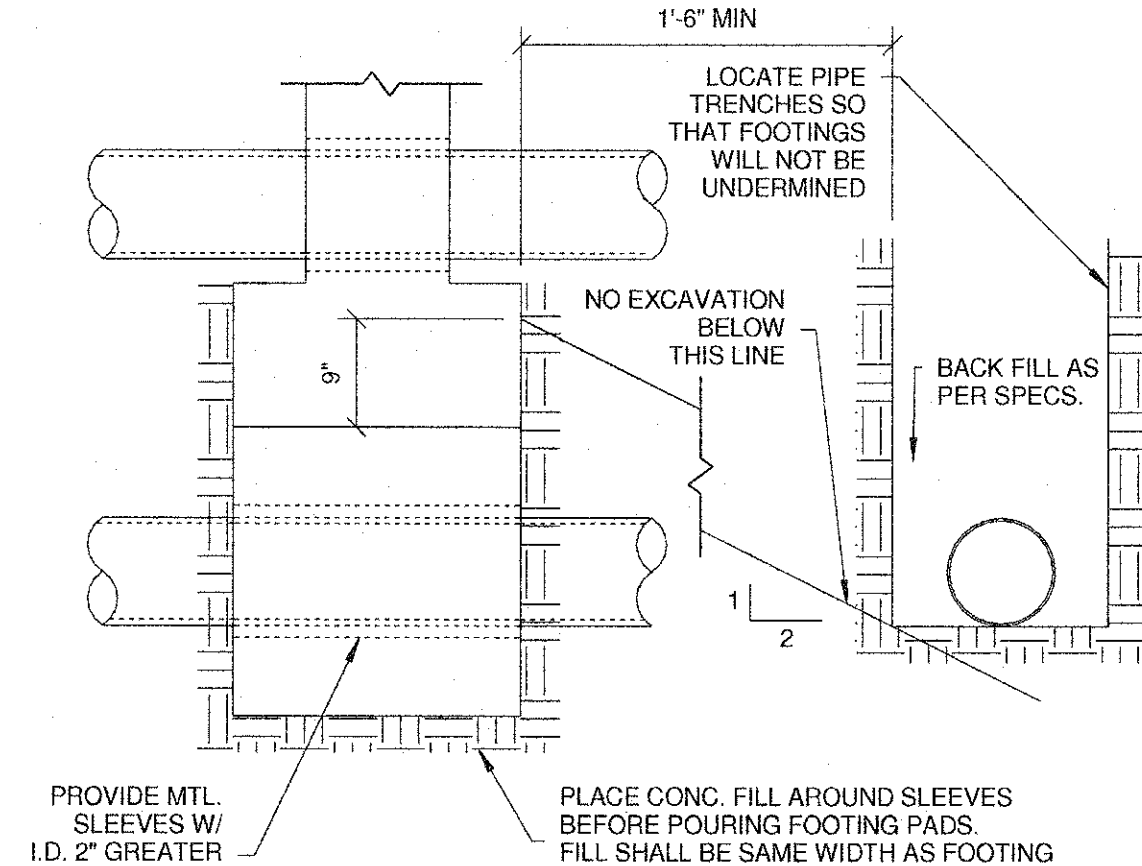
19 TYPICAL CMU WALL CORNER AND INTERSECTION DETAIL



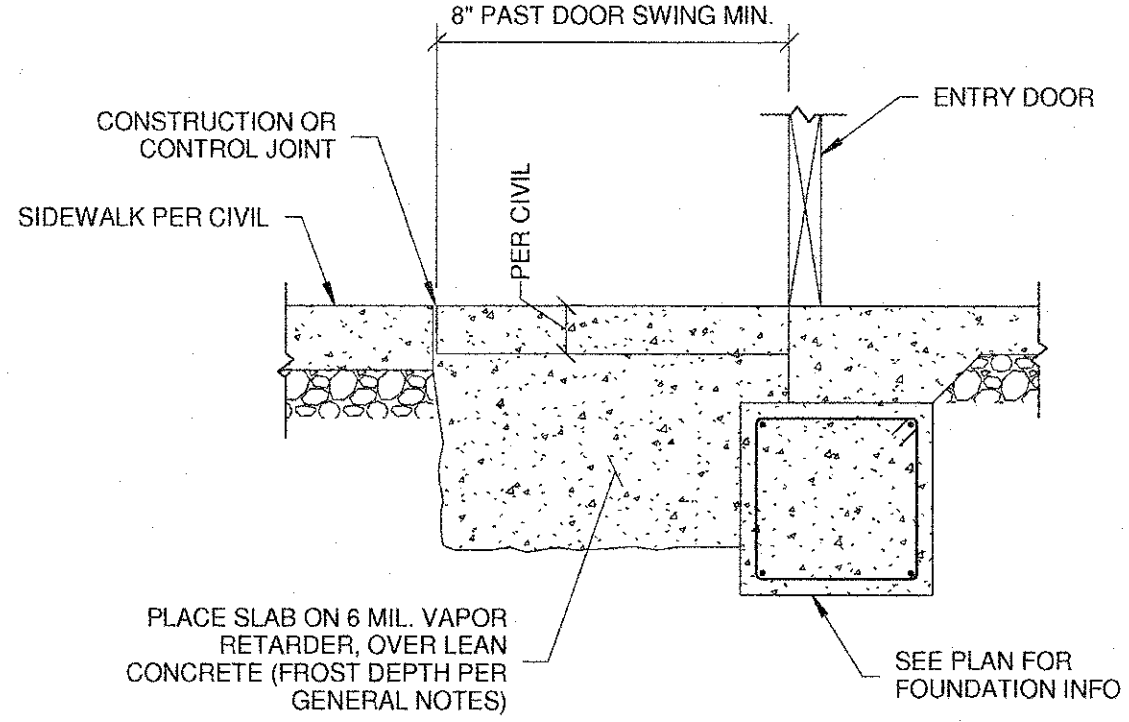
15 TYPICAL CHANGE IN DECK DIRECTION @ JOIST DETAIL



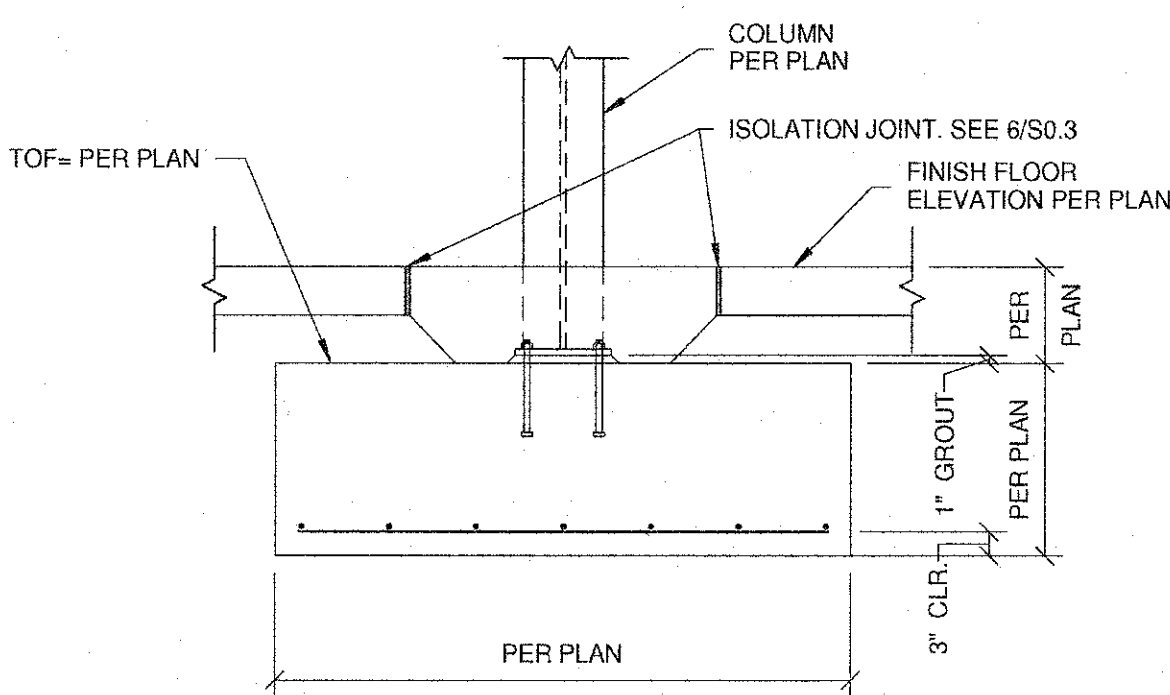
11 TYPICAL STL. STRINGER ON SLAB ON GRADE



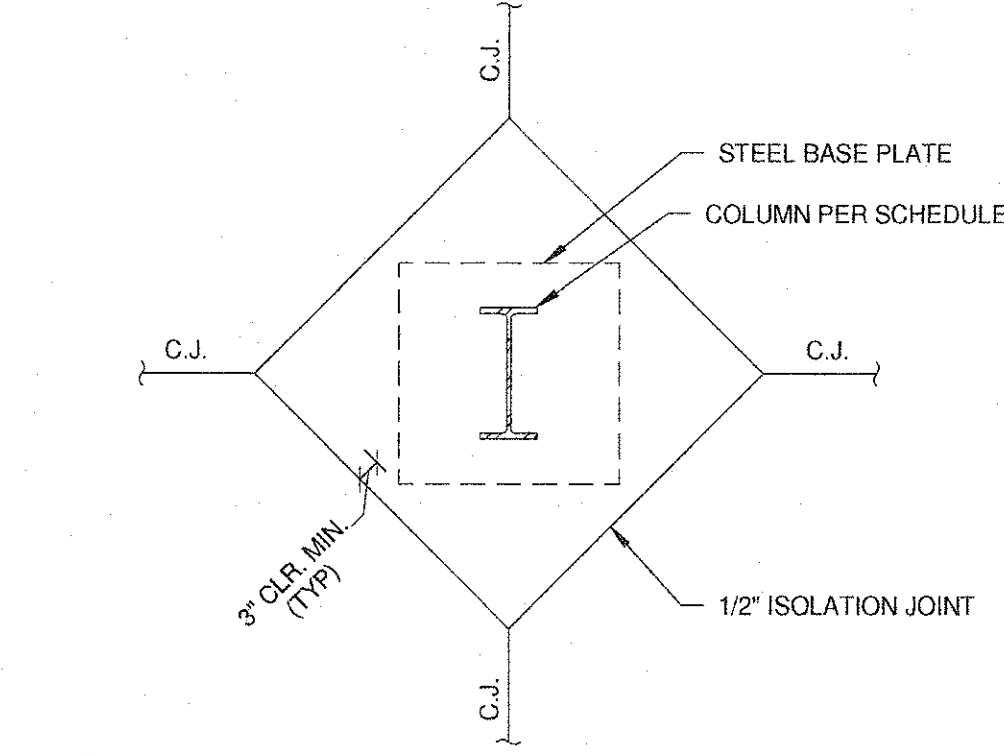
7 TYPICAL PIPE TRENCH FOOTING DETAIL



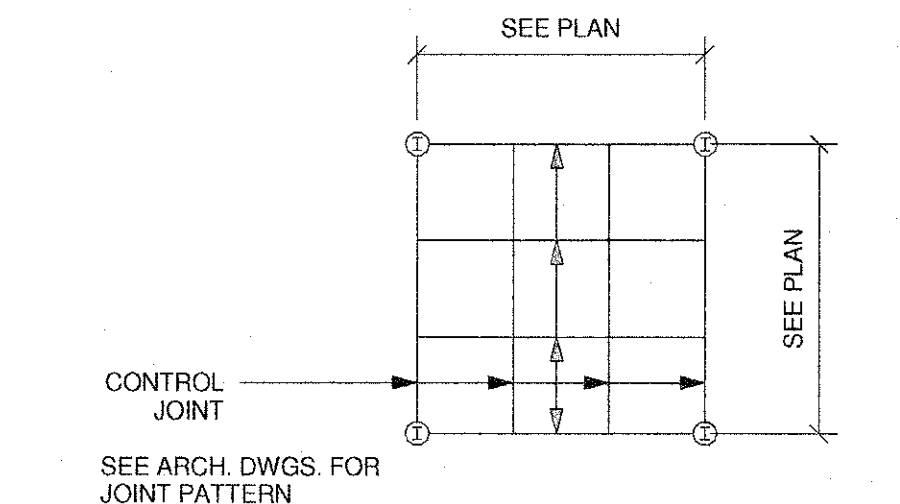
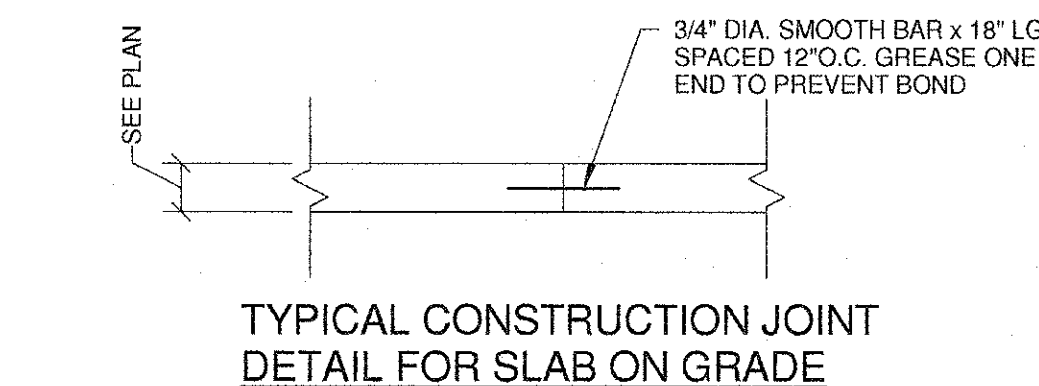
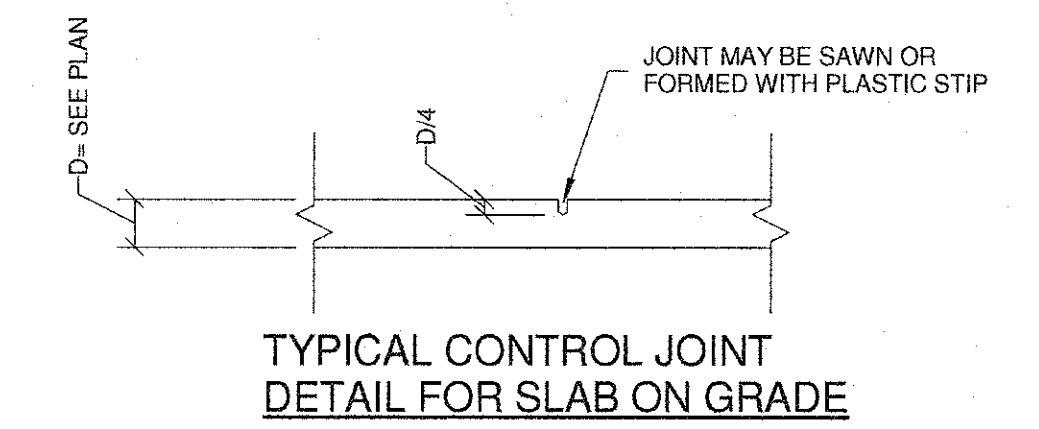
3 TYPICAL ENTRY DETAIL FOR SLAB FROST HEAVE PREVENTION



10 TYPICAL DETAIL OF INTERIOR W-FLANGE COLUMN AT SPREAD FOOTING



6 TYPICAL ISOLATION JOINT DETAIL @ WF

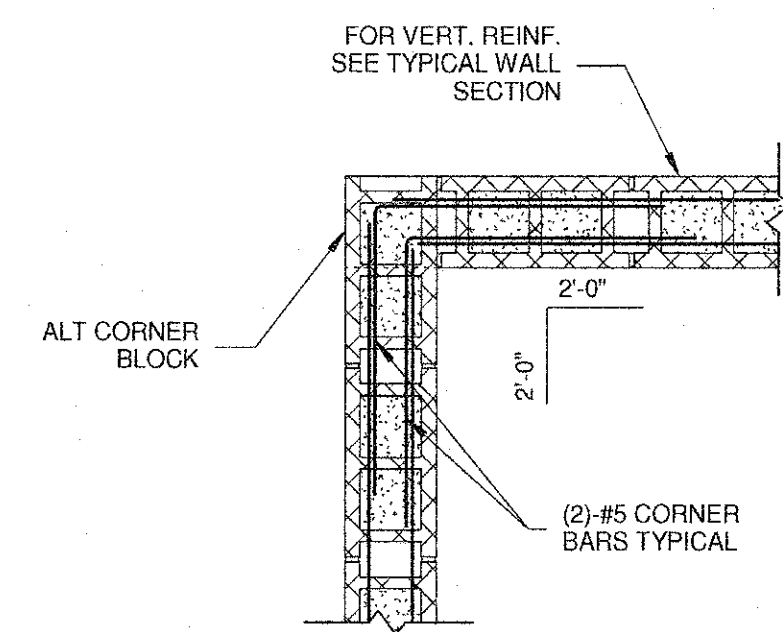


5 TYPICAL ISOLATION JOINT DETAIL @ HSS

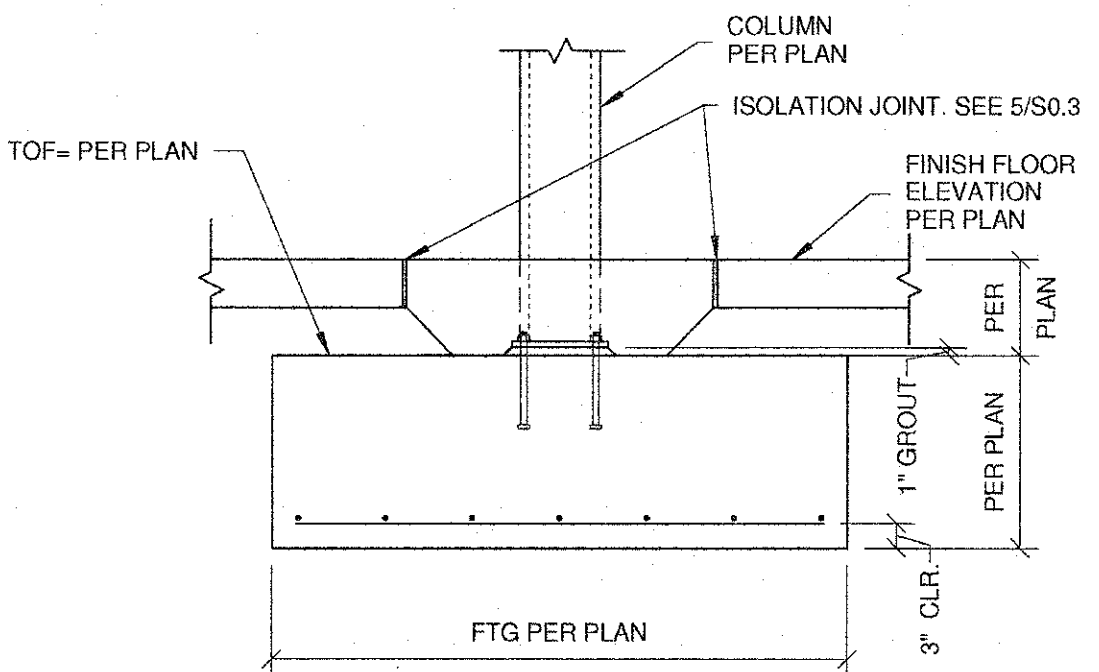
NOTES:
1. CONSTRUCTION AND/OR CONTROL JOINTS ARE INTERCHANGEABLE AT THE CONTRACTOR'S OPTION. SEE PLANS FOR JOINT LOCATIONS.
2. SAW CUTTING OF JOINTS SHALL BE DONE AS THE CONCRETE SETS SUFFICIENTLY TO PERMIT CUTTING WITHOUT CHIPPING, SPALLING OR TEARING, BUT NOT MORE THAN 24 HOURS AFTER PLACING.
3. ACI RECOMMENDATION: PLACE SLABS IN LONG RECTANGULAR STRIPS IN ALTERNATE PANELS. WIDTH OF STRIPS TO BE 12'-0" TO 15'-0".

TYPICAL SLAB CONTROL AND CONSTRUCTION JOINT DETAIL

1 TYPICAL SLAB ON GRADE DETAILS

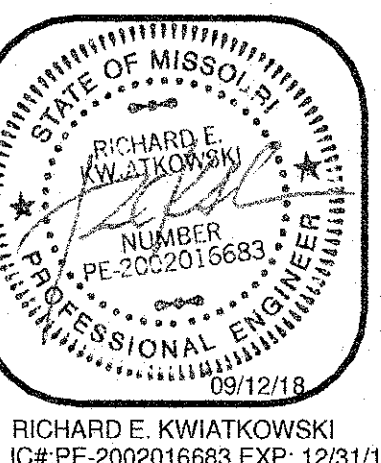


17 TYPICAL CMU BOND BEAM CORNER BARS



9 TYPICAL DETAIL OF INTERIOR HSS COLUMN AT SPREAD FOOTING

The Seal and Signature apply only to the Document to which they are Affixed, and Electronic Documents may be used for any other Documents or Instruments relating to or intended to be used for any other or parts of the Copyright © 2018 by SSC Engineering, Inc.



RICHARD E. KWIAWKOWSKI
MO LIC# PE-2002016683 EXP: 12/31/18
CENTRAL MISSOURI PROFESSIONAL SERVICES, INC.
MISSOURI STATE CERTIFICATE OF AUTHORITY #
SSC ENGINEERING, INC.
MECHANICAL/ELECTRICAL/PLUMBING ENGINEER
MISSOURI STATE CERTIFICATE OF AUTHORITY #001544
SSC ENGINEERING, INC.
STRUCTURAL ENGINEER
MISSOURI STATE CERTIFICATE OF AUTHORITY #001244

The Architects Alliance inc.
Missouri State Certificate of Authority # 000143
631 West Main Street
Jefferson City, Missouri
(573) 636-5000 phone

STRUCTURAL TYPICAL DETAILS

MISSOURI SOYBEAN INNOVATION CENTER
NEW OFFICE BUILDING
734 S. COUNTRY CLUB DRIVE
JEFFERSON CITY, MISSOURI

PROJECT NO. 1613
DATE: SEPT. 12, 2018

S0.3

2017349 - BID/PERMIT SET - 09-12-18