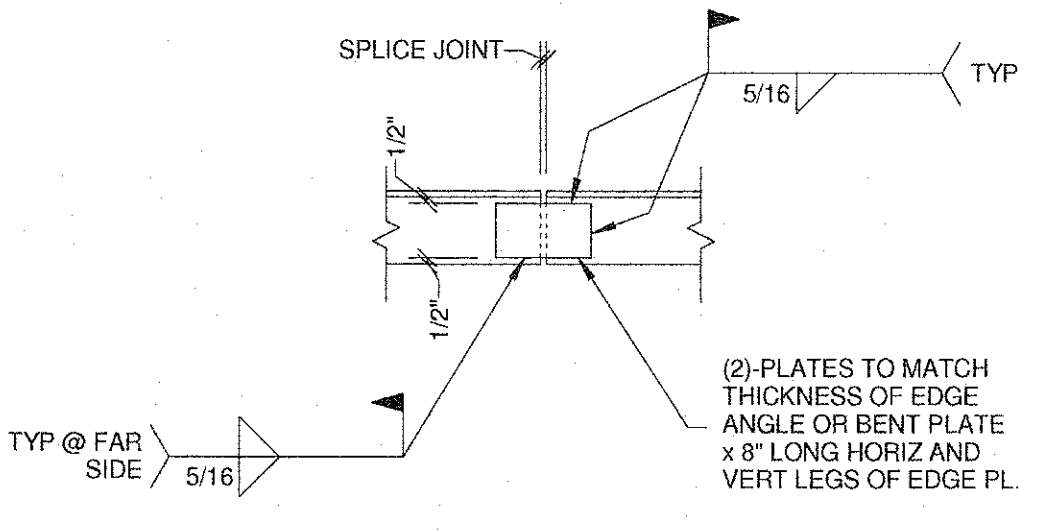


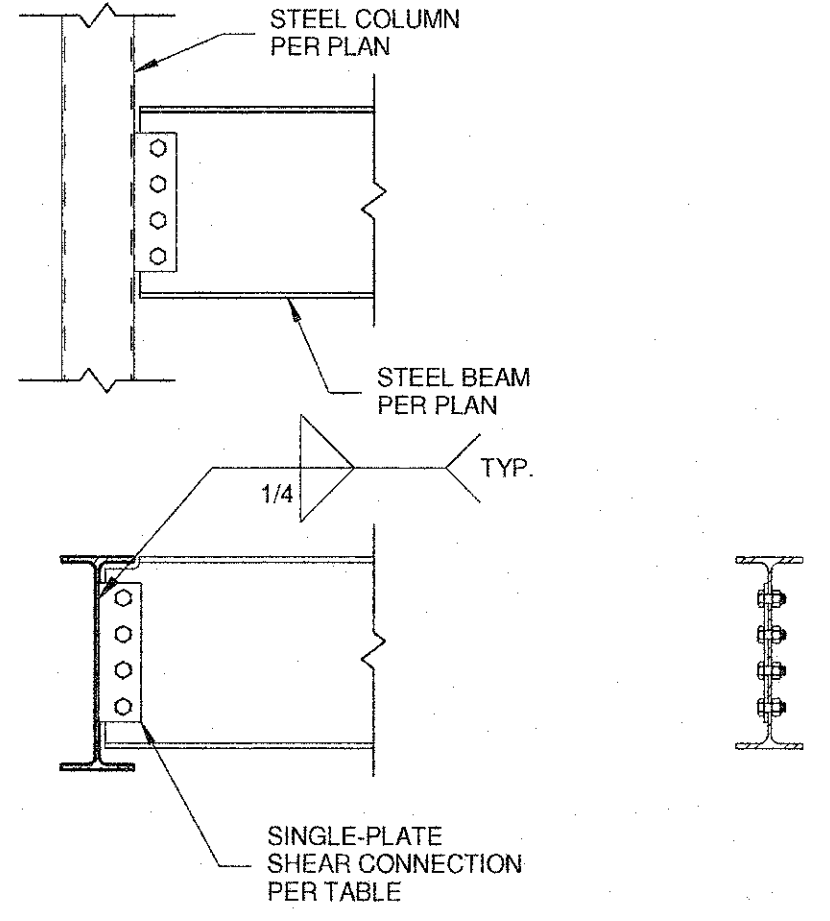
STEEL SUPPORT FRAMING	FASTENER TYPE
STRUCTURAL STEEL SUBSTRATE THICKNESS 0.125\"/>	

NOTES:
1. FOR STRUCTURAL STEEL THICKNESS BETWEEN 25\"/>

15 TYPICAL ROOF DECK MECHANICAL FASTENER ATTACHMENT TO JOIST (U.N.O.)
SCALE: 3/4\"/>



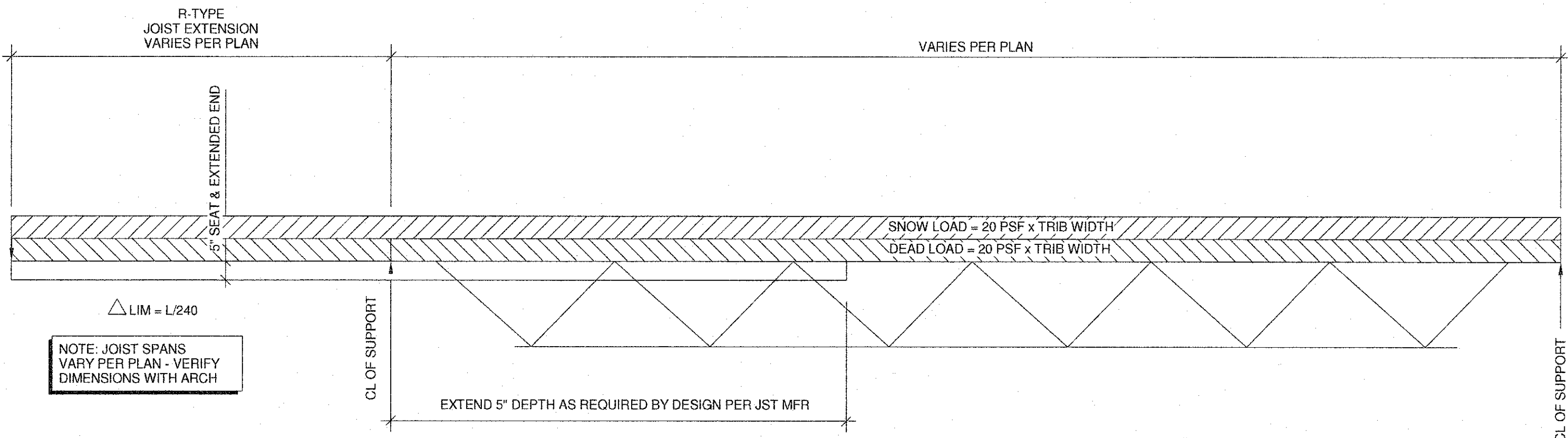
8 TYPICAL EDGE ANGLE SPLICE DETAIL
SCALE: 3/4\"/>



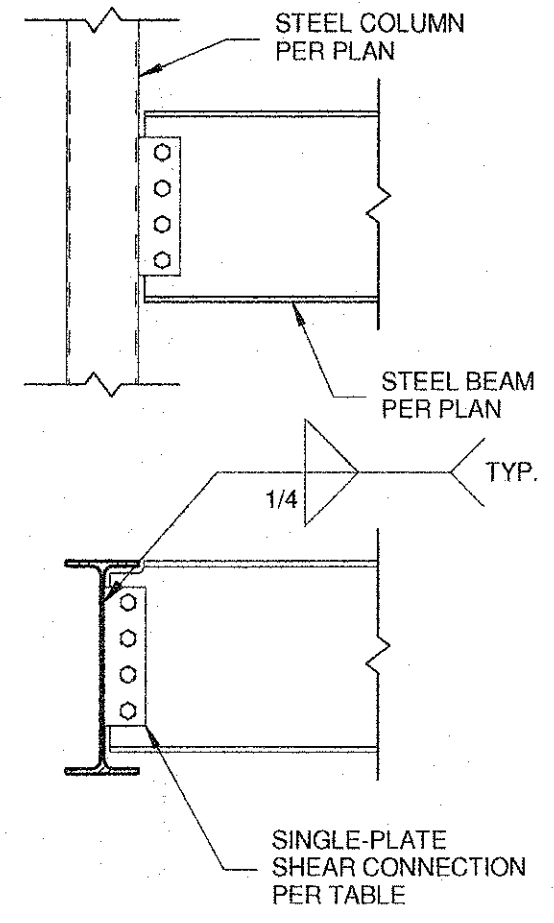
BEAM SIZE	5/16\"/>
W12, 10, 8	5 1/2\"/>
W16, 14, 12	8 1/2\"/>
W21, 18, 16	11 1/2\"/>
W24, 21, 18	14 1/2\"/>
W30, 27, 24	17 1/2\"/>
W33, 30, 27	20 1/2\"/>
W36, 33, 30	23 1/2\"/>

NOTES:
1. ADAPTED FROM TABLE 10-9a, AISC STEEL CONSTRUCTION MANUAL, THIRTEENTH EDITION.
2. ONLY A SINGLE VERTICAL ROW OF BOLTS IS PERMITTED.
3. THE DISTANCE FROM THE BOLT LINE TO THE WELD LINE, MUST BE EQUAL TO OR LESS THAN 3 1/2\"/>

3 TYPICAL SINGLE-PLATE SHEAR CONNECTIONS
SCALE: 3/4\"/>



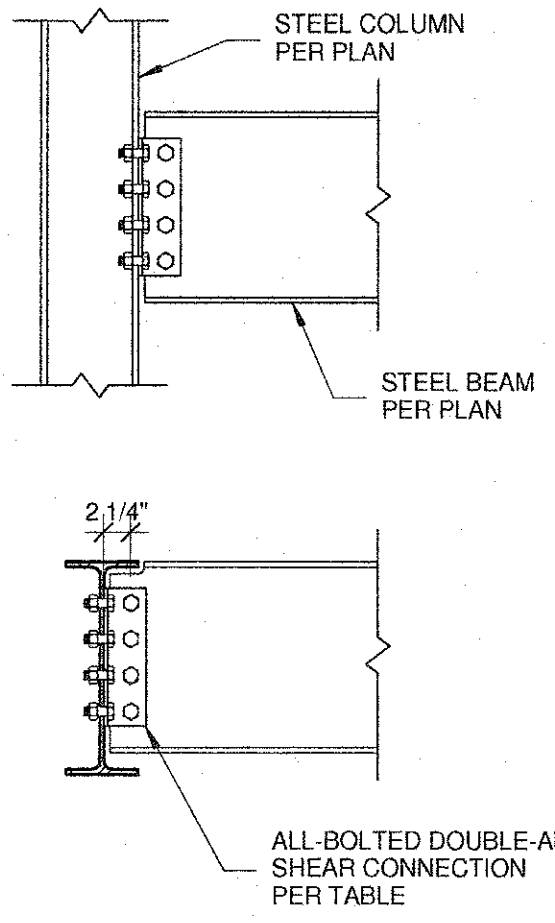
15 TYPICAL 14K1SP JOIST LOADING DIAGRAM
SCALE: 3/4\"/>



BEAM SIZE	5/16\"/>
W12, 10, 8	5 1/2\"/>
W16, 14, 12	8 1/2\"/>
W21, 18, 16	11 1/2\"/>
W24, 21, 18	14 1/2\"/>
W30, 27, 24	17 1/2\"/>
W33, 30, 27	20 1/2\"/>
W36, 33, 30	23 1/2\"/>

NOTES:
1. ADAPTED FROM TABLE 10-9a, AISC STEEL CONSTRUCTION MANUAL, THIRTEENTH EDITION.
2. ONLY A SINGLE VERTICAL ROW OF BOLTS IS PERMITTED.
3. THE DISTANCE FROM THE BOLT LINE TO THE WELD LINE, MUST BE EQUAL TO OR LESS THAN 3 1/2\"/>

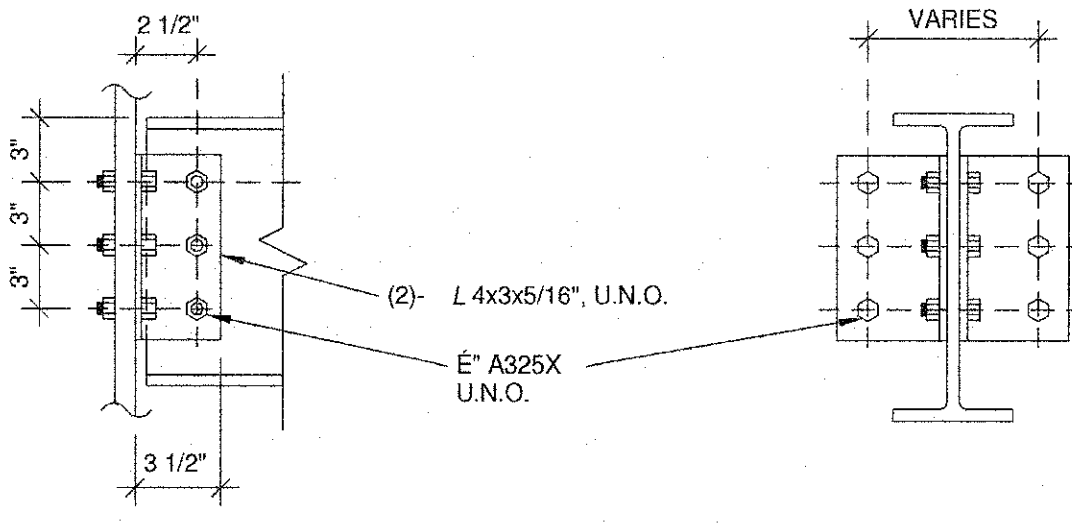
13 TYPICAL SHEAR CONNECTION DETAIL
SCALE: 3/4\"/>



BEAM SIZE	5/16\"/>
W12, 10, 8	5 1/2\"/>
W16, 14, 12	8 1/2\"/>
W21, 18, 16	11 1/2\"/>
W24, 21, 18	14 1/2\"/>
W30, 27, 24	17 1/2\"/>
W33, 30, 27	20 1/2\"/>
W36, 33, 30	23 1/2\"/>

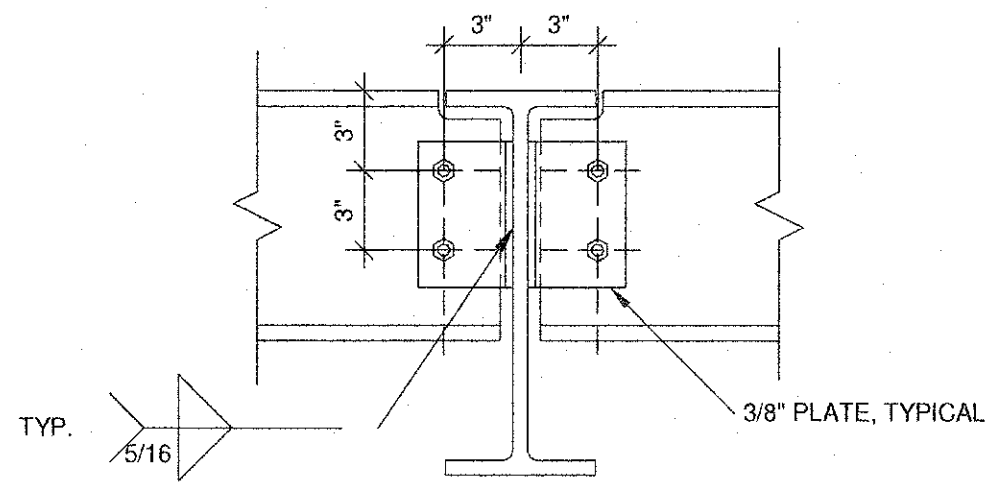
NOTES:
1. ADAPTED FROM TABLE 10-1, AISC STEEL CONSTRUCTION MANUAL, THIRTEENTH EDITION.
2. ALLOWABLE SHEAR STRENGTH OF BEAM WEB MUST BE CHECKED PER AISC TABLE 10-1. THE BEAM WEB MAY CONTROL THE CONNECTION CAPACITY. THIS TABLE MUST BE USED WITH CAUTION.
3. THE DISTANCE FROM THE BOLT LINE TO THE BEAM WEB MUST BE 2 1/4\"/>

5 TYPICAL BEAM TO BEAM ANGLE FRAMING CONNECTION

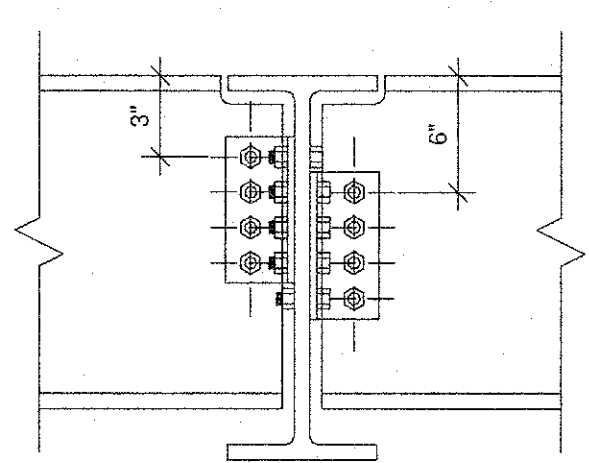


NOMINAL BEAM DEPTH, INCHES	ROWS OF BOLTS	LENGTH OF ANGLE	REMARKS
W36	7	1'-8 1/2\"/>	
W30-W33	7	1'-8 1/2\"/>	
W24-W27	5	1'-2 1/2\"/>	
W16-W21	4	11 1/2\"/>	
W14	3	8 1/2\"/>	
W12	2	5 1/2\"/>	
W8-W10	-	-	SEE SECTION A-A

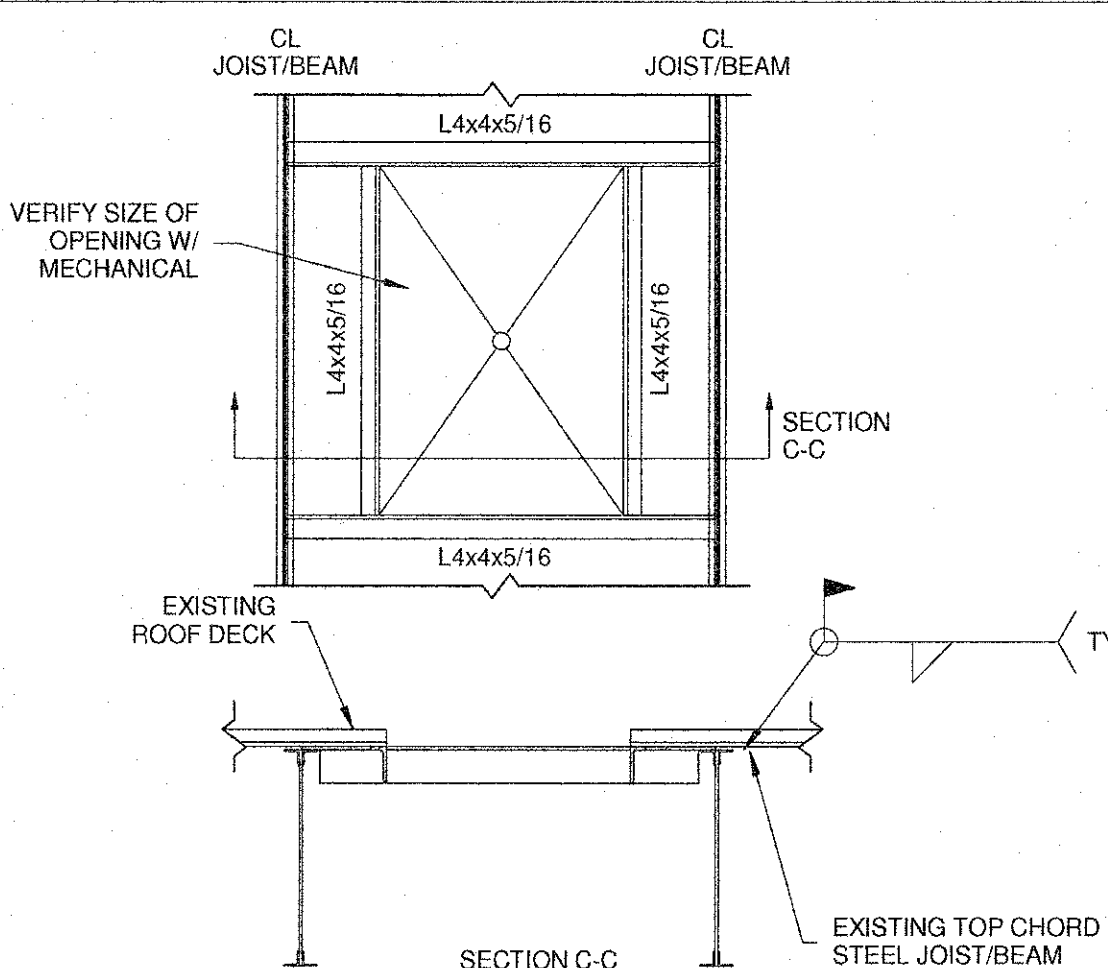
NOTES:
1. NUMBER OF ROWS IS EQUAL TO NUMBER OF BOLTS TO ENCLOSED WEB.
2. ALL FRAMING CONNECTIONS SHALL CONFORM TO SCHEDULE UNLESS DETAILED OTHERWISE ON FRAMING PLANS.
3. (1) ADDITIONAL BOLT PER ROW FOR CONNECTIONS AT 3/4\"/>



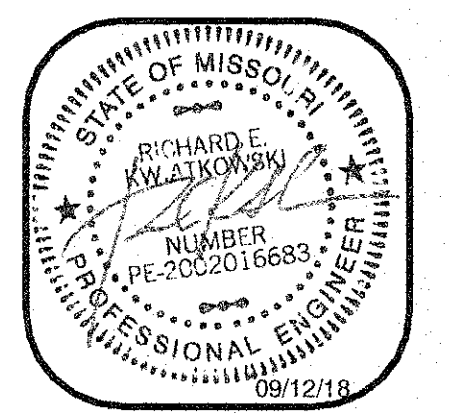
SINGLE-SHEAR PLATE CONNECTION, SECTION A-A
(BEAMS 10\"/>



DOUBLE ANGLE CONNECTION @ BACK TO BACK BEAMS
(BEAMS 12\"/>



17 TYPICAL OPENING IN METAL DECK



RICHARD E. KWIAWKOWSKI
M.O.L.I.C.#: PE-2002016683 EXP: 12/31/18

CENTRAL MISSOURI PROFESSIONAL SERVICES, INC.
MISSOURI STATE CERTIFICATE OF AUTHORITY #
SSC ENGINEERING, INC.
MECHANICAL/ELECTRICAL/PLUMBING ENGINEER
MISSOURI STATE CERTIFICATE OF AUTHORITY #001244
SSC ENGINEERING, INC.
MISSOURI STATE CERTIFICATE OF AUTHORITY #001244

The Architects Alliance inc.
Missouri State Certificate of Authority # 000143
631 West Main Street
Jefferson City, Missouri
(573) 636-5000 phone

STRUCTURAL TYPICAL DETAILS

MISSOURI SOYBEAN INNOVATION CENTER
NEW OFFICE BUILDING
734 S. COUNTRY CLUB DRIVE
JEFFERSON CITY, MISSOURI

PROJECT NO. 1613
DATE: SEPT. 12, 2018

S0.4

2017349 - BID/PERMIT SET - 09-12-18

This document contains the work product of the design team and is the property of the design team. It is not to be used for any other project without the written consent of the design team. Copyright © 2018 by SSC Engineering, Inc.