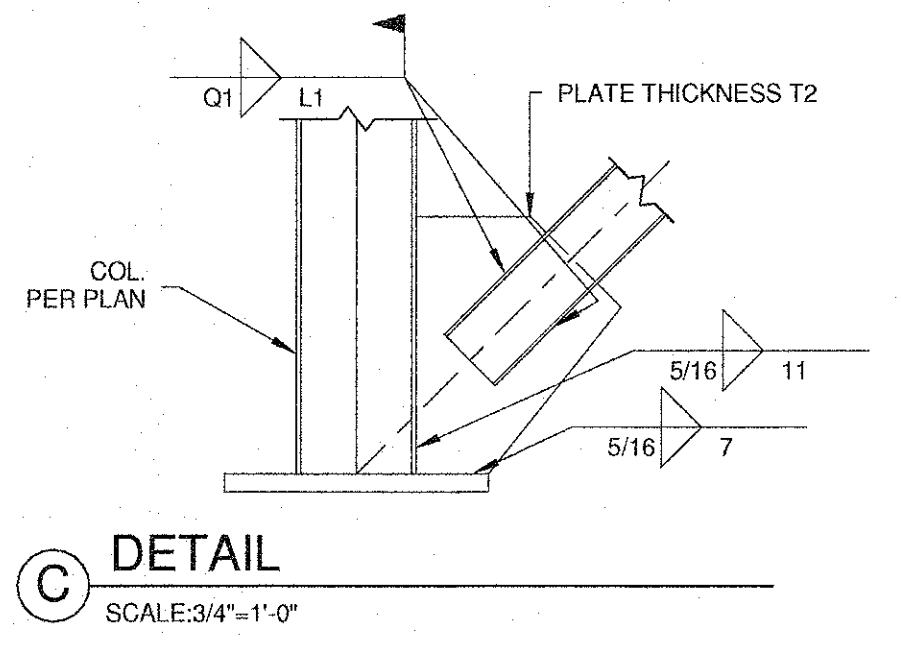
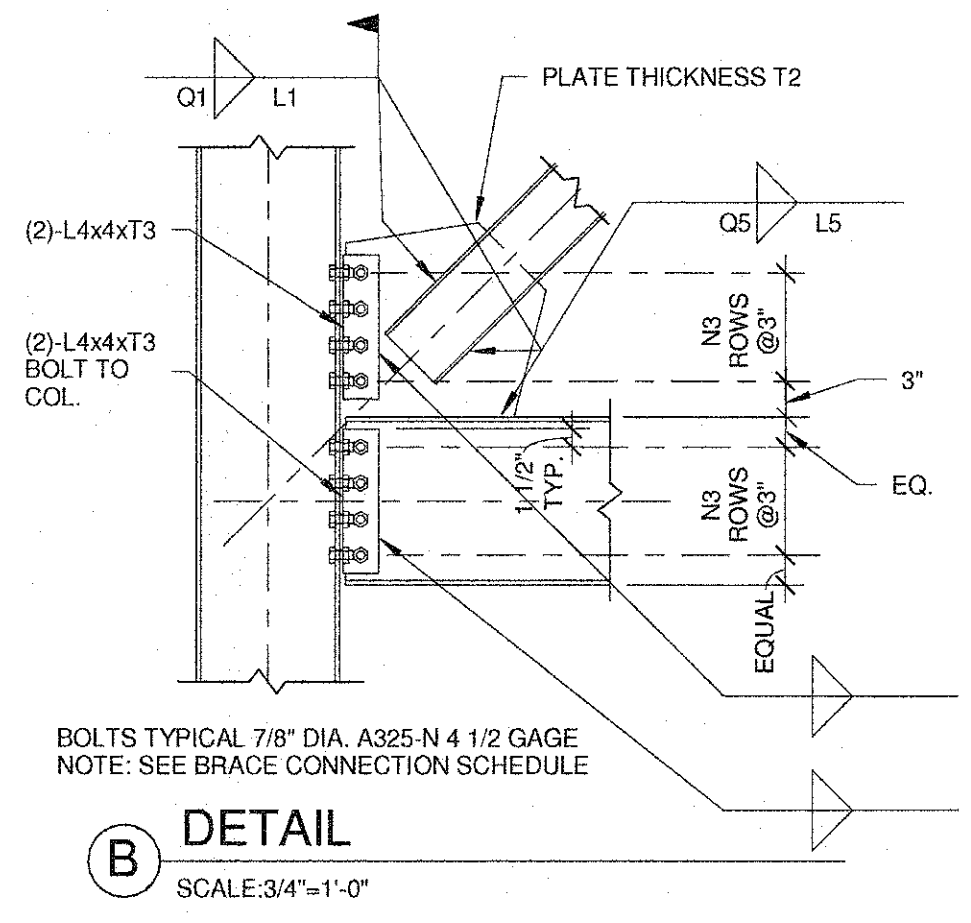
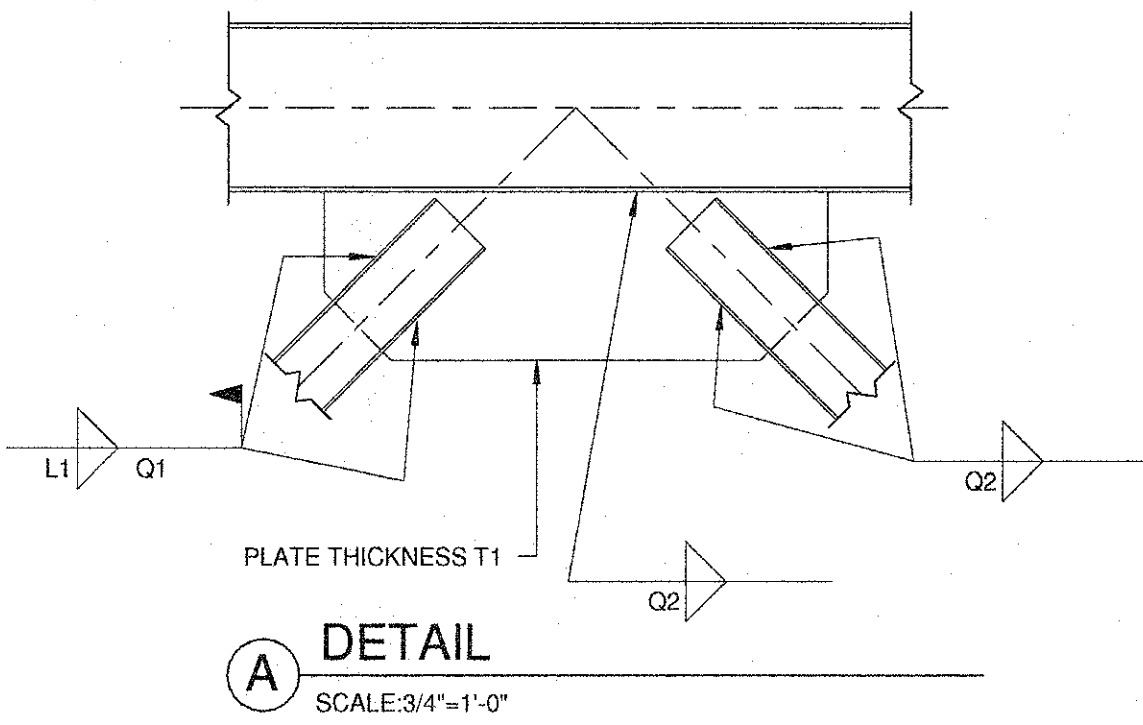
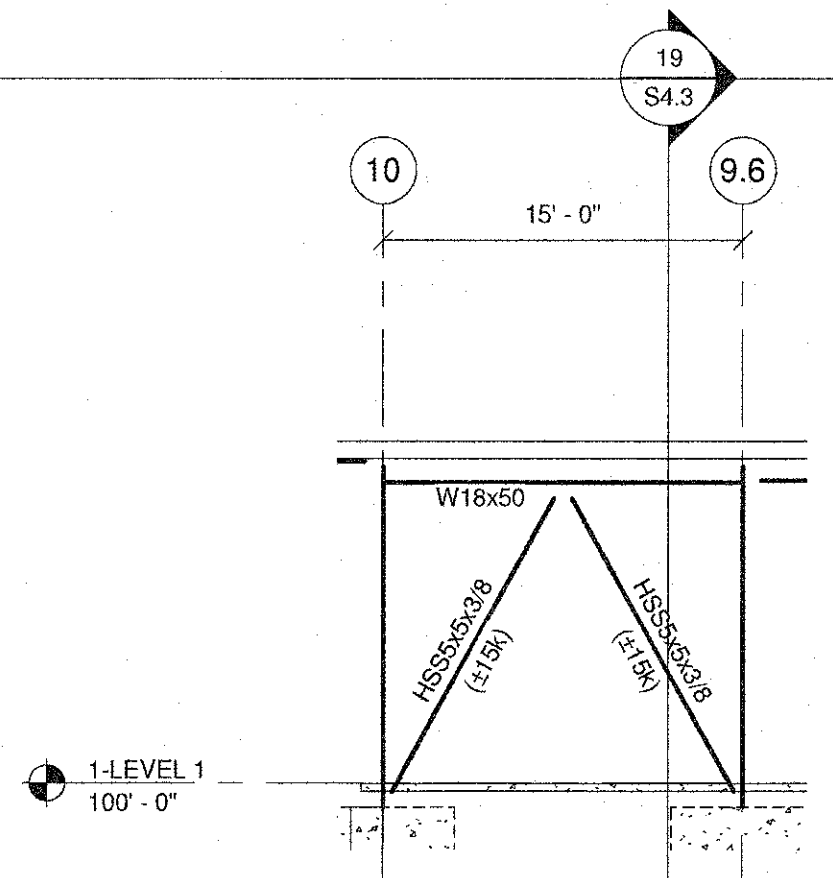


The Seal and Signature were used on the Document to
 certify that the Engineer is a duly Licensed Professional
 Engineer in the State of Missouri. The Engineer
 assumes no responsibility for any other Plans, Specifications, Estimates,
 or Reports prepared by or for the Architect or Engineer, or
 intended to be used for any other project or work of art.
 Architectural Engineering Project
 Copyright © 2018 by SSC Engineering, Inc.

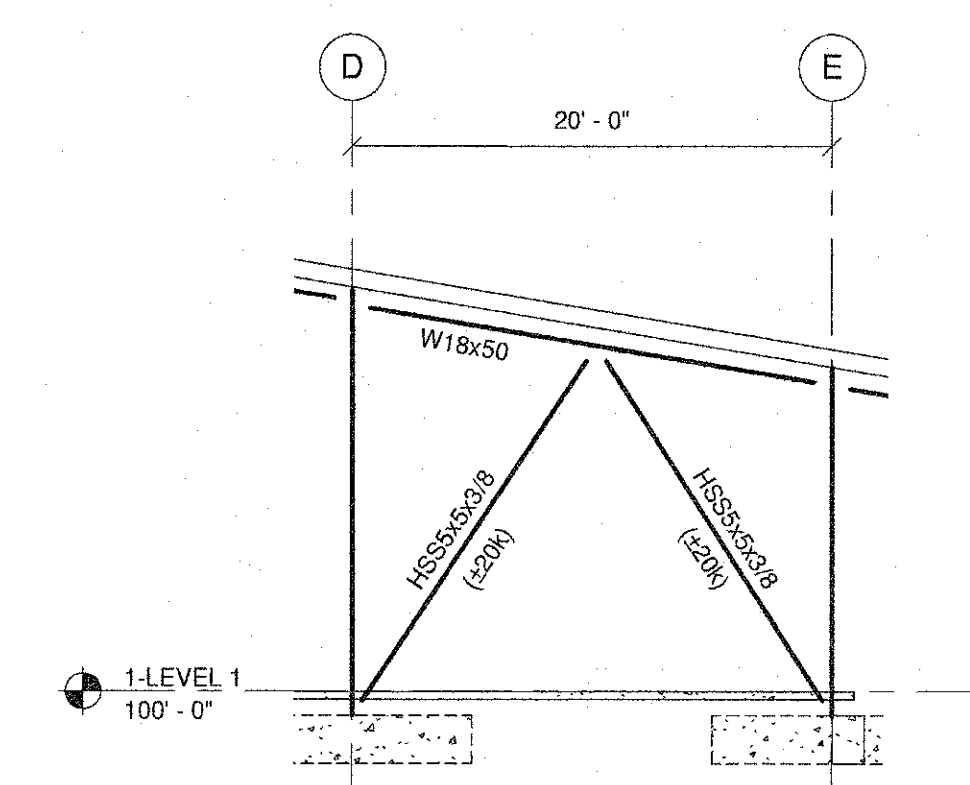
13 TYPICAL GUSSET PLATE DETAILS



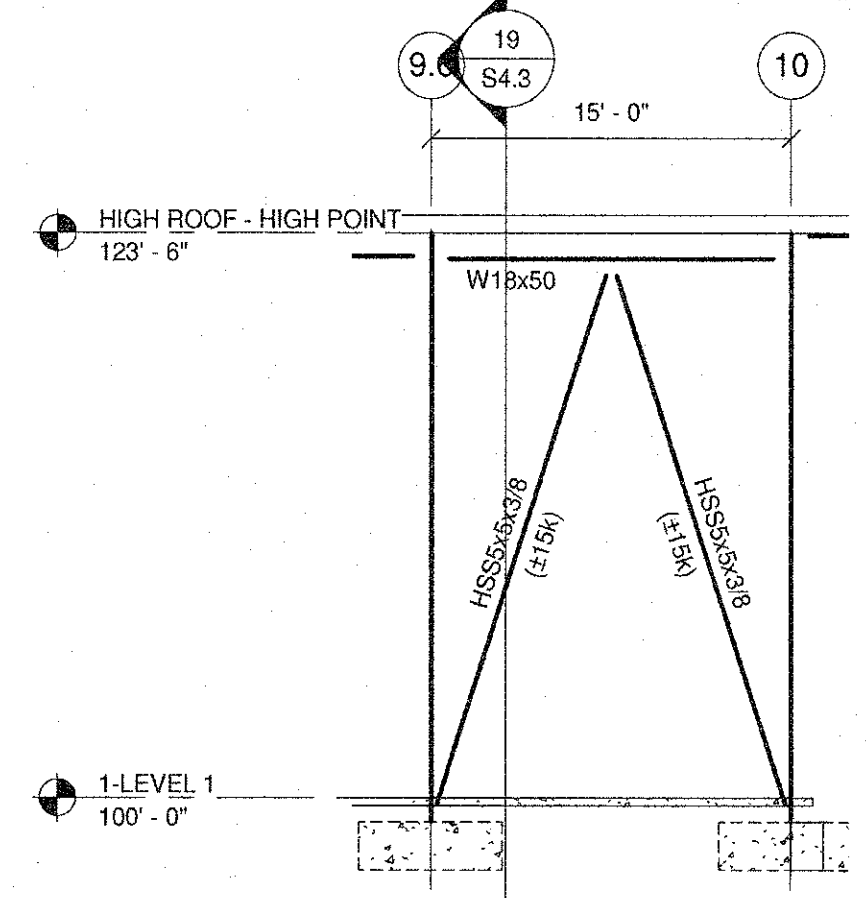
9 VB-9
SCALE: 1/8" = 1'-0"



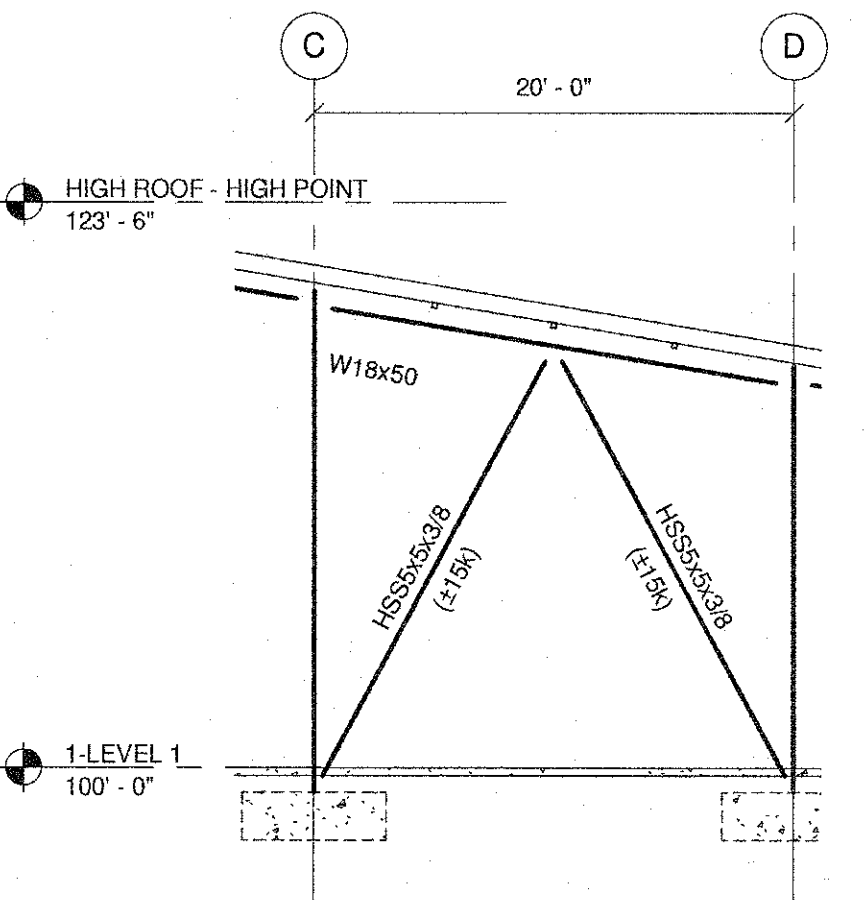
5 VB-5
SCALE: 1/8" = 1'-0"



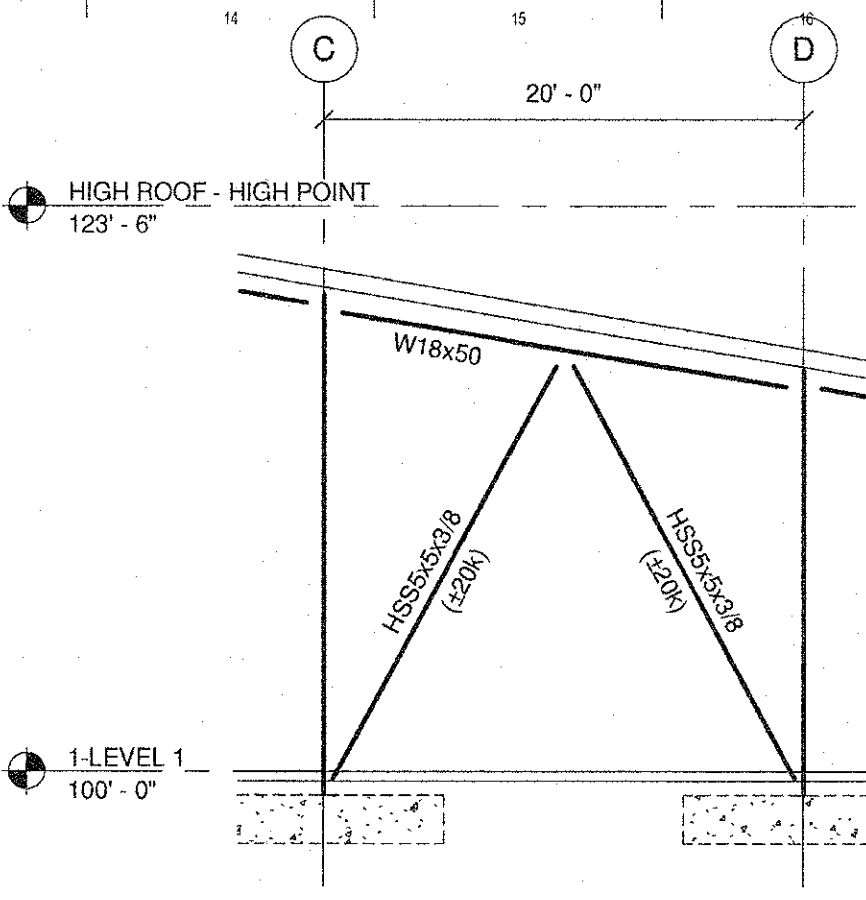
6 VB-6
SCALE: 1/8" = 1'-0"



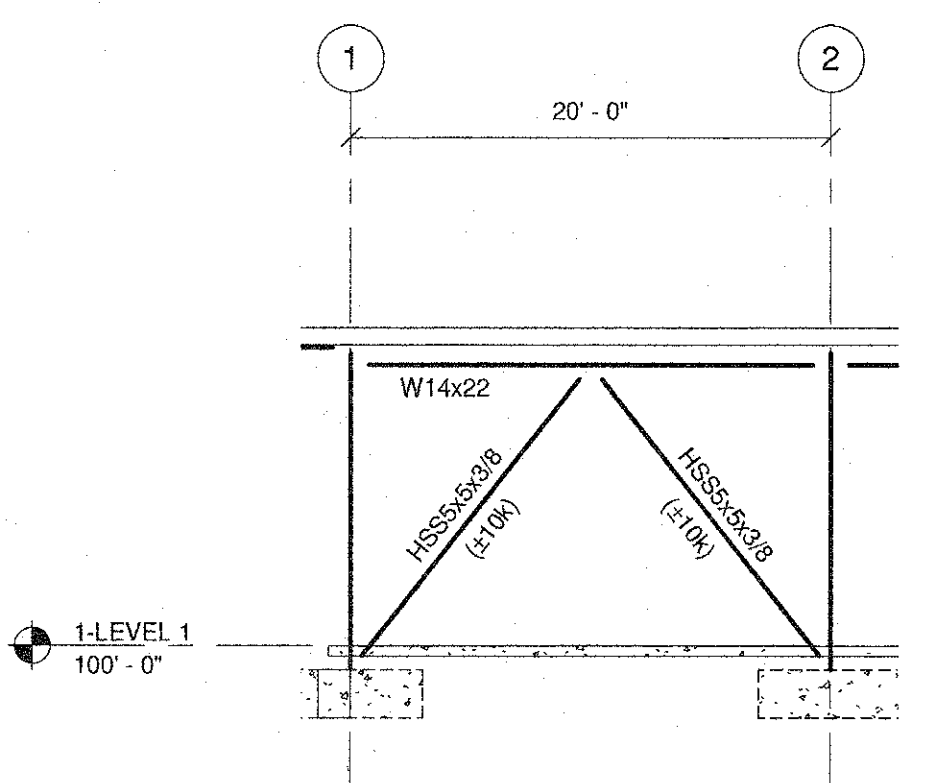
7 VB-7
SCALE: 1/8" = 1'-0"



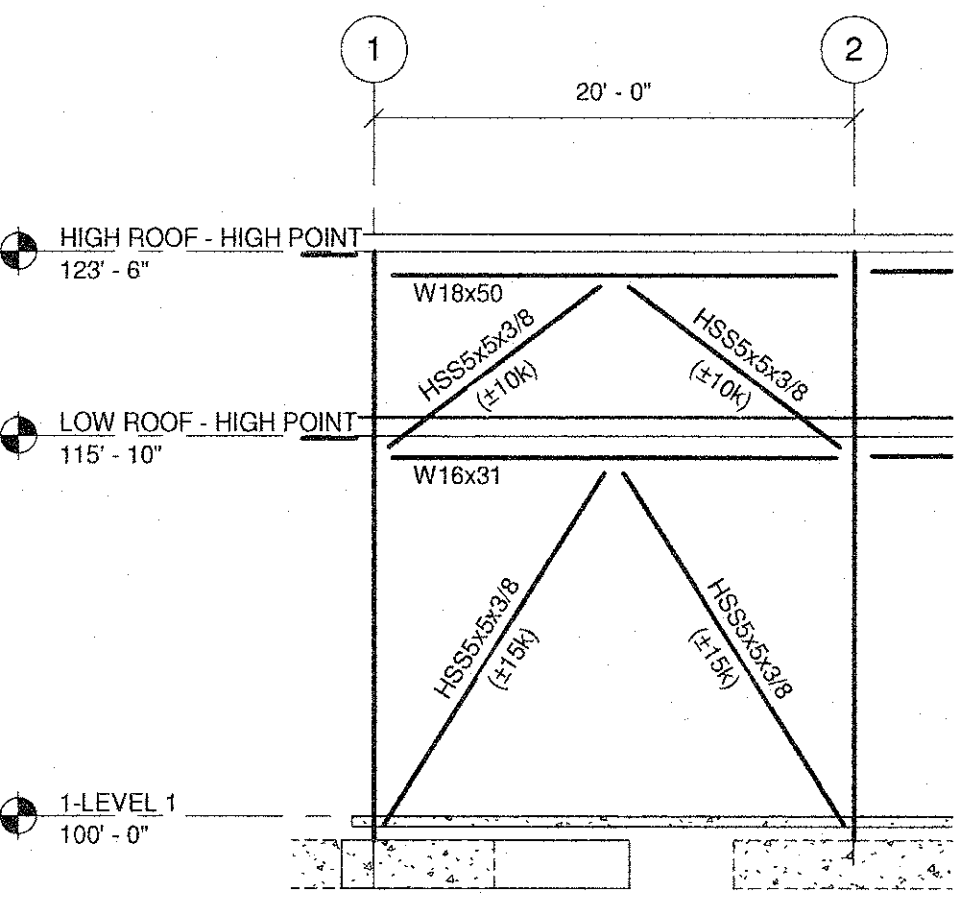
8 VB-8
SCALE: 1/8" = 1'-0"



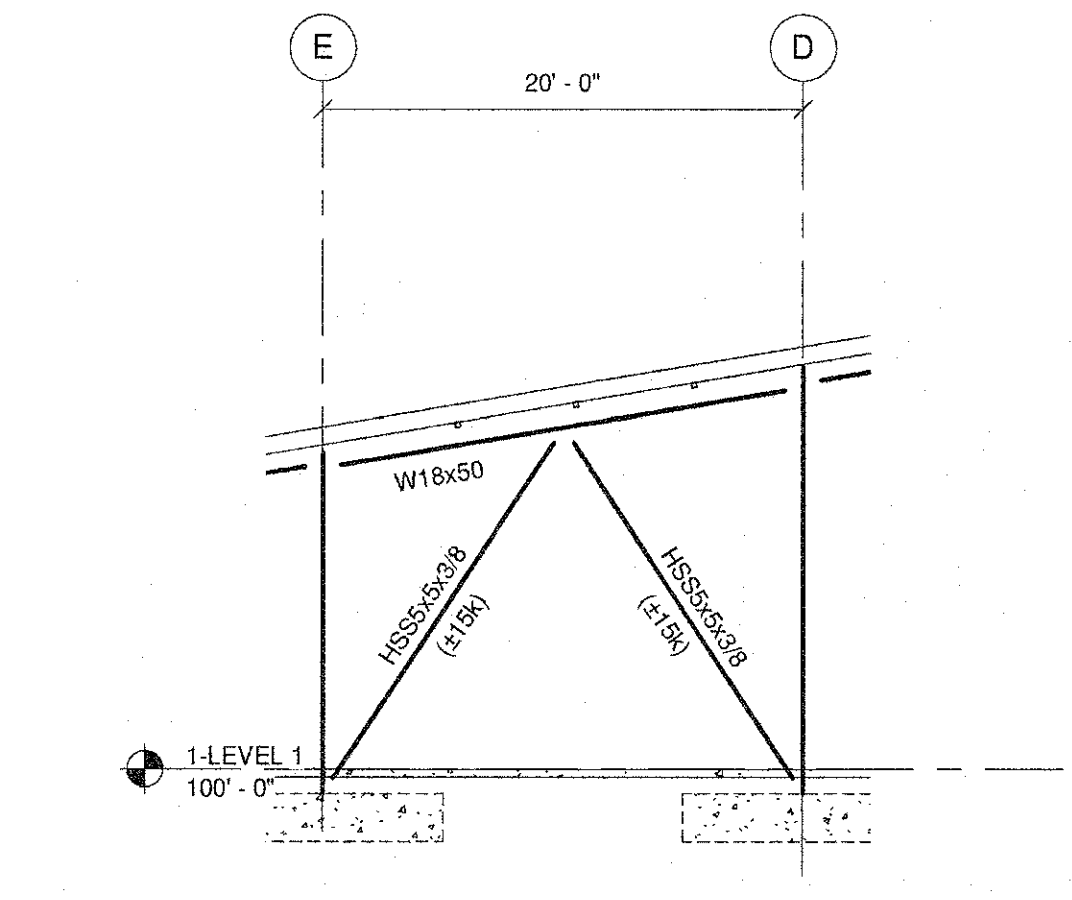
1 VB-1
SCALE: 1/8" = 1'-0"



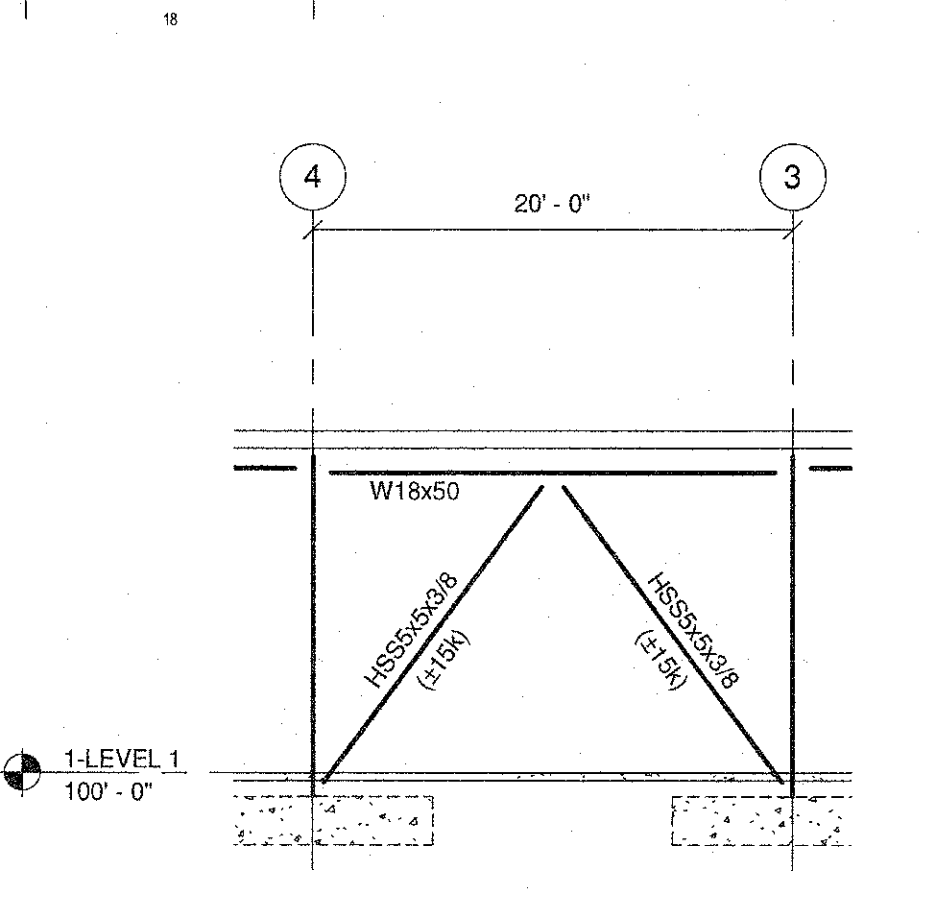
2 VB-2
SCALE: 1/8" = 1'-0"



3 VB-3
SCALE: 1/8" = 1'-0"



4 VB-4
SCALE: 1/8" = 1'-0"



2017349 - BID/PERMIT SET - 09-12-18

S2.2

PROJECT NO. 1613
DATE: SEPT. 12, 2018

**MISSOURI SOYBEAN INNOVATION CENTER
 NEW OFFICE BUILDING**
 734 S. COUNTRY CLUB DRIVE
 JEFFERSON CITY, MISSOURI

BRACE FRAME ELEVATIONS

The Architects Alliance inc.
 Missouri State Certificate of Authority # 000143
 631 West Main Street
 Jefferson City, Missouri
 (573) 636-5000 phone

CENTRAL MISSOURI PROFESSIONAL SERVICES, INC.
 MISSOURI STATE CERTIFICATE OF AUTHORITY #
 CIVIL ENGINEER
SSC ENGINEERS, INC.
 MISSOURI STATE CERTIFICATE OF AUTHORITY #001244
 MECHANICAL/ELECTRICAL/PLUMBING ENGINEER
SSC ENGINEERING, INC.
 MISSOURI STATE CERTIFICATE OF AUTHORITY #001244
 MECHANICAL ENGINEER

RICHARD E. KWIAKOWSKI
 MISSOURI STATE CERTIFICATE OF AUTHORITY #
 CIVIL ENGINEER
 NUMBER
 PE-2002016683
 PROFESSIONAL ENGINEER
 12/31/18