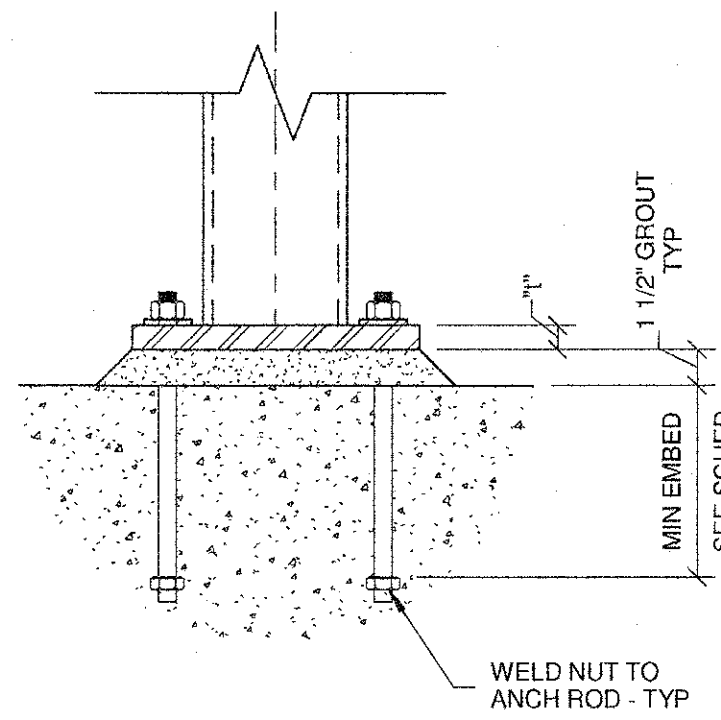


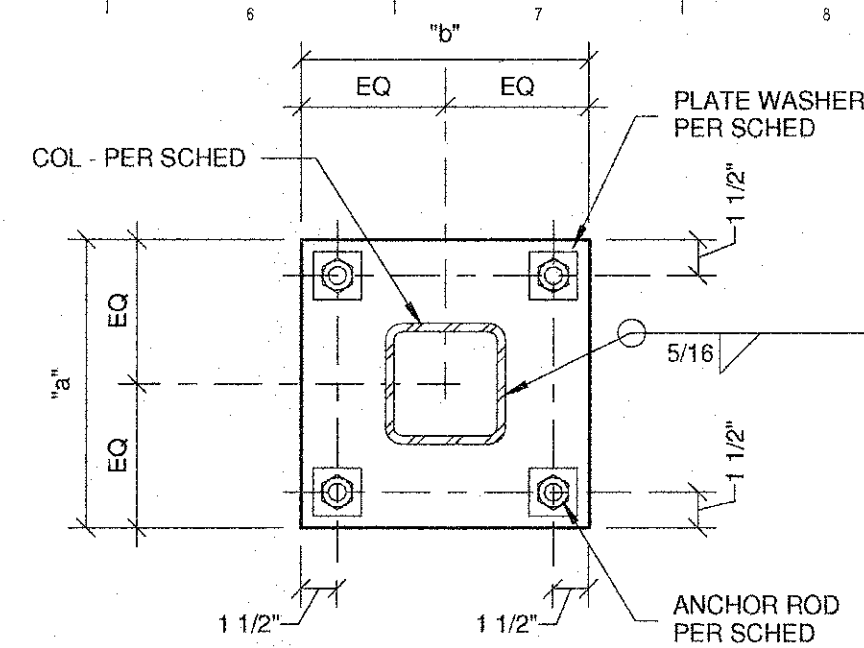
BASE PLATE SCHEDULE					
BASE PLATE TYPE	BASE PLATE SIZE "a" x "b" x "t"	ANCHOR RODS (QUANTITY x DIA)	PLATE WASHERS	MIN EMBED	PLATE DETAIL
BP-1	12"x12"x1"	(4)-3/4"Ø	2"x2"x1/4"	9"	A
BP-2	14"x14"x1 1/2"	(4)-3/4"Ø	2"x2"x1/4"	9"	A
BP-3	18"x18"x1 1/2"	(4)-3/4"Ø	2"x2"x1/4"	9"	B
BP-4	10x10x3/4"	(4)-3/4"Ø	2"x2"x1/4"	9"	A
BP-5	6x12x3/4"	(2)-3/4"Ø	2"x2"x1/4"	9"	C

UNO ALL ANCHOR RODS TO BE F1554 (GR 36)

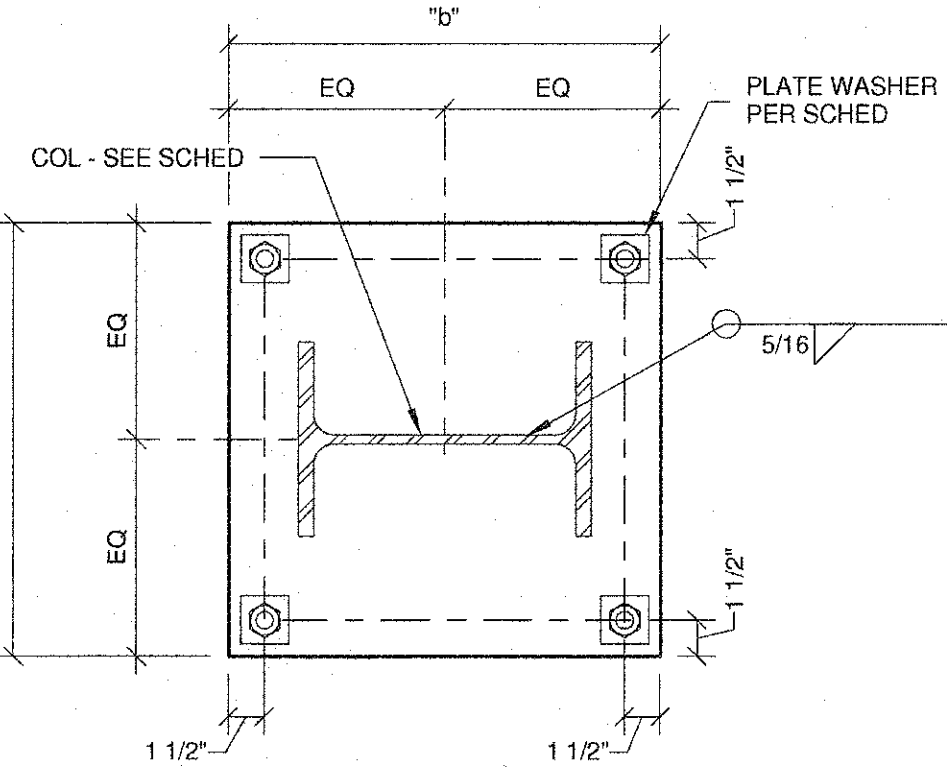


TYP ELEVATION VIEW

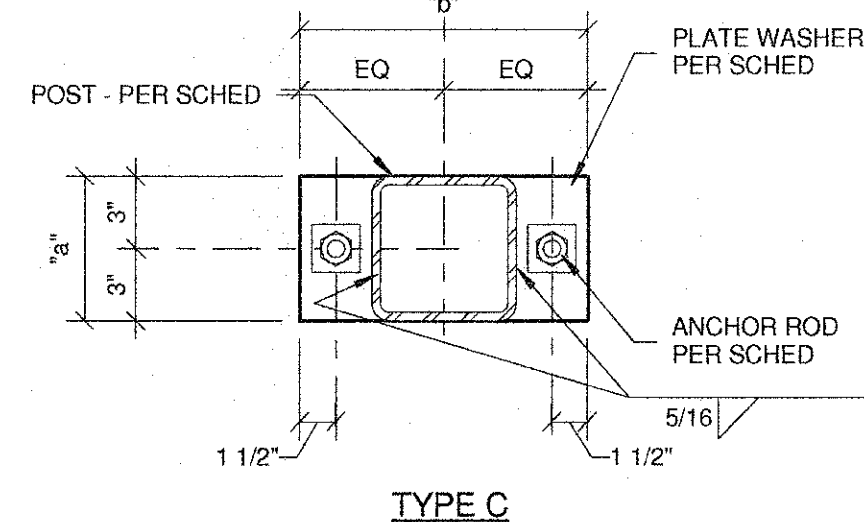
19 TYPICAL BASE PLATE DETAILS



TYPE A

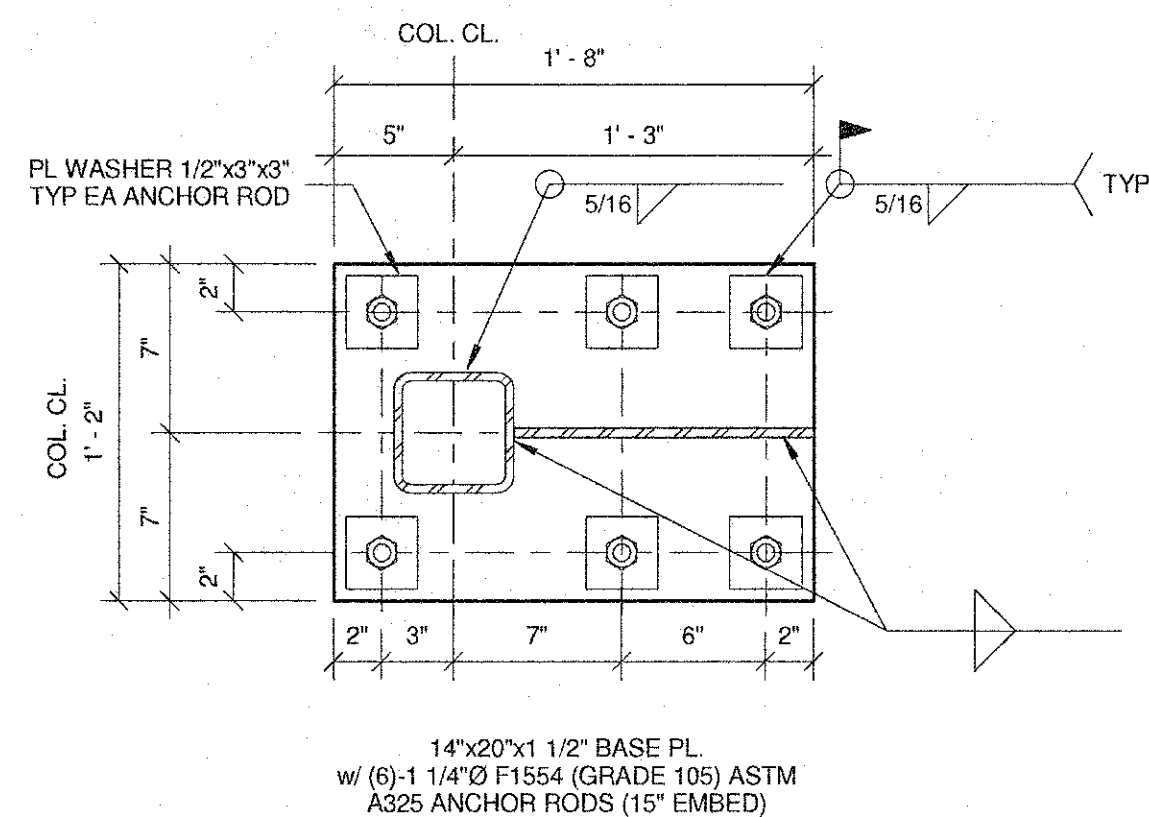


TYPE B



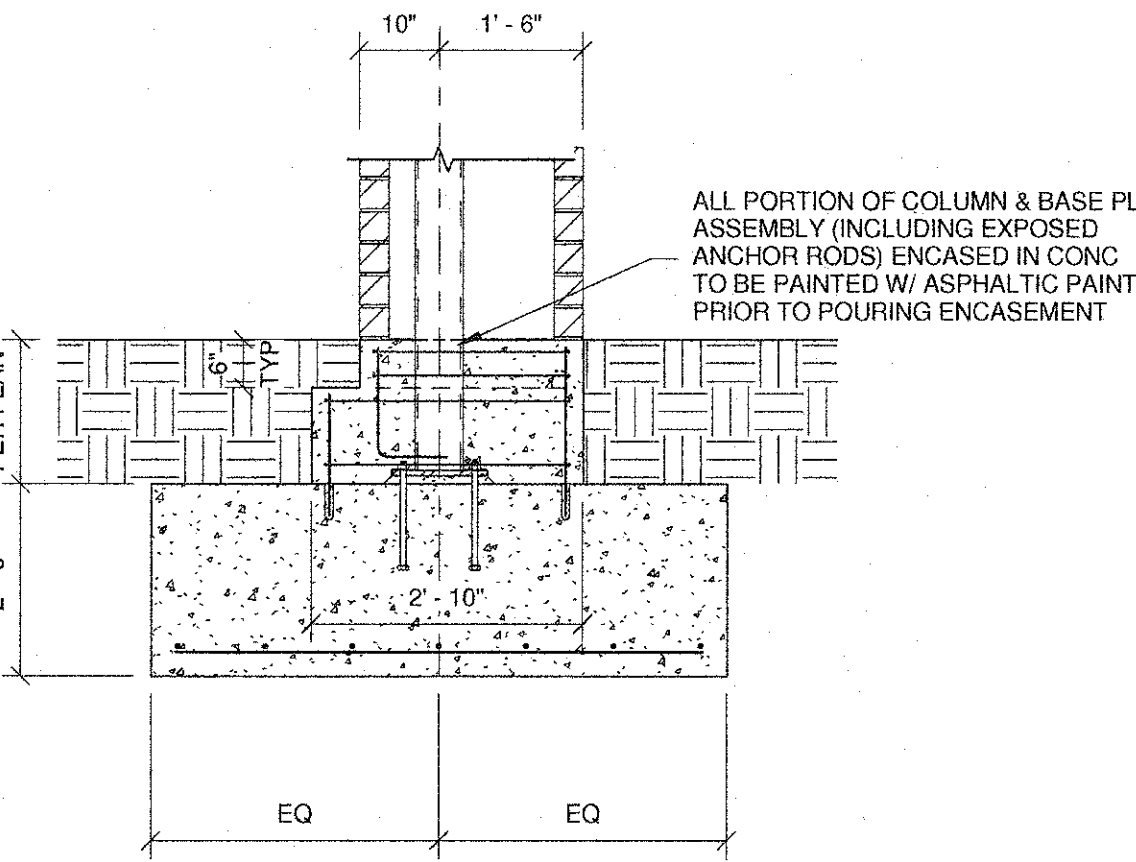
TYPE C

14 BASE PLATE DETAIL @ BRACE FRAME COLUMN UNO



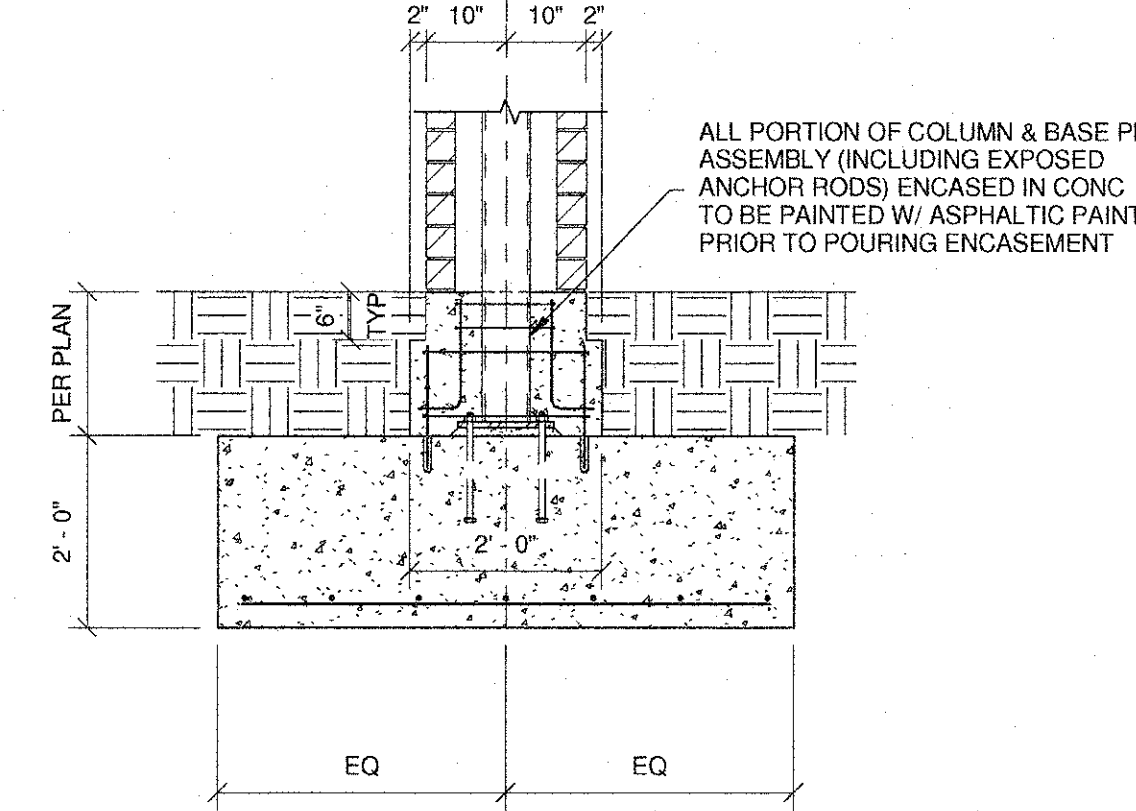
12 COLUMN ENCASEMENT DETAIL

SCALE: 1/2" = 1'-0"



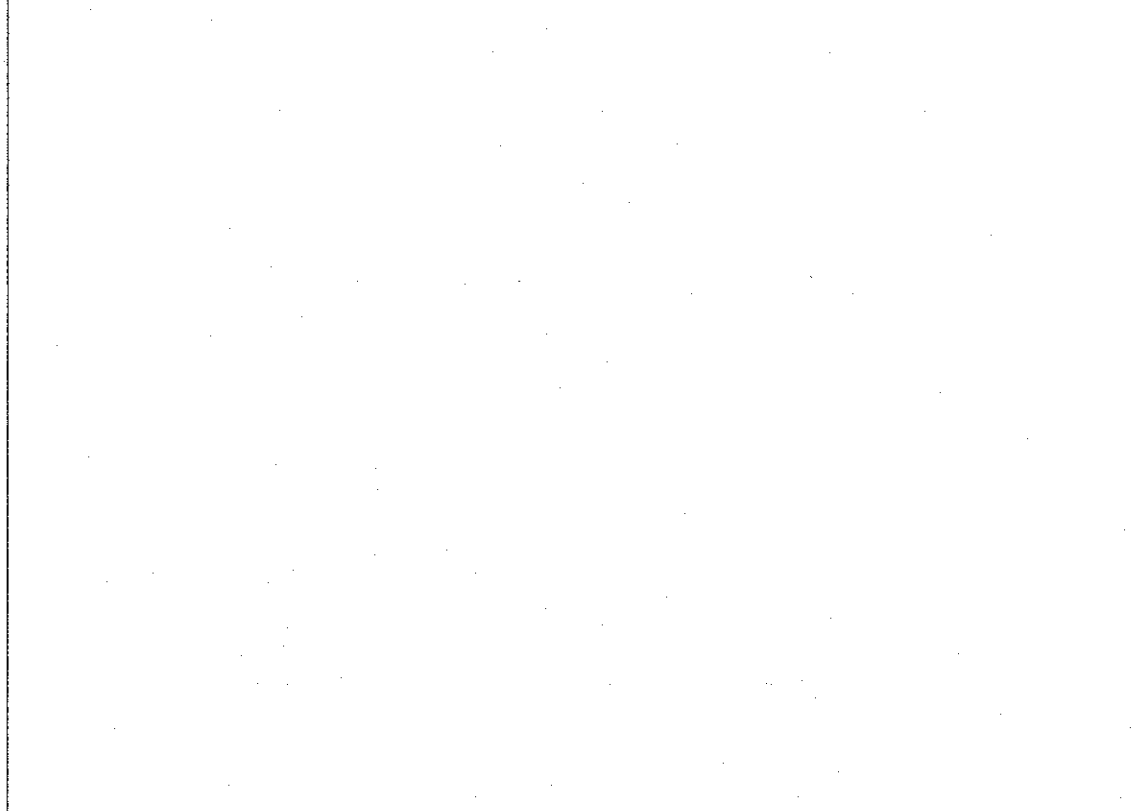
11 COLUMN ENCASEMENT DETAIL

SCALE: 1/2" = 1'-0"



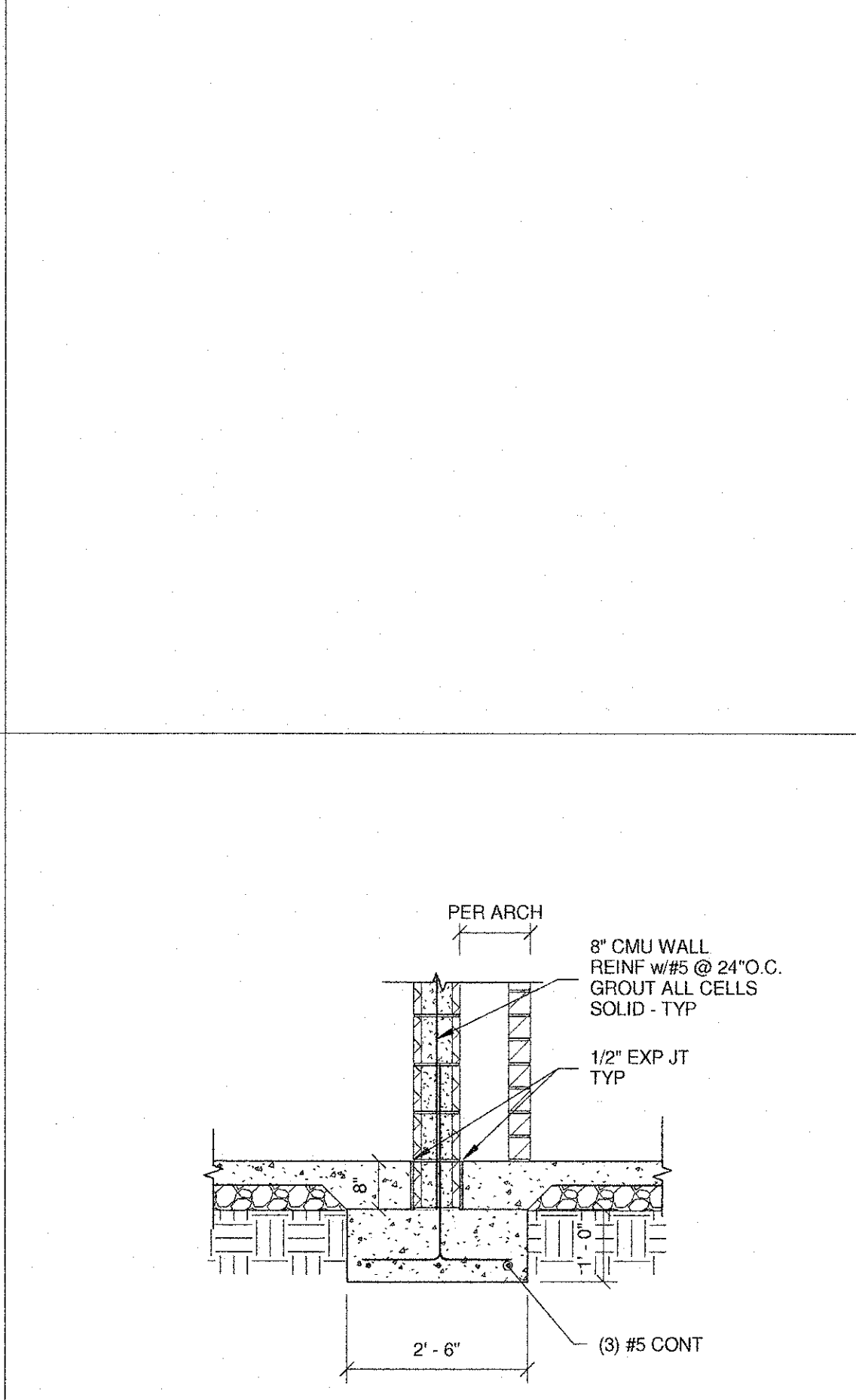
7 TYP 12\"/>

SCALE: 1/2" = 1'-0"



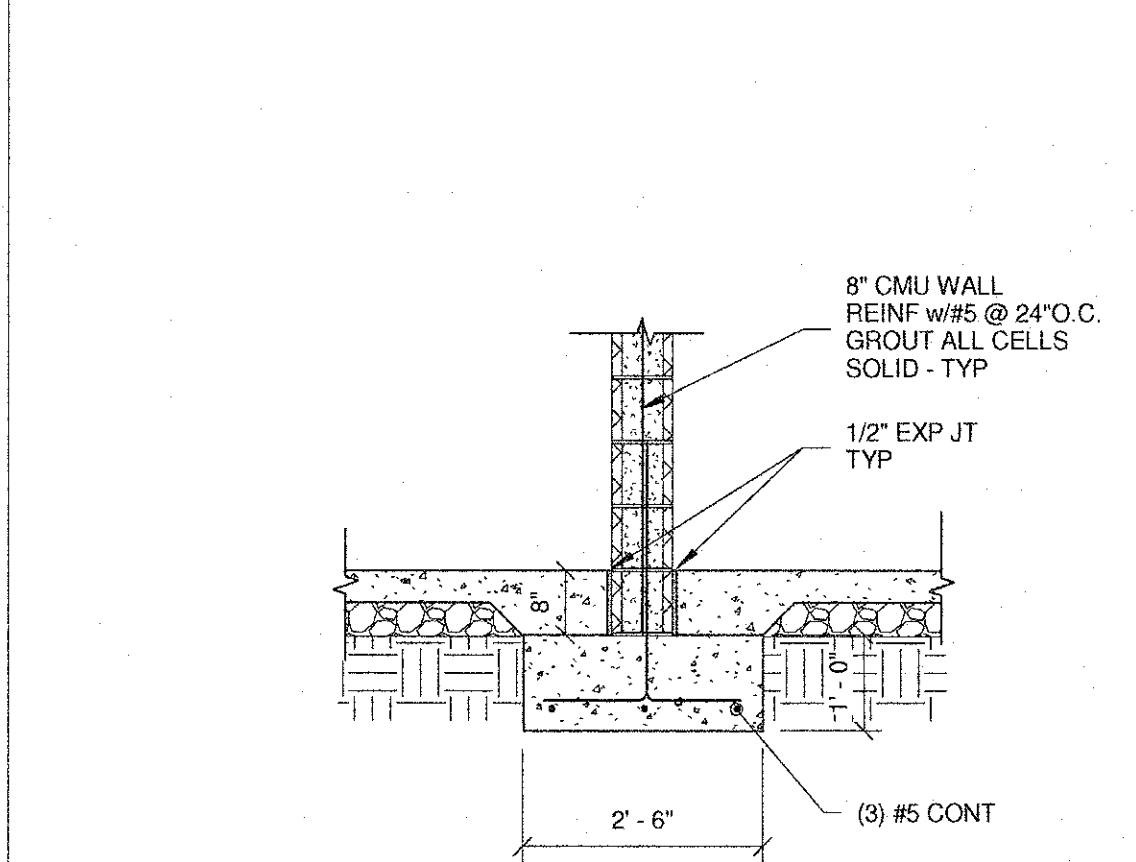
11 TYP 12\"/>

SCALE: 1/2" = 1'-0"



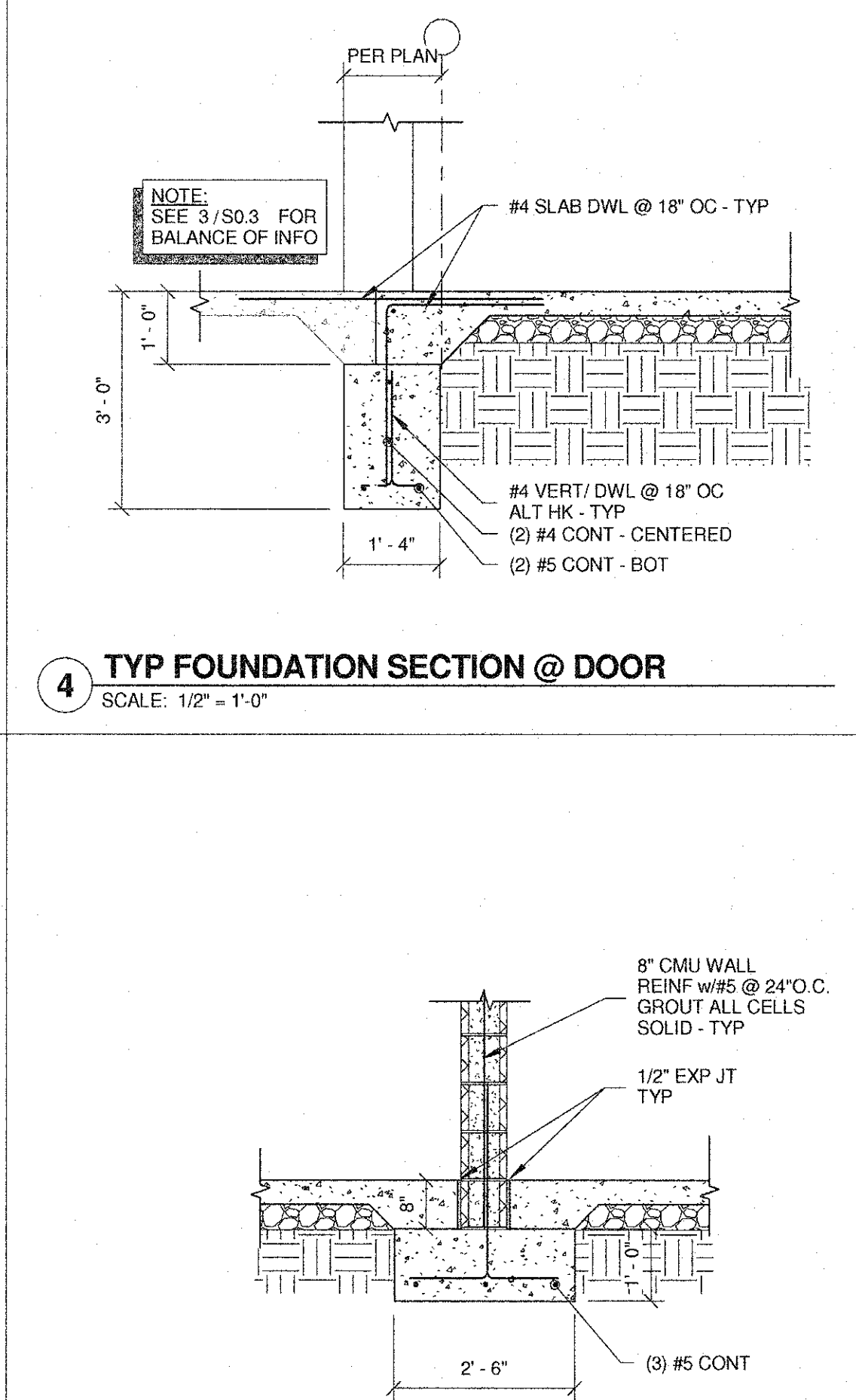
4 TYP FOUNDATION SECTION @ DOOR

SCALE: 1/2" = 1'-0"



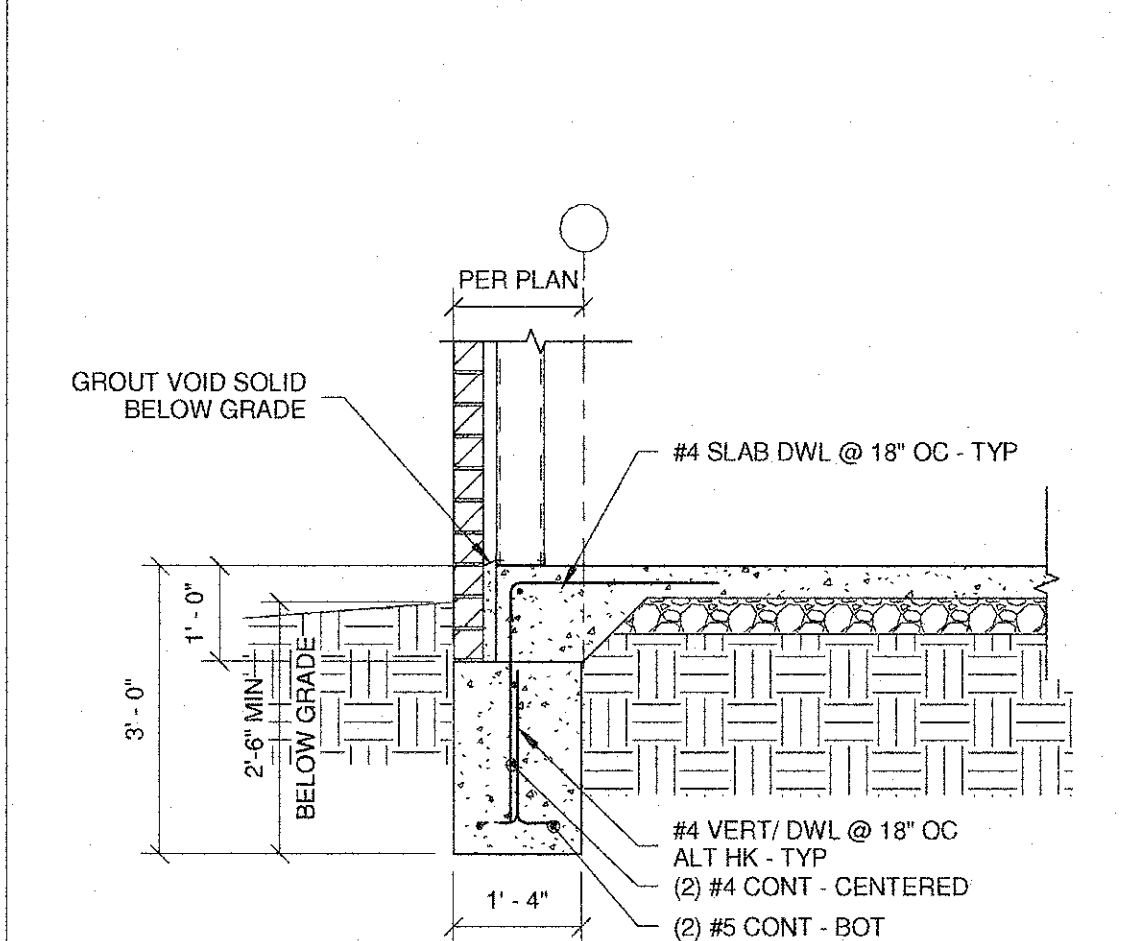
3 TYP 12\"/>

SCALE: 1/2" = 1'-0"



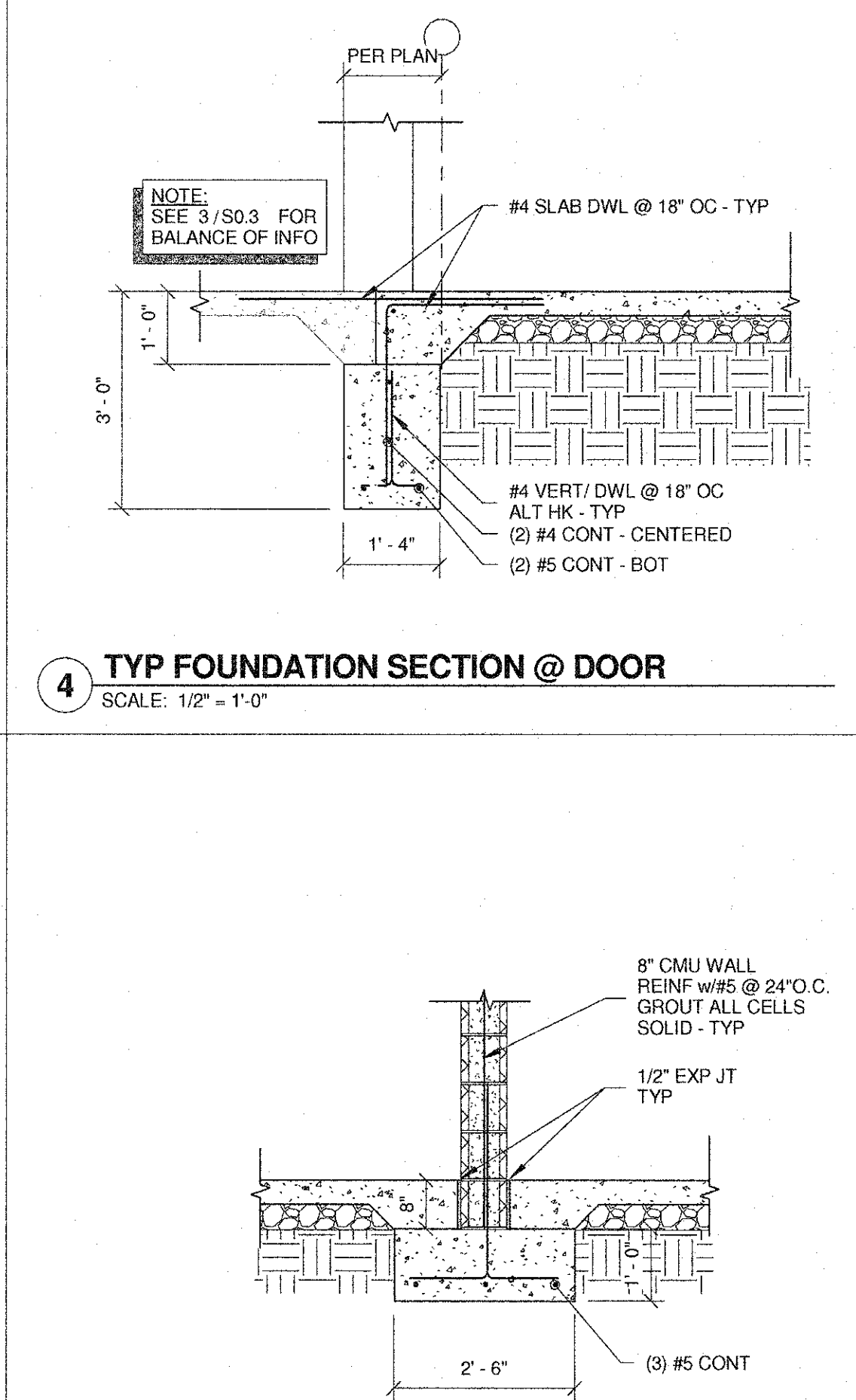
2 TYP FOUNDATION SECTION @ COLUMN

SCALE: 1/2" = 1'-0"



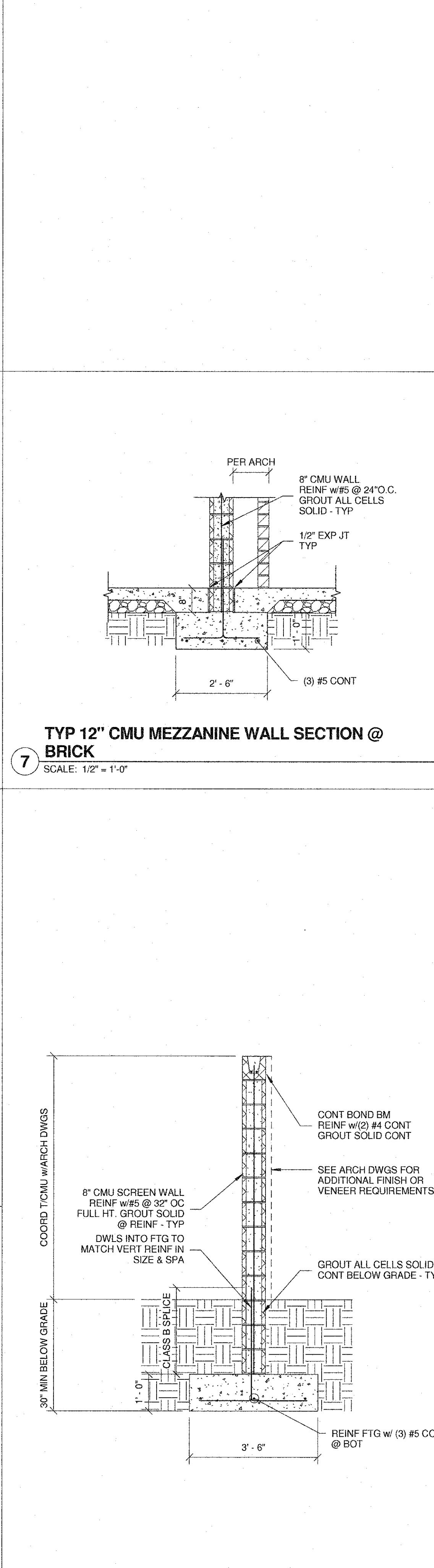
1 TYP FOUNDATION SECTION

SCALE: 1/2" = 1'-0"



5 MASONRY SCREEN WALL

SCALE: 1/2" = 1'-0"



RICHARD E. KWIAWKOWSKI  
MISSOURI STATE LICENSE # PE-2002015683  
EXPIRES: 09/12/19

CENTRAL MISSOURI PROFESSIONAL SERVICES, INC.  
MISSOURI STATE CERTIFICATE OF AUTHORITY #  
SSC ENGINEERING, INC.  
MECHANICAL/ELECTRICAL/PLUMBING ENGINEER #001244  
MISSOURI STATE CERTIFICATE OF AUTHORITY #001244  
SSC ENGINEERING, INC.  
MISSOURI STATE CERTIFICATE OF AUTHORITY #001244

The Architects Alliance inc.  
Missouri State Certificate of Authority # 000143  
631 West Main Street  
Jefferson City, Missouri  
(573) 636-5000 phone

STRUCTURAL FOUNDATION SECTIONS

MISSOURI SOYBEAN INNOVATION CENTER  
NEW OFFICE BUILDING  
734 S. COUNTRY CLUB DRIVE  
JEFFERSON CITY, MISSOURI

PROJECT NO. 1613  
DATE: SEPT. 12, 2018

S3.1

2017349 - BID/PERMIT SET - 09-12-18