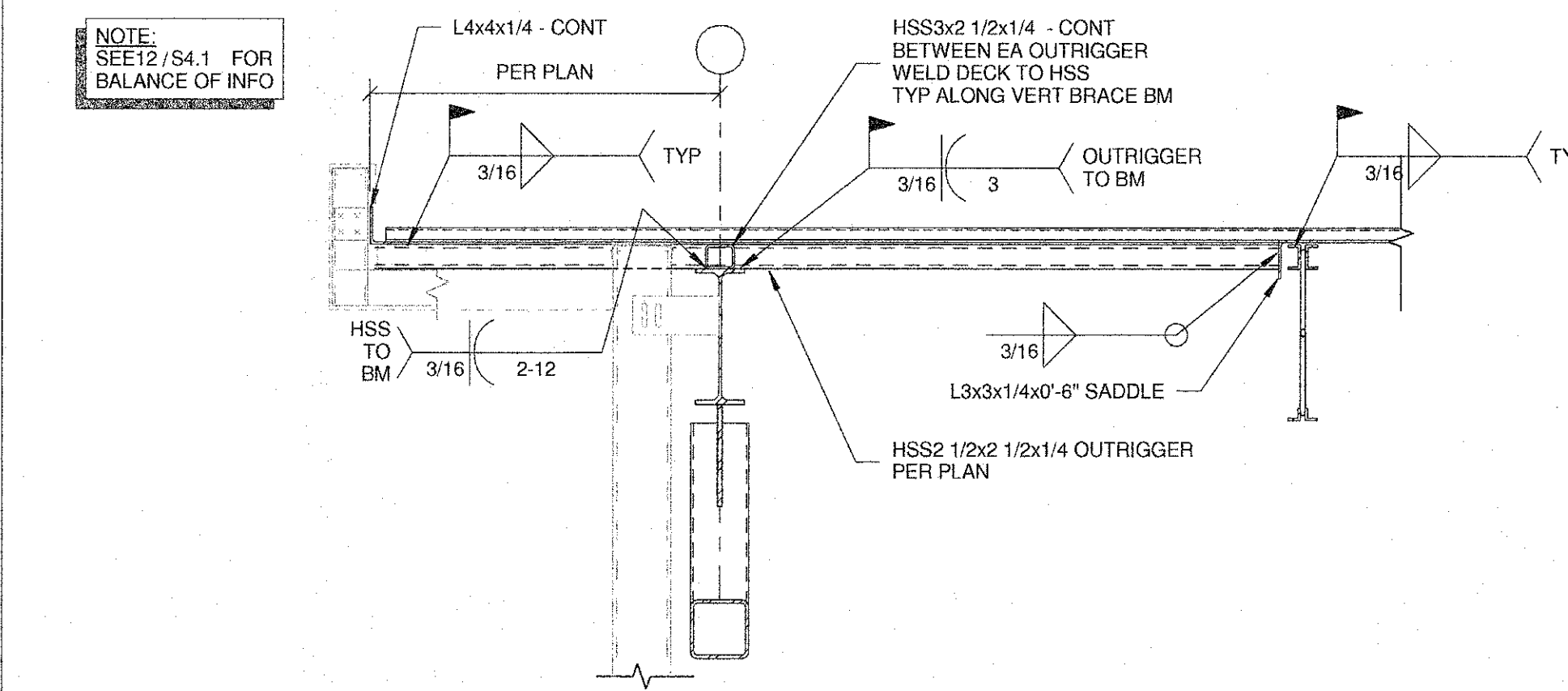
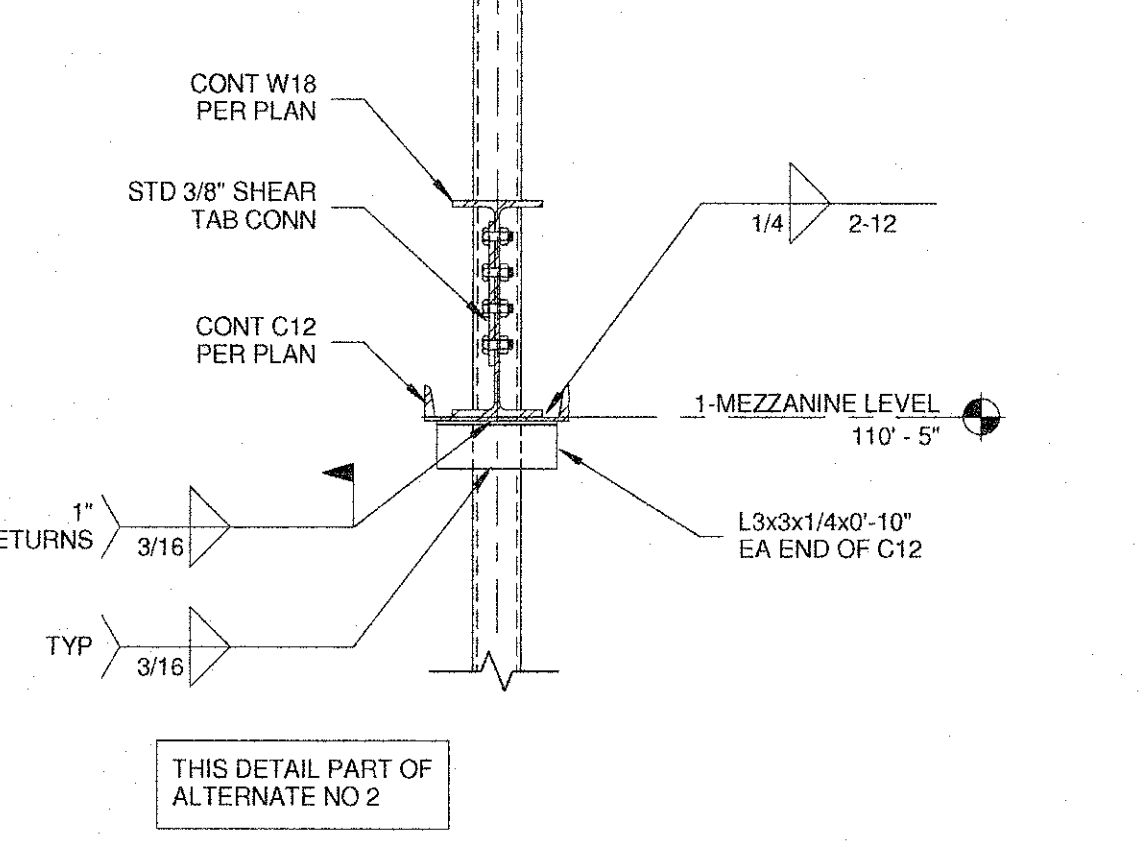


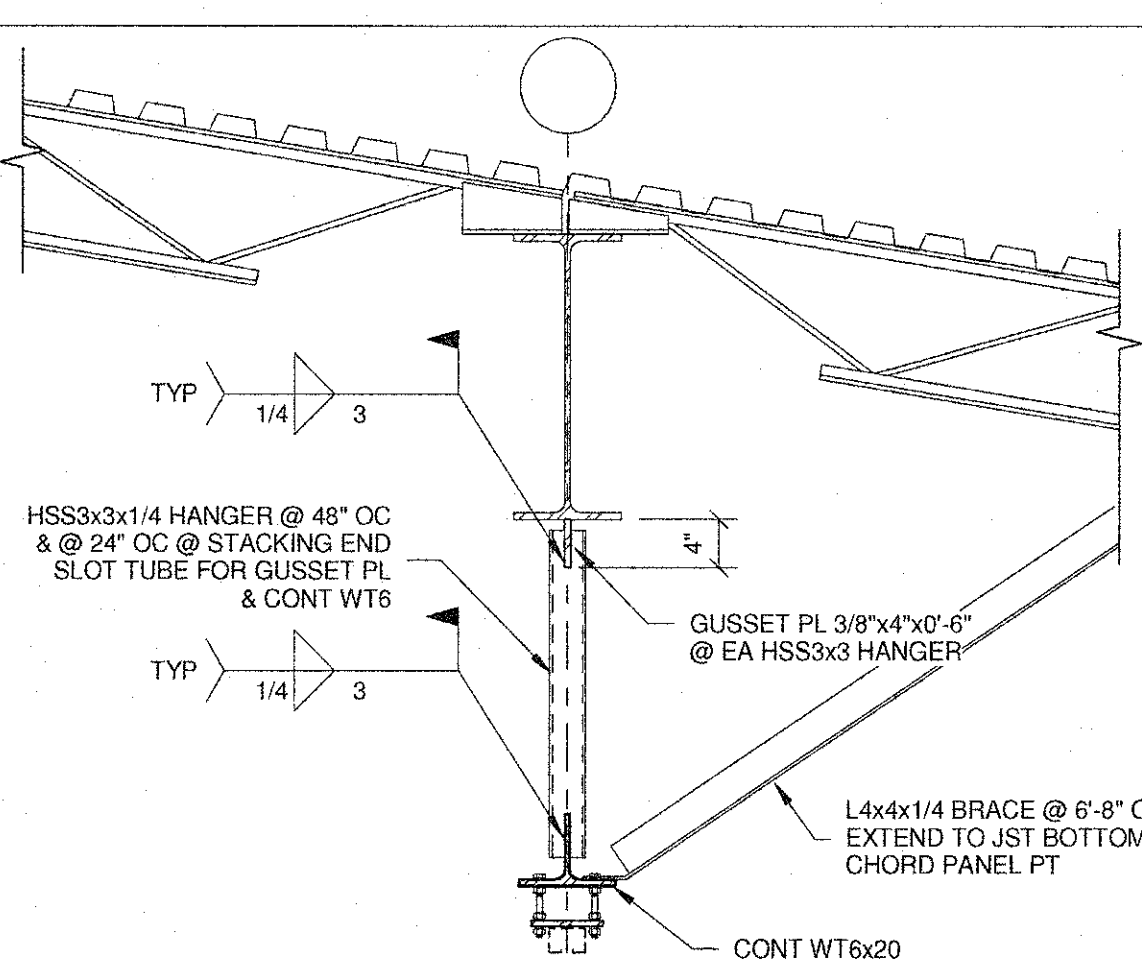
16 FOLDING PARTITION ALONG GRID 6
SCALE: 3/4" = 1'-0"



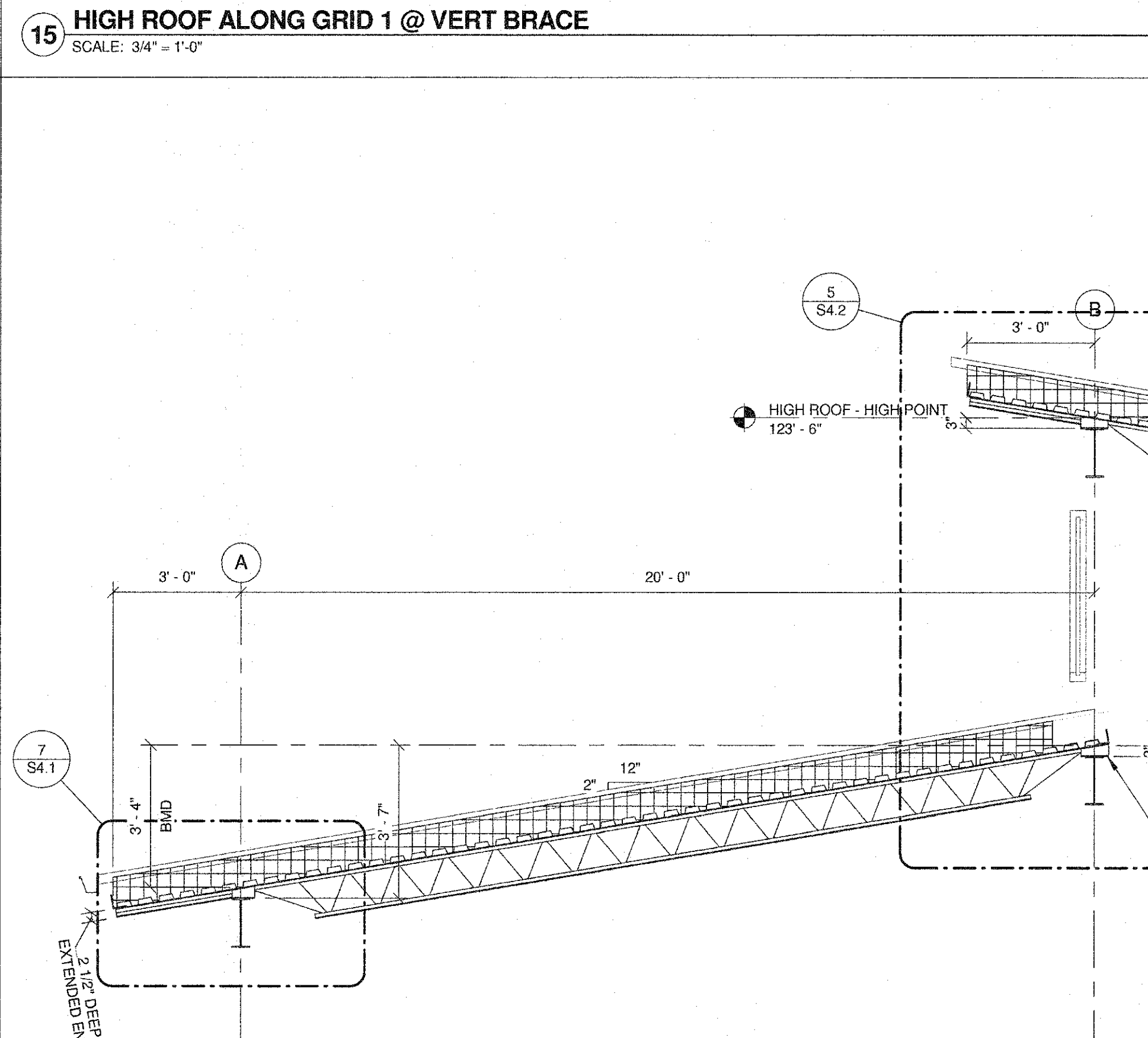
12 HIGH ROOF ALONG GRID 1
SCALE: 3/4" = 1'-0"



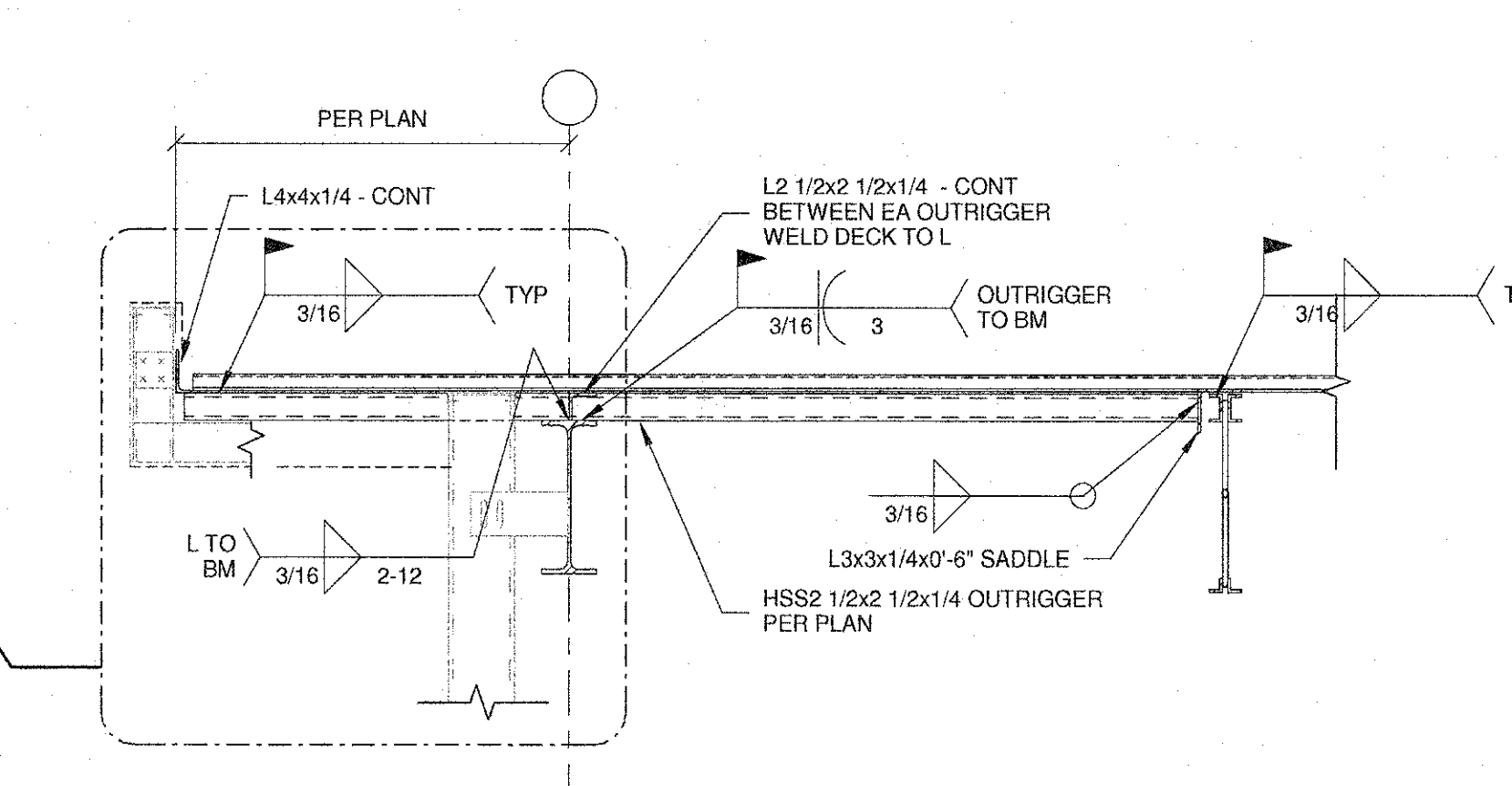
19 FOLDING PARTITION DETAIL
SCALE: 3/4" = 1'-0"



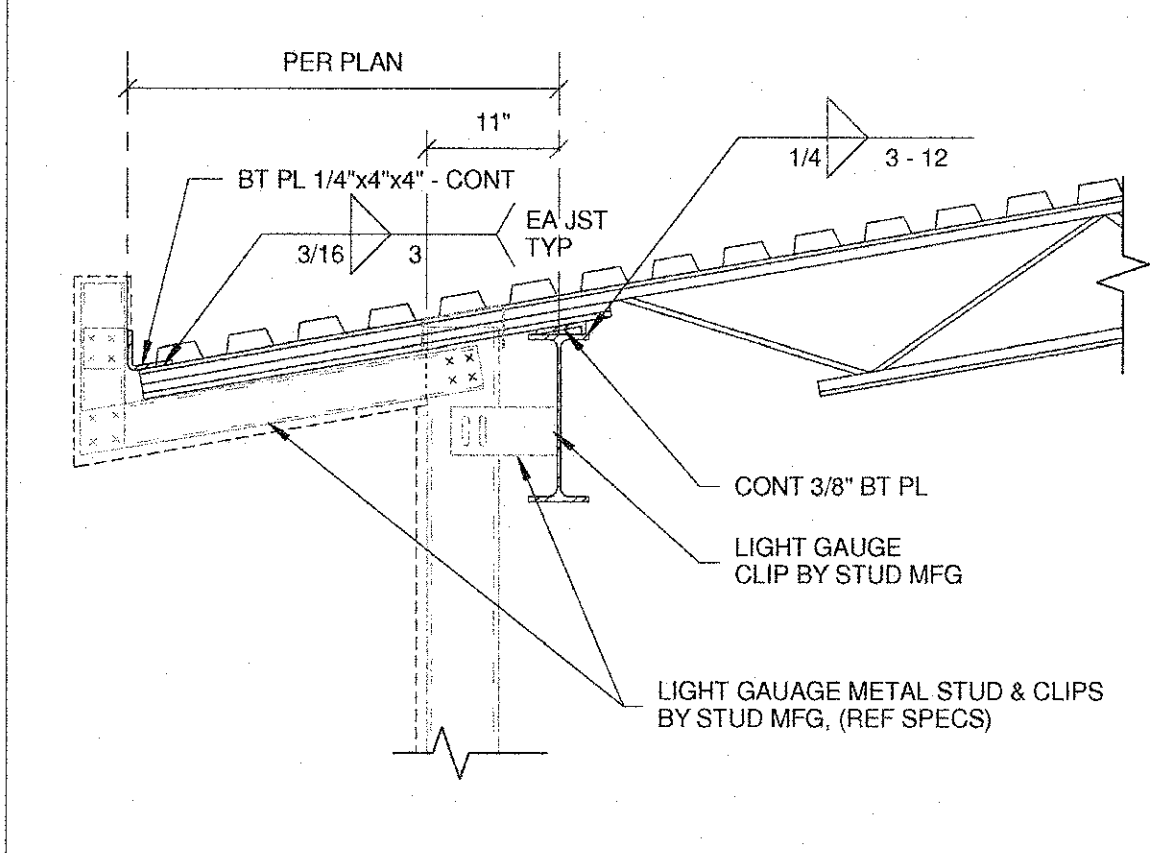
17 FOLDING PARTITION ALONG GRID D
SCALE: 3/4" = 1'-0"



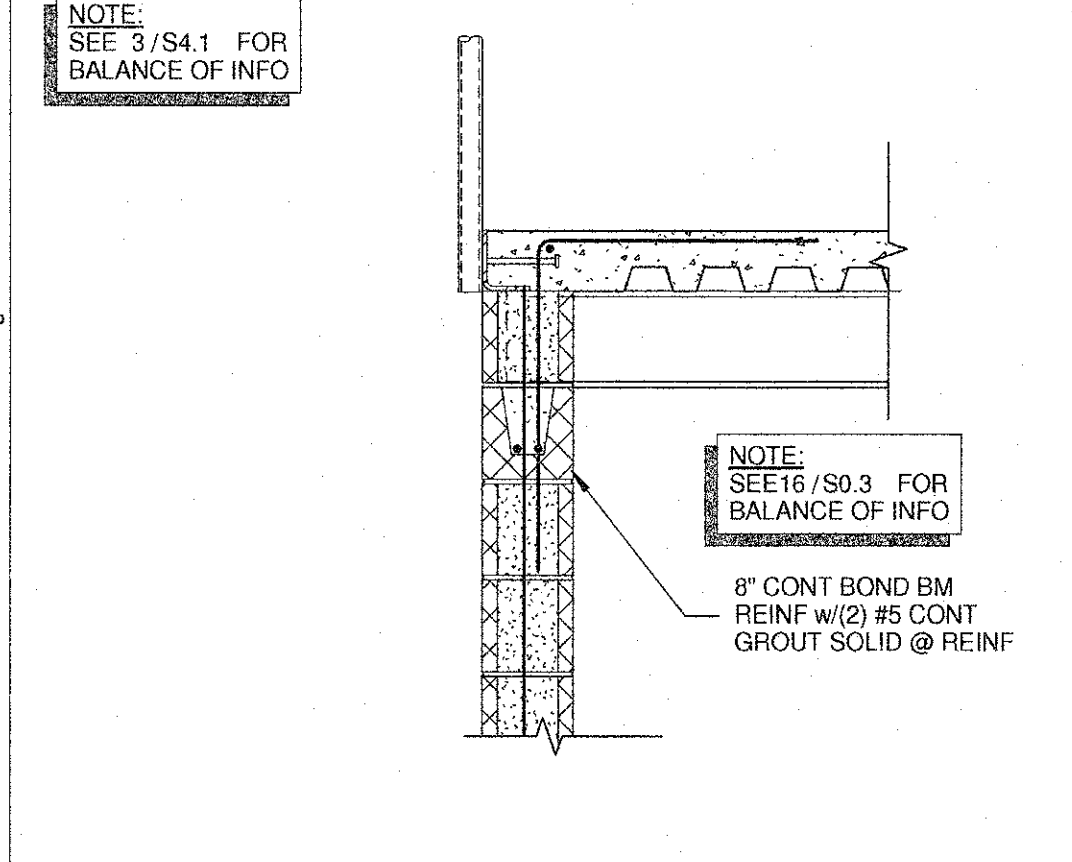
13 LOW ROOF CROSS SECTION
SCALE: 3/8" = 1'-0"



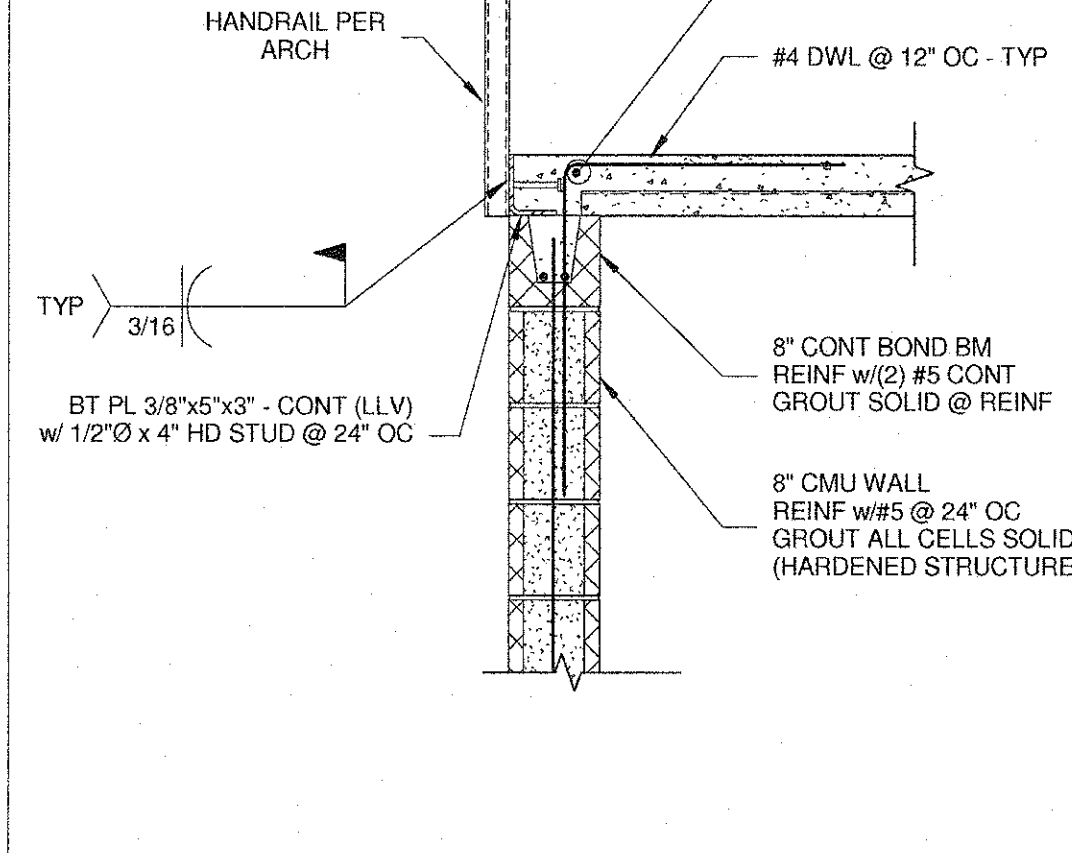
12 HIGH ROOF ALONG GRID 1
SCALE: 3/4" = 1'-0"



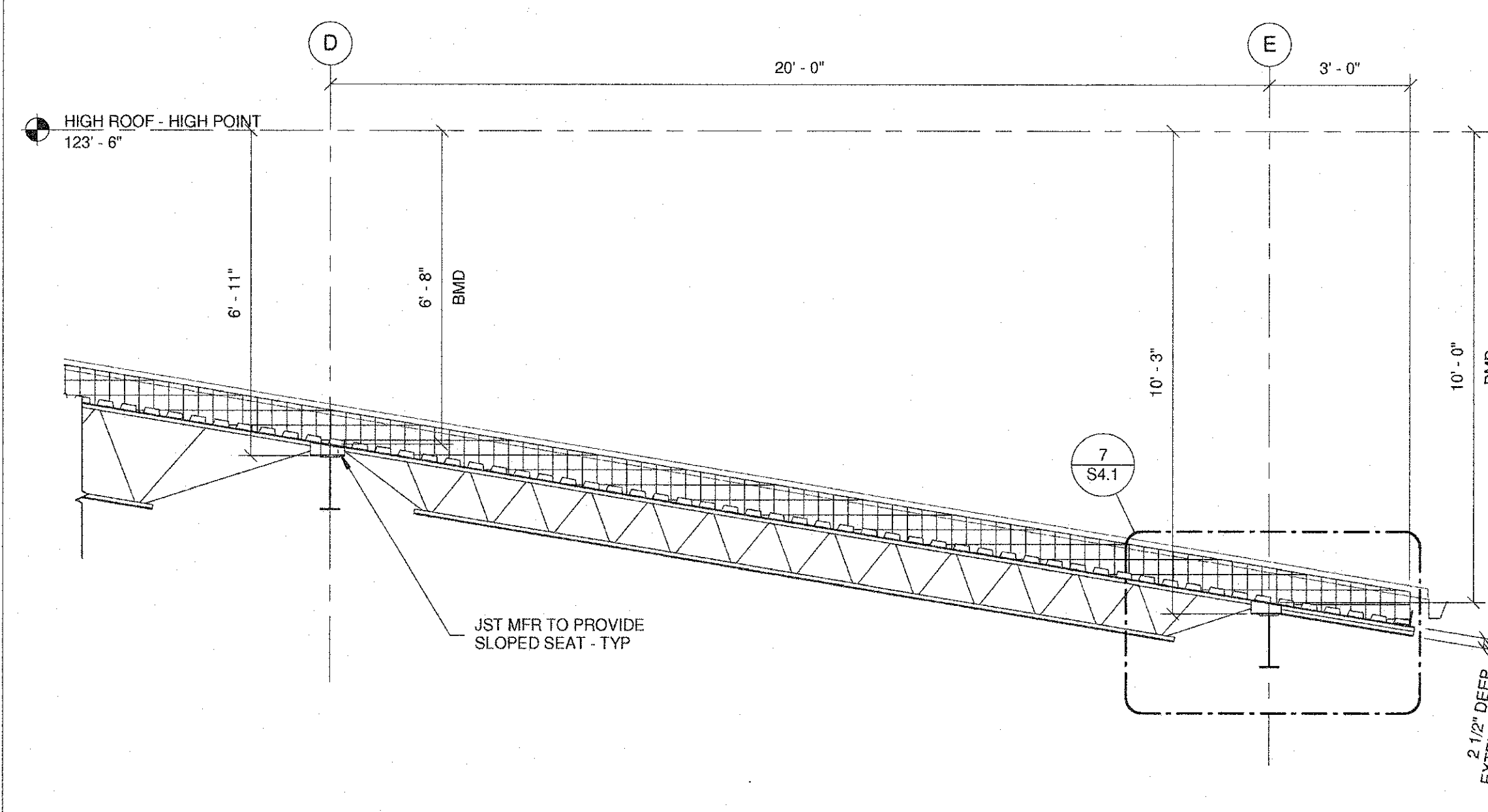
7 FRAMING SECTION
SCALE: 3/4" = 1'-0"



4 FRAMING SECTION
SCALE: 3/4" = 1'-0"



3 FRAMING SECTION
SCALE: 3/4" = 1'-0"



5 HIGH ROOF CROSS SECTION
SCALE: 3/8" = 1'-0"

The Seal and Signature apply only to the Document to which they are Affixed, and Expressly Disclaim any Responsibility for all other Plans, Specifications, Estimates, or any other Documents or any part or parts of the same. © 2018 by SSC Engineering, Inc.



RICHARD E. KWIATKOWSKI
MO LIC# PE-2002016683 EXP: 12/31/18

CENTRAL MISSOURI PROFESSIONAL SERVICES, INC.
MISSOURI STATE CERTIFICATE OF AUTHORITY # 0001544
SSC ENGINEERING, INC.
MECHANICAL/ELECTRICAL/PLUMBING ENGINEER
MISSOURI STATE CERTIFICATE OF AUTHORITY #001544
SSC ENGINEERING, INC.
STRUCTURAL ENGINEER
MISSOURI STATE CERTIFICATE OF AUTHORITY #001244

The Architects Alliance inc.
Missouri State Certificate of Authority # 000143
631 West Main Street
Jefferson City, Missouri
(573) 636-5000 phone

STRUCTURAL FRAMING SECTIONS

**MISSOURI SOYBEAN INNOVATION CENTER
NEW OFFICE BUILDING**
734 S. COUNTRY CLUB DRIVE
JEFFERSON CITY, MISSOURI

PROJECT NO. 1613
DATE: SEPT. 12, 2018

S4.1

2017349 - BID/PERMIT SET - 09-12-18