

The Seal and Signature apply only to the Document to which they are Affixed, and Electronic Documents may be used for all other Plans. Specifications, Estimates, Invoices, etc. shall not be used for any part or parts of this Document. © 2015 by SSC Engineering, Inc.



CENTRAL MISSOURI PROFESSIONAL SERVICES, INC.
 CIVIL ENGINEER
 MISSOURI STATE CERTIFICATE OF AUTHORITY #
 L. SPENCE
 NUMBER
 E-30125
 09/12/18
 KRAIG L. SPENCE
 E-30125
 SSC ENGINEERING, INC.
 MECHANICAL/ELECTRICAL/PLUMBING ENGINEER
 MISSOURI STATE CERTIFICATE OF AUTHORITY #001244
 SSC ENGINEERING, INC.
 STRUCTURAL ENGINEER
 MISSOURI STATE CERTIFICATE OF AUTHORITY #001244

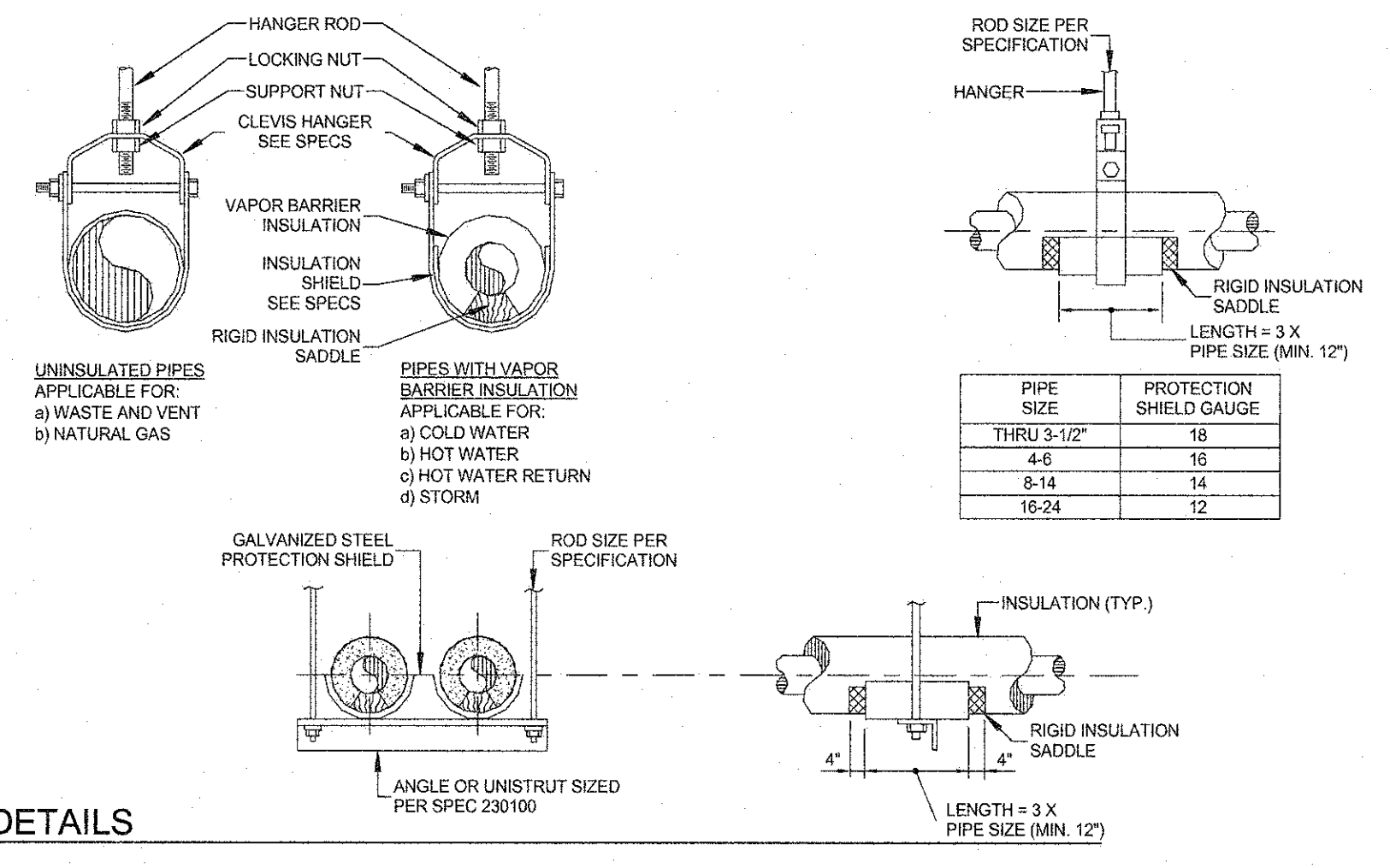
Missouri State Certificate of Authority # 000143
 631 West Main Street
 Jefferson City, Missouri
 (573) 636-5000 phone

PLUMBING DETAILS

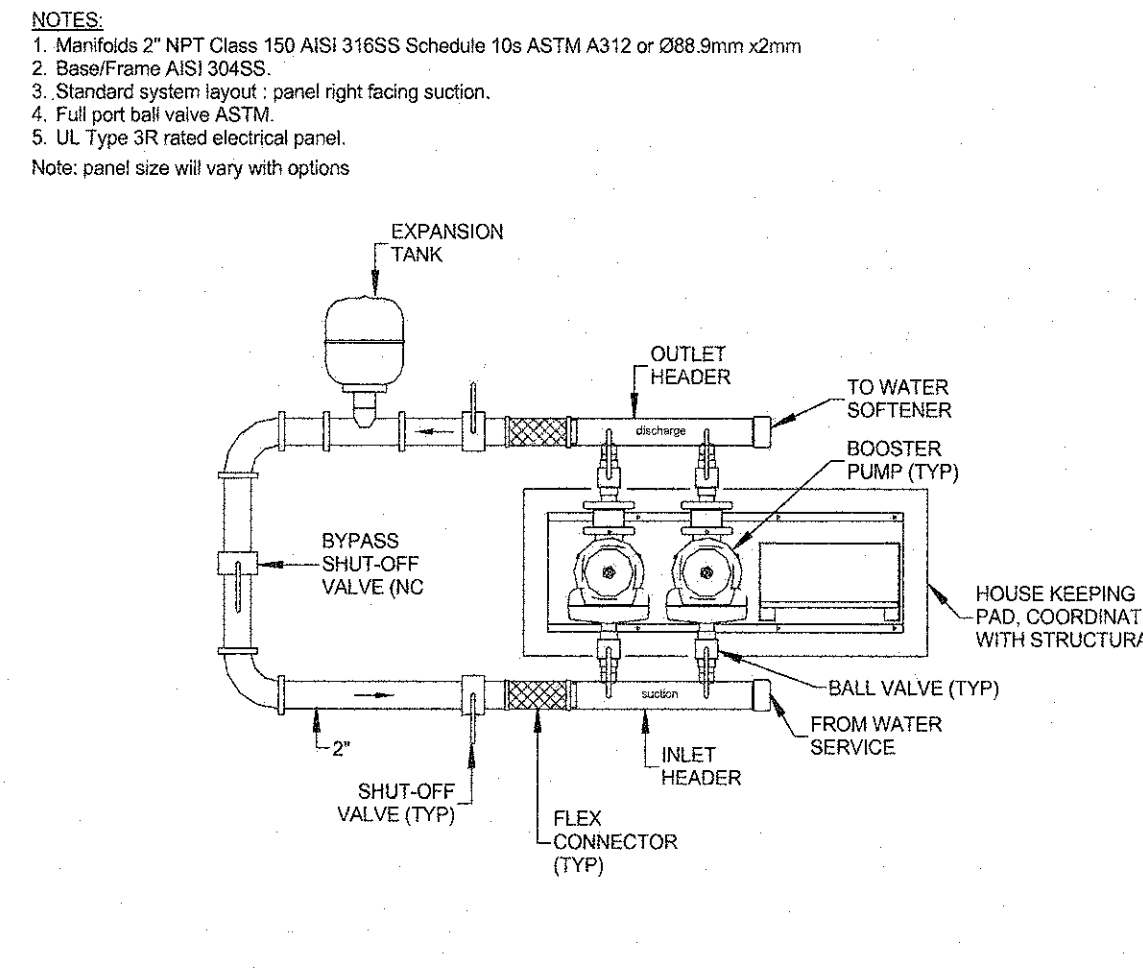
MISSOURI SOYBEAN INNOVATION CENTER
NEW OFFICE BUILDING
 734 S. COUNTRY CLUB DRIVE
 JEFFERSON CITY, MISSOURI

PROJECT NO. 1613
 DATE: Sept. 12, 2018
P0.2

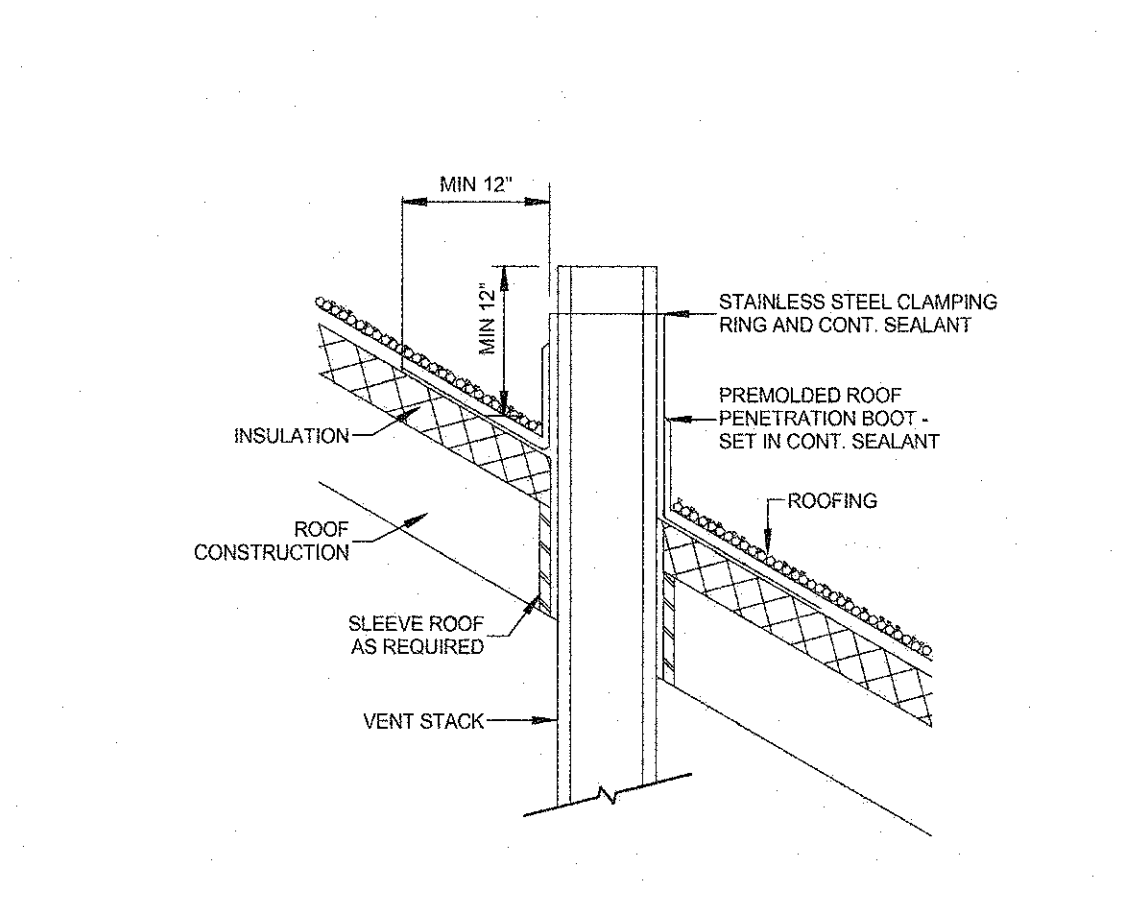
2017349 - BID/PERMIT SET - 09-12-18



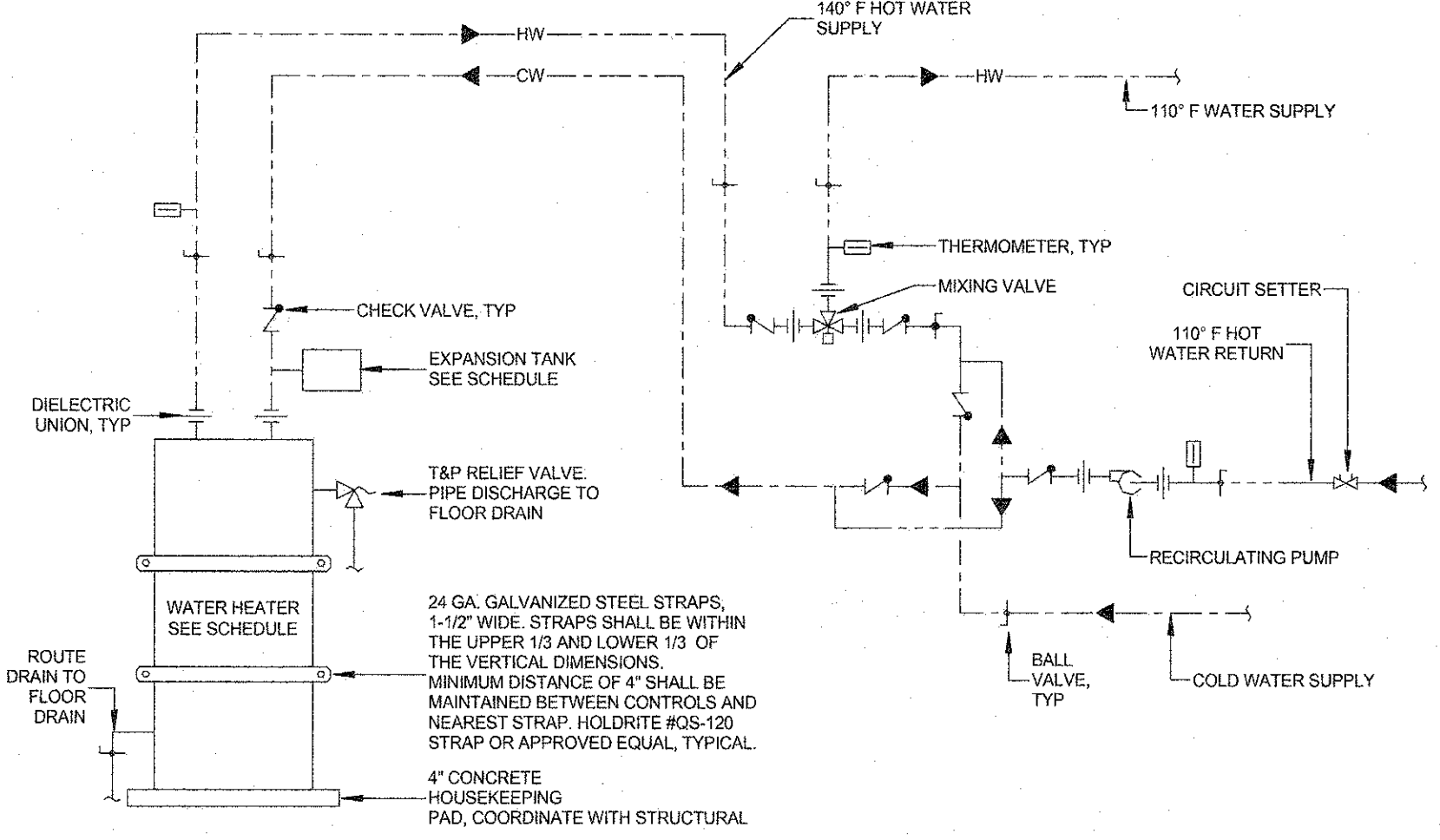
8 PIPE HANGER DETAILS
NOT TO SCALE



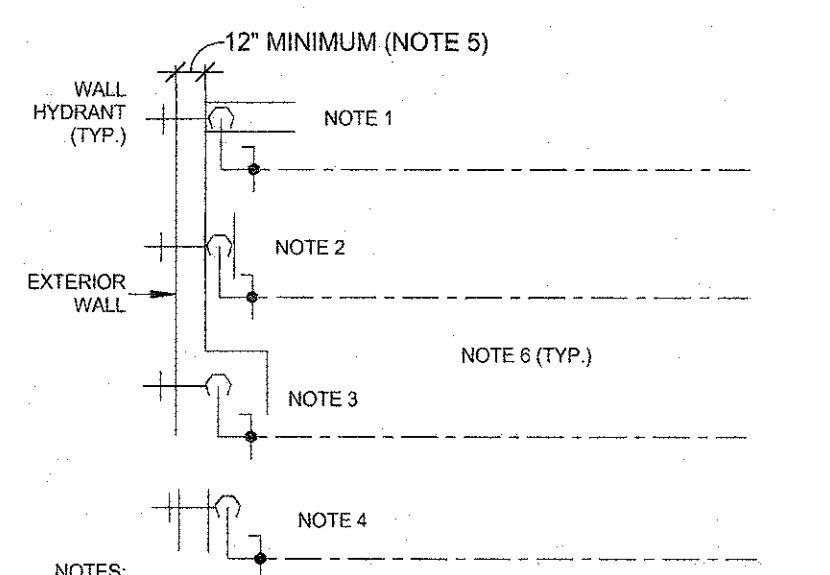
11 BOOSTER PUMP DUPLEX DETAIL
NOT TO SCALE



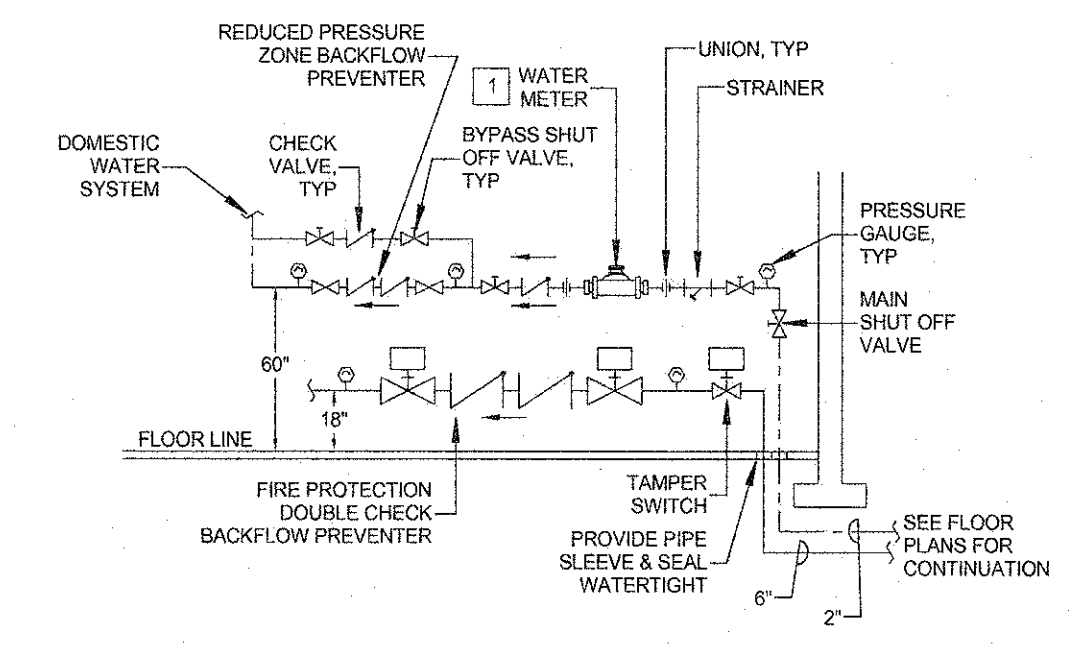
10 VENT THRU ROOF DETAIL (SLOPED ROOF)
NOT TO SCALE



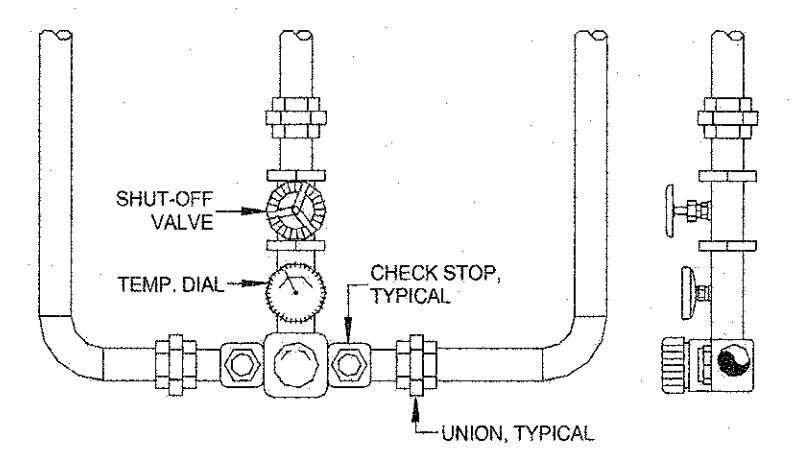
7 WATER HEATER, MIXING VALVE AND CIRCULATING PUMP PIPING DETAIL
NOT TO SCALE



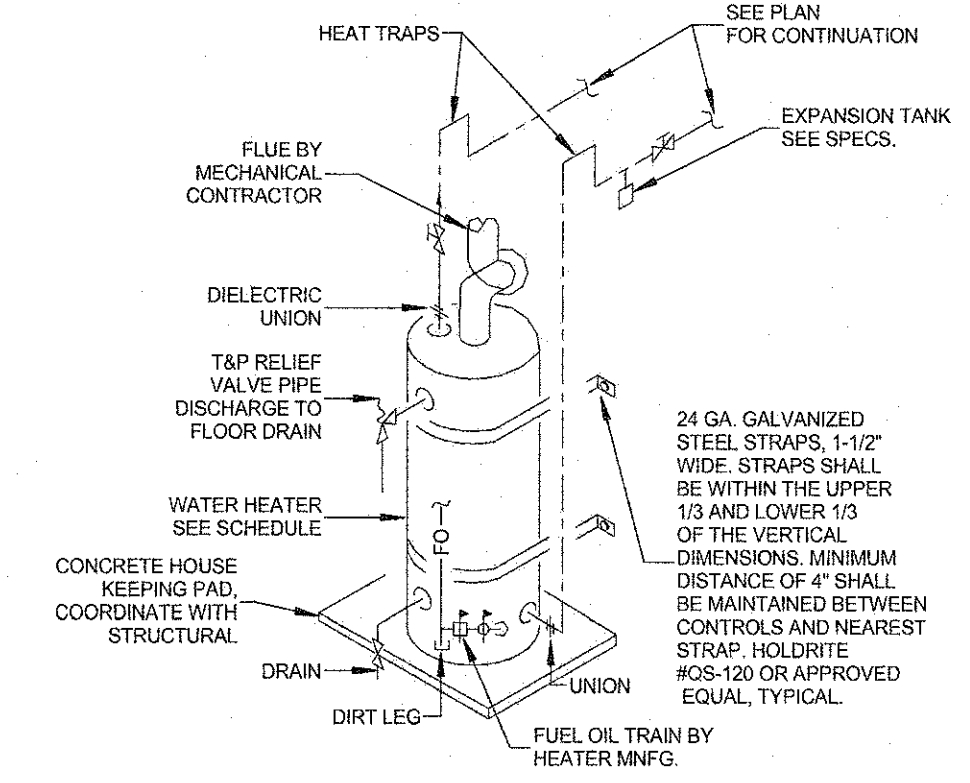
6 WALL HYDRANT DETAIL
NOT TO SCALE



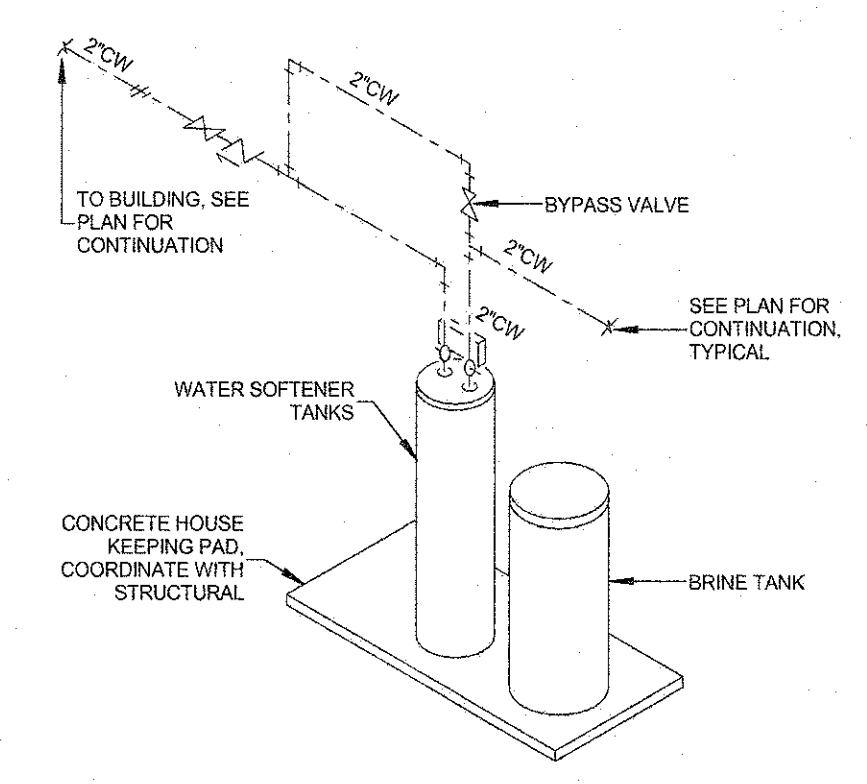
2 WATER SERVICE PIPING DETAIL
NOT TO SCALE



9 MIXING VALVE AND CIRCULATING PUMP DETAIL
NOT TO SCALE



5 OIL WATER HEATER DETAIL
NOT TO SCALE



1 WATER SOFTENER DETAIL
NOT TO SCALE