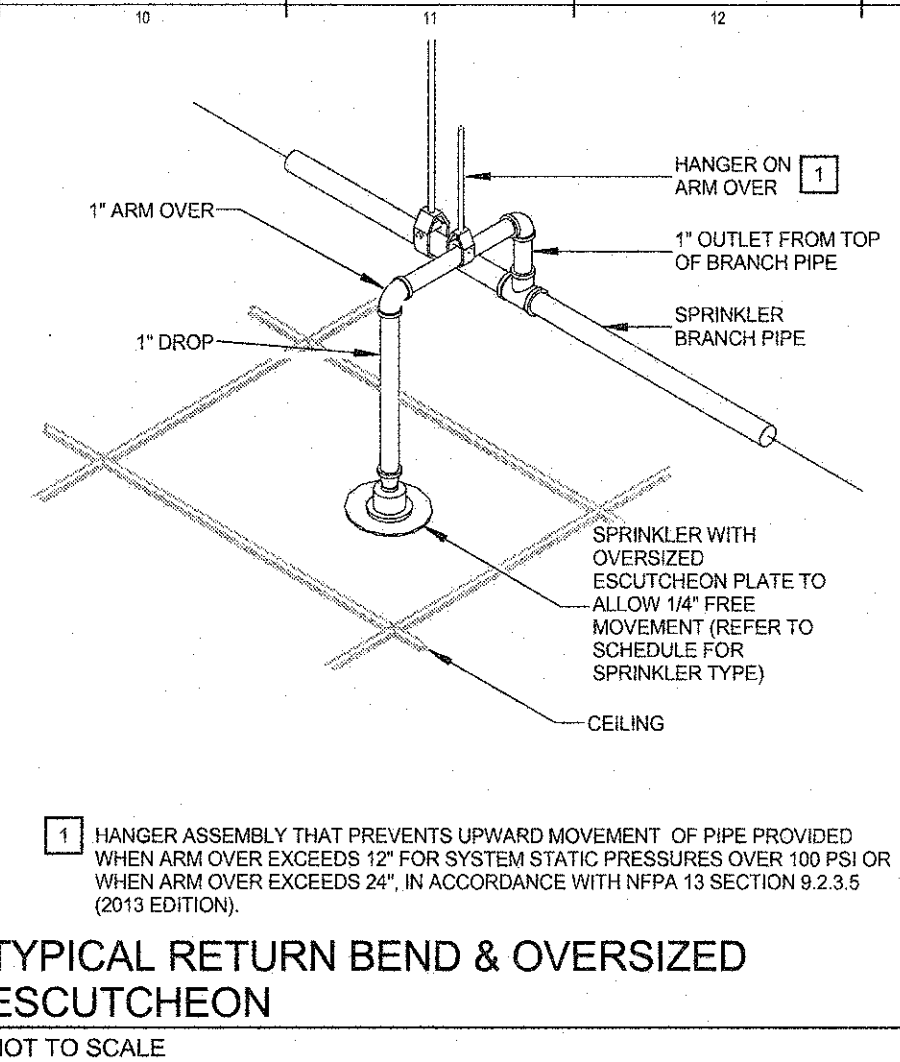
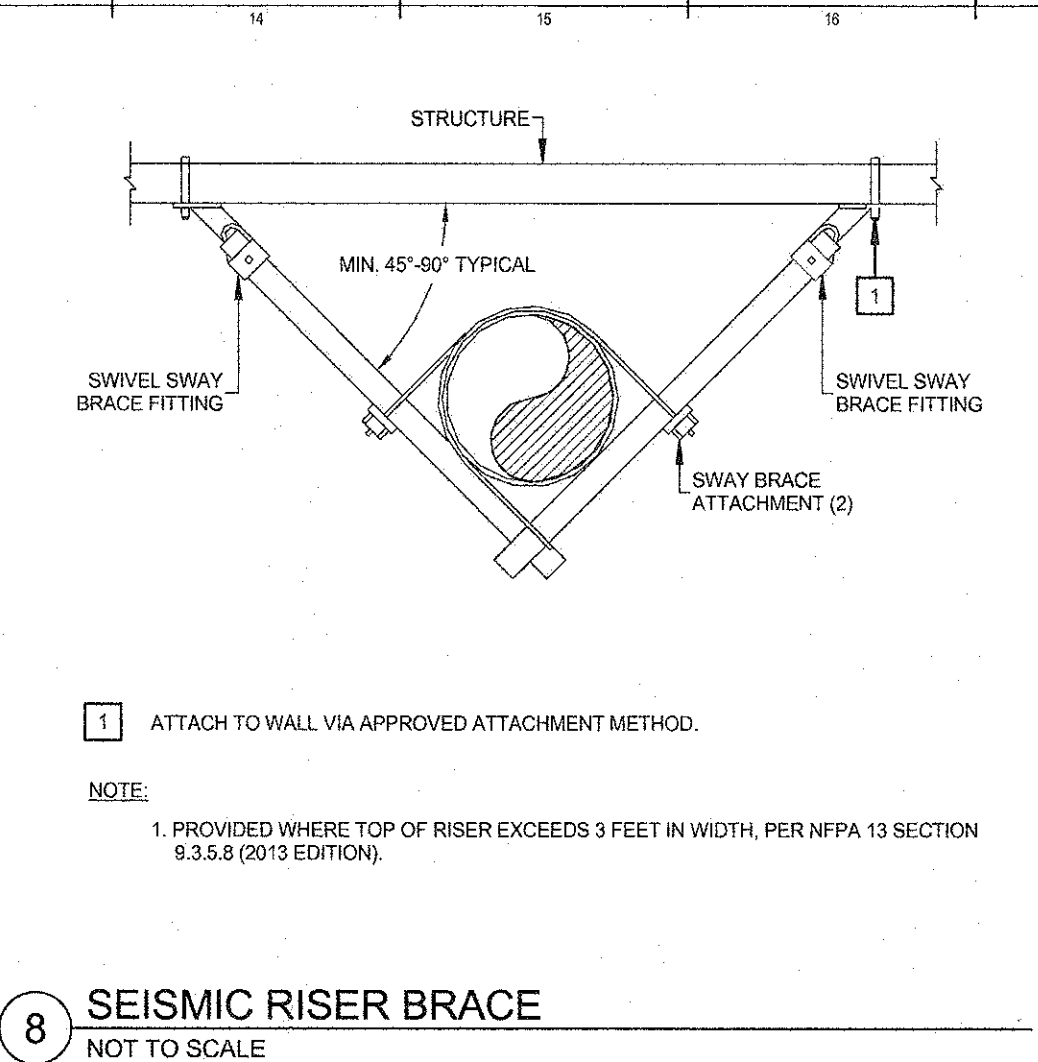


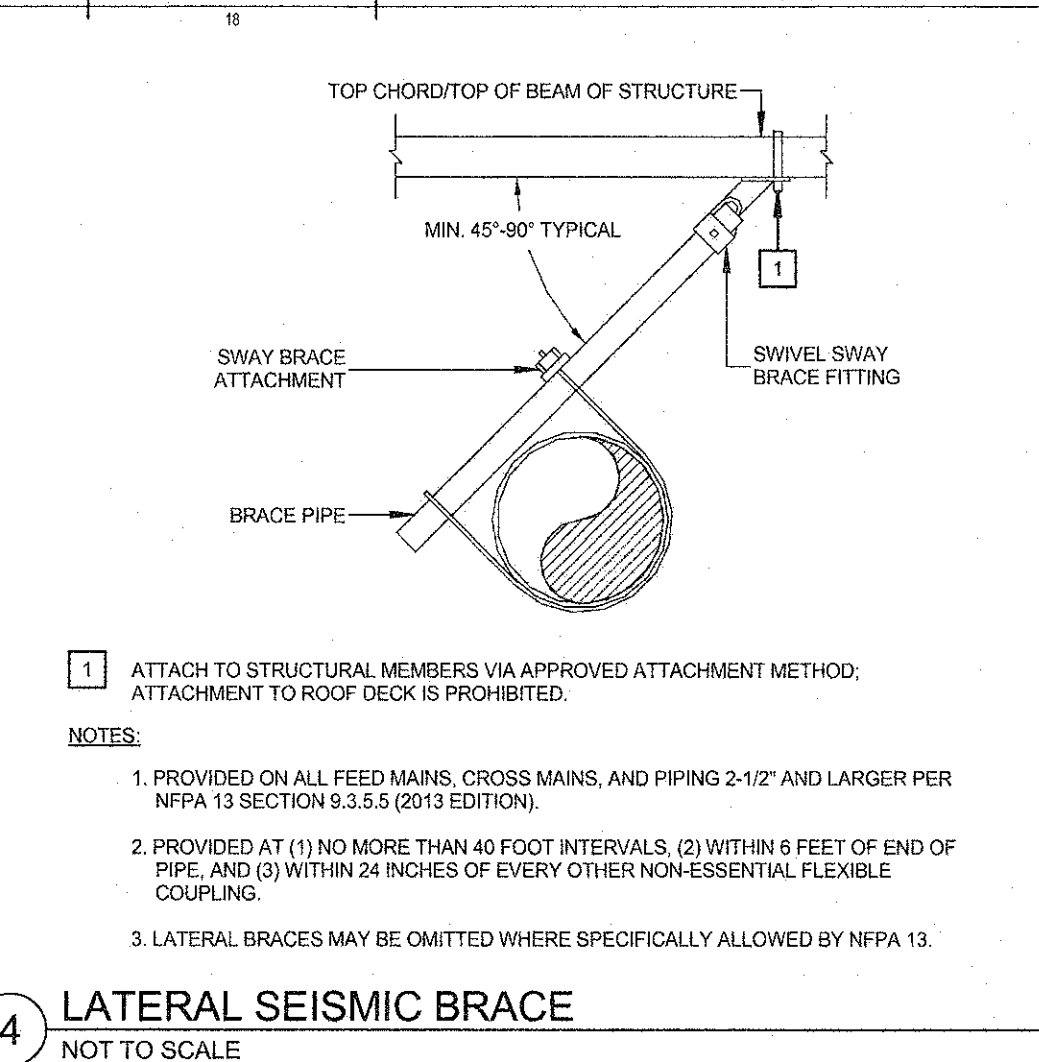
The Seal and Signature apply only to the Department to which they are Affixed, and Eminent Decision may be made by the Department for all other Plans, Specifications, Estimates, and Addenda. The Seal and Signature are not intended to be used for any part or parts of the Project. Copyright © 2018 by SSC Engineering, Inc.



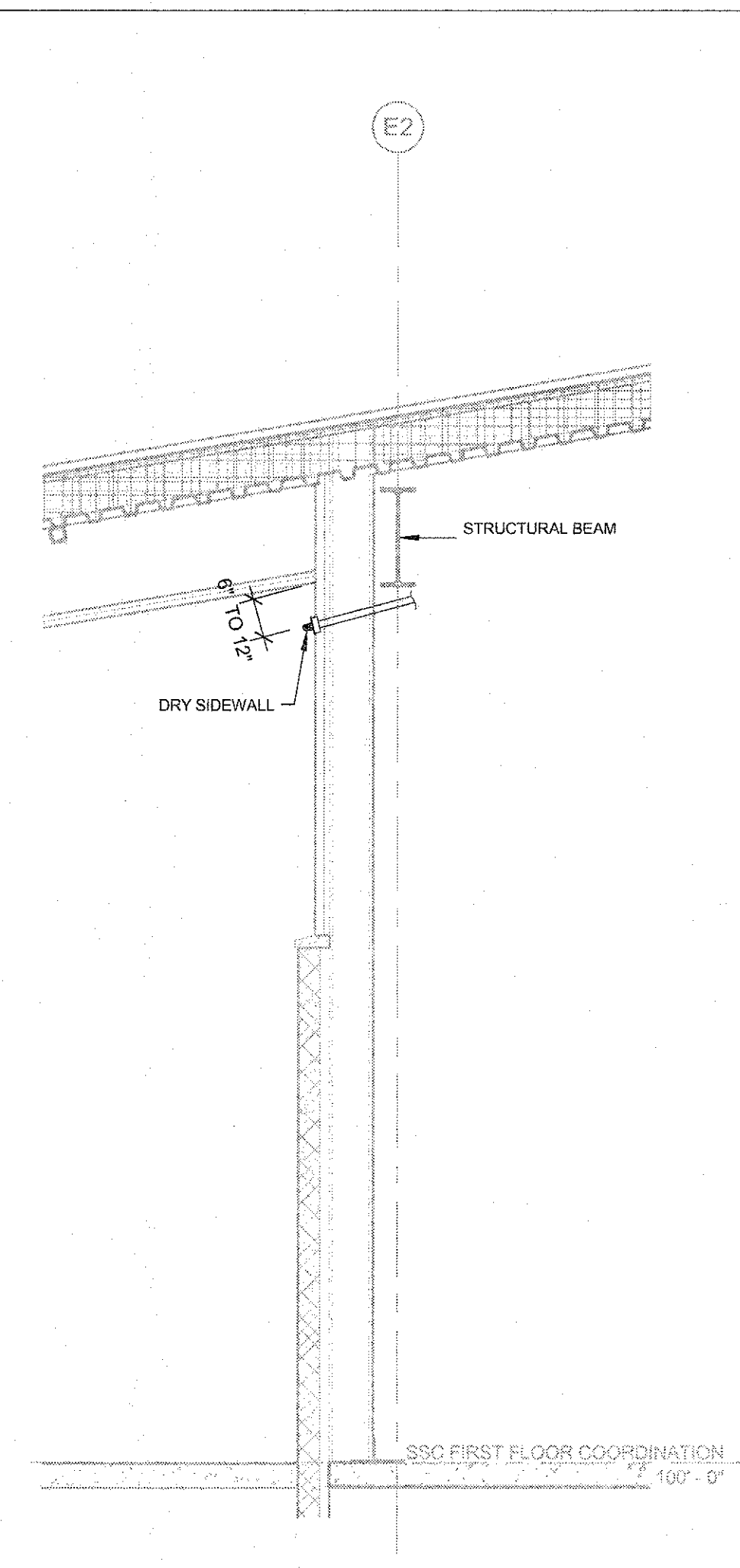
12 TYPICAL RETURN BEND & OVERSIZED ESCUTCHEON  
NOT TO SCALE



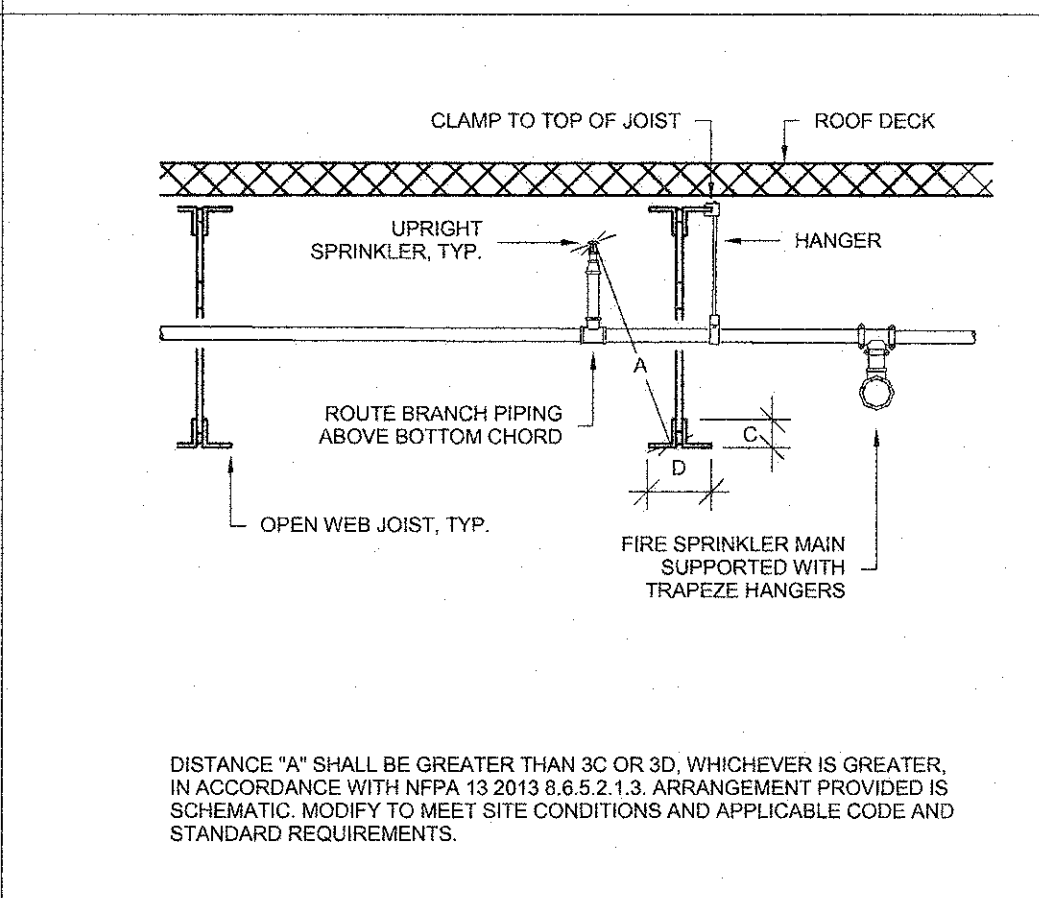
8 SEISMIC RISER BRACE  
NOT TO SCALE



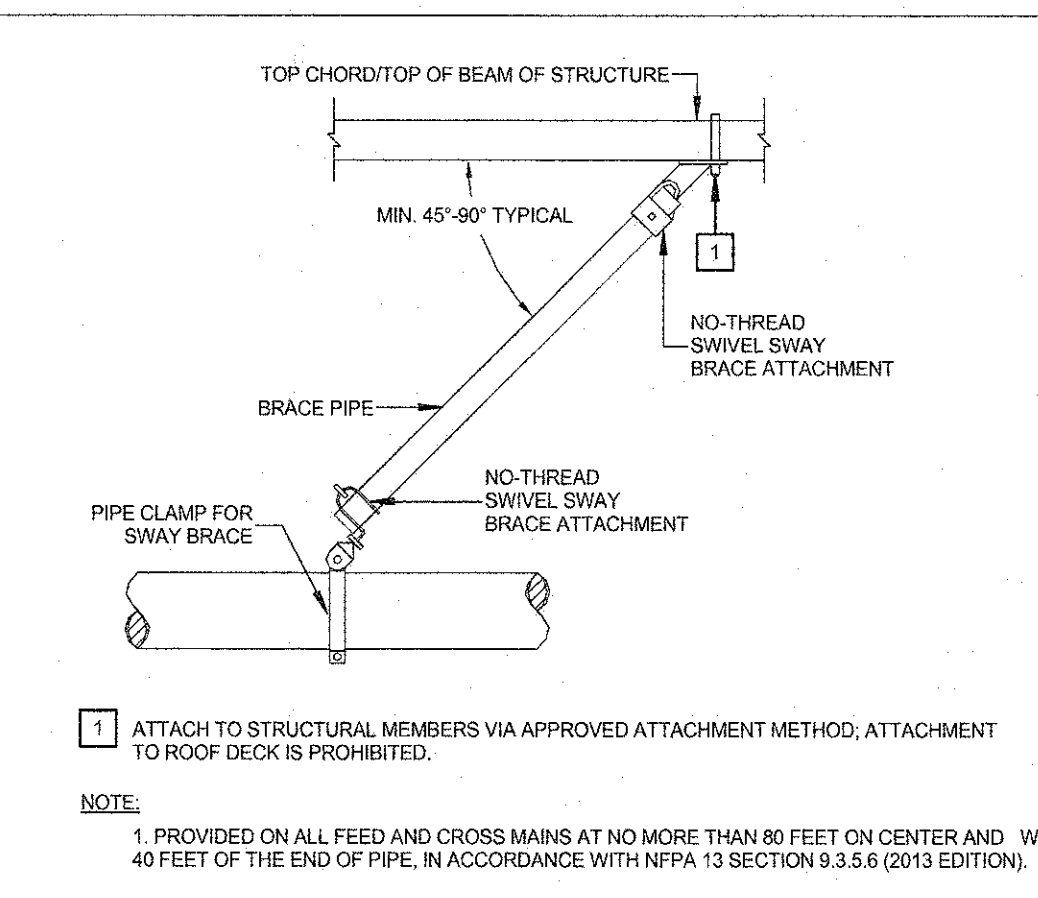
4 LATERAL SEISMIC BRACE  
NOT TO SCALE



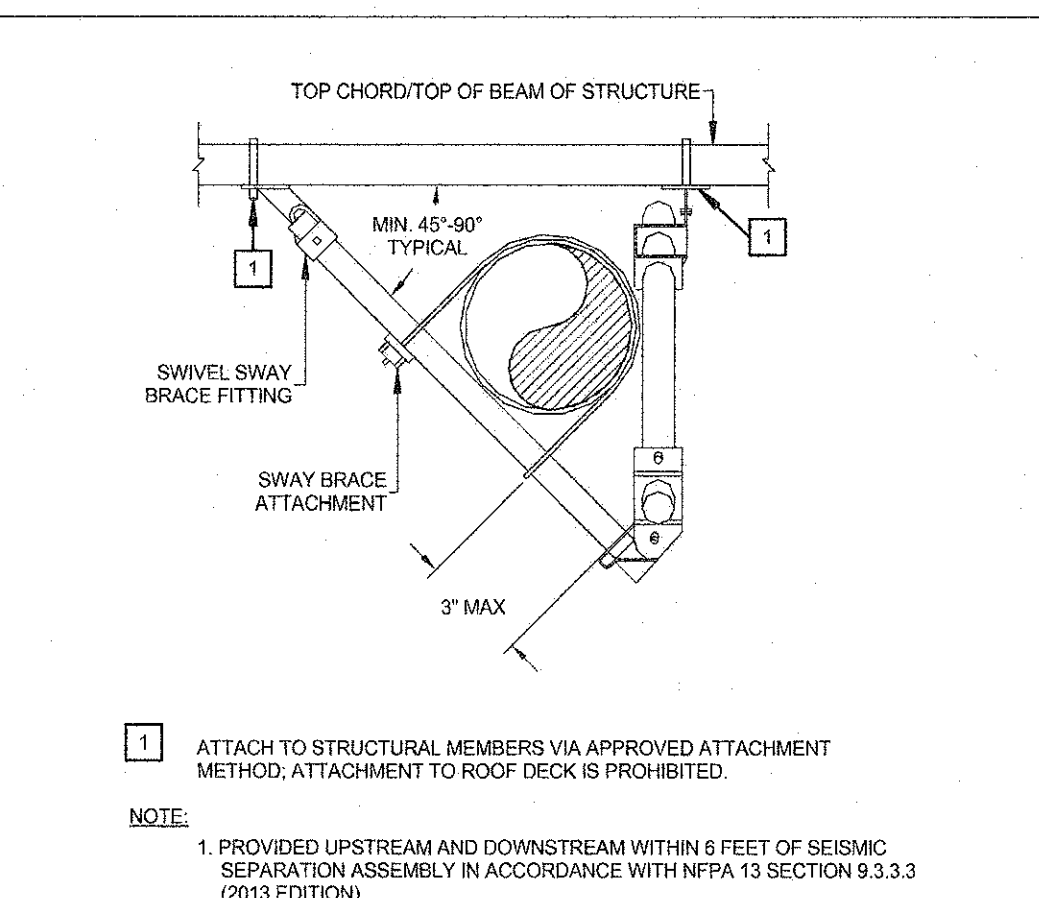
14 DRY - SIDEWALL SECTION  
NOT TO SCALE



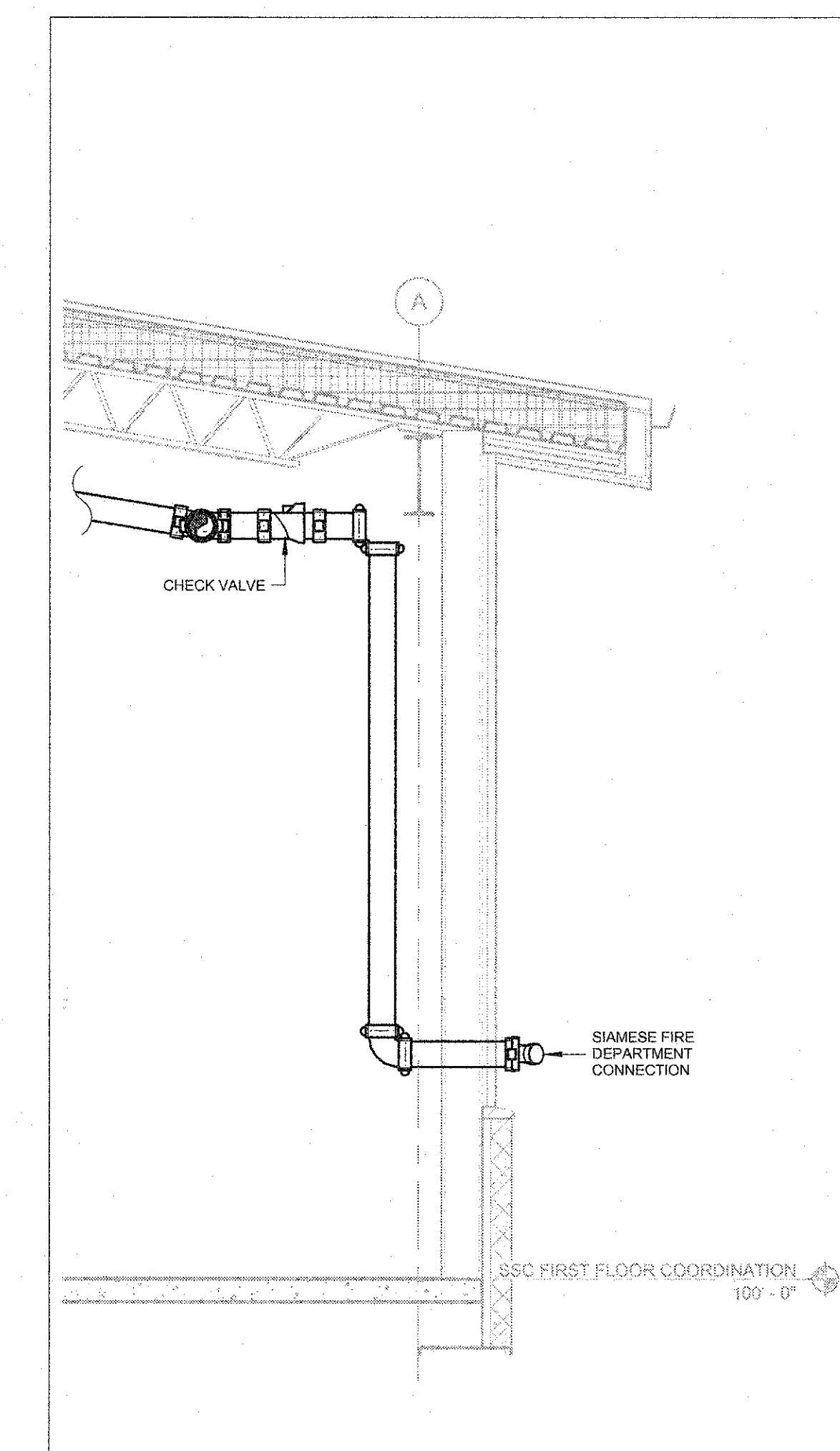
11 PIPE ROUTING IN OPEN WEB JOIST  
NOT TO SCALE



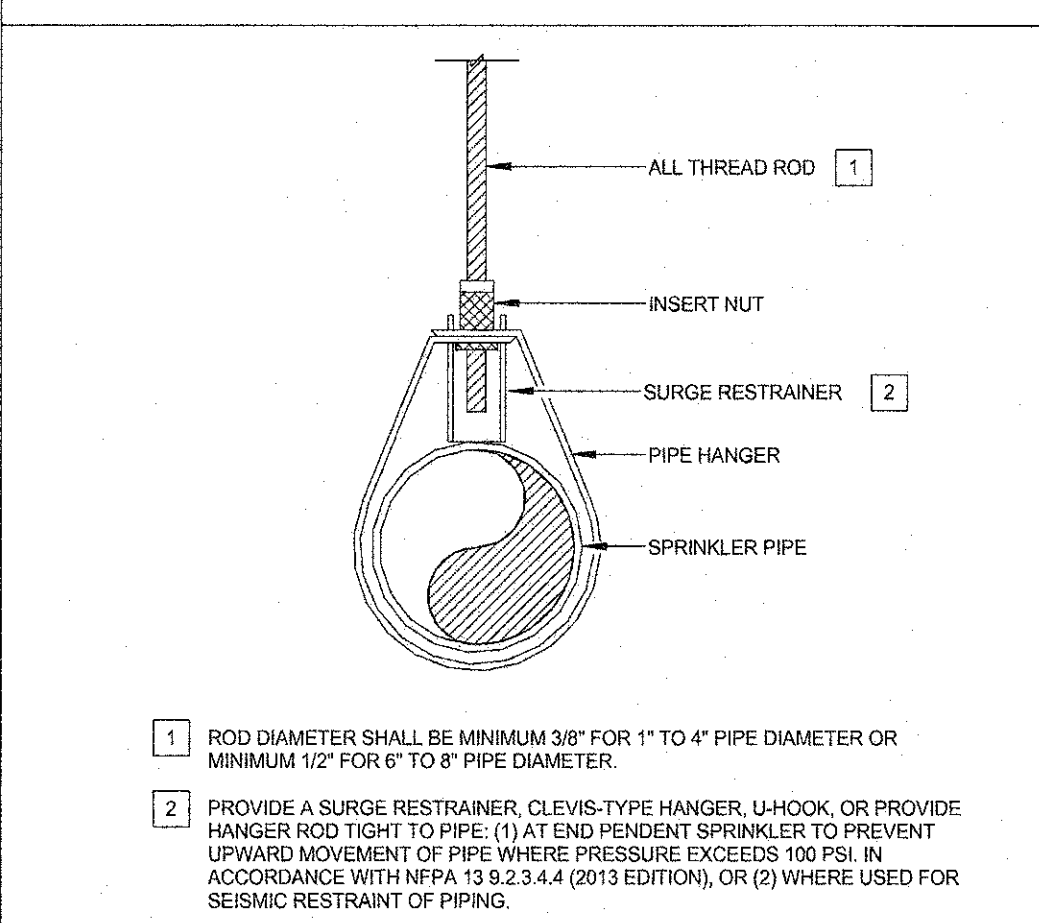
7 LONGITUDINAL SEISMIC BRACE  
NOT TO SCALE



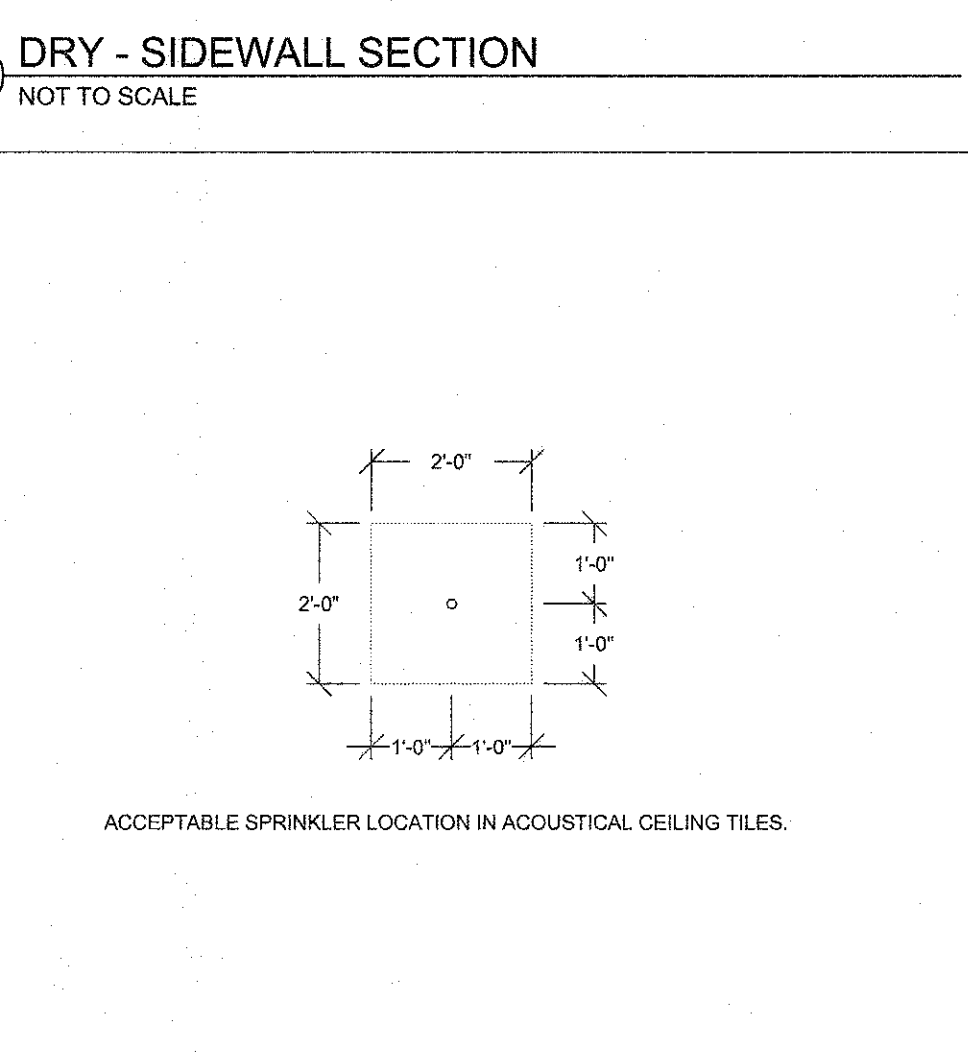
3 FOUR-WAY SEISMIC BRACE  
NOT TO SCALE



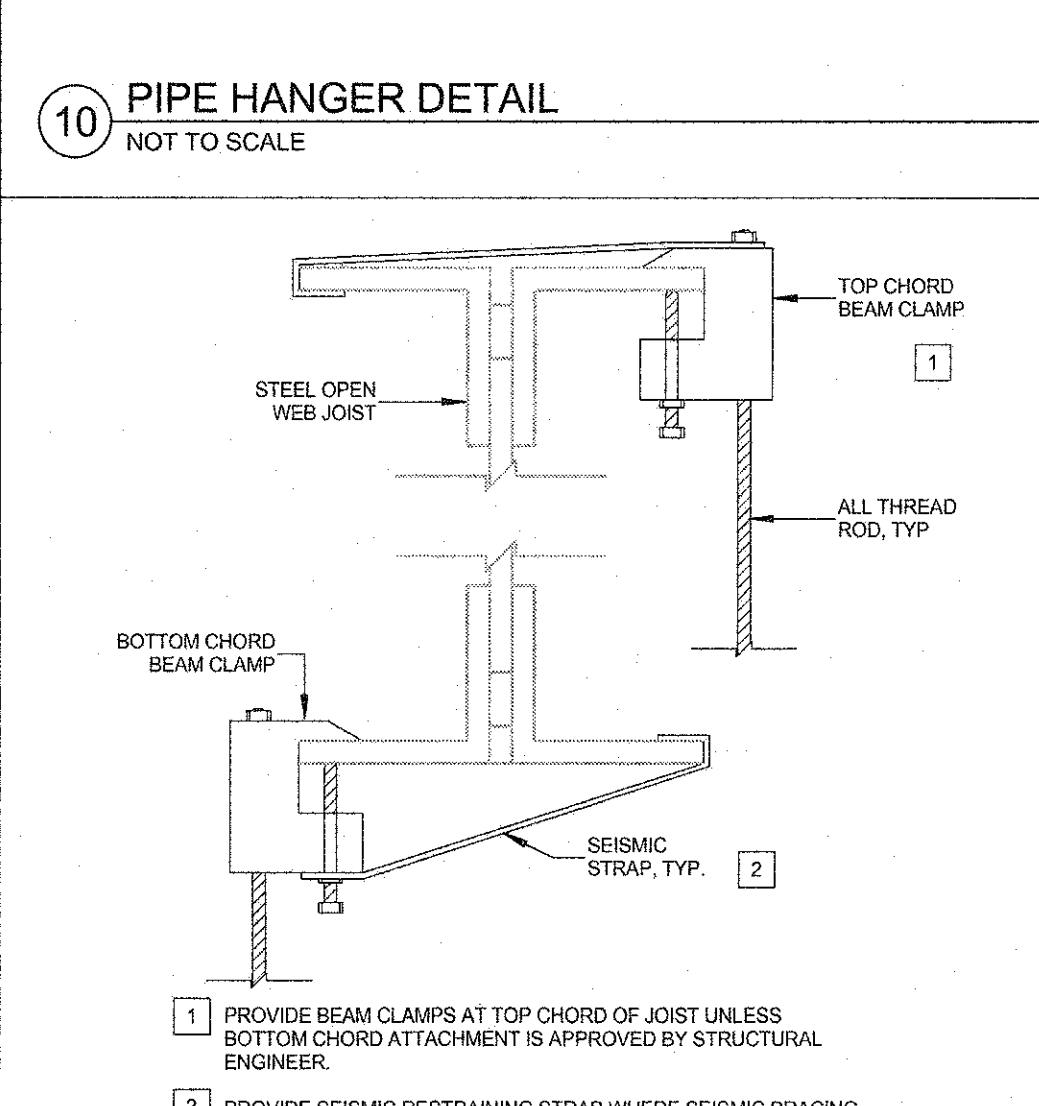
17 FIRE DEPARTMENT CONNECTION  
NOT TO SCALE



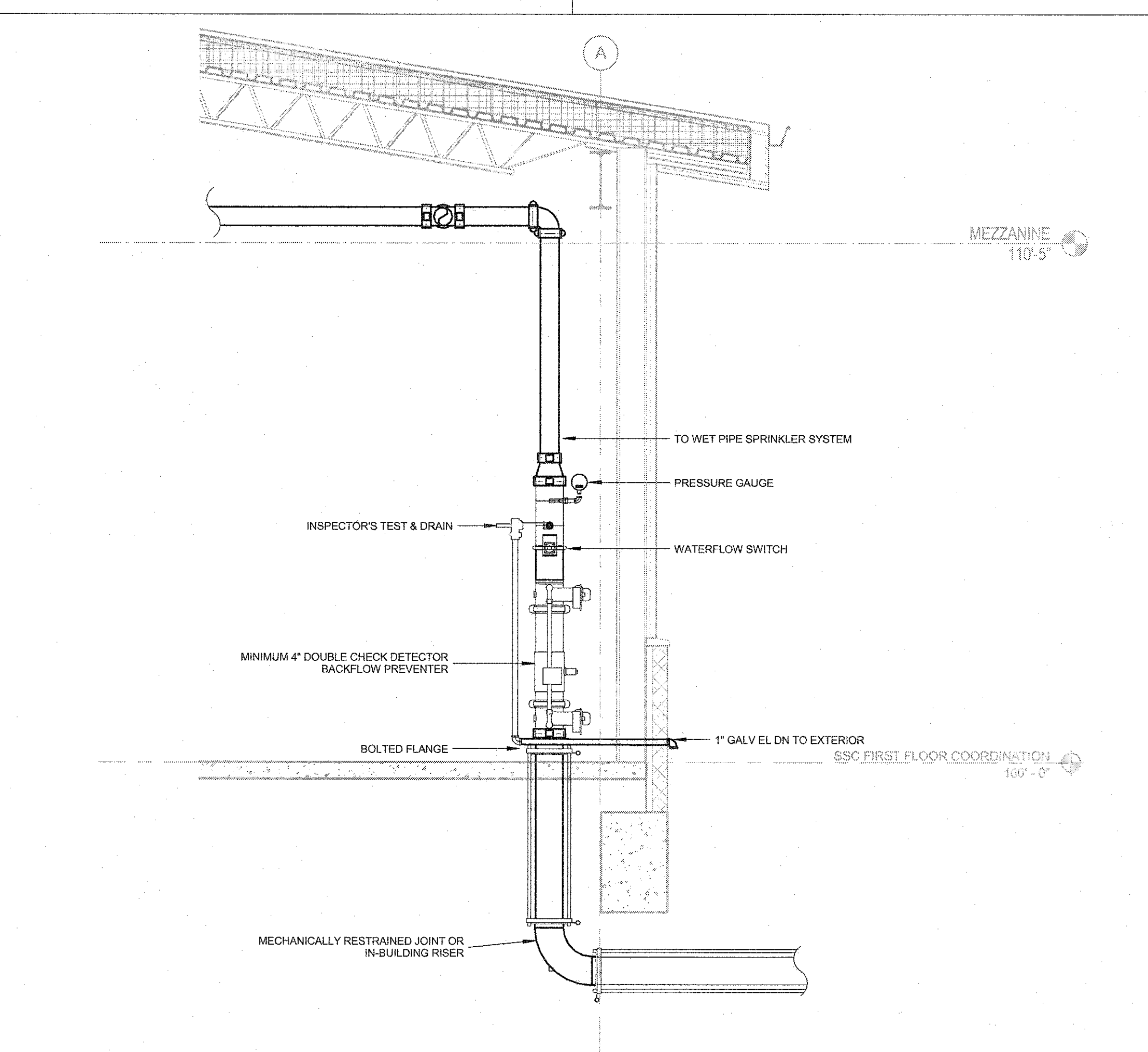
10 PIPE HANGER DETAIL  
NOT TO SCALE



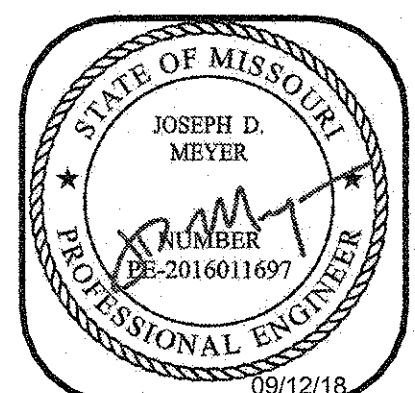
13 SPRINKLER 2x2 CEILING TILE  
NOT TO SCALE



9 STEEL ATTACHMENT DETAIL  
NOT TO SCALE



5 FIRE SPRINKLER RISER ASSEMBLY  
NOT TO SCALE



Joseph D Meyer  
PE-2016011697  
EXP: 12-31-2018

CENTRAL MISSOURI PROFESSIONAL SERVICES, INC.  
MISSOURI STATE CERTIFICATE OF AUTHORITY #  
SSC ENGINEERING, INC.  
MECHANICAL/ELECTRICAL/PLUMBING ENGINEER  
MISSOURI STATE CERTIFICATE OF AUTHORITY #001244  
SSC ENGINEERS, INC.  
STRUCTURAL ENGINEER  
MISSOURI STATE CERTIFICATE OF AUTHORITY #001244



FIRE PROTECTION  
DETAILS

MISSOURI SOYBEAN INNOVATION CENTER  
NEW OFFICE BUILDING  
734 S. COUNTRY CLUB DRIVE  
JEFFERSON CITY, MISSOURI

PROJECT NO. 1613  
DATE: Sept. 12, 2018

FP0.2

2017349 - BID/PERMIT SET - 09-12-18