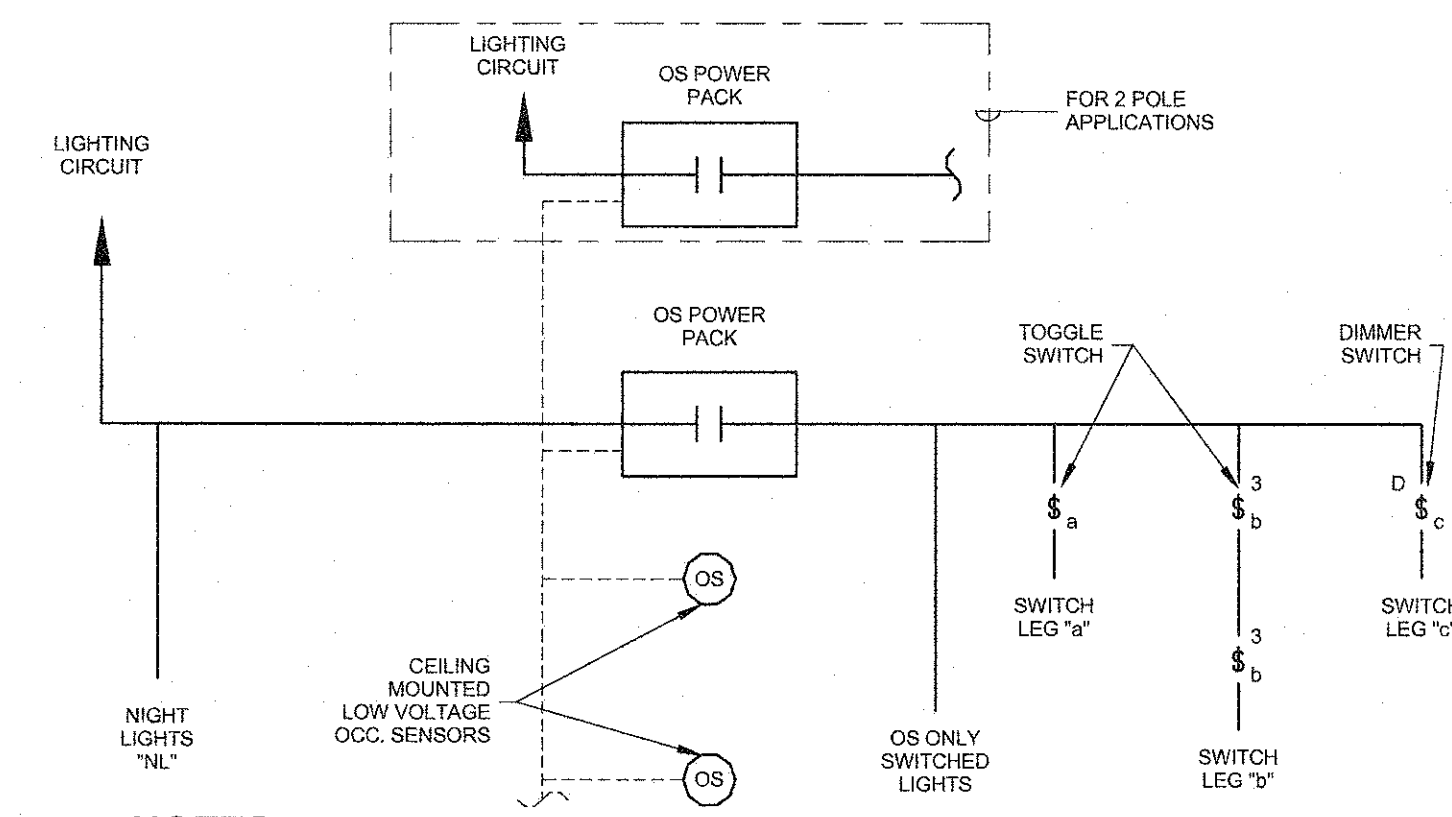


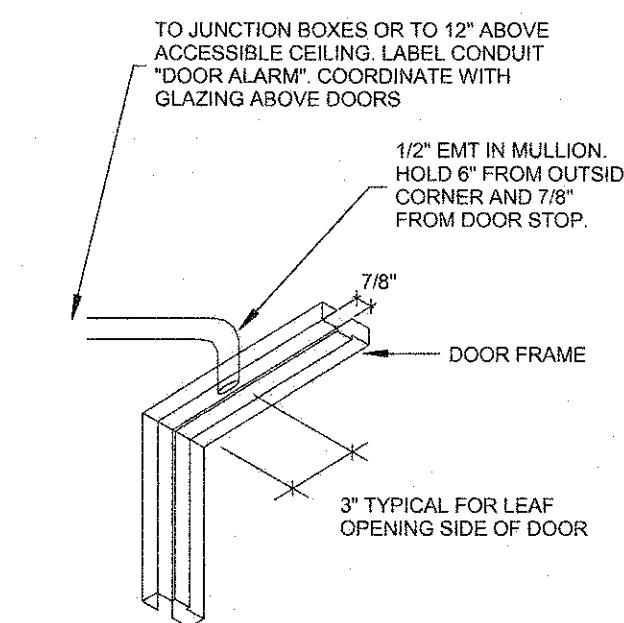
Lighting Fixture Schedule										
Type Mark	Manufacturer	Catalog No.	Voltage	Lamp Details			Mounting	Fixture Finish	Description	Apparent Load
				Lamp Type	Lamp	Included				
A	LUMEN FOCUS	FFL-24-MD-UV-FA-835	120V	LED	INCLUDED	LAY-IN CLG	WHITE	2'X4' LED LAY-IN FIXTURE WITH FROSTED ACRYLIC LENS 5844 LUMENS	46 VA	
B	LUMEN FOCUS	FFL-24-MD-UV-FA-835	120V	LED	INCLUDED	LAY-IN CLG	WHITE	2'X4' LED LAY-IN FIXTURE WITH FROSTED ACRYLIC LENS 4630 LUMENS	36 VA	
C	LUMEN FOCUS	FFL-22-MD-UV-FA-835	120V	LED	INCLUDED	LAY-IN CLG	WHITE	2'X2' LED LAY-IN FIXTURE WITH FROSTED ACRYLIC LENS 4655 LUMENS	37 VA	
D	LUMEN FOCUS	FFL-22-LV-UV-FA-835	120V	LED	INCLUDED	LAY-IN CLG	WHITE	2'X2' LED LAY-IN FIXTURE WITH FROSTED ACRYLIC LENS 3828 LUMENS	32 VA	
E	CORONET	LS1 LED UP/DN 4-35L-TG14-TG1-UNV-DB-W-AC-BW-SD	120V	LED	INCLUDED	SUSPENDED	WHITE	4' LINEAR FIXTURE WITH DIRECT AND INDIRECT LIGHTING MOUNTED 11' AFF 2820 LUMENS DOWN/ 2660 LUMENS UP	80 VA	
F	LITON	CH2RUB-D10CRNL228W-T35	120V	LED	INCLUDED	RECESSED CLG	WHITE	6" DOWNLIGHT 2200 LUMENS 90 CRI AIRTIGHT REFLECTOR	28 VA	
G	LITON	LCALD68320-870-DUN-T35-C90LPCMCJ120B	120V	LED	INCLUDED	CABLE	BLACK	6" CANNON DOWNLIGHT MOUNTED AT 10' AFF TO BOTTOM OF FIXTURE. 2600 LUMENS	29 VA	
H	LITON	LCALD68350-870-DUN-T35-C90LPCMCJ120B	120V	LED	INCLUDED	CABLE	BLACK	6" CANNON DOWNLIGHT MOUNTED AT 10' AFF TO BOTTOM OF FIXTURE. 3700 LUMENS	44 VA	
K	LUMEN FOCUS	ECL-N-4-MD-UV-FR-835-MW	120V	LED	INCLUDED	SUSPENDED	WHITE	SUSPENDED LINEAR LED FIXTURE 4000 LUMENS	28 VA	
L	OXYGEN LIGHTING	3-824-3524	120V	LED	INCLUDED	WALL	NICKEL	LED VANITY FIXTURE 1727 LUMENS SATIN NICKEL FINISH	28 VA	
M	OXYGEN LIGHTING	3-828-3524	120V	LED	INCLUDED	WALL	NICKEL	LED VANITY FIXTURE 2070 LUMENS SATIN NICKEL FINISH	31 VA	
N	LITON	LCALD48120-870JE-DUN-T35-C90LPCMCJ120B	120V	LED	INCLUDED	PENDANT	BLACK	4" CANNON LED FIXTURE 110 LUMENS. MOUNT AT 10' AFF	14 VA	
Q	LITON	DL360B-L20JE-DUN/T35	120V	LED	INCLUDED	SURFACE	BLACK	6" DOWNLIGHT WET LISTED LED FIXTURE 2200 LUMENS IP65	22 VA	
R	HUBBELL OUTDOOR	LNC2-18L-120-4K-070-4-U-BL-CS	120V	LED	INCLUDED	SURFACE	BLACK	LED EXTERIOR WALLPACK MOUNTED 10' AFG 4270 LUMENS IP65	45 VA	
S	TRUOL	TV1G-12-HD-35-4TY-T-TERM-CAPTY-T-FWR-SP-10	120V	LED	INCLUDED	SURFACE	BLACK	4' LED LINEAR WALL GRAZING FIXTURE MOUNTED AT 11' AFF 5236 LUMENS	48 VA	
SA	HUBBELL BEACON	(2) VPS-60L-136-4K-4W-UNV-A-BL-BCSSS-B-20-40-A-2-B4-BL-UL	208V	LED	INCLUDED	POLE	BLACK	TWO HEADED PARKING LIGHT LED FIXTURE 28604 LUMENS TOTAL	272 VA	
SB	HUBBELL BEACON	VPS-60L-136-4K-4W-UNV-A-BL-BCSSS-B-20-40-A-1-B4-BL-UL	208V	LED	INCLUDED	POLE	BLACK	PARKING LIGHT LED FIXTURE 14802 LUMENS	136 VA	
T	PROGRESS LIGHTING	P7005-30	120V	LED	INCLUDED	UNDERCABINET	WHITE	UNDERCABINET LED FIXTURE 425 LUMENS WITH ROCKER SWITCH AND LINKING CABLES	9 VA	
U	HUBBELL OUTDOOR	FSL-10L-25-4K-W-J-K-GR-S-302-FSL-V1SOR-GR	120V	LED	INCLUDED	CONDUIT	GREY	COMPACT LED FLOOD LIGHT 2463 LUMENS 6X6 DISTRIBUTION	25 VA	
V	SPI LIGHTING	AIP12096-L81WMAL-120-277V-3500K-MCE-DAH24-DID	120V	LED	INCLUDED	RECESSED CLG	ALUMINUM	METAL ACCENT RING LED WITH 2" DIAMETER MOUNTED AT 10' AFF 4795 LUMENS DIRECT/INDIRECT	81 VA	
W	SPI LIGHTING	AIP12094-L40WMAL-120-277V-3500K-MCE-DAH24-DID	120V	LED	INCLUDED	RECESSED CLG	ALUMINUM	METAL ACCENT RING LED WITH 1" DIAMETER MOUNTED AT 10' AFF 2368 LUMENS DIRECT/INDIRECT	45 VA	
X1	LITHONIA LIGHTING	LCM-S-W-3-R-120/277-ELN-SD	120V	LED	INCLUDED	-	WHITE	LED EXIT SIGN BATTERY POWERED, SELF-DIAGNOSTICS, PENDANT, WALL OR CEILING MOUNT PER PLAN'S	1 VA	

NOTES:  
1. REFER TO PLANS FOR QUANTITIES AND LOCATIONS OF LUMINAIRES WITH EMERGENCY BATTERY DRIVERS, DENOTED BY A SHADED FIXTURE. CONTRACTOR SHALL PROVIDE A SELF-TESTING 10W LED EMERGENCY DRIVER EQUIVALENT TO BODINE BSL310LPS1 IN AN ACCESSIBLE LOCATION. WITHIN 100 FEET OF THE EMERGENCY DRIVER, INSTALL THE TEST SWITCH IN A READILY ACCESSIBLE LOCATION.



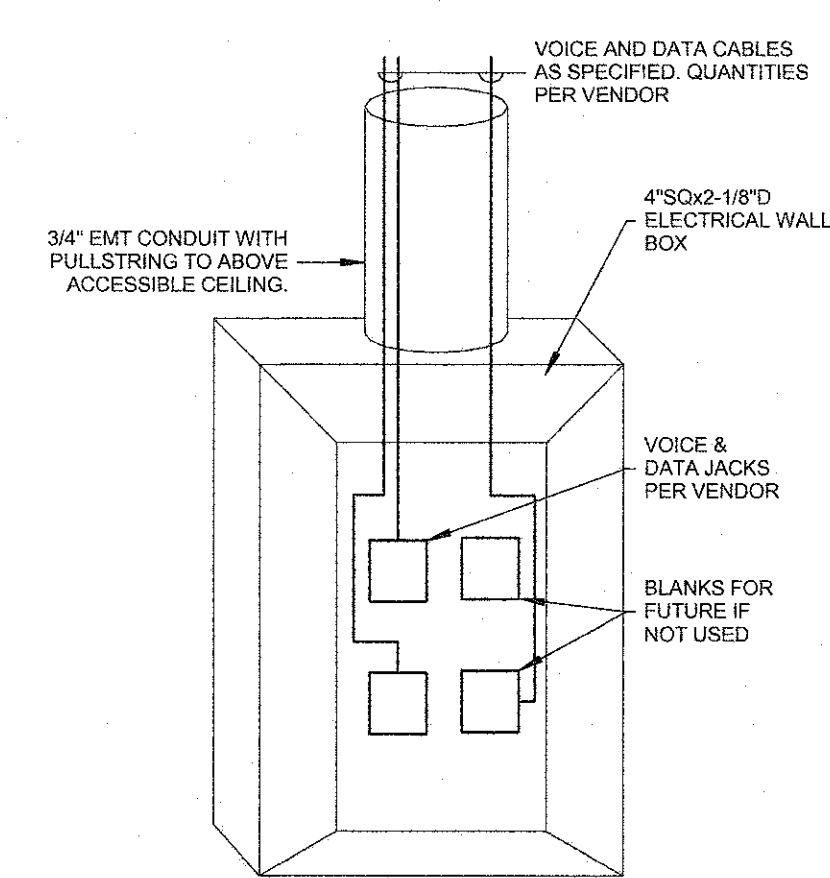
NOTES:  
1. REFER TO PLAN FOR CIRCUIT NUMBERS, SWITCH TYPES AND SWITCH IDENTIFICATION.  
2. COORDINATE WITH MANUFACTURER SPECIFICATIONS.

8 OCCUPANCY SENSOR SWITCHING DETAIL  
NOT TO SCALE

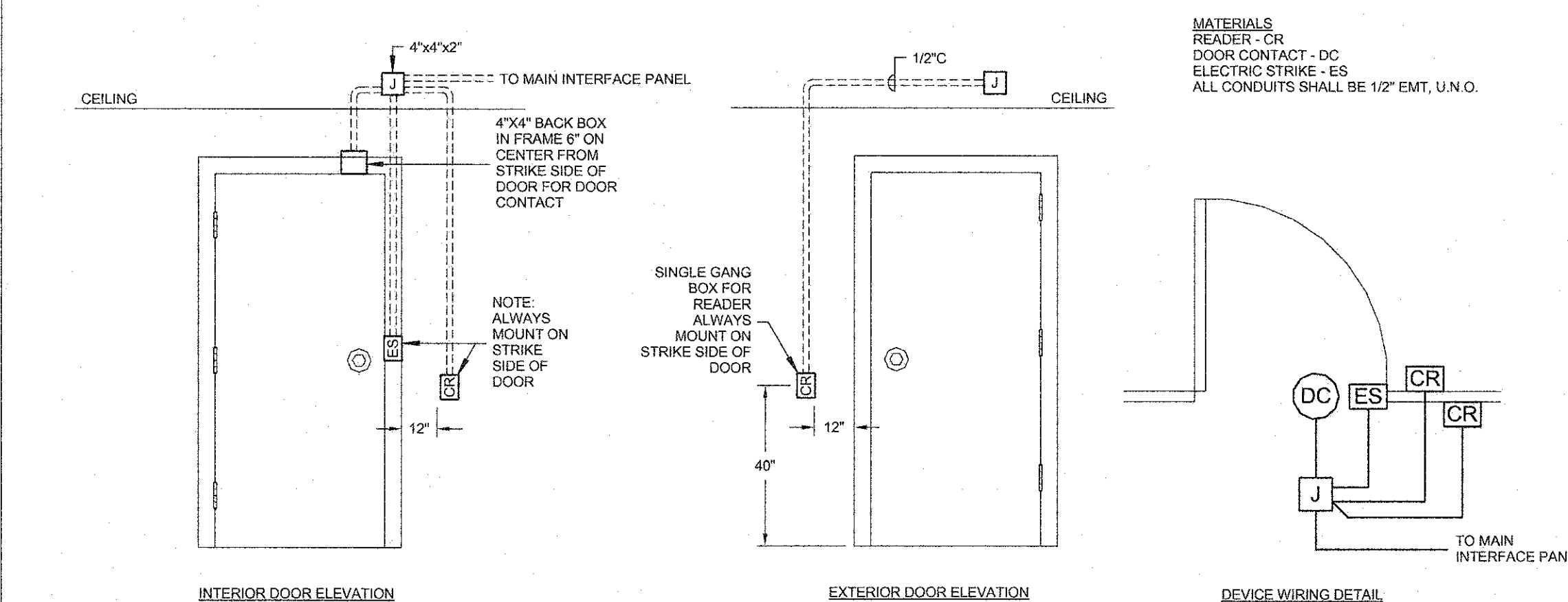


NOTES:  
1. ALARM CONTACTS ARE FLUSH TYPE, FLUSHED INTO FRAME.

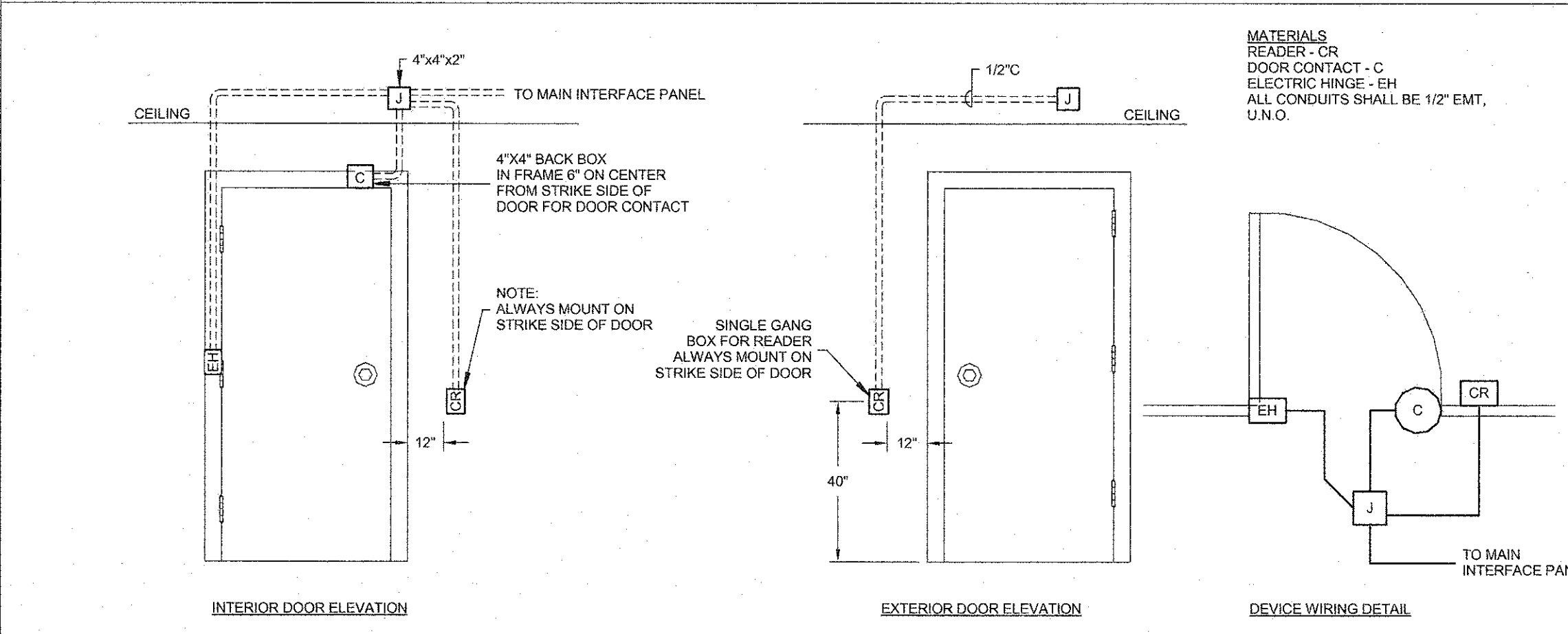
7 HEAD DETAIL  
NOT TO SCALE



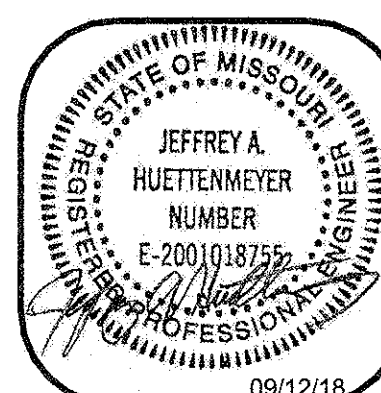
3 STANDARD VOICE/DATA COMMUNICATION BOX  
NOT TO SCALE



6 SINGLE ACCESS DOOR W/ELECTRIC STRIKE  
NOT TO SCALE



5 SINGLE ACCESS DOOR W/ELECTRIFIED HINGE & RQU MOTION  
NOT TO SCALE



Jeffrey A. Huettnermeier  
PE-2001018755

CENTRAL MISSOURI PROFESSIONAL SERVICES, INC.  
MISSOURI STATE CERTIFICATE OF AUTHORITY #  
SSC ENGINEERING, INC.  
MECHANICAL/ELECTRICAL/PLUMBING ENGINEER  
MISSOURI STATE CERTIFICATE OF AUTHORITY #001244  
SSC ENGINEERING, INC.  
STRUCTURAL ENGINEER  
MISSOURI STATE CERTIFICATE OF AUTHORITY #001244

The Architects Alliance inc.  
Missouri State Certificate of Authority # 000143  
631 West Main Street  
Jefferson City, Missouri  
(573) 636-5000 phone

ELECTRICAL  
DETAILS & LIGHT  
FIXTURE  
SCHEDULE

MISSOURI SOYBEAN INNOVATION CENTER  
NEW OFFICE BUILDING  
734 S. COUNTRY CLUB DRIVE  
JEFFERSON CITY, MISSOURI

PROJECT NO. 1613  
DATE: Sept. 12, 2018

E0.7

The Seal and Signature apply only to the Document to which they are Affixed, and Electronic Documents may be Responsible for all other Plans, Specifications, Estimates, intended to be used for any part or parts of the Document. Copyright © 2018 by SSC Engineering, Inc.

2017349 - BID/PERMIT SET - 09-12-18