

Jeffrey A. Huettnermeyer
PE-2001018755

CENTRAL MISSOURI PROFESSIONAL SERVICES, INC.
MISSOURI STATE CERTIFICATE OF AUTHORITY #
SSC ENGINEERING, INC.
MECHANICAL/ELECTRICAL/PLUMBING ENGINEER
MISSOURI STATE CERTIFICATE OF AUTHORITY #001244
SSC ENGINEERING, INC.
MISSOURI STATE CERTIFICATE OF AUTHORITY #001244

The Architects Alliance inc.
Missouri State Certificate of Authority # 000143
631 West Main Street
Jefferson City, Missouri
(573) 636-5000 phone

ELECTRICAL FIRE ALARM, PA & SECURITY PLAN

MISSOURI SOYBEAN INNOVATION CENTER
NEW OFFICE BUILDING
734 S. COUNTRY CLUB DRIVE
JEFFERSON CITY, MISSOURI

PROJECT NO. 1613
DATE: Sept. 12, 2018

E3.1

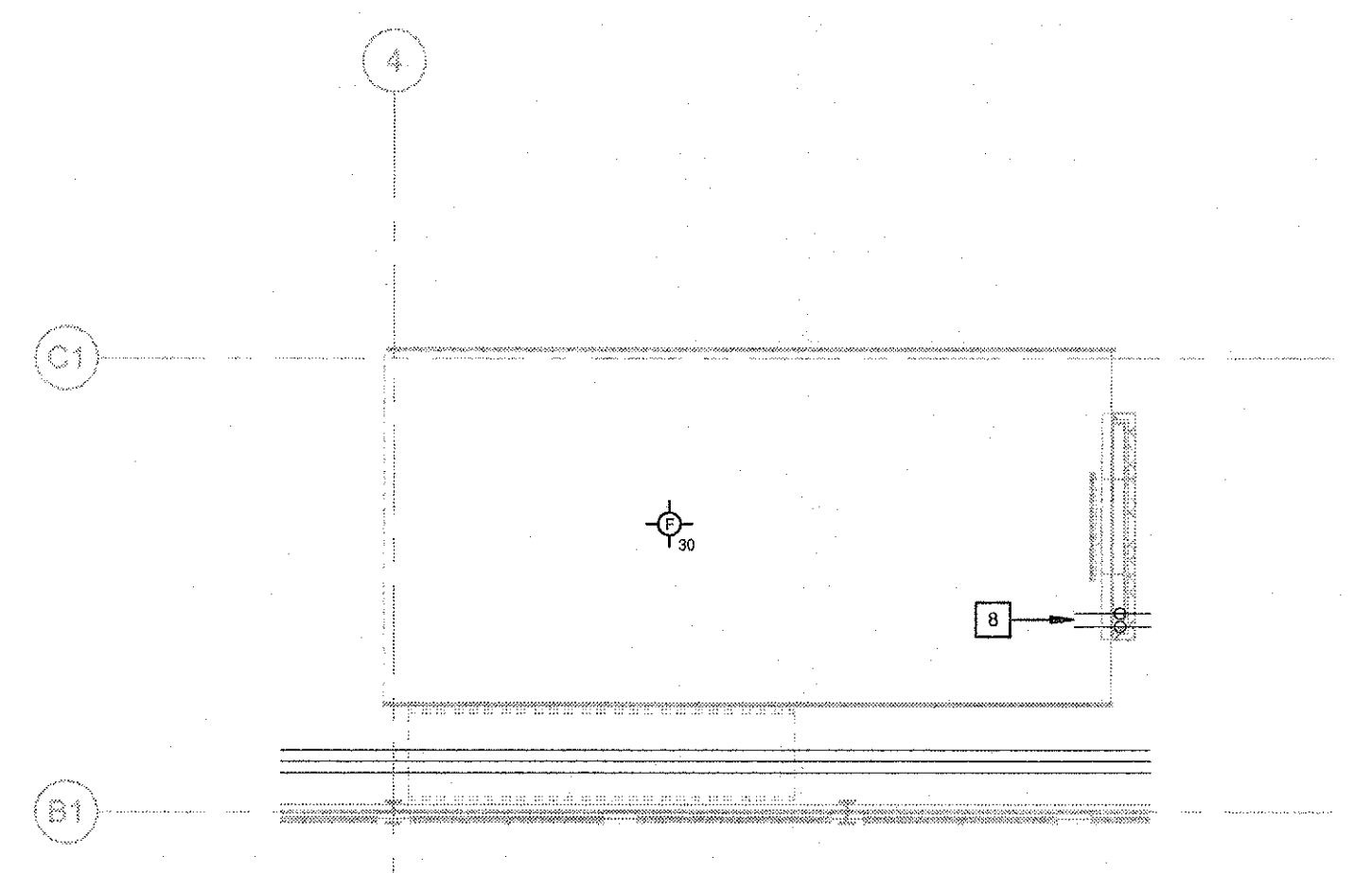
2017349 - BID/PERMIT SET - 09-12-18

ELECTRICAL GENERAL NOTES:

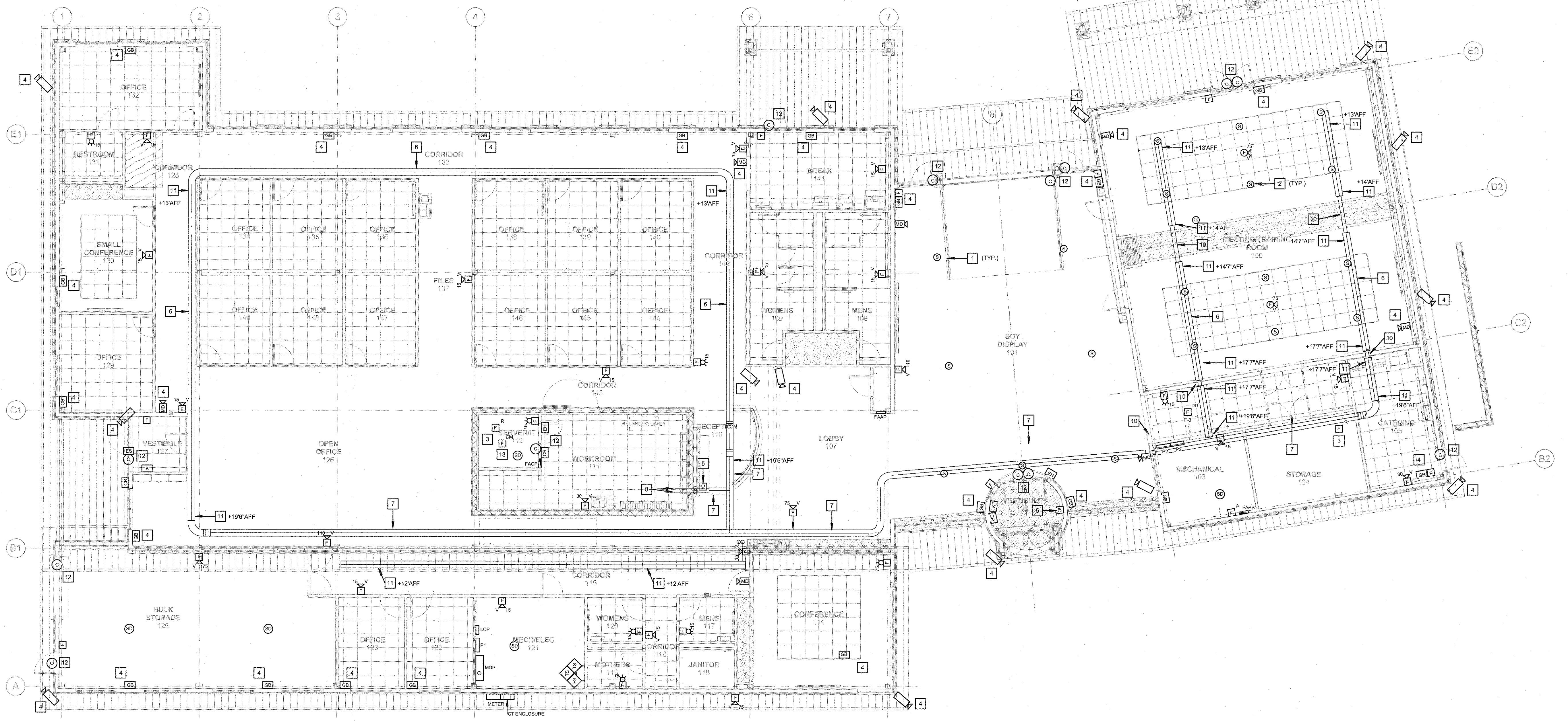
- REFER TO SHEET E0.1 FOR SYMBOLS, ABBREVIATIONS AND GENERAL CONSTRUCTION NOTES.
- ALL MECHANICAL, ELECTRICAL, PLUMBING, FIRE PROTECTION, AND HVAC WORK SHALL BE COORDINATED BY THE CONTRACTOR DOING THE WORK. ANY CORRECTIONS TO ANY OF THE ABOVE SHALL BE AT THAT CONTRACTOR'S EXPENSE.
- REFER TO ELECTRICAL DETAILS SHEET(S) FOR ADDITIONAL ACCESS CONTROL, SECURITY & VIDEO SURVEILLANCE ROUGH-IN REQUIREMENTS.
- PROVIDE 120V POWER FOR DOOR ACCESS CONTROL AND SECURITY DEVICES AS REQUIRED. COORDINATE WITH DOOR HARDWARE INSTALLER AND OWNER'S DESIGN BUILD CONTRACTOR.
- THE FA CONTRACTOR SHALL PROVIDE SIGNED AND SEALED FA SHOP DRAWINGS AS OUTLINED IN THE ELECTRICAL SPECIFICATIONS, INCLUDING BUT NOT LIMITED TO WIRING DIAGRAMS, BATTERY CALCULATIONS, FINAL DEVICE LAYOUT, ETC.
- ROUTE ALL OVERHEAD CONDUIT TIGHT TO UNDERSIDE OF ROOF DECK OR TRUSSES. CONDUITS SHALL RUN PARALLEL OR PERPENDICULAR TO BUILDING STRUCTURE.
- OWNER HAS CONTRACTED WITH A SEPARATE LOW VOLTAGE CONTRACTOR OUTSIDE OF THIS CONTRACT FOR VOICEDATA, AV, BURGLAR ALARM, ACCESS CONTROL, VIDEO SURVEILLANCE & INTERCOM SYSTEMS.
- PROVIDE (2) 4" CONDUITS WITH PULL STRINGS AND INSULATED BUSHINGS FROM CABLE TRAY DOWN VERTICALLY IN WALL CHASE OR MEZZANINE, INTO CEILING SPACE OF WORKROOM 111 AND ABOVE RACK IN SERVERIT 112. CONDUITS SHALL BE USED TO ROUTE VOICE/DATA CABLES BETWEEN MDF RACK AND CABLE TRAYS.
- PROVIDE (2) 2" CONDUITS WITH PULL STRINGS AND INSULATED BUSHINGS FROM CABLE TRAY IN LOWER CEILING, UP ALONG COLUMN B1-B TO CABLE TRAY IN HIGH CEILING. CONDUITS SHALL BE USED TO ROUTE VOICE/DATA CABLES BETWEEN CABLE TRAYS.
- PROVIDE (2) 4" CONDUITS WITH PULL STRINGS AND HILTI SPEED SLEEVE CP83 THROUGH DRYWALL PARTITION ABOVE OPERABLE PARTITION BETWEEN CABLE TRAYS, ADJUST SLEEVE TO TIGHTEN AROUND INSTALLED CABLES AND MINIMIZE NOISE TRANSMISSION.
- ELEVATION INDICATED HERE IS THE ELEVATION OF THIS END OF THE CABLE TRAY. TRAY SLOPES TO ROUGHLY FOLLOW ROOF SLOPE.
- PROVIDE ROUGH-INS FOR ACCESS CONTROL SYSTEM PROVIDED BY OWNER'S VENDOR. PROVIDE BOXES, CONDUITS, PULL STRINGS, POWER AND PATHWAYS AS REQUIRED. REFER TO DETAILS ON E0.7.
- PROVIDE FIRE ALARM CONTROL MODULE TO RELEASE DOOR LOCKS UPON FIRE ALARM ACTIVATION.

ELECTRICAL KEYED NOTES:

- OVERHEAD SOUND REINFORCING SPEAKERS ROUGH-IN. TIE IN BACK AT AV CLOSET FOR SOY DISPLAY ROOM.
- OVERHEAD SOUND REINFORCING SPEAKERS ROUGH-IN. TIE IN BACK AT AV CLOSET FOR MEETING/TRAINING ROOM.
- PROVIDE FIRE ALARM RELAY FOR INTERCONNECTION WITH AV SYSTEM TO MUTE AUDIO OUTPUT UPON FIRE ALARM. COORDINATE WITH OWNER'S AV VENDOR.
- PROVIDE ROUGH-IN FOR VIDEO SURVEILLANCE CAMERA, BURGLAR ALARM DEVICE OR OTHER DEVICES AND EQUIPMENT TO BE PROVIDED BY OWNER'S LOW VOLTAGE VENDOR. PROVIDE 1-GANG RECESSED BOX WITH 3/4" CONDUIT, INSULATED BUSHING AND PULL STRING TO ABOVE ACCESSIBLE CEILING OR NEAREST CABLE TRAY. COORDINATE EXACT LOCATIONS AND REQUIREMENTS WITH APPLICABLE TRADES.
- VIDEO INTERCOM STATION ROUGH-INS. EQUIPMENT BY OWNER'S VENDOR. PROVIDE 1" C BETWEEN IC BOXES AND TO ELECTRIFIED HARDWARE OF DOOR 101A FOR REMOTE RELEASE.
- PROVIDE 2"X12" WIRE MESH TYPE CABLE TRAY AT 13' AFF. UNO. SUPPORT TRAY FROM WALL BRACKETS OR DOUBLE THREADED RODS AND TRAPEZE.
- PROVIDE 4"X12" WIRE MESH TYPE CABLE TRAY AT 19'-6" AFF. SUPPORT TRAY FROM WALL BRACKETS OR DOUBLE THREADED RODS AND TRAPEZE.



ELECTRICAL MEZZANINE FIRE ALARM, SECURITY & PA PLAN
SCALE: 1/8" = 1'-0"
NORTH



ELECTRICAL FIRE ALARM, SECURITY & PA PLAN
SCALE: 1/8" = 1'-0"
NORTH

The Seal and Signature apply only to the Document to which they are Affixed, and Excludes Decisions and Responsibility for all other Plans, Specifications, Estimates, intended to be used for any part or parts of the work herein. © 2018 by SSC Engineering, Inc.