

CENTRAL MISSOURI PROFESSIONAL SERVICES, INC.
 CIVIL ENGINEER
 MISSOURI STATE CERTIFICATE OF AUTHORITY # 001568

SSC ENGINEERING, INC.
 MECHANICAL/ELECTRICAL/PLUMBING ENGINEER
 MISSOURI STATE CERTIFICATE OF AUTHORITY # 001244

SSC ENGINEERING, INC.
 STRUCTURAL ENGINEER
 MISSOURI STATE CERTIFICATE OF AUTHORITY # 001244

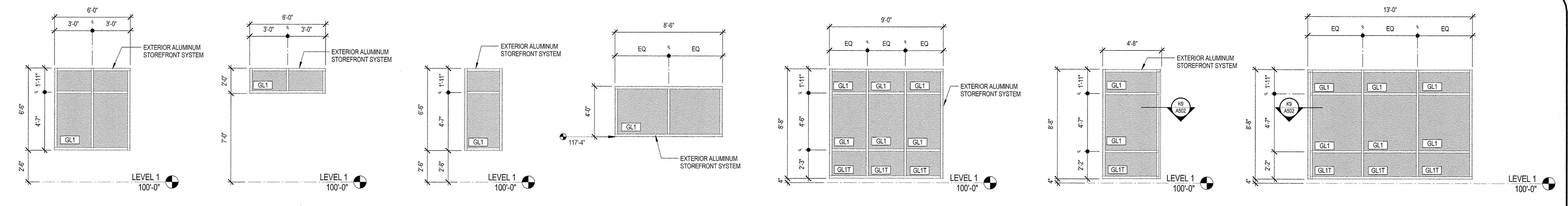
The Architects Alliance inc.
 Missouri State Certificate of Authority # 000143
 631 West Main Street
 Jefferson City, Missouri
 (573) 636-5000 phone

EXTERIOR STOREFRONT AND WINDOW DETAILS

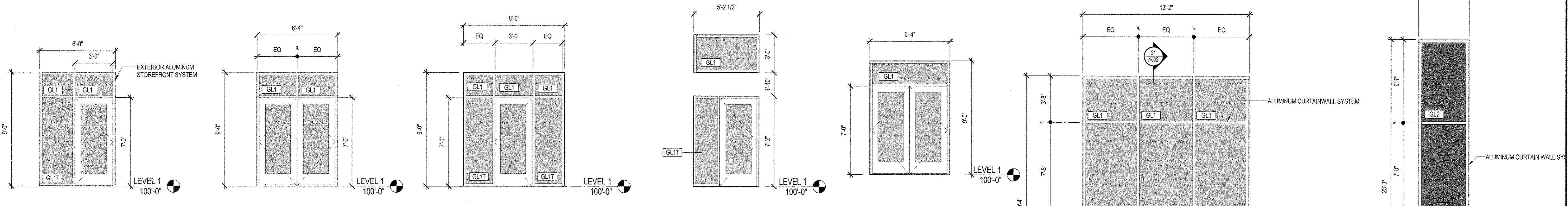
**MISSOURI SOYBEAN INNOVATION CENTER
 NEW OFFICE BUILDING**
 734 S. COUNTRY CLUB DRIVE
 JEFFERSON CITY, MISSOURI

PROJECT NO. 1613
 DATE: OCT. 09, 2018

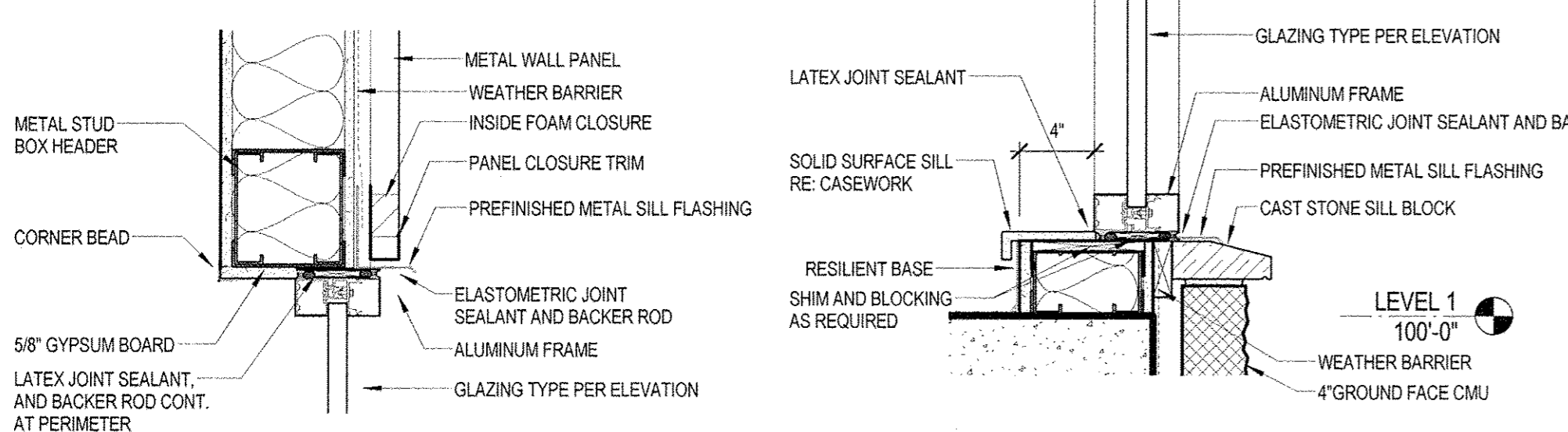
A502



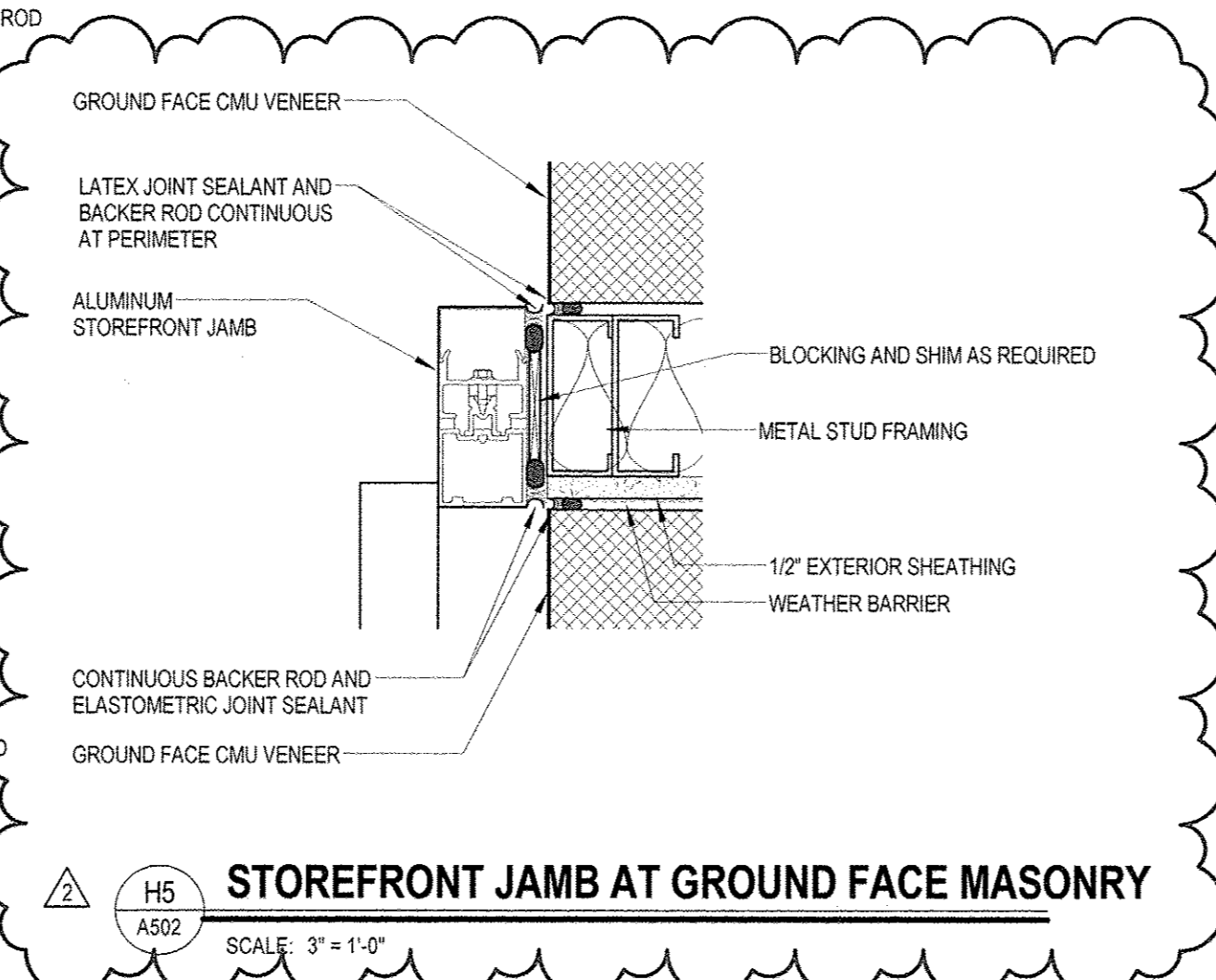
B1 STOREFRONT 'A' SCALE: 1/4" = 1'-0"
B5 STOREFRONT 'B' SCALE: 1/4" = 1'-0"
B7 STOREFRONT 'C' SCALE: 1/4" = 1'-0"
B10 STOREFRONT 'D' SCALE: 1/4" = 1'-0"
B12 STOREFRONT 'E' SCALE: 1/4" = 1'-0"
B15 STOREFRONT 'F' SCALE: 1/4" = 1'-0"
B18 STOREFRONT 'F' SCALE: 1/4" = 1'-0"



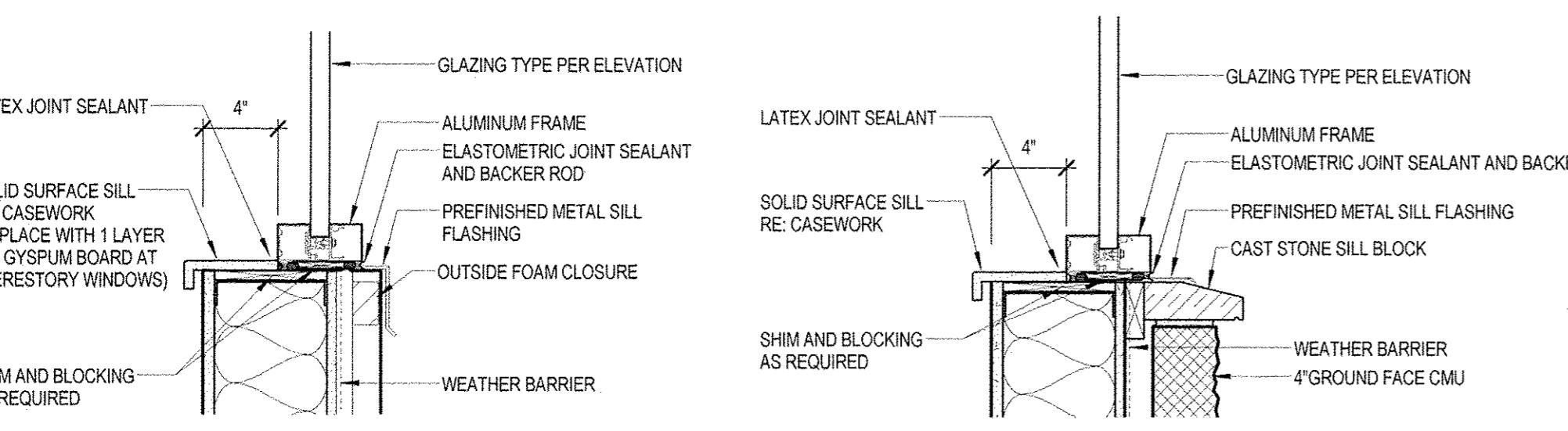
E1 STOREFRONT 'G' SCALE: 1/4" = 1'-0"
E5 STOREFRONT 'H' SCALE: 1/4" = 1'-0"
E8 STOREFRONT 'J' SCALE: 1/4" = 1'-0"
E11 STOREFRONT 'K' SCALE: 1/4" = 1'-0"
E13 STOREFRONT 'L' SCALE: 1/4" = 1'-0"
12 CURTAIN WALL 'M' SCALE: NO SCALE
13 CURTAIN WALL 'N' SCALE: NO SCALE



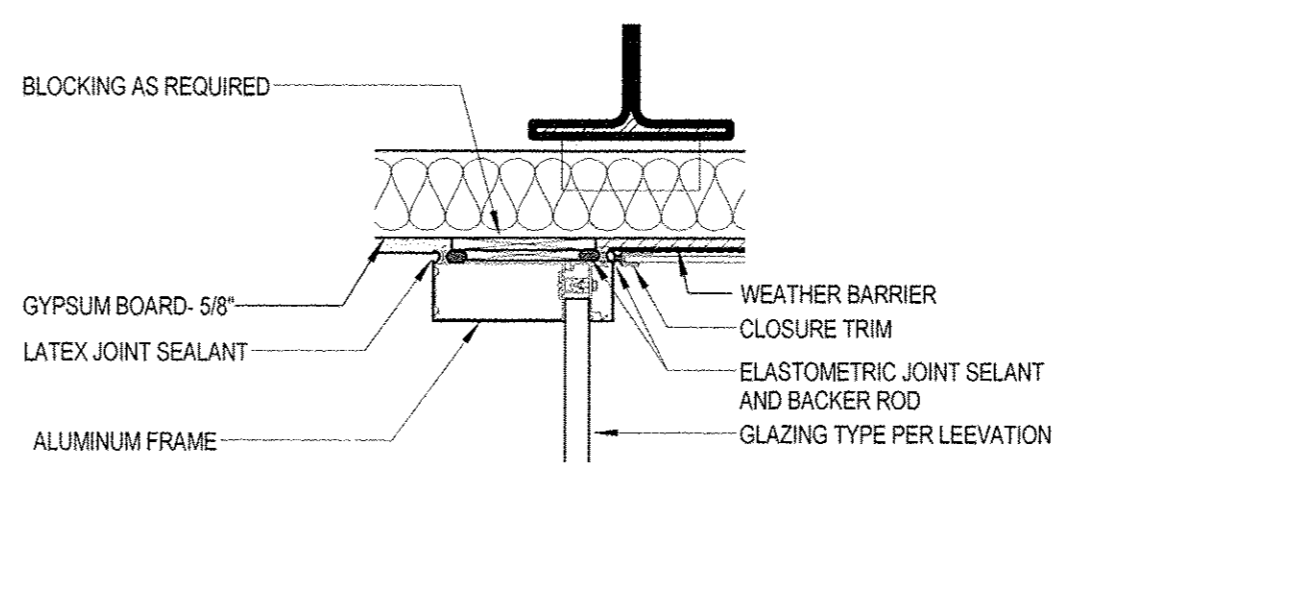
F2 STOREFRONT HEAD AT MWP SCALE: 1 1/2" = 1'-0"
F6 STOREFRONT SILL SCALE: 1 1/2" = 1'-0"



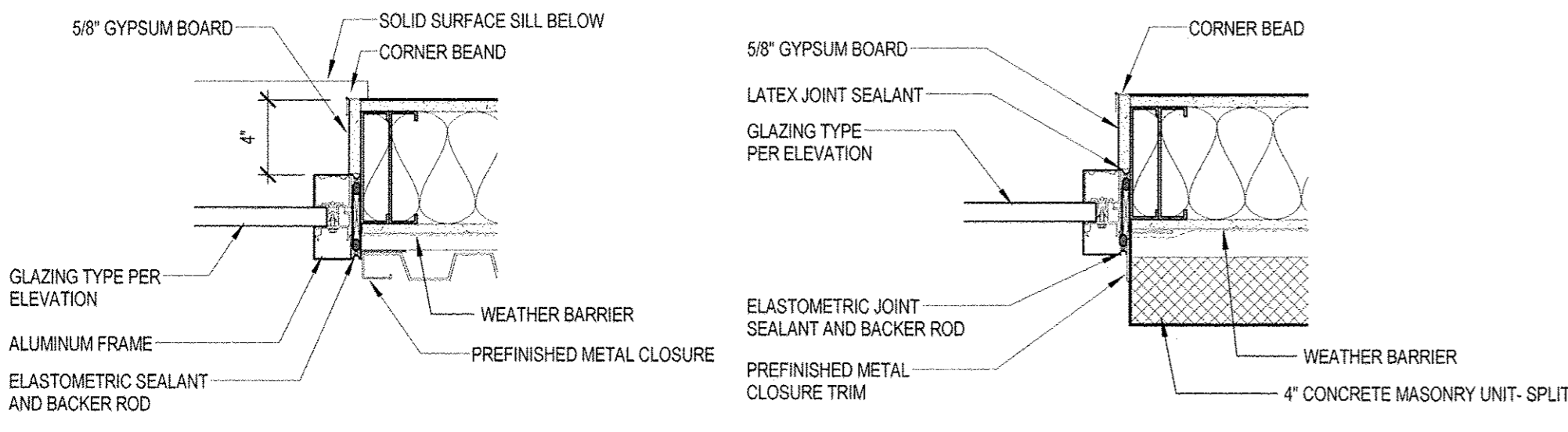
H5 STOREFRONT JAMB AT GROUND FACE MASONRY SCALE: 3" = 1'-0"



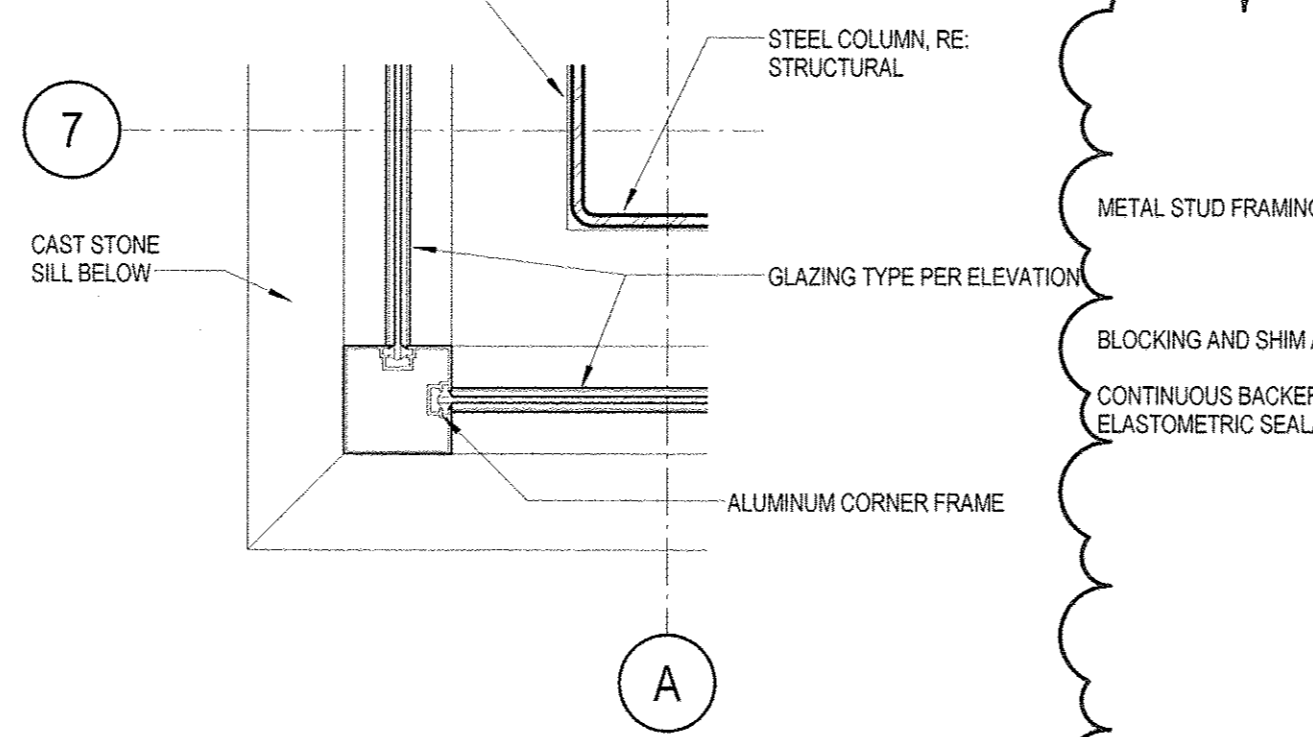
H2 STOREFRONT SILL AT MWP SCALE: 1 1/2" = 1'-0"
H6 STOREFRONT SILL SCALE: 1 1/2" = 1'-0"



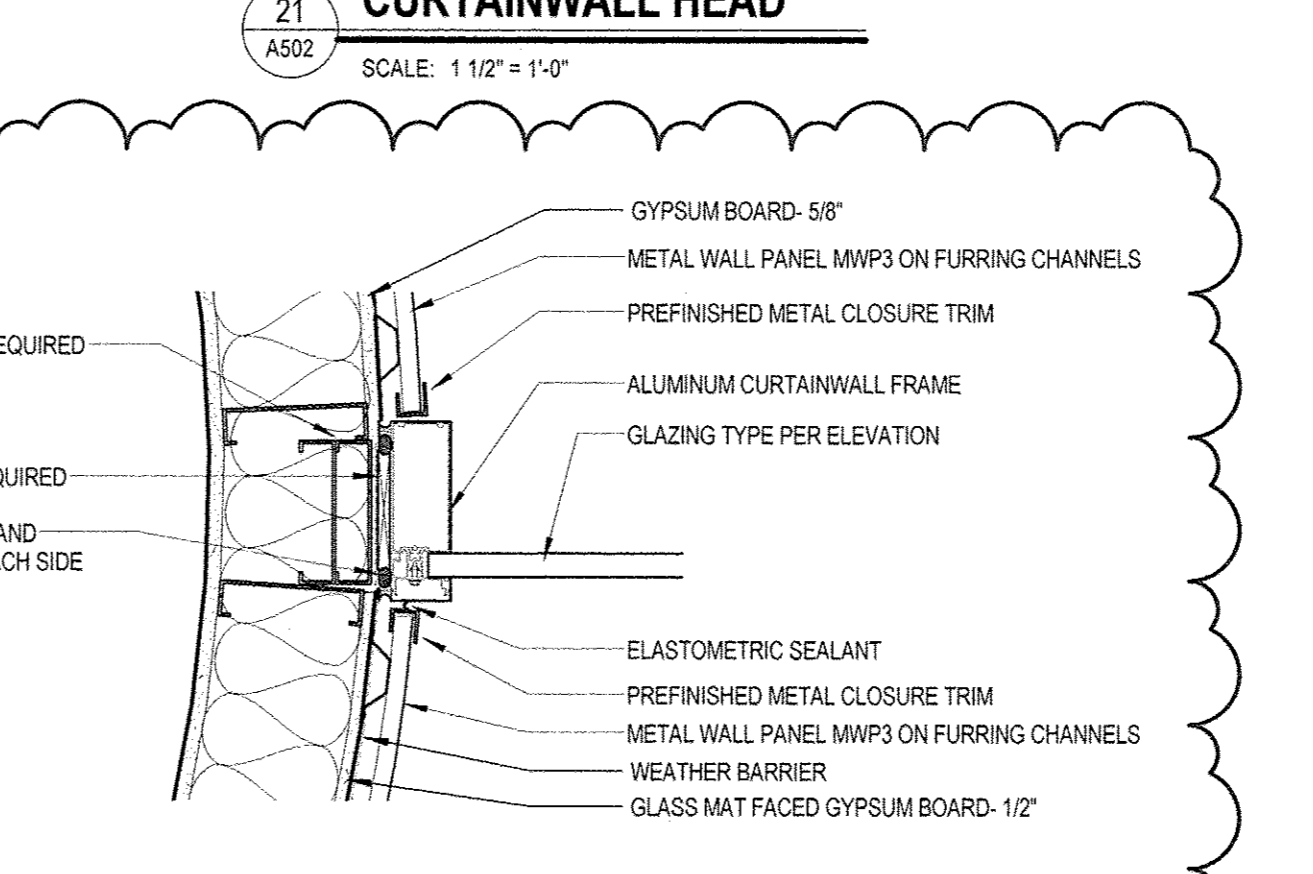
21 CURTAINWALL HEAD SCALE: 1 1/2" = 1'-0"



K2 STOREFRONT JAMB AT MWP SCALE: 1 1/2" = 1'-0"
K6 STOREFRONT JAMB AT MASONRY SCALE: 1 1/2" = 1'-0"



K9 CORNER MULLION DETAIL SCALE: 1 1/2" = 1'-0"



K13 CURTAINWALL JAMB AT RADIUSED WALL SCALE: 1 1/2" = 1'-0"

ADDENDUM NO. 1- 10/5/18
 ADDENDUM NO. 2- 10/9/18