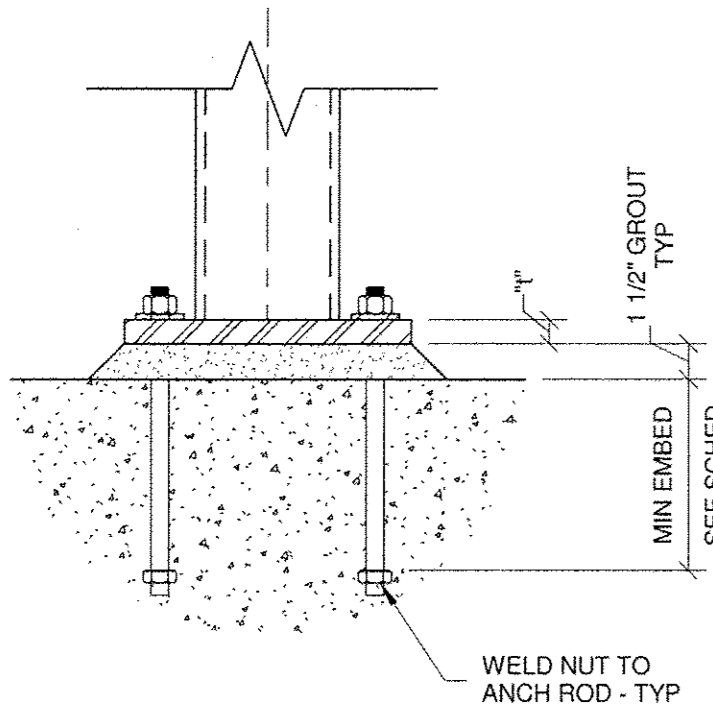


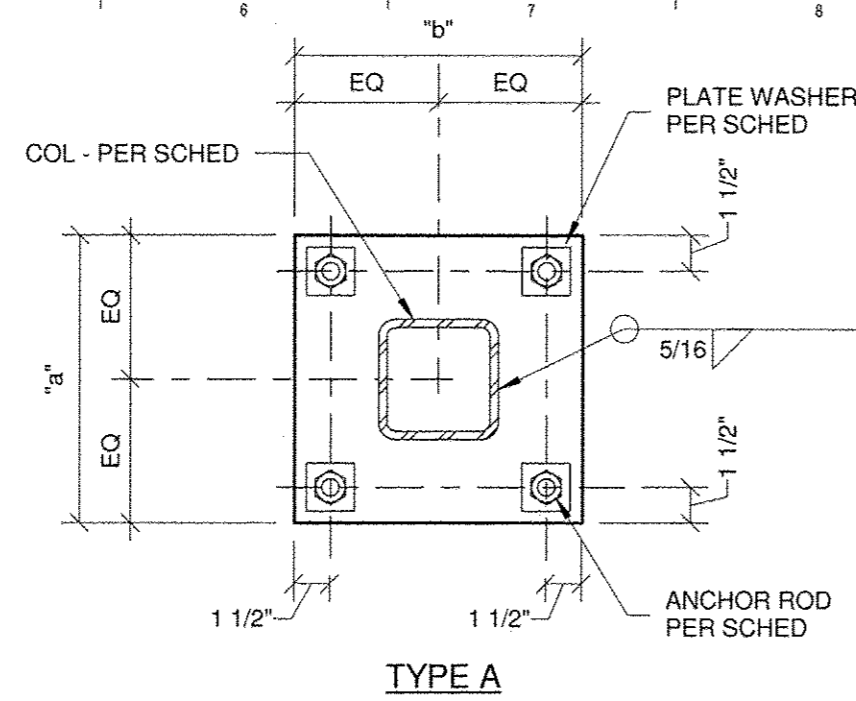
BASE PLATE SCHEDULE					
BASE PLATE TYPE	BASE PLATE SIZE "a" x "b" x "t"	ANCHOR RODS (QUANTITY x DIA)	PLATE WASHERS	MIN EMBED	PLATE DETAIL
BP-1	12"x12"x1"	(4)-3/4"Ø	2"x2"x1/4"	9"	A
BP-2	14"x14"x1 1/2"	(4)-3/4"Ø	2"x2"x1/4"	9"	A
BP-3	18"x18"x1 1/2"	(4)-3/4"Ø	2"x2"x1/4"	9"	B
BP-4	10x10x3/4"	(4)-3/4"Ø	2"x2"x1/4"	9"	A
BP-5	6x12x3/4"	(2)-3/4"Ø	2"x2"x1/4"	9"	C

UNO ALL ANCHOR RODS TO BE F1554 (GR 36)

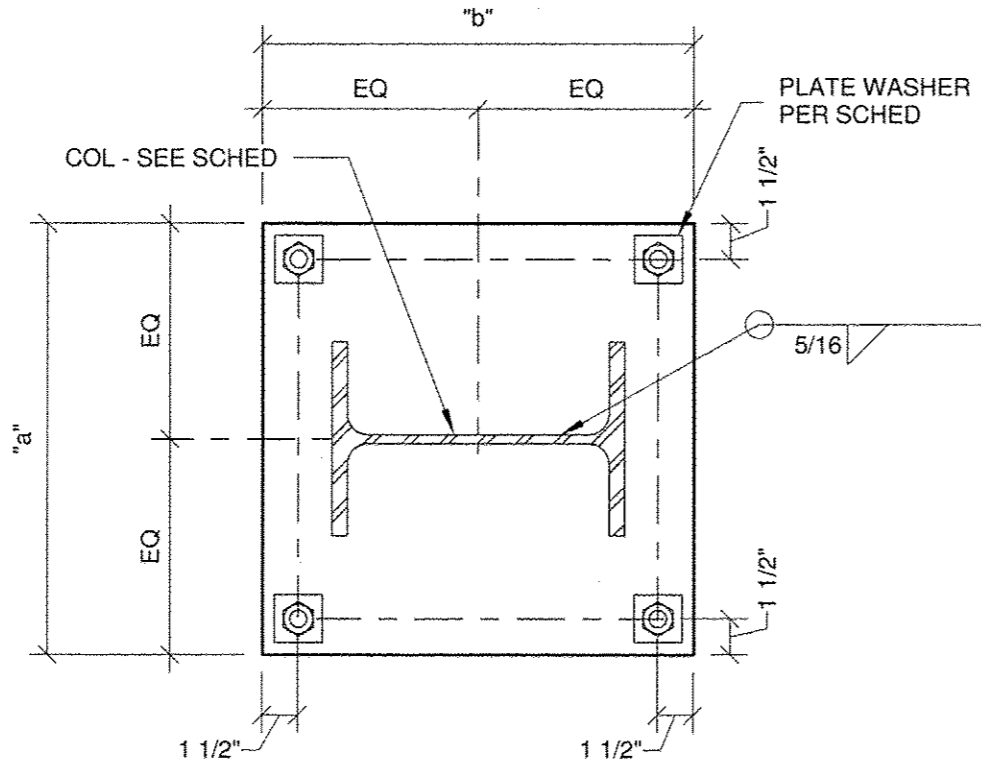


TYP ELEVATION VIEW

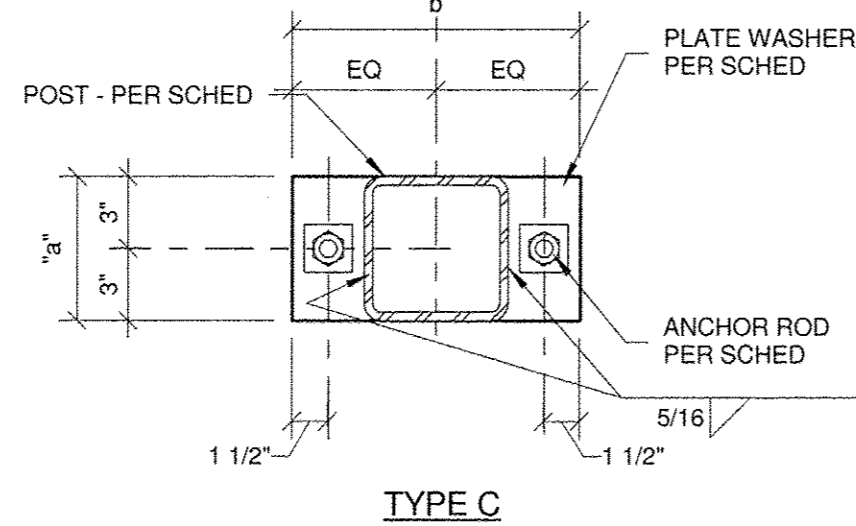
19 TYPICAL BASE PLATE DETAILS



TYPE A

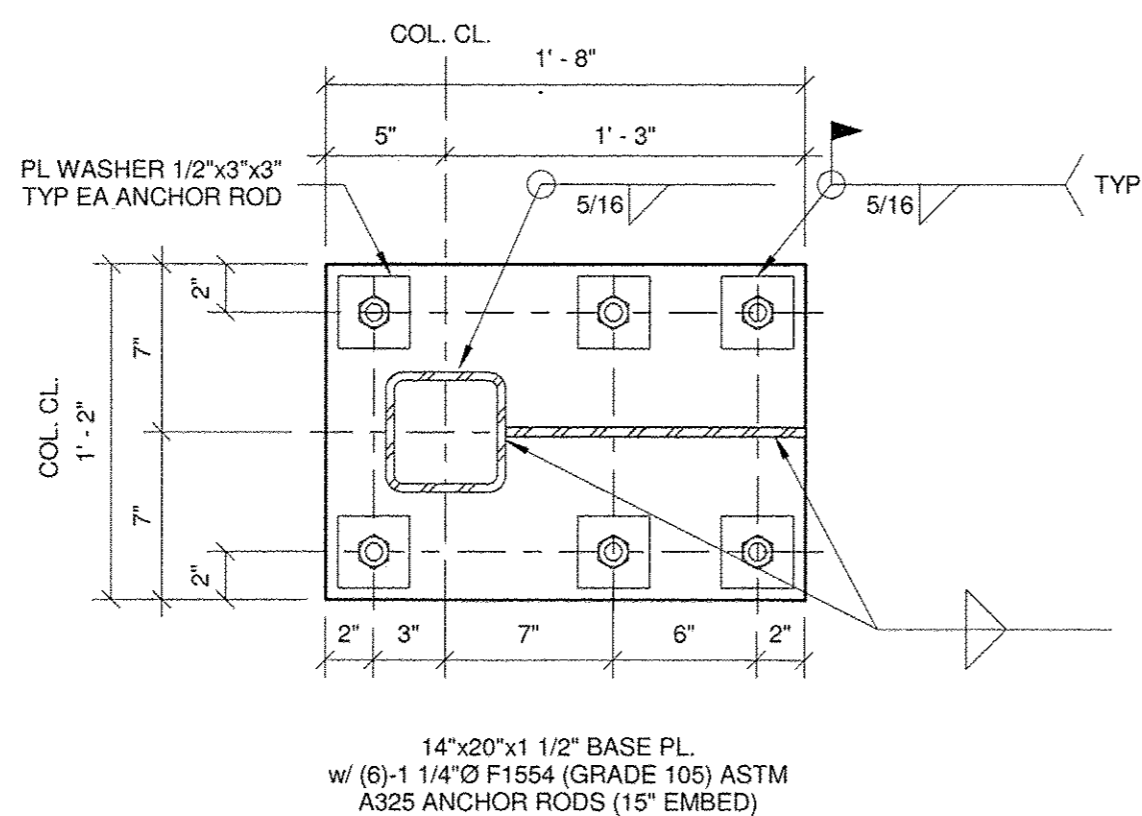


TYPE B



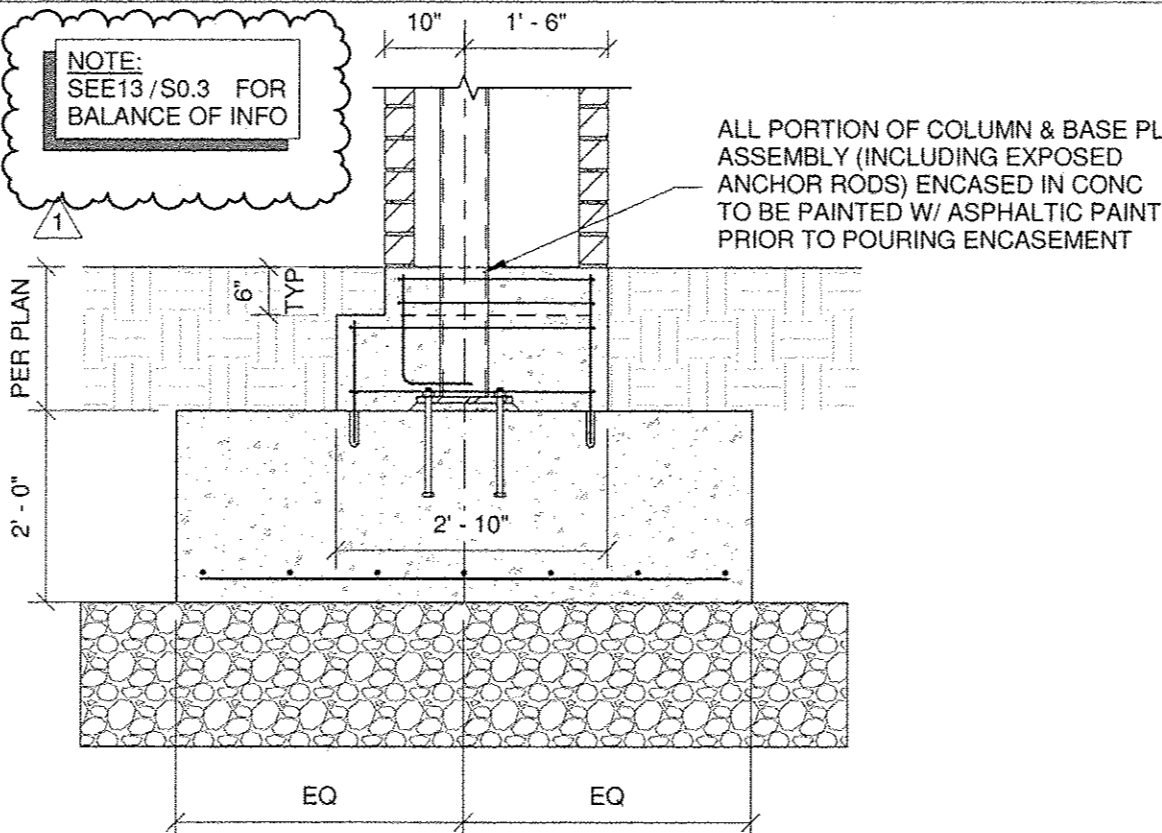
TYPE C

14 BASE PLATE DETAIL @ BRACE FRAME COLUMN UNO



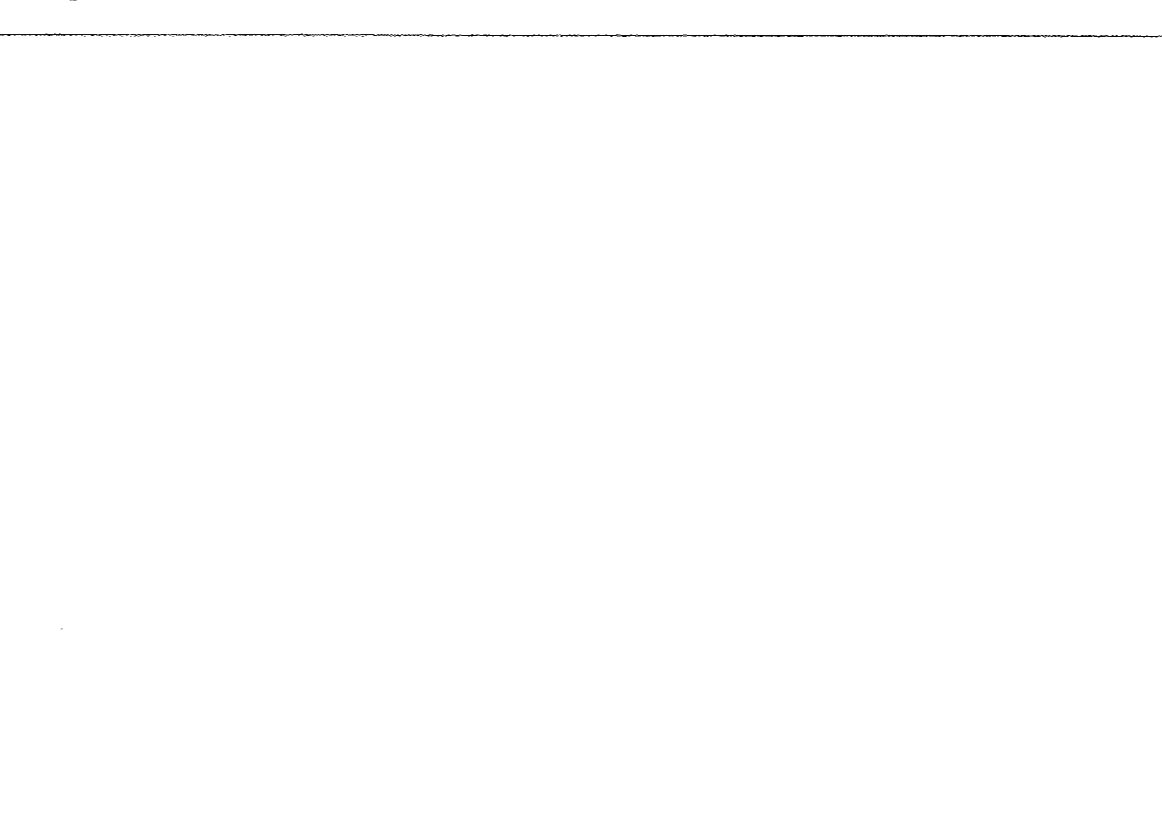
12 COLUMN ENCASEMENT DETAIL

SCALE: 1/2" = 1'-0"



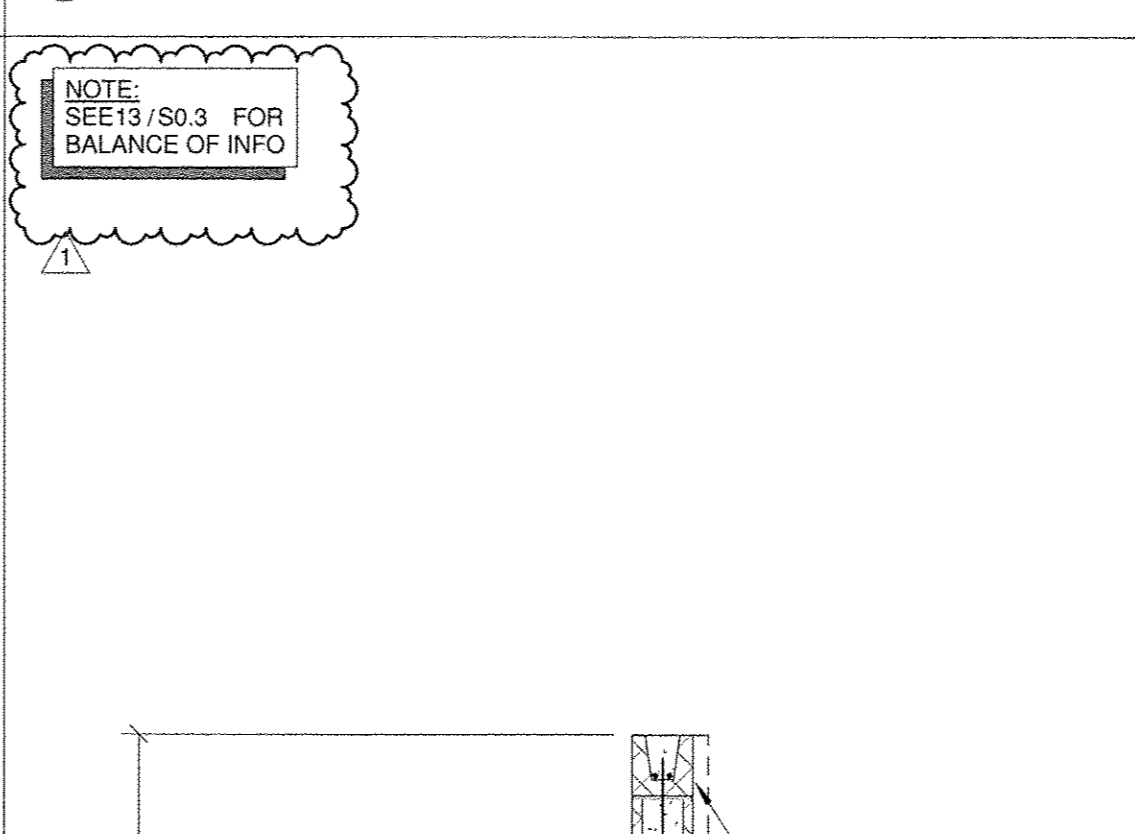
11 COLUMN ENCASEMENT DETAIL

SCALE: 1/2" = 1'-0"



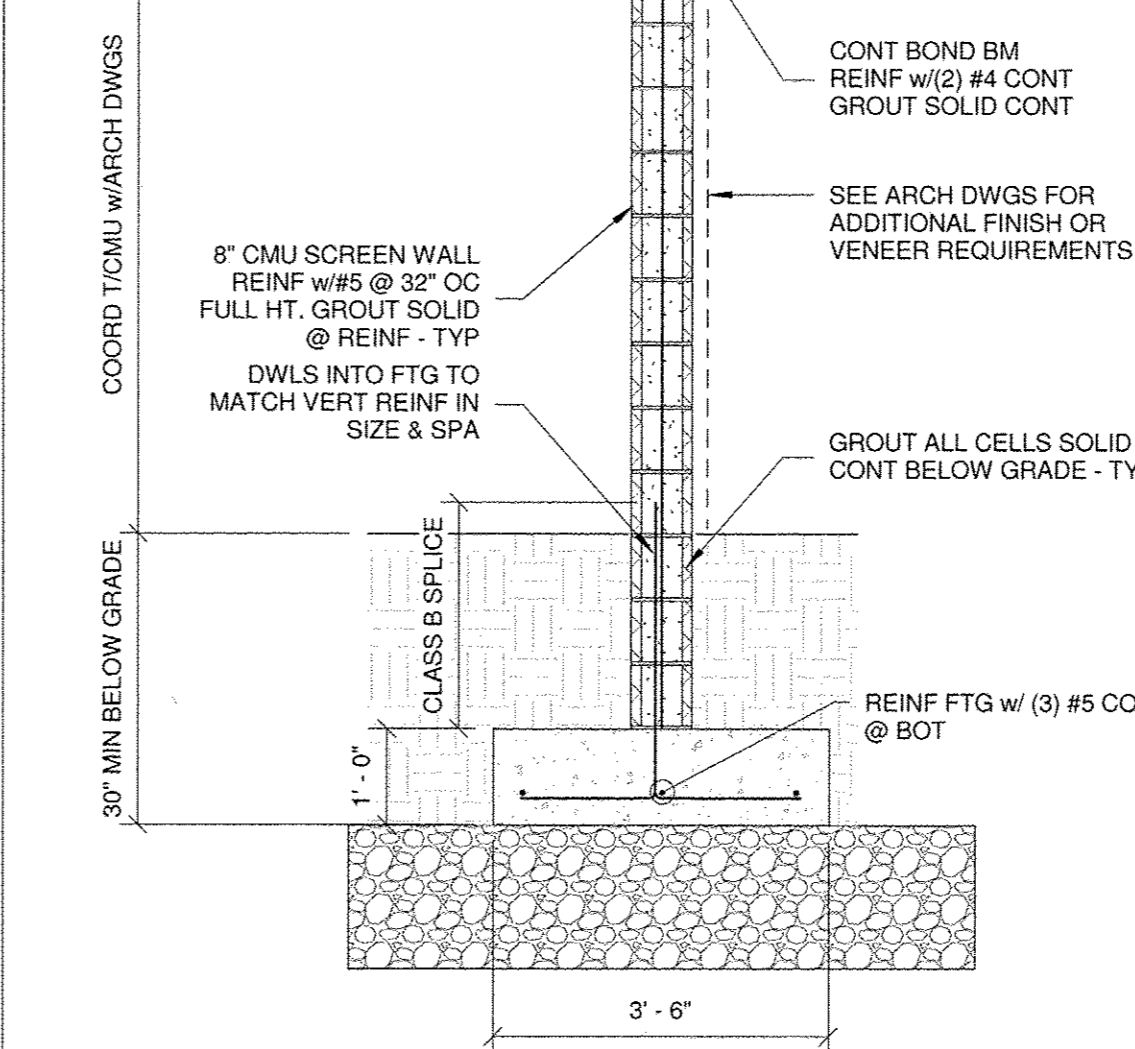
7 TYP 12" CMU MEZZANINE WALL SECTION @ BRICK

SCALE: 1/2" = 1'-0"



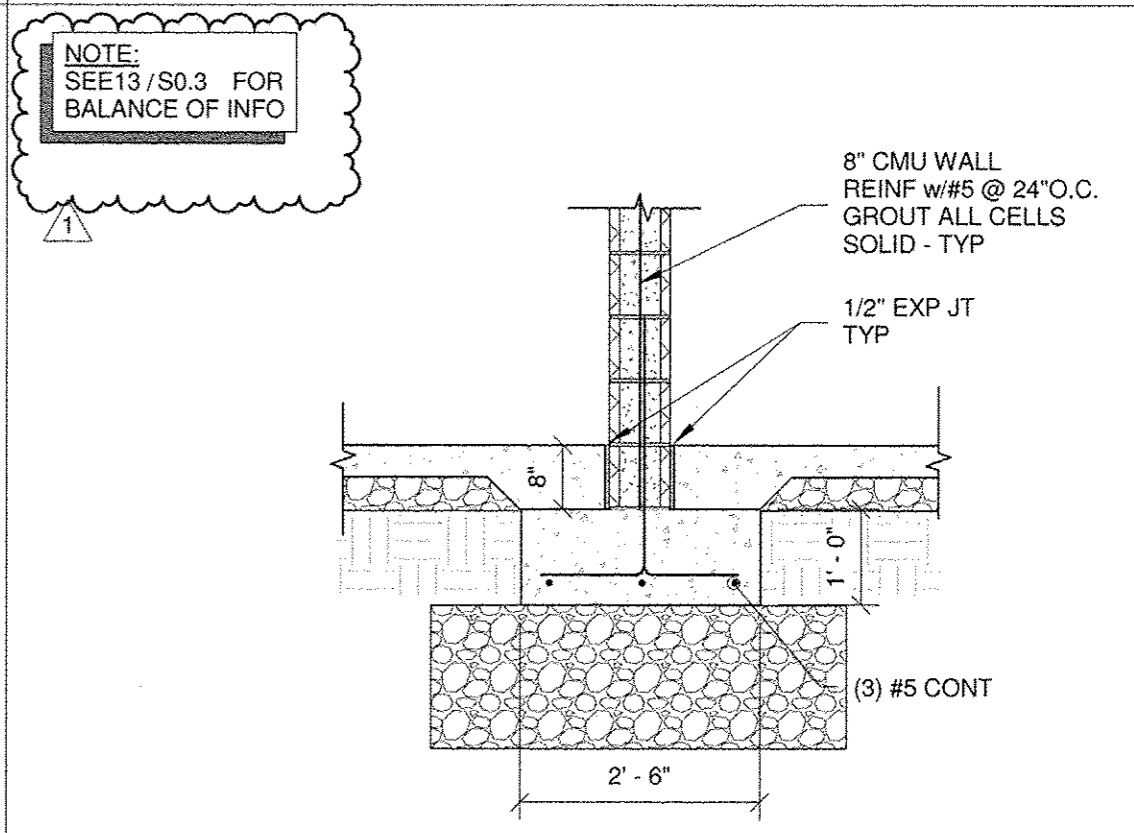
5 MASONRY SCREEN WALL

SCALE: 1/2" = 1'-0"



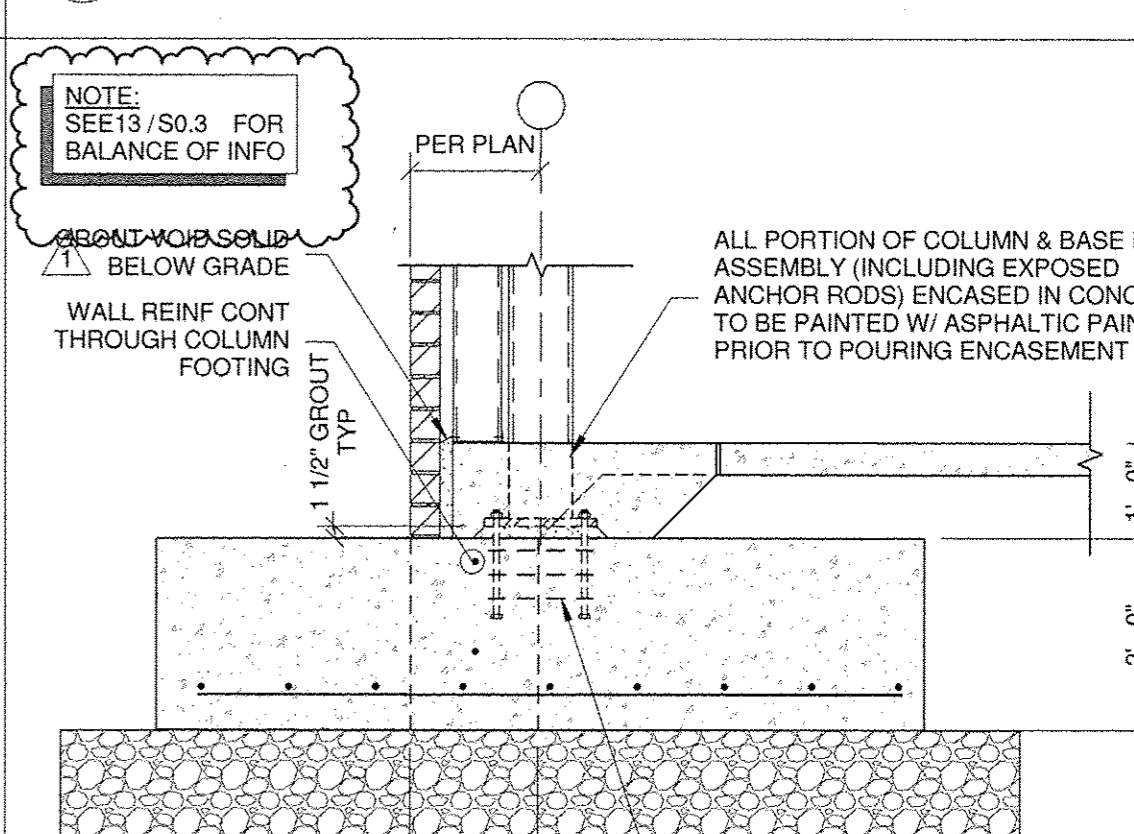
4 TYP FOUNDATION SECTION @ DOOR

SCALE: 1/2" = 1'-0"



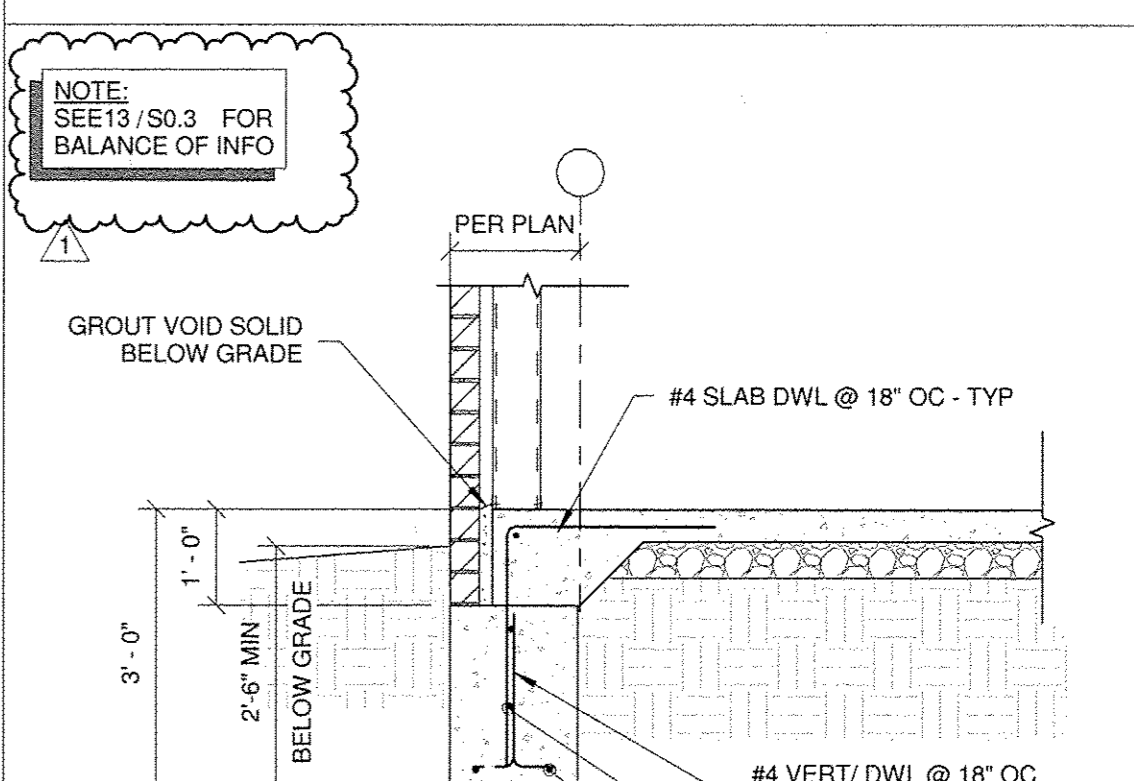
3 TYP 12" CMU MEZZANINE WALL SECTION

SCALE: 1/2" = 1'-0"



2 TYP FOUNDATION SECTION @ COLUMN

SCALE: 1/2" = 1'-0"



1 TYP FOUNDATION SECTION

SCALE: 1/2" = 1'-0"



The Civil and Structural Engineers, Inc. is the Consultant to which they are Allowed, and Economic Decision any Responsibility for all other Plans, Specifications, Estimates, intended to be used for any part or parts of the Architectural or Engineering Project. Copyright © 2018 by SSC Engineering, Inc.

2017349 - BID/PERMIT SET - 09-12-18

CENTRAL MISSOURI PROFESSIONAL SERVICES, INC.
 CIVIL ENGINEER
 MISSOURI STATE CERTIFICATE OF AUTHORITY #
 SSC ENGINEERING, INC.
 MECHANICAL/ELECTRICAL/PLUMBING ENGINEER
 MISSOURI STATE CERTIFICATE OF AUTHORITY #001244
 SSC ENGINEERING, INC.
 MISSOURI STATE CERTIFICATE OF AUTHORITY #001244

The Architects Alliance inc.
 Missouri State Certificate of Authority # 000143
 631 West Main Street
 Jefferson City, Missouri
 (573) 636-5000 phone

STRUCTURAL FOUNDATION SECTIONS

MISSOURI SOYBEAN INNOVATION CENTER
 NEW OFFICE BUILDING
 734 S. COUNTRY CLUB DRIVE
 JEFFERSON CITY, MISSOURI

PROJECT NO. 1613
 DATE: SEPT. 12, 2018

S3.1