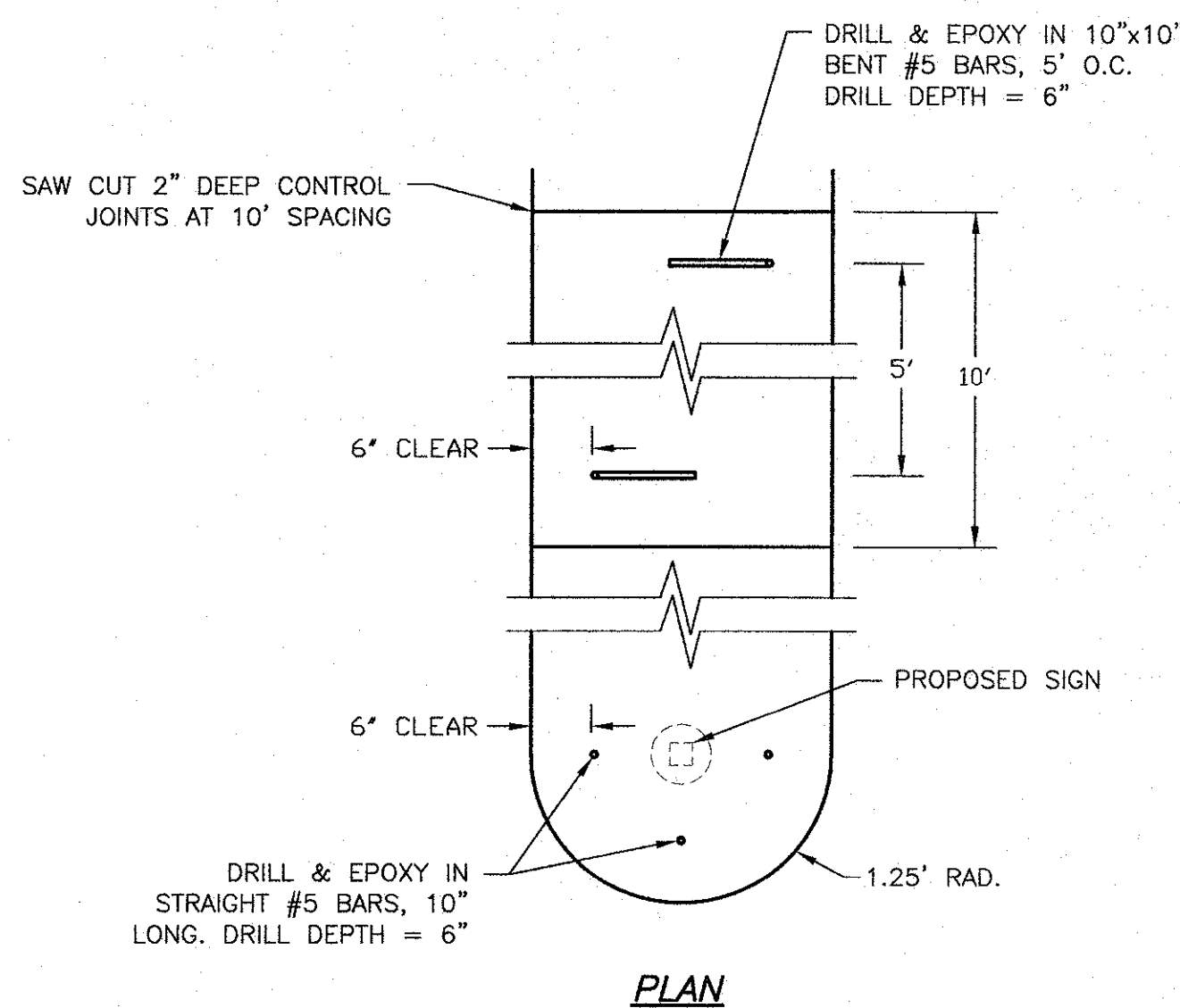


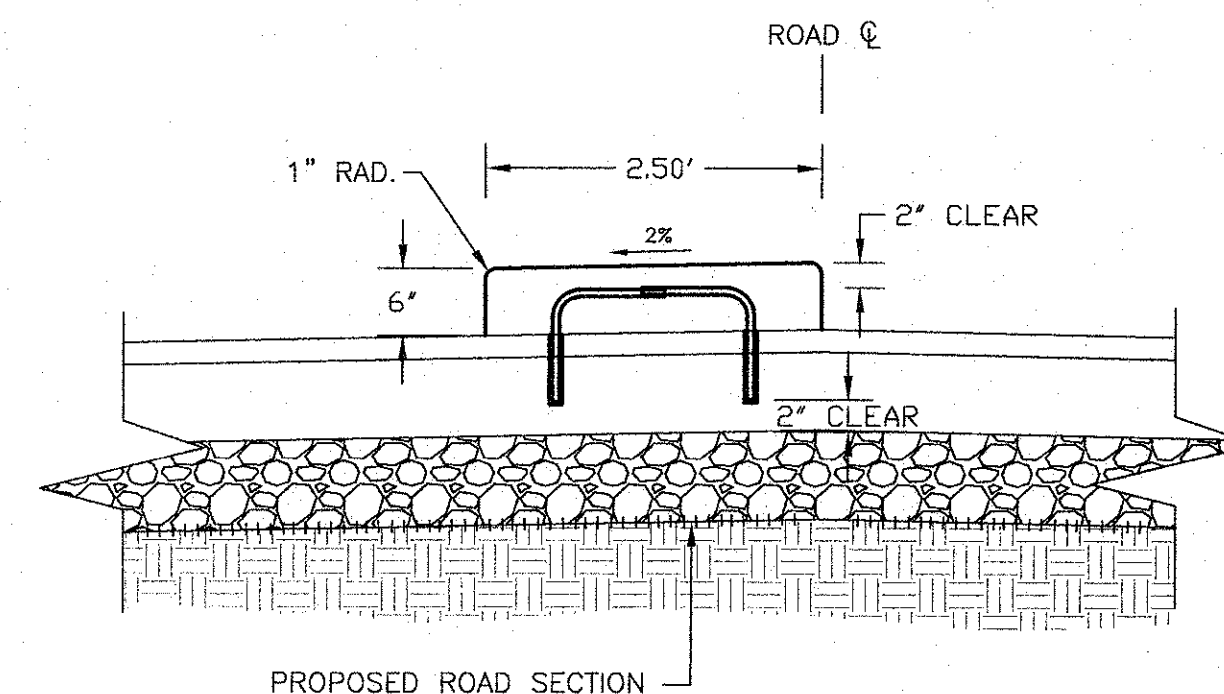
ROAD WING NOTES:

- ① COMPACT SUBGRADE, INSTALL AND COMPACT 4" LAYER OF 1 1/2" MINUS AGGREGATE BASE, AND INSTALL 6" THICK, 4000 PSI CONCRETE PAVEMENT. AGGREGATE BASE SHALL EXTEND 1' PAST EDGE OF PAVEMENT.
- ② DRILL AND EPOXY OR PLACE #4 BARS, 15" LONG, 10" O.C.
- ③ INSTALL AND COMPACT 6" THICK, 2" MINUS AGGREGATE SURFACE. SURFACE SHALL HAVE A 4% CROSS SLOPE.
- ④ TAPER CURB HEIGHT TO ZERO OVER 5 FOOT LENGTH.

WEST ROAD WING DETAIL
NO SCALE

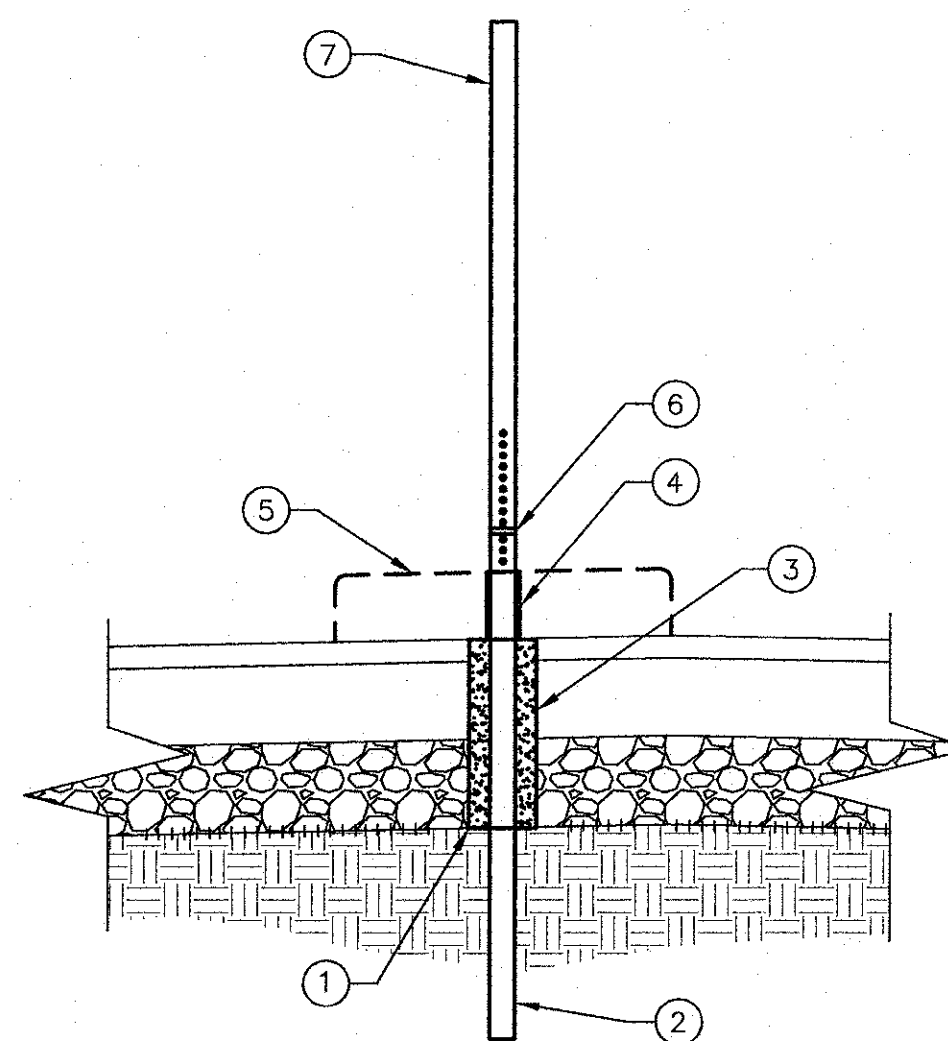


PLAN



SECTION

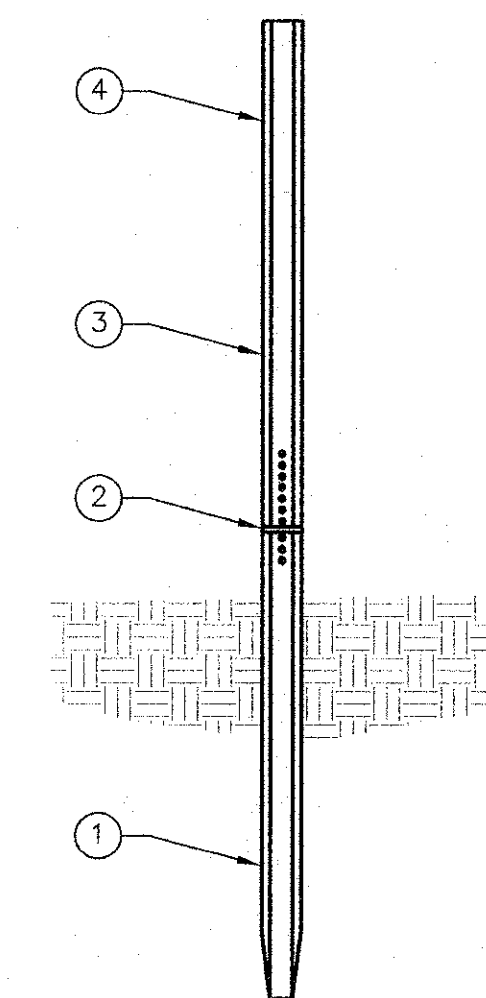
CONCRETE ISLAND DETAIL
NO SCALE



CONCRETE ISLAND SIGN DETAIL
NO SCALE

ISLAND SIGN NOTES:

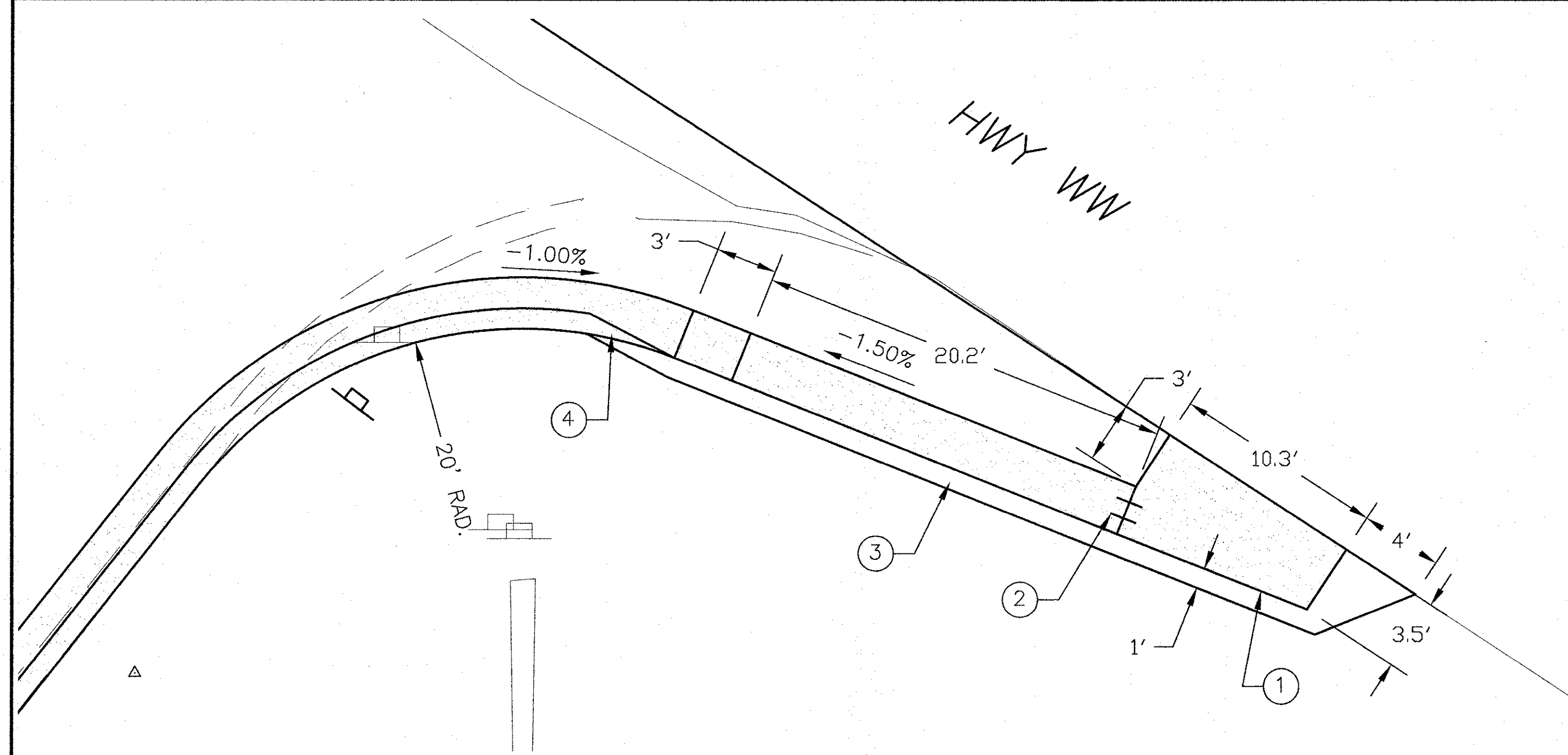
- ① CORE 6" DIA. HOLE THROUGH ASPHALT PAVEMENT, AGGREGATE BASE, AND GEOTEXTILE.
- ② DRIVE 45" LONG, 12 GA., 2"x2" PERFORATED SQUARE STEEL TUBE (PSST) ANCHOR POST A MINIMUM OF 18" INTO SUBGRADE. A MAX OF 10" SHALL PROTRUDE PAST SURFACE OF ASPHALT.
- ③ INSTALL HIGH STRENGTH, NON SHRINK GROUT INTO BORE HOLE TO ASPHALT SURFACE.
- ④ SURROUND ANCHOR POST WITH 1/2" RUBBERIZED EXPANSION MATERIAL.
- ⑤ POUR CONCRETE ISLAND PER "CONCRETE ISLAND DETAIL." A MAX OF 4" OF ANCHOR POST SHALL EXTEND PAST SURFACE OF ISLAND. DO NOT ALLOW CONCRETE TO ENTER THE LAST 6" OF THE PSST ANCHOR.
- ⑥ INSTALL SNAP'n SAFE S175 BREAKAWAY DEVICE OR APPROVED EQUAL.
- ⑦ INSTALL 12 GA., 1 3/4" PSST. REINSTALL EXISTING SIGNS AT PRE-RECORDED HEIGHTS.



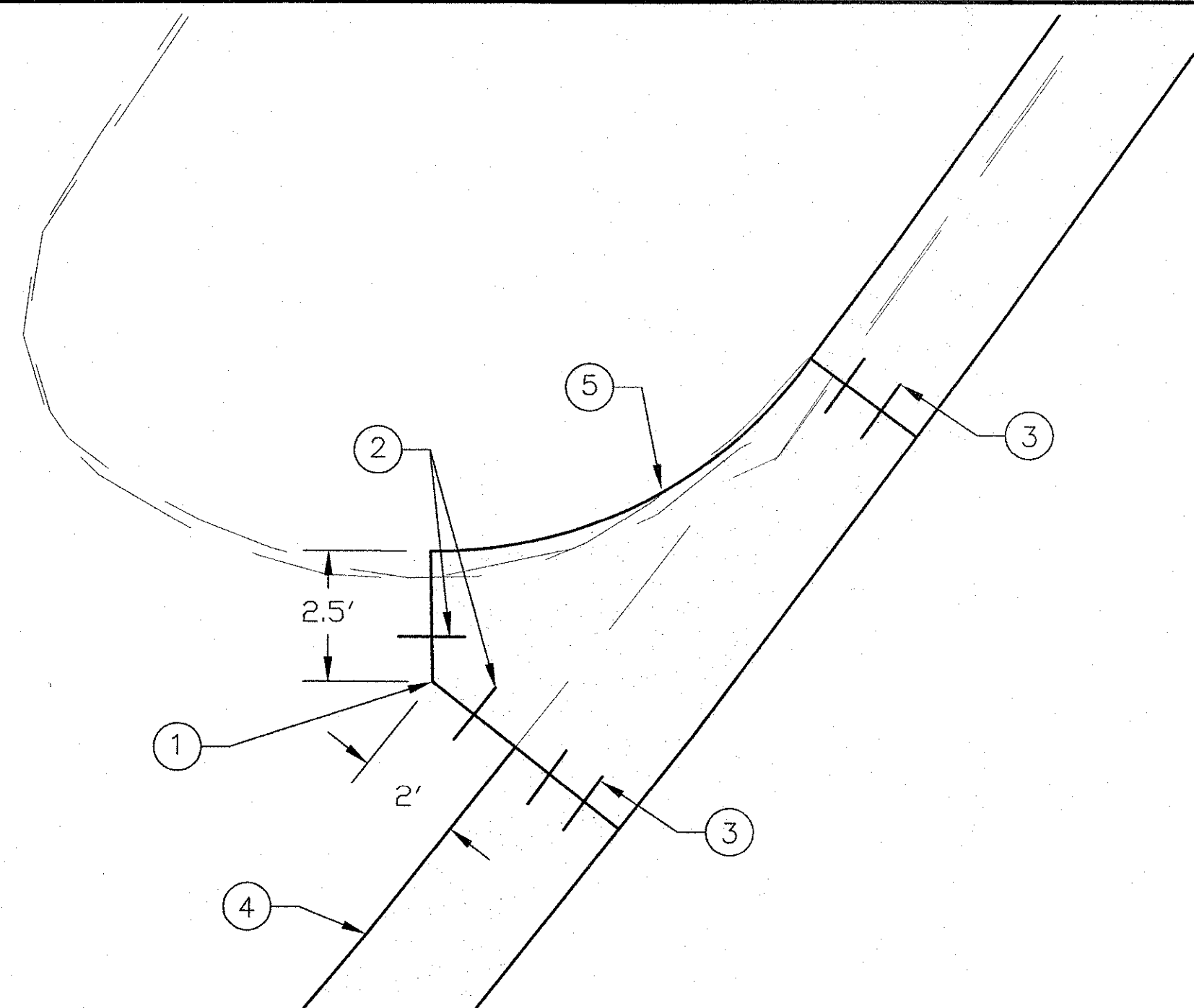
STOP SIGN POST NOTES:

- ① DRIVE 42" LONG, 3 LB./FT. GALVANIZED U-CHANNEL. LEAVE 4" MAX EXPOSED ABOVE GROUND SURFACE.
- ② INSTALL SNAP'n SAFE SUB800 BREAK AWAY DEVICE OR APPROVED EQUAL.
- ③ INSTALL 3 LB./FT. GALVANIZED U-CHANNEL.
- ④ REINSTALL SQUARE POST WITH STREET NAME SIGN AND STOP SIGN TO PRE-RECORDED HEIGHT.

STOP SIGN POST DETAIL
NO SCALE



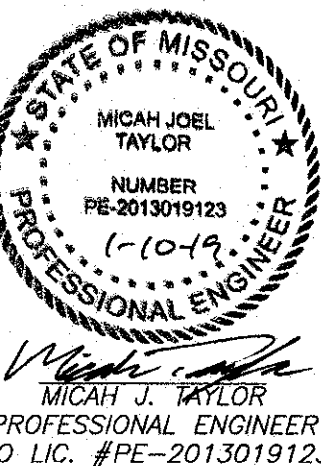
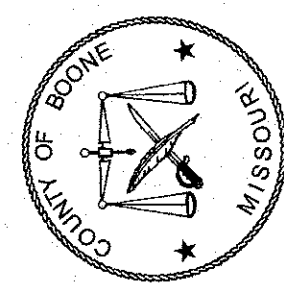
EAST ROAD WING DETAIL
NO SCALE



PARKING LOT WING DETAIL
NO SCALE

PARKING LOT WING NOTES:

- ① FULL DEPTH SAW CUT EXISTING DRIVEWAY.
- ② DRILL AND EPOXY #4 BARS, 15" LONG INTO EXISTING DRIVEWAY SLAB.
- ③ DRILL AND EPOXY OR PLACE #4 BARS, 15" LONG, 10" O.C.
- ④ INSTALL 1/2" RUBBERIZED EXPANSION MATERIAL.
- ⑤ POUR 6" THICK, 4000 PSI CONCRETE PARKING LOT WING. MATCH EXISTING BACK OF CURB RADIUS. BLEND EXISTING BARRIER CURB INTO PROPOSED BARRIER OR PROPOSED ROLLBACK CURB.



REVISIONS	DATE

DATE	JAN. 2019
JOB NUMBER	
SCALE	