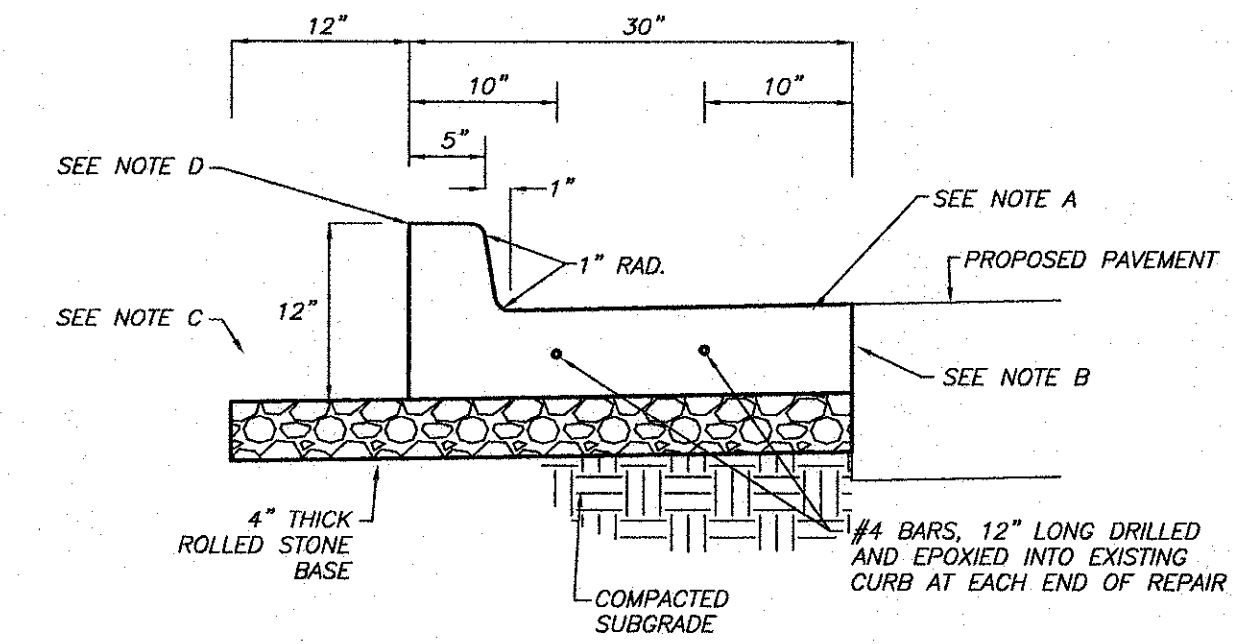


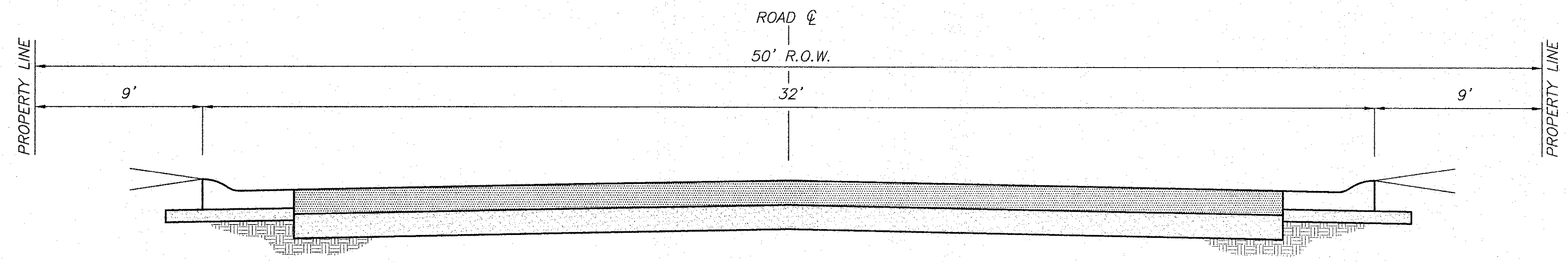
ROLLBACK CURB REPAIR DETAIL
NO SCALE

- A. NEW CURB AND GUTTER SHALL MATCH EXISTING CURB IN TERMS OF CURB HEIGHT AND RADII DIMENSIONS.
- B. APPLY TACK COAT TO GUTTER FACE PRIOR TO INSTALLING ASPHALT PAVEMENT. WORK SHALL BE PART OF TACK COAT BID ITEM. SEE SPECIAL PROVISIONS FOR MORE DETAILS.
- C. PLACE AND COMPACT NATIVE BACKFILL MATERIAL BEHIND CURB. LEAVE LAST 4" IN HEIGHT TO BE FILLED PER "RESTORATION" BID ITEM.
- D. CURB HEIGHT SHALL BE MATCHED TO EXISTING ELEVATIONS AT DRIVEWAYS. THIS MAY REQUIRE A CURB HEIGHT NEAR ZERO AT SOME LOCATIONS.

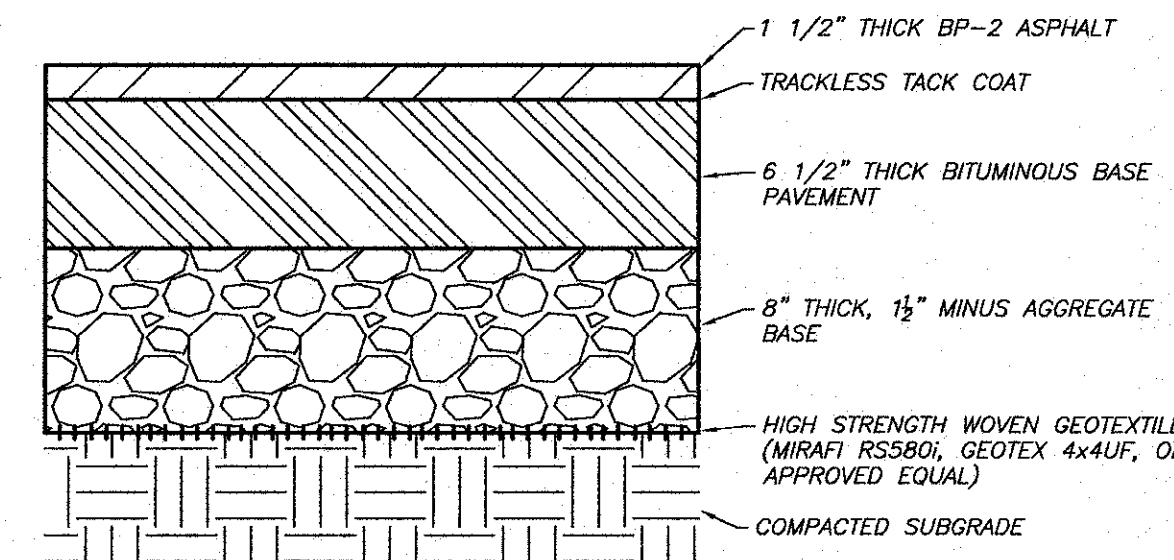


BARRIER CURB REPAIR DETAIL
NO SCALE

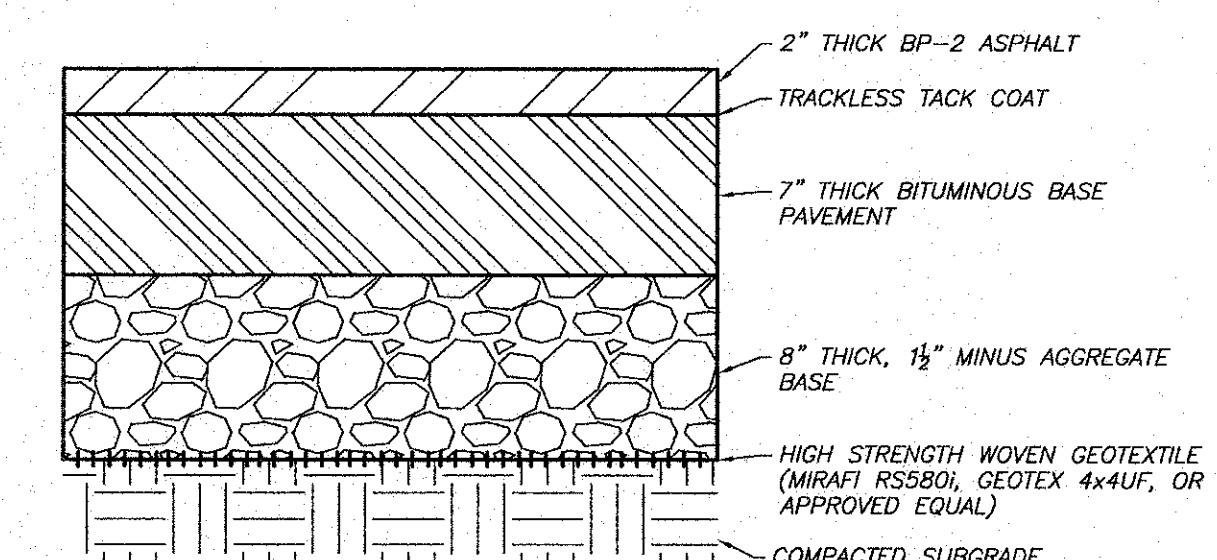
- A. NEW CURB AND GUTTER SHALL MATCH EXISTING CURB IN TERMS OF CURB HEIGHT AND RADII DIMENSIONS.
- B. APPLY TACK COAT TO GUTTER FACE PRIOR TO INSTALLING ASPHALT PAVEMENT. WORK SHALL BE PART OF TACK COAT BID ITEM. SEE SPECIAL PROVISIONS FOR MORE DETAILS.
- C. PLACE AND COMPACT NATIVE BACKFILL MATERIAL BEHIND CURB. LEAVE LAST 4" IN HEIGHT TO BE FILLED PER "RESTORATION" BID ITEM.
- D. CURB HEIGHT SHALL BE MATCHED TO EXISTING ELEVATIONS AT DRIVEWAYS. THIS MAY REQUIRE A CURB HEIGHT NEAR ZERO AT SOME LOCATIONS.



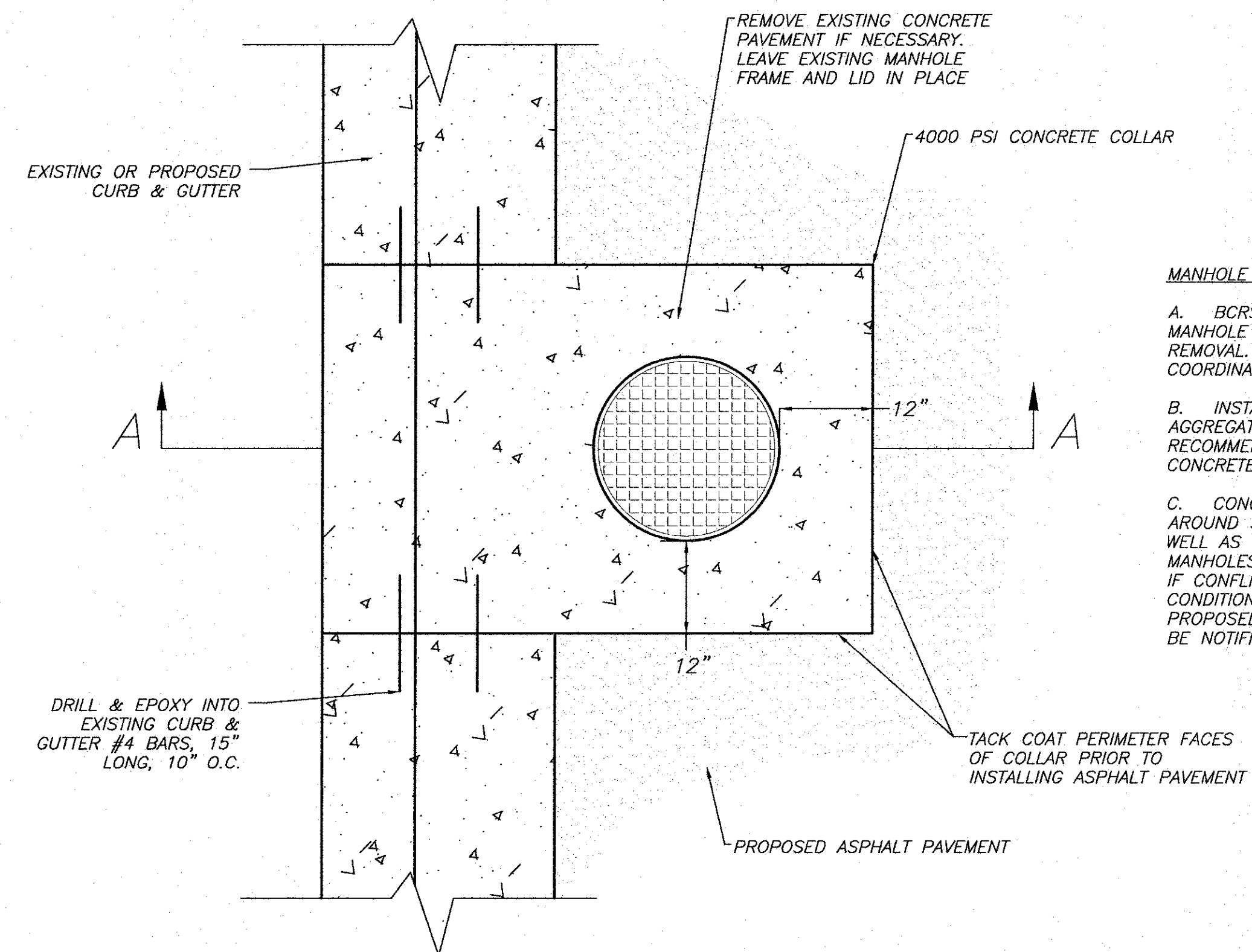
STANDARD ROAD CROSS SECTION
NO SCALE



STANDARD ASPHALT ROAD SECTION
NO SCALE



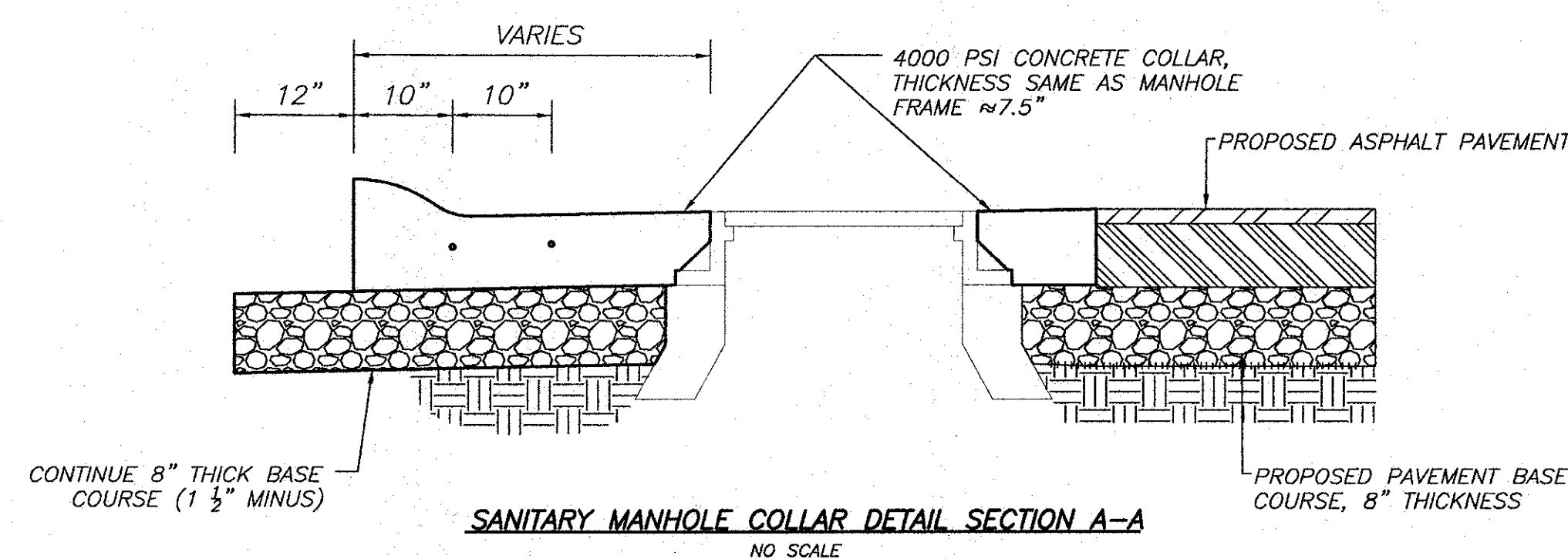
EL CHAPARRAL ENTRANCE ROAD SECTION
NO SCALE



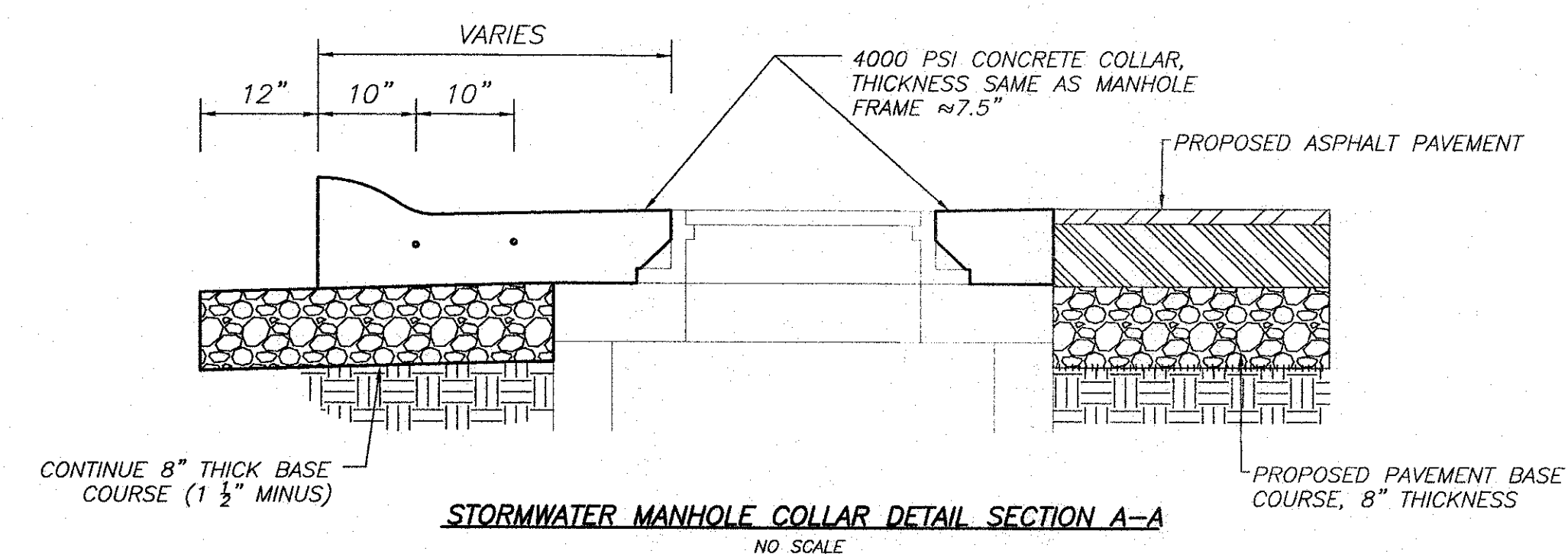
MANHOLE COLLAR DETAIL
NO SCALE

MANHOLE COLLAR NOTES:

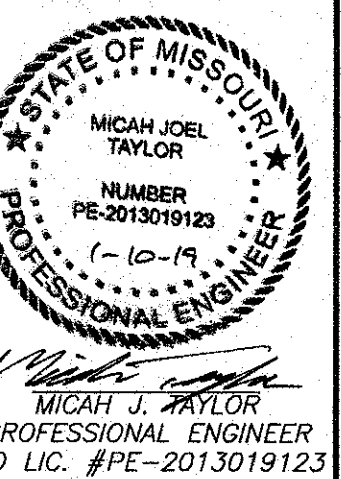
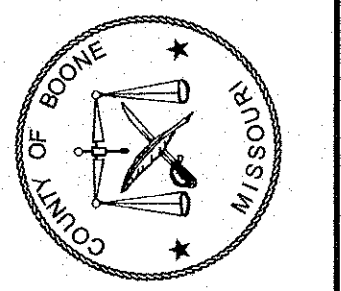
- A. BCRSD WILL BE CONDUCTING MANHOLE MAINTENANCE AHEAD OF STREET REMOVAL. CONTRACTOR SHALL COORDINATE SCHEDULING WITH BCRSD.
- B. INSTALLATION OF THE STREET AGGREGATE BASE COURSE IS RECOMMENDED PRIOR TO POURING CONCRETE COLLAR
- C. CONCRETE COLLARS WILL BE PLACED AROUND SANITARY SEWER MANHOLES AS WELL AS STORMWATER JUNCTION BOX MANHOLES AS PER SECTION A-A DETAILS. IF CONFLICT ARISES FROM FIELD CONDITIONS BEING DIFFERENT THAN PROPOSED DETAILS THE ENGINEER SHALL BE NOTIFIED.



SANITARY MANHOLE COLLAR DETAIL SECTION A-A
NO SCALE



STORMWATER MANHOLE COLLAR DETAIL SECTION A-A
NO SCALE



REVISIONS	
NO.	DATE

DATE
JAN. 2019

JOB NUMBER

SCALE
1"=40'

SHEET
22
22 OF 24